



***EMC* EMISSION - TEST REPORT**

JQA APPLICATION No. : KL80030484

Name of Product : 2.4GHz Frequency Hopping Spread Spectrum Cordless Telephone
(Handset)

Model/Type No. : KX-TG2356

FCC ID : ACJ96NKX-TG2356

Applicant : Panasonic Communications Co., Ltd.

Address : 1-62, 4-chome, Minoshima, Hakata-ku, Fukuoka 812-8531, Japan

Manufacturer : Panasonic Communications Co., Ltd.

Address : 1-62, 4-chome, Minoshima, Hakata-ku, Fukuoka 812-8531, Japan

Receive date of EUT : October 24, 2003

Final Judgement : **Passed**

TEST RESULTS IN THIS REPORT are obtained in use of equipment that is traceable to National Institute of Advanced Industrial Science and Technology (AIST) under METI Japan and Communications Research Lab. (CRL) under MPHPT Japan.

THE TEST RESULTS only responds to the test sample. This test report shall not be reproduced except in full.

Authorized by:

Takashi Yamanaka, Director
JQA KITA-KANSAI Testing Center

DIRECTORY

	Page
A) Documentation	
Directory	<u>2</u>
Test Regulation / General Information	<u>3 - 5</u>
Test Conditions	<u>6 - 16</u>
Configuration of EUT / Operation mode of the EUT	<u>17 - 18</u>
EUT Modification / Responsible Party / Deviation from Standard	<u>19</u>
Test results / Measurement Uncertainty	<u>20 - 22</u>
Summary	<u>23</u>
Test System-Arrangement (Drawings)	<u>24</u>
Preliminary Test and Test-setup (Drawings)	<u>25 - 28</u>
Test-setup (Photographs) at worst case	<u>29</u>
B) Test data	
Conducted Emission	150 kHz - 30 MHz <u>30</u>
Electromagnetic Field Radiated Emission	9 kHz - 25 GHz <u>31 - 34</u>
Maximum Peak Power (EIRP)	<u>35</u>
Transmitter Power (TP)	<u>36</u>
Antenna Gain of the EUT	<u>37</u>
-20dB Bandwidth	<u>38</u>
Band-edge Emission	<u>39</u>
Carrier Frequencies Separation	<u>40</u>
Channel Separation / Dwell Time	<u>41</u>

TEST REGULATION

FCC Rules and Regulations Part 15 Subpart A and C (July 22, 2003)

- Class A Digital Device
- Class B Digital Device
- Intentional Radiator (Sec.15.247)
- Receiver

Test items:

- Sec.15.203 : Antenna requirement
- Sec.15.205 : Restricted bands of operation
- Sec.15.207 : Conducted limits
- Sec.15.209 : Radiated emission limits general requirements
- Sec.15.214 : Cordless Telephones
- Sec.15.247 : Operation within the bands 902-928MHz, 2400-2483.5MHz, 5725-5875MHz, and 24.0-24.25GHz

Test procedure:

The test were performed according to the procedures in ANSI C63.4-2001.

GENERAL INFORMATION

Test facility:

- 1) Test Facility located at Kita-Kansai : 1st Open Sites (3 m Site)
Test Facility located at Kameoka : 1st Open Site (3, 10 and 30 m, on common plane)
: 2nd Open Site (3 and 10 m, on common plane)

FCC filing No. : 31040/SIT 1300F2

- 2) KITA-KANSAI TESTING CENTER is recognized under the National Voluntary Laboratory Accreditation Program for satisfactory compliance established in Title 15, Part 285 Code of Federal Regulations.

NVLAP Lab Code: 200191-0

- 3) Average Measurement Method
FCC filing No. : 950523A 1300F2

Definitions for symbols used in this test report:

- Black box indicates that the listed condition, standard or equipment is applicable for this Report.
- Blank box indicates that the listed condition, standard or equipment is not applicable for this Report.

Description of the Equipment Under Test (EUT):

- 1) Name : 2.4GHz Frequency Hopping Spread Spectrum Cordless Telephone (Handset)
- 2) Model/Type No. : KX-TG2356
- 3) Product Type : Pre-Production
- 4) Category : Intentional Radiator
- 5) EUT Authorization : - Verification - Certification - D.o.C.
- 6) Transmitting Frequency : 2400.914355 MHz (01ch) - 2480.292773 MHz (90ch)
- 7) Receiving Frequency : 2400.914355 MHz (01ch) - 2480.292773 MHz (90ch)
- 8) Method/System : Frequency Hopping Spread Spectrum (FHSS)
- 9) Type of Antenna : Shorten Dipole Antenna
- 10) Antenna Gain : 2 dBi
- 11) Measured MAX Output Power : 60.3mW (Conducted)
- 12) Power Rating : DC3.6V 830mAh(Ni-MH Battery Pack, HHR-P104)
: AC 120V 60Hz 1 ϕ 2-pin plug (AC Adapter : KX-TCA1)

Detailed Transmitter portion (Channel plan):

Transmitting frequency : 2400.914355 MHz (01ch) - 2480.292773 MHz (90ch)
 Number of channel : 90

CH	0	1	2	3	4	5	6	7	8	9
0	--	2400.914355	2401.808203	2402.698096	2403.591943	2404.481836	2405.375684	2406.265576	2407.159424	2408.049316
10	2408.943164	2409.833057	2410.726904	2411.616797	2412.510645	2413.400537	2414.294385	2415.184277	2416.078125	2416.968018
20	2417.861865	2418.753736	2419.645935	2420.537806	2421.429677	2422.321548	2423.213419	2424.105290	2424.997161	2425.889032
30	2426.780566	2427.670459	2428.564307	2429.454199	2430.348047	2431.237939	2432.131787	2433.021680	2433.915527	2434.805420
40	2435.699268	2436.589160	2437.483008	2438.372900	2439.266748	2440.156641	2441.050488	2441.940381	2442.834229	2443.724121
50	2444.617969	2445.507861	2446.401709	2447.291602	2448.185449	2449.075342	2449.969189	2450.859082	2451.752930	2452.642822
60	2453.536670	2454.426563	2455.320410	2456.210303	2457.104150	2457.994043	2458.887891	2459.777783	2460.671631	2461.561523
70	2462.455371	2463.345264	2464.239111	2465.129004	2466.022852	2466.912744	2467.806592	2468.696484	2469.590332	2470.480225
80	2471.374072	2472.263965	2473.157813	2474.047705	2474.941553	2475.831445	2476.725293	2477.615186	2478.509033	2479.398926
90	2480.292773	--	--	--	--	--	--	--	--	--

Channel Separation : 891.871 kHz

Modulation System Information:

Spread Spectrum Method : Frequency Hopping
 Modulation : GFSK (Gaussian-shaped Binary Frequency Shift Keying)
 Hop Rate : 100 hops/sec.
 Bit Rate : 576 kBit/sec.
 Digital Security Code : 40 Bit

Time Division Multiple Access(TDMA) Frame structure.

The basic, repeating, frame structure is 10msec long. It is sub-divided into 8 slots, each 1250usec long. The active transmission time is 986.1usec. The first 4 slots from the “up-link” , when the Handsets transmit to the Base Unit. The last 4 slots form the “down-link” , when the Basetset transmits to the Handsets.

This system uses TDD (Time Division Duplex) to carry a two-way voice communication. This is always by using slot-pairs: 0 and 4, 1 and 5, 2 and 6, 3 and 7.

Each slot contains 568 bits of 1.736 usec duration, with 263.9 usec gap times between each slot.

Detailed Receiver portion:

Receiving frequency : 2400.914355 MHz (01ch) - 2480.292773 MHz (90ch)
 Local frequency : 2398.914355 MHz (01ch) - 2478.292773 MHz (90ch)
 Intermediate frequency : 2.000 MHz

Other used (generated) frequencies in the EUT:

Reference Clock : 13.824 MHz
 PLL1(2nd, Reference Clock) : 129.6 MHz

TEST CONDITIONS

AC Powerline Conducted Emission Measurement (Sec.15.207(a))
was performed in the following test site.

Test location:

KITA-KANSAI Testing Center

7-7, Ishimaru, 1-Chome, Mino-Shi, Osaka, 562-0027, Japan

● - Shielded room

KAMEOKA EMC Branch

9-1, Ozaki, Inukanno, Nishibetsuin-Cho, Kameoka-Shi, Kyoto, 621-0126, Japan

○ - Shielded room

○ - On metal plane of open site

Used test instruments and sites:

Model No.	Device ID	Last Cal. Date	Cal. Interval
○ - ESCS 30	A - 1		
● - ESH 2	A - 2	May, 2003	1 Year
○ - ESH 2	A - 3		
● - KNW-407	D - 6	October, 2003	1 Year
○ - KNW-408	D - 11		
○ - KNW-242	D - 7		
○ - ESH3-Z5	D - 12		
○ - KNW-341C	D - 13		
○ - KNW-408	D - 14		
○ - KNW-244C	D - 77		
○ - KNW-408	D - 78		
○ - ESH2-Z5	D - 10		
○ - ESH2-Z3	D - 17		
○ - 65 BNC-50-0-1	H - 26		
○ - 65 BNC-50-0-1	H - 27		
○ - Cable	H - 7		
● - Cable	H - 8	October, 2003	1 Year

Environmental conditions:

Temperature: 21 °C Humidity: 59 %

Magnetic Field Radiated Emission Measurement (Sec.15.247(c),15.205(a),15.209(a))

was performed in the frequency range of 9 kHz - 30 MHz, in the following test site.

Test location:

KITA-KANSAI Testing Center

7-7, Ishimaru, 1-Chome, Mino-Shi, Osaka, 562-0027, Japan

● - 1st open test site (3 meters)

KAMEOKA EMC Branch

9-1, Ozaki, Inukanno, Nishibetsuin-Cho, Kameoka-Shi, Kyoto, 621-0126, Japan

○ - 1st open test site ○ - 3 m ○ - 10 m ○ - 30 m
○ - 2nd open test site ○ - 3 m ○ - 10 m

Used test instruments:

Model No.	Device ID	Last Cal. Date	Cal. Interval
● - ESCS 30	A - 1	August, 2003	1 Year
○ - ESH 2	A - 2		
○ - ESH 2	A - 3		
● - HFH2-Z2	C - 2	July, 2003	1 Year
○ - HFH2-Z2	C - 3		
● - Cable	H - 28	July, 2003	1 Year
○ - Cable	H - 29		

Environmental conditions:

Temperature: 26 °C Humidity: 58 %

Electromagnetic Field Radiated Emission Measurement (Sec.15.247(c),15.205(a),15.209(a))

was performed in horizontal and vertical polarization, in the frequency range of 30 MHz - 1000 MHz, in the following test site.

Test location:

KITA-KANSAI Testing Center

7-7, Ishimaru, 1-Chome, Mino-Shi, Osaka, 562-0027, Japan

● - 1st open test site (3 meters)

KAMEOKA EMC Branch

9-1, Ozaki, Inukanno, Nishibetsuin-Cho, Kameoka-Shi, Kyoto, 621-0126, Japan

○ - 1st open test site ○ - 3 m ○ - 10 m ○ - 30 m

○ - 2nd open test site ○ - 3 m ○ - 10 m

Validation of Site Attenuation:

1) Last Confirmed Date : October 9, 2003

2) Interval : 1 Year

Used test instruments:

Model No.	Device ID	Last Cal. Date	Cal. Interval
● - ESV/ESV-Z3	A - 7 / A - 17	November, 2002	1 Year
○ - ESV/ESV-Z3	A - 6 / A - 18		
○ - ESV/ESV-Z3	A - 4 / A - 20		
○ - ESV/ESV-Z3	A - 8 / A - 19		
○ - ESVS 10	A - 5		
○ - KBA-511A	C - 11		
○ - KBA-611	C - 21		
● - VHA9103/BBA9106	C - 43	August, 2003	1 Year
● - UHALP9107	C - 42	August, 2003	1 Year
○ - VHA9103/FBAB9177	C - 25		
○ - UHALP9108-A1	C - 28		
● - Cable	H - 5	August, 2003	1 Year

Environmental conditions:

Temperature: 14 °C Humidity: 18 %

Electromagnetic Field Radiated Emission Measurement (Sec.15.247(c),15.205(a),15.209(a))

was performed in horizontal and vertical polarization, in the frequency range of 1 GHz - 25 GHz, in the following test site.

Test location:

KITA-KANSAI Testing Center

7-7, Ishimaru, 1-Chome, Mino-Shi, Osaka, 562-0027, Japan

● - 1st open test site (3 meters)

KAMEOKA EMC Branch

9-1, Ozaki, Inukanno, Nishibetsuin-Cho, Kameoka-Shi, Kyoto, 621-0126, Japan

○ - 1st open test site ○ - 3 m ○ - 10 m ○ - 30 m

○ - 2nd open test site ○ - 3 m ○ - 10 m

Used test instruments:

Model No.	Device ID	Last Cal. Date	Cal. Interval
● - ESCS 30	A - 1	August, 2003	1 Year
● - 8566B	A - 13	February, 2003	1 Year
○ - 8593A	A - 15		
○ - ESV	A - 6		
● - 4T-10	D - 73	May, 2003	1 Year
● - 4T-10	D - 74	May, 2003	1 Year
● - WJ-6611-513	A - 23	May, 2003	1 Year
● - WJ-6882-824	A - 21	May, 2003	1 Year
● - DBL-0618N515	A - 33	May, 2003	1 Year
● - 91888-2	C - 40 - 1	May, 2003	1 Year
● - 91889-2	C - 40 - 2	May, 2003	1 Year
● - 94613-1	C - 40 - 3	May, 2003	1 Year
● - 91891-2	C - 40 - 4	May, 2003	1 Year
● - 94614-1	C - 40 - 5	May, 2003	1 Year
● - 3160-09	C - 48	December, 2002	1 Year
● - 355C	D - 22	March, 2003	1 Year
● - 355D	D - 23	March, 2003	1 Year
● - MZ5010C	D - 81	December, 2002	1 Year
● - 8673D	B - 2	April, 2003	1 Year
● - Cable	C - 40 - 11	May, 2003	1 Year
● - Cable	C - 40 - 12	May, 2003	1 Year
● - UHP-127	D - 42	May, 2003	1 Year

Environmental conditions:

Temperature: 26 °C Humidity: 58 %

Maximum Peak Power (EIRP) Measurement (Sec.15.247(b)(1))

Test Procedure :

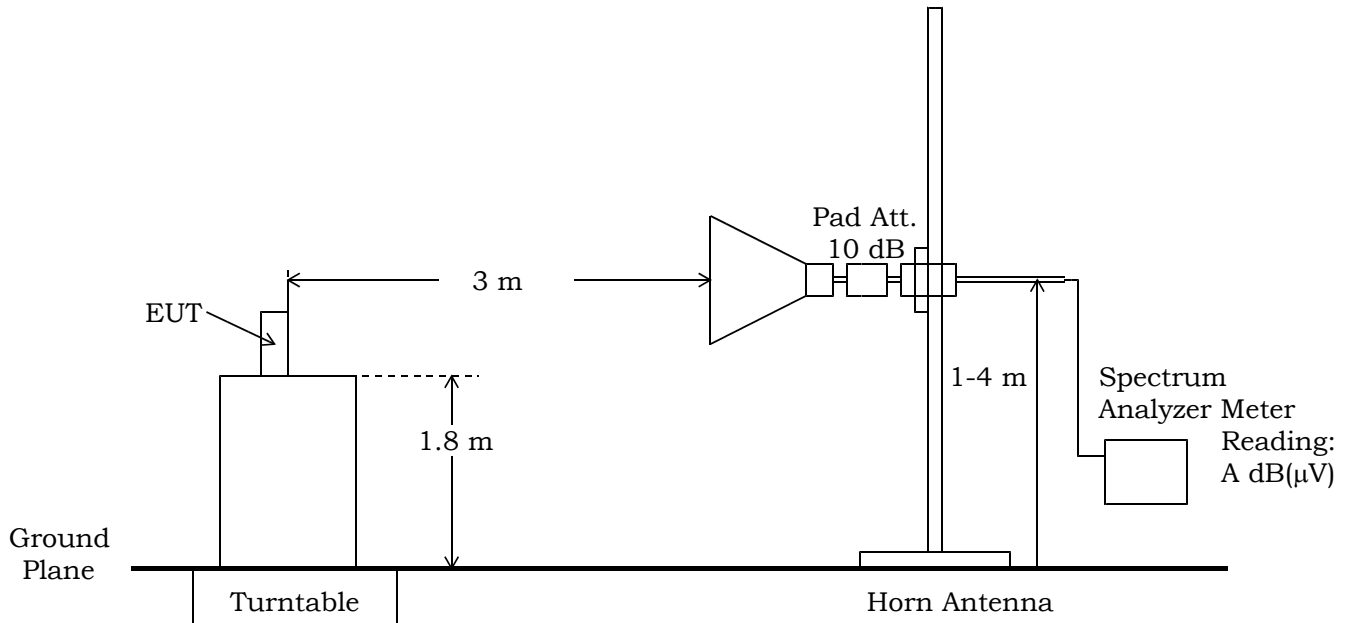
Step 1) The test was set-up shown as Fig.1 (a). In order to obtain the maximum emission, the EUT is placed at the height 1.8m on the non-conducted support, at the distance 3m from the receiving antenna (Horn Antenna) and rotated around 360 degrees. The receiving antenna height was varied from 1 m to 4 m. The EUT on the table was placed to be maximum emission against the receiving antenna polarized (Vertical and Horizontal). Then the meter reading of the spectrum analyzer at the maximum emission was A dB(μ V).

Step 2) The test was set-up shown as Fig.1 (b). The EUT was replaced to Horn antenna at the same polarized under the same condition as step 1. The RF power was fed to the transmitting Antenna (Horn Antenna) through the RF amplifier from the signal generator. In order to obtain the maximum emission level, the height of the receiving antenna is varied from 1 m to 4 m. The level of the signal generator was adjusted so that the meter reading of the spectrum analyzer at the maximum emission was A dB(μ V), same as the recorded level in step 1. Then the RF power into the substitution horn antenna was P(dBm).

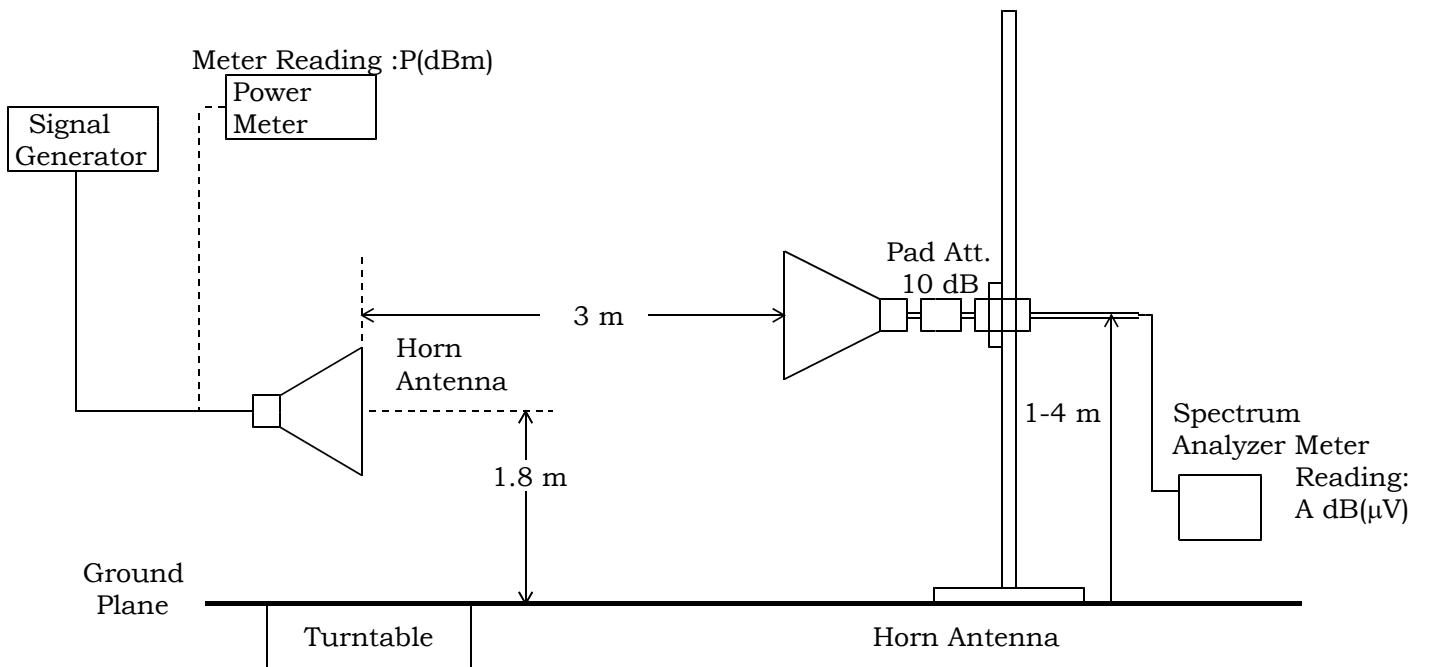
The EIRP is calculated in the following equation.

$$\text{EIRP (dBm)} = P \text{ (dBm)} + G_h \text{ (dBi)}$$

Where, G_h (dBi) : Gain of the substitution horn antenna



(a) EUT



(b) Substitution Horn Antenna

Fig.1 Maximum Transmitter Power (EIRP) Measurement

Test location:

KITA-KANSAI Testing Center

7-7, Ishimaru, 1-Chome, Mino-Shi, Osaka, 562-0027, Japan

● - 1st open test site (3 meters)

KAMEOKA EMC Branch

9-1, Ozaki, Inukanno, Nishibetsuin-Cho, Kameoka-Shi, Kyoto, 621-0126, Japan

○ - 1st open test site ○ - 3 m ○ - 10 m ○ - 30 m

○ - 2nd open test site ○ - 3 m ○ - 10 m

Used test instruments:

Model No.	Device ID	Last Cal. Date	Cal. Interval
○ - ESCS 30	A - 1		
○ - ESCS 30	A - 9		
● - 8566B	A - 13	February, 2003	1 Year
○ - 8593A	A - 15		
○ - ESV	A - 6		
● - 4T-10	D - 73	May, 2003	1 Year
○ - 4T-10	D - 74		
○ - 2-10	D - 79		
○ - 2-10	D - 80		
○ - WJ-6611-513	A - 23		
○ - WJ-6882-824	A - 21		
○ - DBL-0618N515	A - 33		
○ - 91888-2	C - 41 - 1		
● - 91889-2	C - 40 - 2	May, 2003	1 Year
● - 91889-2	C - 41 - 2	May, 2003	1 Year
○ - 94613-1	C - 40 - 3		
○ - 91891-2	C - 40 - 4		
○ - 94614-1	C - 40 - 5		
○ - 3160-09	C - 48		
○ - 355C	D - 22		
○ - 355D	D - 23		
○ - MZ5010C	D - 81		
● - Cable	C - 40 - 11	May, 2003	1 Year
● - Cable	C - 40 - 12	May, 2003	1 Year
● - E4417A	B - 51	August, 2003	1 Year
● - E9321A	B - 52	May, 2003	1 Year
● - MG3681A	B - 3	January, 2003	1 Year
○ - 6062A	B - 44		

Temperature: 26 °C Humidity: 58 %

Transmitter Power (TP) Measurement (Sec.15.247(b)(1))

Test Procedure :

The measurement test-setup is shown in the figure. The modulation is set to page 18.

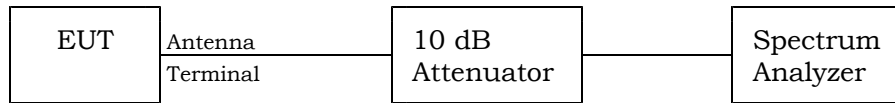


Fig.2 Transmitter Power Measurement

The setting of the spectrum analyzer are shown as follows :

Res. Bandwidth : 1 MHz
Video Bandwidth : 3 MHz
Span : 0 Hz
Sweep Time : 20 msec
Trace : Max. hold

Test location :

KITA-KANSAI Testing Center

7-7, Ishimaru, 1-Chome, Mino-Shi, Osaka, 562-0027, Japan

● - Shielded room

KAMEOKA EMC Branch

9-1, Ozaki, Inukanno, Nishibetsuin-Cho, Kameoka-Shi, Kyoto, 621-0126, Japan

○ - Shielded room

Used test instruments and sites :

Model No.	Device ID	Last Cal. Date	Cal. Interval
● - 8566B	A - 13	February, 2003	1 Year
○ - 6-20	D - 27		
○ - 2-10	D - 79		
● - 4T-10	D - 73	May, 2003	1 Year
○ - 4T-10	D - 74		

Environmental conditions :

Temperature: 29 °C Humidity: 46 %

-20dB Bandwidth Measurement (Sec.15.247(a)(1))

Test Procedure :

The measurement test-setup is shown in the figure. The modulation is set to page 18.

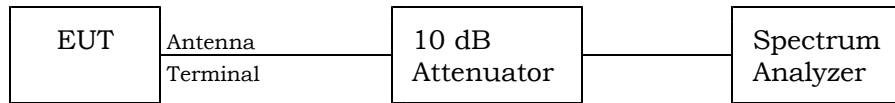


Fig.3 -20dB Bandwidth Measurement

The setting of the spectrum analyzer are shown as follows :

Res. Bandwidth : 10 kHz
Video Bandwidth : 30 kHz
Span : 2 MHz
Sweep Time : AUTO
Trace : Max. hold

Test location :

KITA-KANSAI Testing Center

7-7, Ishimaru, 1-Chome, Mino-Shi, Osaka, 562-0027, Japan

● - Shielded room

KAMEOKA EMC Branch

9-1, Ozaki, Inukanno, Nishibetsuin-Cho, Kameoka-Shi, Kyoto, 621-0126, Japan

○ - Shielded room

Used test instruments:

Model No.	Device ID	Last Cal. Date	Cal. Interval
● - 8566B	A - 13	February, 2003	1 Year
○ - 8593A	A - 15		
● - 4T-10	D - 73	May, 2003	1 Year
○ - 4T-10	D - 74		
○ - 2-10	D - 79		
○ - 2-10	D - 80		

Environmental conditions :

Temperature: 29 °C Humidity: 46 %

Band-edge Emission Measurement (Sec.15.247(c))

Test Procedure :

The measurement test-setup is shown in the figure. The modulation is set to page 18.

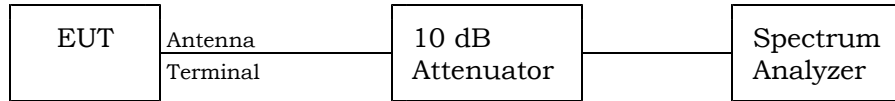


Fig.4 Band-Edge Emission Measurement

The setting of the spectrum analyzer are shown as follows :

Center Frequency : 2400 MHz / 2483.5 MHz
Res. Bandwidth : 100 kHz
Video Bandwidth : 300 kHz
Span : 2 MHz
Sweep Time : AUTO
Trace : Max. hold

Used test instruments:

Model No.	Device ID	Last Cal. Date	Cal. Interval
● - 8566B	A - 13	February, 2003	1 Year
○ - 8593A	A - 15		
● - 4T-10	D - 73	May, 2003	1 Year
○ - 4T-10	D - 74		
○ - 2-10	D - 79		
○ - 2-10	D - 80		

Environmental conditions :

Temperature: 29 °C Humidity: 46 %

Carrier Frequency Separation Measurement (Sec.15.247(a)(1))

Test Procedure :

The measurement test-setup is shown in the figure. The modulation is set to page 18.
The transmitting frequency is set to 2440.156641 MHz (45ch) and 2441.050488 MHz (46ch).

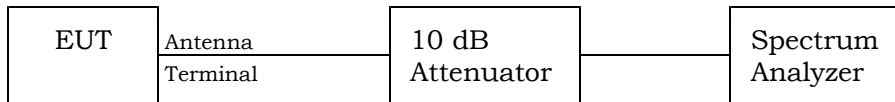


Fig.5 Carrier Frequency Separation Measurement

The setting of the spectrum analyzer are shown as follows :

Center Frequency : 2440.6 MHz
Res. Bandwidth : 100 kHz
Video Bandwidth : 300 kHz
Span : 10 MHz
Sweep Time : AUTO
Trace : Max. hold

Used test instruments:

Model No.	Device ID	Last Cal. Date	Cal. Interval
● - 8566B	A - 13	February, 2003	1 Year
○ - 8593A	A - 15		
● - 4T-10	D - 73	May, 2003	1 Year
○ - 4T-10	D - 74		
○ - 2-10	D - 79		
○ - 2-10	D - 80		

Environmental conditions :

Temperature: 29 °C Humidity: 46 %

CONFIGURATION OF EUT

The Equipment Under Test (EUT) consists of:

Description	Applicant (Manufacturer)	Model No. (Serial No.)	FCC ID
2.4GHz FHSS Cordless Telephone (Handset)	Panasonic Communications Co., Ltd. (Panasonic Communications Co., Ltd.)	KX-TG2356 (--)	ACJ96NKX-TG2356
AC Adaptor	Panasonic Communications Co., Ltd. (Panasonic Communications Co., Ltd.)	KX-TCA1 (--)	N/A

The measurement was carried out with the following equipment connected:

Description	Grantee/Distributor	Model No. (Serial No.)	FCC ID
Headset	Panasonic Communications Co., Ltd.	KX-TG2356 (--)	N/A

Type of Interference Cable(s) and the AC Power Cord used with the EUT:

	Description	Port	Shielded Cable	Shell Material	Ferrite Core	Cable Length
1	EUT	Headset	NO	--	NO	1.4 m
	-----	-----		--		
2	DC Power Cord (EUT / AC Adaptor)	--	NO	--	NO	1.8 m
	1φ 2-pin plug			--		

Operation - mode of the EUT:

The EUT was operated during the test under the following specification:

- 1) Transmitting
Modulation signal : TDMA/TDD Burst Type (FSK 190kHz dev.)
- 2) Charging the handset
The handset is set on the base unit.

For operating condition of the EUT, the typical modulating signal is not used and input because the occupied bandwidth of the EUT is subject to restriction due to the bit rate of preamble data other than audio data in the transmitting data .

Test system:

The EUT has a Headset port.

Special accessories:

None

TEST RESULTS

AC Powerline Conducted Emission 150 kHz - 30 MHz (Sec.15.207(a))

The requirements are	● - Passed	○ - Not Passed
Min. limit margin	<u>34.5</u> dB at <u>8.52</u> MHz	
Max. limit exceeding	<u> </u> dB at <u> </u> MHz	
Uncertainty of measurement results	<u>+ 2.1</u> dB(2σ)	<u>- 2.1</u> dB(2σ)

Remarks: _____

Electromagnetic Field Radiated Emission 9 kHz - 25 GHz

Maximum Peak Power (EIRP)

Maximum Peak Power (EIRP) 102.3 mW at 2440.156641 MHz

Spurious (Sec.15.247(c),15.205(a),15.209(a))

The requirements are	● - Passed	○ - Not Passed
Min. limit margin	<u>2.1</u> dB at <u>147.4</u> MHz	
Max. limit exceeding	<u> </u> dB at <u> </u> MHz	
Uncertainty of measurement results (≤ 30 MHz)	<u>+ 2.5</u> dB(2σ)	<u>- 2.5</u> dB(2σ)
Uncertainty of measurement results (30 MHz - 1000 MHz)	<u>+ 4.1</u> dB(2σ)	<u>- 4.2</u> dB(2σ)
Uncertainty of measurement results (≥ 1000 MHz)	<u>+ 3.1</u> dB(2σ)	<u>- 3.2</u> dB(2σ)

Remarks : The measured result is below the specification limit by a margin less than the measurement uncertainty; it is therefore not possible to state compliance based on the 95% level of confidence. However, the result indicates that compliance is more probable than non-compliance with the specification limit.

Transmitter Power (TP) (Sec.15.247(b)(1))

The requirements are **● - Passed** **○ - Not Passed**
The transmitter power is 60.3 mW at 2440.156641 MHz
Min. limit margin 3.2 dB at 2440.156641 MHz
Max. limit exceeding _____ dB at _____ MHz
Uncertainty of measurement results ± 0.6 dB(2σ)

Remarks: _____

Antenna Gain of the EUT (Sec.15.247(b)(3)(i))

The antenna gain is 2.3 dBi at 2440.156641 MHz

Remarks: _____

-20dB Bandwidth (Sec.15.247(a)(1))

The -20dB Bandwidth is 674.0 kHz at 2480.292773 MHz

The results Refer to pages* 2 - 4

Uncertainty of measurement results at Frequency ±0.05 ppm(2σ)
Uncertainty of measurement results at Amplitude ± 0.6 dB(2σ)

Remarks: *: The Page is one in the Attachment A.

Band-edge Emission (Sec.15.247(c))

The requirements are	● - Passed	○ - Not Passed
The Band-Edge level is	<u>-50.0</u> dBc at	<u>2400.00</u> MHz
The results	Refer to pages*	6 - 7
Uncertainty of measurement results at Frequency		<u>±0.05</u> ppm(2σ)
Uncertainty of measurement results at Amplitude		<u>± 0.6</u> dB(2σ)

Remarks: *: The Page is one in the Attachment A.

Carrier Frequency Separation (Sec.15.247(a)(1))

The requirements are	● - Passed	○ - Not Passed
Channel Separation		<u>880</u> kHz
The results	Refer to pages*	8
Uncertainty of measurement results at Frequency		<u>±0.05</u> ppm(2σ)
Uncertainty of measurement results at Amplitude		<u>± 0.6</u> dB(2σ)

Remarks: *: The Page is one in the Attachment A.

SUMMARY

GENERAL REMARKS :

The EUT was tested according to the requirements of FCC Rules and Regulations Part 15 Subpart A and C (July 22, 2003) under the test configuration, as shown in page 24.

The conclusion for the test items of which are required by the applied regulation is indicated under the final judgement.

FINAL JUDGEMENT :

The "as received" sample;

- - fulfill the test requirements of the regulation mentioned on page 3.
- - fulfill the test requirements of the regulation mentioned on page 3, but with certain qualifications.
- - doesn't fulfill the test regulation mentioned on page 3.

Begin of testing : October 24, 2003

End of testing : November 12, 2003

- JAPAN QUALITY ASSURANCE ORGANIZATION -

Approved by :



Akio Hosoda
Manager
EMC Div.
JQA KITA-KANSAI Testing Center

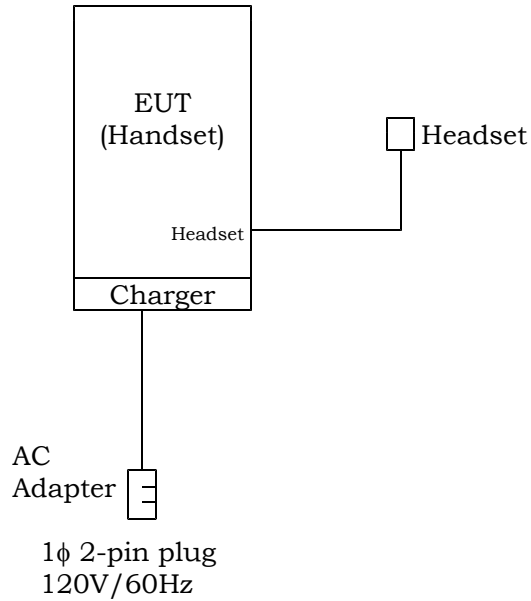
Issued by :



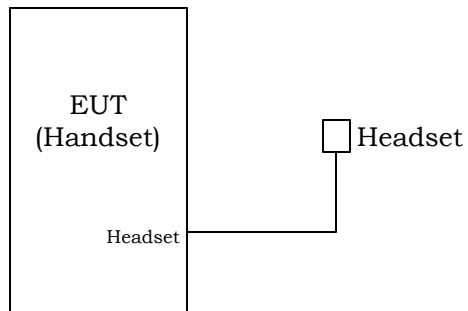
Shigeru Kinoshita
Deputy Manager
EMC Div.
JQA KITA-KANSAI Testing Center

Test System-Arrangement (Drawings)

1) Conducted Emission Measurement



2) Radiated Emission Measurement



Power Supply : DC3.6V (Ni-MH Battery Pack : HHR-P104)

Preliminary Test and Test-setup(Drawings)

AC Powerline Conducted Emission 150 kHz - 30 MHz:

The preliminary test was performed according to the description of ANSI C63.4-2001 Sec.7.2.3 (Exploratory AC Powerline Conducted Emission Measurements) and Sec.6.2.1 (Tabletop Equipment Tests).

The preliminary test was carried out to investigate the frequency of the emission that has the highest amplitude relative to the limits within normal operating modes, cable positions, and a typical system configuration. In order to find out to the maximum emission, the preliminary test and a final test were performed in accordance with the following steps.

Step 1: One operation mode of the test system was setting.

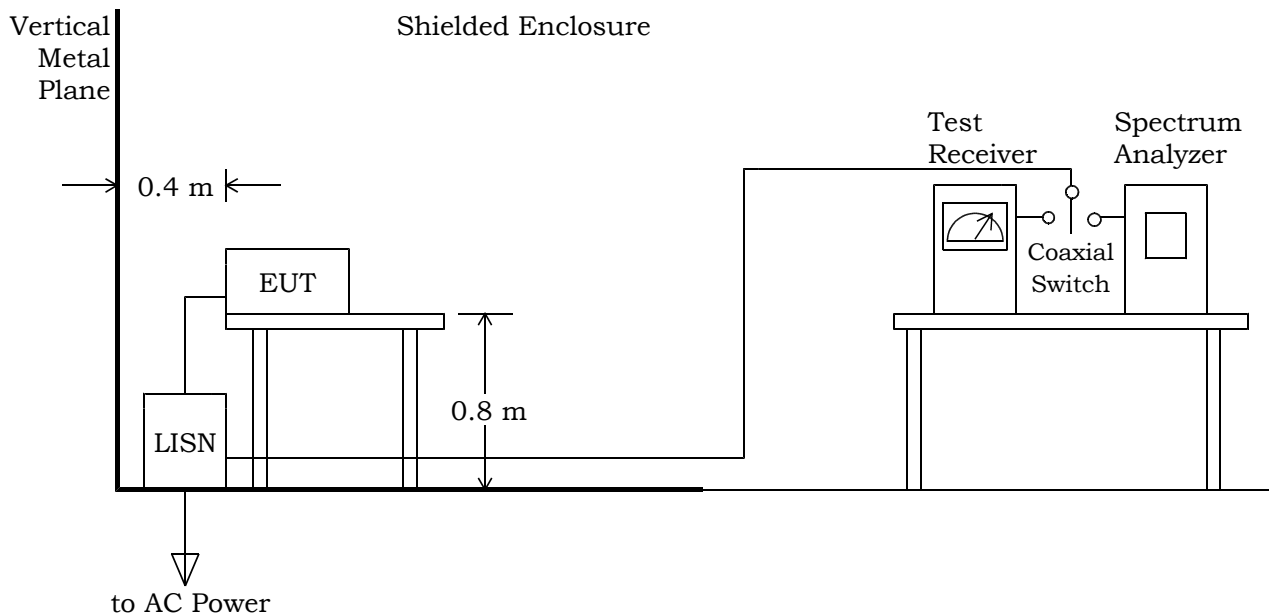
Step 2: Using both of a spectrum analyzer and a test receiver, the emission's circumstance from the system was monitored in one of ten divided frequency bands of the specified frequency range (150 kHz - 30 MHz). The maximum emission in the band was found by changing the typical cable positions or cable manipulation under a typical system configuration and by selecting of current-carrying conductor. The level and the frequency at the one point which are regarded as relative high emission in the band was measured and recorded. This step was repeated until the ending frequency band.

Step 3: Return to step 1, if the other operation mode was possible to be setting.

Step 4: Based on the collected results, the operation mode produced the maximum emission was selected. The final test on the selected operation mode was performed. But if it was difficult to select the operation mode, the final tests on all operation modes were performed.

Step 5: Based on the same data, as result if the final measurement, at the worst point that has the highest amplitude relative to the limit the repeatability of the worst was reconfirmed.

The photographs of the test system setup on the worst point were taken and recorded.



Radiated Emission (Magnetic Field) 9 kHz - 30 MHz:

The preliminary test was performed according to the description of ANSI C63.4-2001 Sec.8.3.1.1 (Exploratory Radiated Emission Measurements) and Sec.6.2.1 (Tabletop Equipment Tests).

The preliminary test was carried out to investigate the frequency of the emission that has the highest amplitude relative to the limits within normal operating modes, cable positions, and a typical system configuration. In order to find out to the maximum emission, the preliminary test and a final test were performed in accordance with the following steps.

Step 1: One operation mode of the test system was setting.

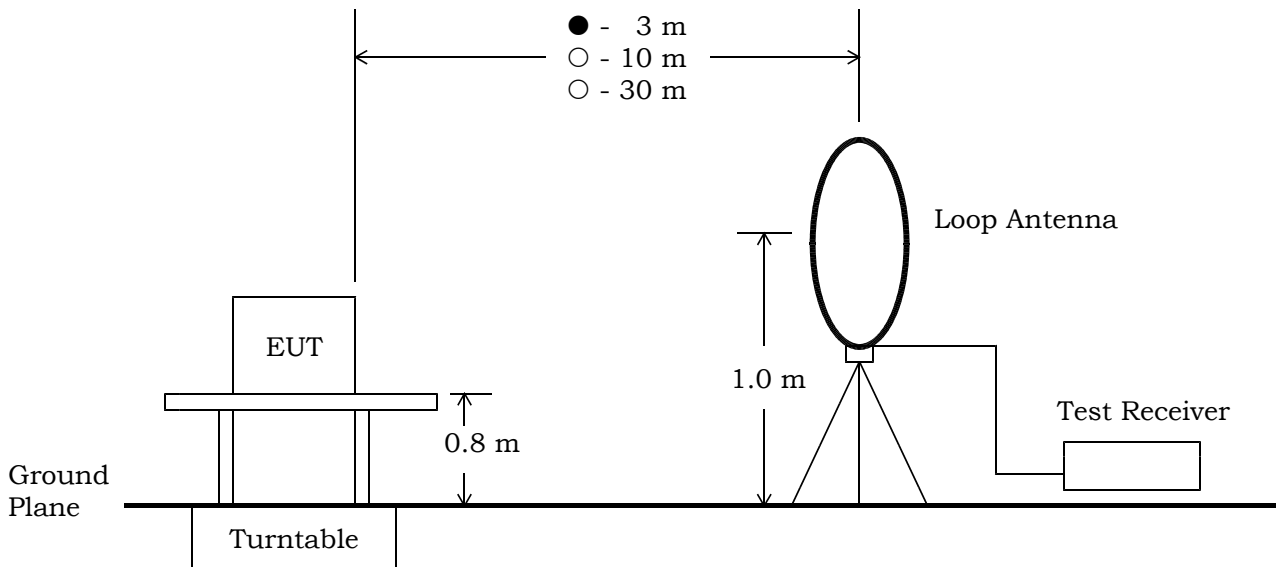
Step 2: In order to investigate the frequencies of maximum emissions, the loop antenna position was approached to the EUT and the significant frequency of the emission's circumstance from the test system were investigated. These data were recorded in the specified frequency band (9 kHz - 30 MHz).

Step 3: Using a test receiver and a loop antenna, the emission's circumstance from the test system was measured in according with ANSI C63.4-2001 Sec.8.3.1.2 (Final Radiated Emission Measurements) at each frequency which was found the higher emission referred to level vs. frequency on the list and which was measured by the loop antenna. The maximum emission was found by changing the antenna angle under a typical system configuration.

Step 4: Return to step 1, if the other operation mode was possible to be setting.

Step 5: The worst result was reported arranging data of which was obtained and performed by one or plural operation modes as the final test.

At the worst point that has the highest amplitude relative to the limit the repeatability of the level was reconfirmed. The photographs of the tests system setup on the worst point were taken and recorded.



Electromagnetic Field Radiated Emission 30 MHz - 1000 MHz:

The preliminary test was performed according to the description of ANSI C63.4-2001 Sec.8.3.1.1 (Exploratory Radiated Emission Measurements) and Sec.6.2.1 (Tabletop Equipment Tests).

The preliminary test was carried out to investigate the frequency of the emission that has the highest amplitude relative to the limits within normal operating modes, cable positions, and a typical system configuration. In order to find out to the maximum emission, the preliminary test and a final test were performed in accordance with the following steps.

Step 1: One operation mode of the test system was setting.

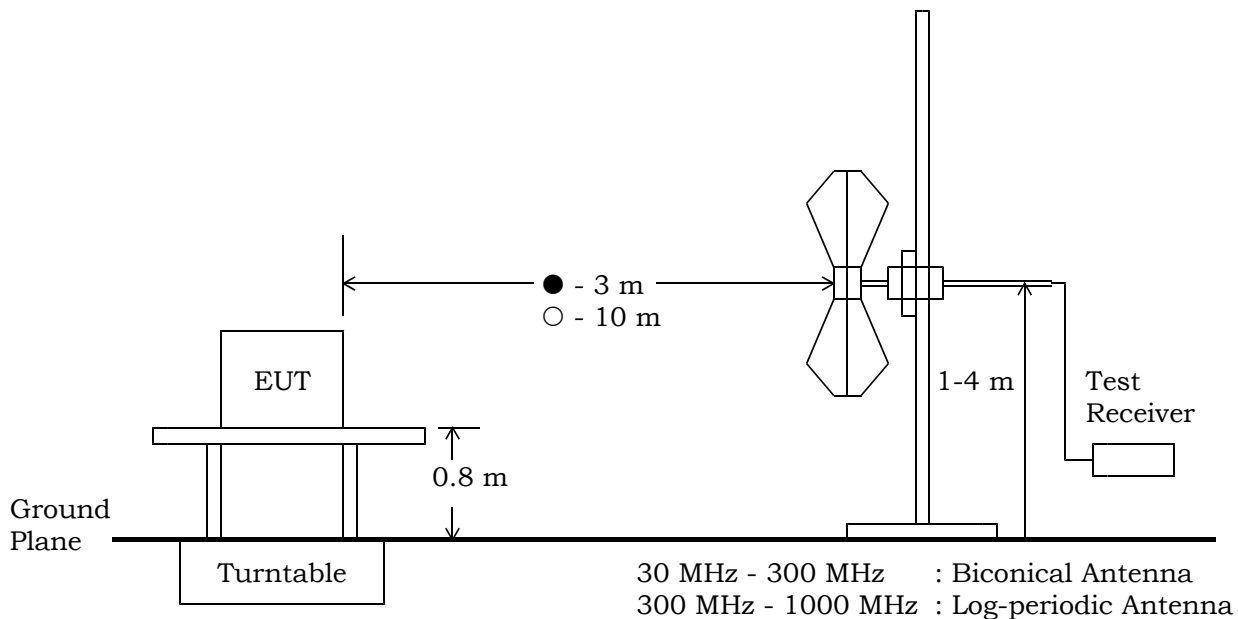
Step 2: Using a test receiver and a test antenna probe, the significant frequency of the emission's circumstance from the test system were investigated. These data were recorded every one of 22 divided bands in the specified frequency band (30 MHz - 1000 MHz).

Step 3: Using a test receiver and a linearly polarized broadband antenna, the emission's circumstance from the test system was measured in according with ANSI C63.4-2001 Sec.8.3.1.2 (Final Radiated Emission Measurements) at each frequency which was found the higher emission referred to level vs. frequency on the list and which was measured by the linearly polarized broadband antenna. The maximum emission was found by changing the antenna angle under a typical system configuration.

Step 4: Return to step 1, if the other operation mode was possible to be setting.

Step 5: The worst result was reported arranging data of which was obtained and performed by one or plural operation modes as the final test.

At the worst point that has the highest amplitude relative to the limit the repeatability of the level was reconfirmed. The photographs of the tests system setup on the the worst point were taken and recorded.



Electromagnetic Field Radiated Emission 1 GHz - 25 GHz:

The preliminary test was performed according to the description of ANSI C63.4-2001 Sec.8.3.1.1 (Exploratory Radiated Emission Measurements) and Sec.6.2.1 (Tabletop Equipment Tests).

The preliminary test was carried out to investigate the frequency of the emission that has the highest amplitude relative to the limits within normal operating modes, cable positions, and a typical system configuration. In order to find out to the maximum emission, the preliminary test and a final test were performed in accordance with the following steps.

Step 1: One operation mode of the test system was setting.

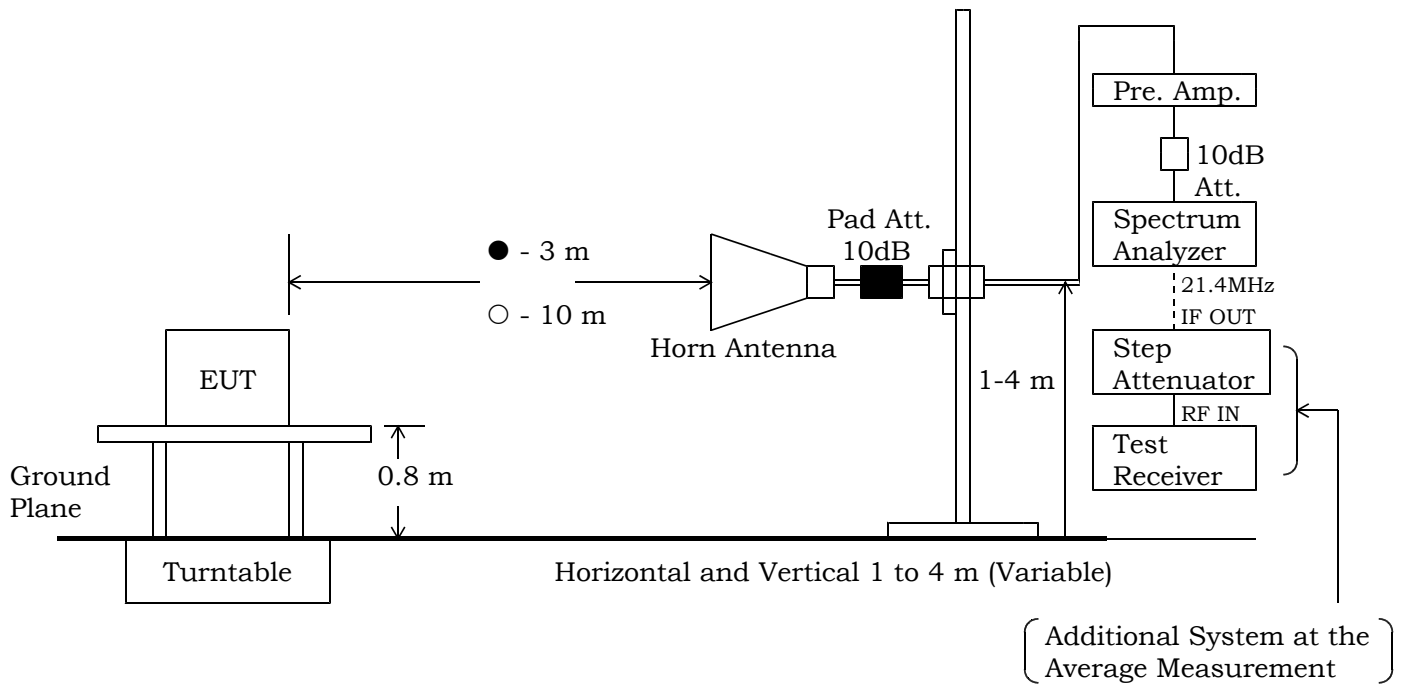
Step 2: In order to investigate the frequencies of maximum emissions, the horn antenna position was approached to the EUT and the significant frequency of the emission's circumstance from the test system were investigated. These data were recorded in the specified frequency band (1 GHz - 25 GHz).

Step 3: The emission's circumstance from the test system was measured in accordance with ANSI C63.4-2001, Sec.8.3.1.2 (Final Radiated Emissions Tests) at each frequency which was found higher emission referred to level vs. frequency on the list and which was measured in the specified distance using the horn antenna. The maximum emission was found by changing the antenna angle under a typical system configuration.

Step 4: Return to step 1, if the other operation mode was possible to be setting.

Step 5: The worst result was reported arranging data of which was obtained and performed by one or plural operation modes as the final test.

At the worst point that has the highest amplitude relative to the limit the repeatability of the level was reconfirmed. The photographs of the tests system setup on the worst point were taken and recorded.



Spectrum Analyzer Setting:

Detector	*)Peak/Average
RES BW	1 MHz
VIDEO BW	1 MHz
SPAN	0 Hz

Test Receiver Setting:

SCALE	LINEAR	LINEAR
I.F.B.W.	1 MHz	1 MHz
Detector	Average	Peak

*) For the average measurement, it is made using a test receiver and a step attenuator.

Test-Setup (Photographs) at worst case

Conducted Emission



Front View



Side View

Radiated Emission



Horizontal Polarization



Vertical Polarization

AC Powerline Conducted Emission Measurement Intentional Radiator

Transmitting Frequency : 2440.156641 MHz (45 ch)

Test Date: October 28, 2003
 Temp.: 21 °C ; Humi.: 59 %

Frequency [MHz]	Correction Factor [dB]	Meter Readings [dB(μV)]				Limits [dB(μV)]		Results [dB(μV)]		Margin [dB]	Remarks (Note 2)
		VA		VB		QP	AV	QP	AV		
0.15	0.2	31.0	-	31.0	-	66.0	56.0	31.2	-	+34.8	A
0.30	0.1	<20.0	-	20.0	-	60.4	50.4	20.1	-	+40.3	A
1.18	0.1	<20.0	-	<20.0	-	56.0	46.0	<20.1	-	>+35.9	A
3.53	0.3	<20.0	-	<20.0	-	56.0	46.0	<20.3	-	>+35.7	A
8.52	0.5	24.0	-	25.0	-	60.0	50.0	25.5	-	+34.5	A
13.30	0.6	<20.0	-	<20.0	-	60.0	50.0	<20.6	-	>+39.4	A
28.67	0.9	22.0	-	24.0	-	60.0	50.0	24.9	-	+35.1	A

Sample of calculated result at 8.52 MHz, as the Minimum Margin point:

$$\begin{aligned} \text{Correction Factor} &= 0.3 \text{ dB} \\ +) \text{ Meter Reading} &= 25.0 \text{ dB}(\mu\text{V}) \\ \hline \text{Result} &= 25.5 \text{ dB}(\mu\text{V}) \end{aligned}$$

Minimum Margin : 60.0 - 25.5 = 34.5(dB)

The point shown on “ ” is the Minimum Margin Point.

Note 1:

1)The correction factor includes the LISN insertion loss and the cable loss.

Remarks:

Note 2	Detector Function	IF Bandwidth
A	CISPR QP	9 kHz
B	Average	10 kHz

Tester : Yasuhisa Sakai

Electromagnetic Field Radiated Emission Measurement

Intentional Radiator

Spurious emission except fundamental and harmonics (9 kHz - 1 GHz)

Test Date: October 24, 2003

Temp.: 14 °C ; Humi.: 18 %

Transmitting Frequency : **2440.156641 MHz (45 ch)**

Frequency [MHz]	Antenna Factor [dB(1/m)]	Cable Loss [dB]	Meter Readings [dB(μV)]		Limits [dB(μV/m)]	Results [dB(μV/m)]		Margin [dB]	Remarks (Note 2)
			Hori.	Vert.		Hori.	Vert.		
41.5	14.3	0.9	6.0	<10.0	40.0	21.2	<25.2	>+14.8	C
73.7	6.5	1.4	20.0	15.0	40.0	27.9	22.9	+12.1	C
134.7	14.0	1.7	13.0	6.0	43.5	28.7	21.7	+14.8	C
147.4	14.6	1.8	25.0	16.0	46.0	41.4	32.4	+ 2.1	C
294.9	19.3	2.6	16.0	8.0	46.0	37.9	29.9	+ 8.1	C
442.4	18.2	3.4	10.0	9.0	46.0	31.6	30.6	+14.4	C
473.5	18.7	3.5	8.0	10.0	46.0	30.2	32.2	+13.8	C
589.9	21.2	3.9	13.0	11.0	46.0	38.1	36.1	+ 7.9	C
737.3	22.9	4.5	8.0	6.0	46.0	35.4	33.4	+10.6	C
884.7	24.3	4.9	5.0	< 5.0	46.0	34.2	<34.2	+11.8	C

Sample of calculated result at 147.4 MHz, as the Minimum Margin point:

Antenna Factor	=	14.6 dB(1/m)
Cable Loss	=	1.8 dB
+) Meter Reading	=	25.0 dB(μV)
Result	=	41.4 dB(μV/m)

Minimum Margin : 43.5 - 41.4 = 2.1(dB)

The point shown on “ ” is the Minimum Margin Point.

Note 1:

- 1)The highest frequency generated or used in the EUT: 2480.292773 MHz
- 2)The upper frequency of measurement range : 25 GHz
- 3)The spectrum was scanned 9 kHz to 1 GHz and all emissions not reported were more than 20 dB below the applied limits.

Remarks:

Note 2	Detector Function	IF Bandwidth
A	CISPR QP	200 Hz
B	CISPR QP	9 kHz
C	CISPR QP	120 kHz
D	Average	200 Hz
E	Average	10 kHz
F	Average	120 kHz

Tester : Yasuhisa Sakai

Electromagnetic Field Radiated Emission Measurement
 Intentional Radiator
 Fundamental and Spurious (above 1 GHz)

Test Date: October 26, 2003
 Temp.: 26 °C ; Humi.: 58 %

Transmitting Frequency : 2400.914355 MHz (01ch)

Frequency [MHz]	Antenna Factor [dB(1/m)]	Corr. Factor [dB]	Meter Readings at 3m [dB(μV)]		Limits [dB(μV/m)]	Results at 3m [dB(μV/m)]		Margin [dB]	Remarks (Note 2)
			Hori.	Vert.		Hori.	Vert.		
Fundamental									
2400.914355	21.4	10.4	83.0	82.2	---	114.8	114.0	---	B
Spurious at Peak Detector									
* 4801.828710	36.5	-21.2	42.7	44.1	74.0	58.0	59.4	+14.6	D
7202.743065	36.5	-19.7	< 40.0	< 40.0	94.8	< 56.8	< 56.8	> +38.0	B
9603.657420	39.9	-27.3	< 40.0	< 40.0	94.8	< 52.6	< 52.6	> +42.2	B
* 12004.571775	43.7	-26.7	< 37.0	< 37.0	74.0	< 54.0	< 54.0	> +20.0	D
14405.486130	46.0	-26.4	< 37.0	< 37.0	94.8	< 56.6	< 56.6	> +38.2	B
16806.400485	44.0	-26.9	< 37.0	< 37.0	94.8	< 54.1	< 54.1	> +40.7	D
* 19207.314840	30.2	-18.4	< 37.0	< 37.0	74.0	< 48.8	< 48.8	> +25.2	B
21608.229195	30.3	-17.5	< 37.0	< 37.0	94.8	< 49.8	< 49.8	> +45.0	B
24009.143550	30.4	-18.4	< 37.0	< 37.0	94.8	< 49.0	< 49.0	> +45.8	B
Spurious at Average Detector									
* 4801.828710	36.5	-21.2	28.0	28.0	54.0	43.3	43.3	+10.7	C
* 12004.571775	43.7	-26.7	< 30.0	< 30.0	54.0	< 47.0	< 47.0	> + 7.0	C
* 19207.314840	30.2	-18.4	< 30.0	< 30.0	54.0	< 41.8	< 41.8	> +12.2	C

Transmitting Frequency : 2440.156641 MHz (45ch)

Frequency [MHz]	Antenna Factor [dB(1/m)]	Corr. Factor [dB]	Meter Readings at 3m [dB(μV)]		Limits [dB(μV/m)]	Results at 3m [dB(μV/m)]		Margin [dB]	Remarks (Note 2)
			Hori.	Vert.		Hori.	Vert.		
Fundamental									
2440.156641	21.4	10.4	83.5	83.0	---	115.3	114.8	---	B
Spurious at Peak Detector									
* 4880.313282	36.5	-21.3	< 40.0	42.0	74.0	< 55.2	57.2	+16.8	D
* 7320.469923	36.5	-19.6	< 40.0	42.0	74.0	< 56.9	58.9	+15.1	D
9760.626564	39.8	-27.3	< 40.0	< 40.0	95.3	< 52.5	< 52.5	> +42.8	B
* 12200.783205	43.9	-26.6	< 37.0	< 37.0	74.0	< 54.3	< 54.3	> +19.7	D
14640.939846	45.8	-26.5	< 37.0	< 37.0	95.3	< 56.3	< 56.3	> +39.0	B
17081.096487	44.2	-26.9	< 37.0	< 37.0	95.3	< 54.3	< 54.3	> +41.0	D
* 19521.253128	30.3	-18.0	< 37.0	< 37.0	74.0	< 49.3	< 49.3	> +24.7	B
21961.409769	30.3	-18.2	< 37.0	< 37.0	95.3	< 49.1	< 49.1	> +46.2	B
24401.566410	30.4	-19.4	< 37.0	< 37.0	95.3	< 48.0	< 48.0	> +47.3	B
Spurious at Average Detector									
* 4880.313282	36.5	-21.3	< 30.0	< 30.0	54.0	< 45.2	< 45.2	> + 8.8	C
* 7320.469923	36.5	-19.6	< 30.0	< 30.0	54.0	< 46.9	< 46.9	> + 7.1	C
* 12200.783205	43.9	-26.6	< 30.0	< 30.0	54.0	< 47.3	< 47.3	> + 6.7	C
* 19521.253128	30.3	-18.0	< 30.0	< 30.0	54.0	< 42.3	< 42.3	> +11.7	C

Transmitting Frequency : 2480.292773 MHz (90ch)

Frequency [MHz]	Antenna Factor [dB(1/m)]	Corr. Factor [dB]	Meter Readings at 3m [dB(μV)]		Limits [dB(μV/m)]	Results at 3m [dB(μV/m)]		Margin [dB]	Remarks (Note 2)
			Hori.	Vert.		Hori.	Vert.		
Fundamental									
2480.292773	21.3	10.4	82.6	81.8	---	114.3	113.5	---	B
Spurious at Peak Detector									
* 4960.585546	36.8	-21.3	44.0	43.9	74.0	59.5	59.4	+14.5	D
* 7440.878319	37.2	-19.4	< 40.0	< 40.0	74.0	< 57.8	< 57.8	> +16.2	D
9921.171092	39.7	-27.2	42.0	< 40.0	94.3	54.5	< 52.5	+39.8	B
* 12401.463865	44.4	-26.5	< 37.0	< 37.0	74.0	< 54.9	< 54.9	> +19.1	D
14881.756638	45.8	-26.6	< 37.0	< 37.0	94.3	< 56.2	< 56.2	> +38.1	B
17362.049411	44.2	-26.9	< 37.0	< 37.0	94.3	< 54.3	< 54.3	> +40.0	B
* 19842.342184	30.2	-17.5	< 37.0	< 37.0	74.0	< 49.7	< 49.7	> +24.3	D
* 22322.634957	30.3	-18.2	< 37.0	< 37.0	94.3	< 49.1	< 49.1	> +45.2	D
24802.927730	30.4	-19.0	< 37.0	< 37.0	94.3	< 48.4	< 48.4	> +45.9	B
Spurious at Average Detector									
* 4960.585546	36.8	-21.3	< 30.0	< 30.0	54.0	< 45.5	< 45.5	> + 8.5	C
* 7440.878319	37.2	-19.4	< 30.0	< 30.0	54.0	< 47.8	< 47.8	> + 6.2	C
* 12401.463865	44.4	-26.5	< 30.0	< 30.0	54.0	< 47.9	< 47.9	> + 6.1	C
* 19842.342184	30.2	-17.5	< 30.0	< 30.0	54.0	< 42.7	< 42.7	> +11.3	C
* 22322.634957	30.3	-18.2	< 30.0	< 30.0	54.0	< 42.1	< 42.1	> +11.9	C

Sample of calculated result at 12401.463865 MHz, as the Minimum Margin point:

Antenna Factor = 44.4 dB(1/m)
 Corr. Factor = -26.5 dB
 +) Meter Reading = <30.0 dB(μV)
 Result = <47.9 dB(μV/m)

Minimum Margin : 54.0 - <47.9 = >6.1(dB)

The point shown on “ ___ ” is the Minimum Margin Point.

Note 1:

- 1)The highest frequency generated or used in the EUT: 2480.292773 MHz
- 2)The upper frequency of measurement range : 25 GHz
- 3)The spectrum was scanned 1 GHz to 25 GHz and all emissions not reported were more than 20 dB below the applied limits.
- 4)Symbol '*': Restricted bands of operation in Sec.15.205.
- 5)Corr. Factor (Fundamental) = Cable Loss + 10 dB Pad Attenuator [dB]
 Corr. Factor (≤ 7.6 GHz) = Cable Loss + 20 dB Pad Attenuator + HPF Loss - Amp. Gain [dB]
 Corr. Factor (7.6 GHz ≤ F ≤ 18 GHz) = Cable Loss + 10 dB Pad Attenuator - Amp. Gain [dB]
 Corr. Factor (≥ 18 GHz) = Cable Loss - Amp. Gain + Mixer Conversion Loss(atIF=8GHz)[dB]

Remarks:

Note 2	Detector Function	RES. B.W.	V.B.W.	Sweep T	Span
A	Peak (SP)	1 MHz	1 MHz	20 msec	0 Hz
B	Peak (SP)	100 kHz	300 kHz	20 msec	0 Hz
*) C	Average (Receiver)	1 MHz (1 MHz)	3 MHz	20 msec	0 Hz
D	Peak	1 MHz	3 MHz	20 msec	0 Hz

():Setting of spectrum analyzer

*)For the average/peak measurement method, it is made measurement using a test receiver, a step attenuator or and a spectrum analyzer(FCC REPLY No. 950523A).

Tester : Akio Hosoda

Maximum Peak Power (EIRP) Measurement Fundamental Emission

Test Date: October 26, 2003
 Temp.: 26 °C ; Humi.: 58 %

Measurement Results:

1) Emission Measurement in Fig.1(a)

CH	Frequency [MHz]	Meter Reading [dBuV]		Remarks (Note 1)
		Horizontal Mh	Vertical Mv	
0	2400.914355	83.0	82.2	A
45	2440.156641	83.5	83.0	A
90	2480.292773	82.6	81.8	A

2) Substitution Measurement in Fig.1(b)

CH	Frequency [MHz]	Meter Reading [dBuV]		Supplied Power to Substitution Antenna [dBm] Ps	Gain of Substitution Antenna [dBi] Gs
		Horizontal Msh	Vertical Msv		
0	2400.914355	79.0	79.0	-0.8	16.4
45	2440.156641	78.9	78.9	-0.9	16.4
90	2480.292773	79.4	79.4	-0.7	16.5

3) Calculated Result

CH	Frequency [MHz]	Peak EIRP [dBm]		Maximum Peak EIRP [mW]
		Horizontal EIRPh	Vertical EIRPv	
0	2400.914355	19.6	18.8	91.2
45	2440.156641	20.1	19.6	102.3
90	2480.292773	19.0	18.2	79.4

Sample of calculated result at 2440.156641 MHz, as the Minimum Margin point:

Meter Reading Mh in Fig.1(a) = 83.5 dB(μV)
 Meter Reading -Msh in Fig.1(b) = -78.9 dB(μV)
 Supplied Power to Sub. Ant. = -0.9 dB
 +) Gain of Sub. Ant. = 16.4 dB
 Result = 20.1 dBm
 Peak EIRP = 20.1 dBm : $10^{(20.1/10)} = 102.3$ (mW)

EIRPh = Mh - Msh + Ps + Gs

EIRPv = Mv - Msv + Ps + Gs

The point shown on "___" is the Maximum Point.

Remarks:

Note 1	Detector Function	RES. B.W.	V.B.W.	Sweep T	Span
A	Peak (SP)	1 MHz	3 MHz	20 msec	0 Hz

Tester : Akio Hosoda

Transmitter Power(TP) Measurement

Test Date: November 12, 2003
 Temp.: 29 °C ; Humi.: 46 %

Measurement Results:

CH	Frequency [MHz]	Correction Factor [dB]	Meter Reading Peak [dBm]	Results Peak		Limits [dBm]	Margin [dB]	Remark (Note 1)
				[dBm]	[mW]			
0	2400.914355	10.4	7.1	17.5	56.2	21.0	+ 3.5	A
45	2440.156641	10.4	7.4	17.8	60.3	21.0	+ 3.2	A
90	2480.292773	10.4	7.3	17.7	58.9	21.0	+ 3.3	A

Sample of calculated result at 2440.156641 MHz, as the Minimum Margin point:

Correction Factor = 10.4 dB
 +) Meter Reading = 7.4 dBm
 Result = 17.8 dBm : $10^{(17.8/10)} = 60.3(\text{mW})$

Minimum Margin : 21.0 - 17.8 = 3.2(dB)

The point shown on “ ___ ” is the Minimum Margin Point.

Note : 1. The correction factor includes the attenuator loss and the cable loss.

Remarks:

Note 2	Detector Function	RES. B.W.	V.B.W.	Sweep T	Span
A	Peak	1 MHz	3 MHz	20 msec	0 Hz

Tester : Shigeru Kinoshita

Calculated Antenna gain of the EUT

Calculated Results:

Antenna gain of the integrated antenna of the EUT : G_{eut} (dB)
 Transmitter power (Measured) : TP (dBm)
 EIRP (Measured) : EIRP (dBm)

If the antenna gain (G_{EUT}) is met the equations as follows.

$$EIRP = TP \times G_{eut}$$

$$G_{EUT} \text{ (Numeric)} = EIRP / TP$$

$$G_{EUT} \text{ (dB)} = 10\log_{10}(EIRP / TP)$$

CH	Frequency [MHz]	Maximum Peak EIRP [mW]	TP [mW]	Geut [dBi]
0	2400.914355	91.2	56.2	2.1
45	2440.156641	102.3	60.3	2.3
90	2480.292773	79.4	58.9	1.3

Sample of calculated result at 2440.156641 MHz, as the Maximum point:

EIRP	=	20.10 dBm = $10\log_{10}(102.3)$
-) TP	=	17.80 dBm = $10\log_{10}(60.3)$
Result	=	2.30 dBi

The point shown on “ ___ ” is the Maximum Point.

-20dB Bandwidth Measurement

Test Date: November 12, 2003

Temp.: 29 °C ; Humi.: 46 %

CH No.	Transmitting Frequency(MHz)	-20dB Bandwidth	Data Page*
0	2400.914355	640 kHz	Page 2
45	2440.156641	630 kHz	Page 3
90	2480.292773	674 kHz	Page 4

Note) 1. *: The Data Page is one in Attachment A.

2. The point shown on " _____ " is the Maximum Margin Point.

Tester : Shigeru Kinoshita

Band-Edge Emission Measurement

Test Date: November 12, 2003

Temp.: 29 °C ; Humi.: 46 %

1) Low Band-Edge Measurement

CH	Transmitting Frequency(MHz)	Band-Edge Frequency(MHz)	Band-Edge Level[dBc]	Data Page*
0	2400.914355	2400.000000	-50.0	Page 6

2) High Band-Edge Measurement

CH	Transmitting Frequency(MHz)	Band-Edge Frequency(MHz)	Band-Edge Level[dBc]	Data Page*
90	2480.292773	2483.500000	-60.4	Page 7

- Note) 1. *: The Data Page is one in Attachment A.
2. The point shown on " _____ " is the Maximum Point.

Tester : Shigeru Kinoshita

JQA Application No. : KL80030484
Model No. : KX-TG2356
FCC ID : ACJ96NKX-TG2356

Regulation : CFR 47 FCC Rules Part 15
Issue Date : November 28, 2003

Page 40 of 42

Carrier Frequency Separation Measurement Fundamental Emission

Test Date: November 12, 2003
Temp.: 29 °C ; Humi.: 46 %

Measurement Results:

Transmitting Frequency No.1 : 2440.156641 MHz (45 ch)
Transmitting Frequency No.2 : 2441.050488 MHz (46 ch)
Channel Separation : 880 kHz
Data Page in Attachment A : Page 8

Tester : Shigeru Kinoshita

Sec.247(a)(1)(ii) CHANNEL SEPARATION/DWELL TIME

Compliance with other provision of Sec.15.247 is stated in Panasonic Communications Co., Ltd., as stated below:

Hopping channel carrier frequencies are separated by 891.871 kHz.

Each bearer is independent and hops at a rate of 100 hops/sec.

The hopping sequence is either table-generated or RNG-generated:

1. A table-generated hop sequence is 45 hops long, each channel is used exactly once in the sequence. Therefore, in a 18 second(0.4sec×45ch) period each frequency channel is used 40 times in that sequence.
2. An RNG-generated hop sequence is 1800 hops long, each channel is used exactly 40 times in the entire sequence. Therefore, in a 18 second period each frequency channel is used exactly 40 times in that sequence.

The hopping sequence contains 45 logical channels these are mapped-onto 45 physical channels using a mapping table.

The highest channel occupancy is when an FP has 4 traffic bearers (i.e. 8 slots utilized), each using the same hopping sequence. As shown previously, for a given sequence, in a 18 second period each frequency channel is exactly 40 times. A slot is 986.1 μsec. long, therefore the average time of occupancy on any frequency channel in a 30 second period is:

$$T = 986.1 \mu\text{sec} \times 40 \times 8 = 315.552 \text{ msec.}$$

As a comparison, the lowest channel occupancy is when only a single dummy bearer is being transmitted. The transmission is 0.33 msec. long, therefore the average time of occupancy on any frequency channel in a 18 second period is:

$$T = 0.33 \text{ msec.} \times 40 \times 1 = 13.2 \text{ msec.}$$

Note:

This system provides with 90 channels, in which 45 channels are used in each conversation.

While a conversation is done, if some interference comes, FP (Fixed Portion) or PP (Portable Portion) changes the interfered frequency channel to a vacant channel.

Therefore, the occupancy time may be shorter than a theoretical times (315.552 ms and 13.2 ms).

Sec.15.247(g)

In the case of the dummy bearer (which the FP transmits all the time it is powered up and operating), the hopping sequence cycles through the 45 hops in the selected hopping pattern and then repeats.

In the case of a traffic bearer presented with continuous data (which is the normal case, as this is a voice system), the hopping sequence cycles through the 1800 hops in the sequence and then repeats.

In the case of a traffic bearer transmitting short bursts (for example, which may happen if a PP has several failed attempts¹ to establish a traffic bearer), then the successive traffic bearers will start on different patterns (because the PSTN is incremented each frame).

Note, that this system is a voice system and short burst transmissions are not typical.

1)The protocol actually limits the number of re-tries to 11 before giving up on the connection.

Sec.15.247(h)

There is no coordination between transmitters for the purpose of the avoiding the simultaneous occupancy of hopping frequencies by multiple transmitters.

Communication only ever takes place between an FP and a PP, never between two FPs (It is actually impossible for an FP to receive an FP packet, because their respective 'sync-fields' are different).

An FP and a PP that have an active traffic bearer between them will share a common hopping sequence and hop sequence adaption information (i.e. 'swapped channels'). However, neither the FP nor the PP transmits this information to a 3rd party, for any purpose whatsoever.

This is even true when in a state of bearer hand-over, where the PP is simultaneously 'locked-onto' two FPs. The PP will know both FP's hopping sequences, but it does not share this information with either FP.

In actual fact, channel collisions between FPs and PPs can and will take place. These may result in reduced voice quality, but this has to be tolerated.

In the case of 'sequence collision' (where two transmitters, with overlapping radio cells, are using the same slot, pattern and phase within the pattern), this is detected by multiple consecutive corrupted packets. Each connection that is experiencing sequence collision will independently attempt to remedy the situation (either by pattern changing or by bearer hand-over, as discussed previously).