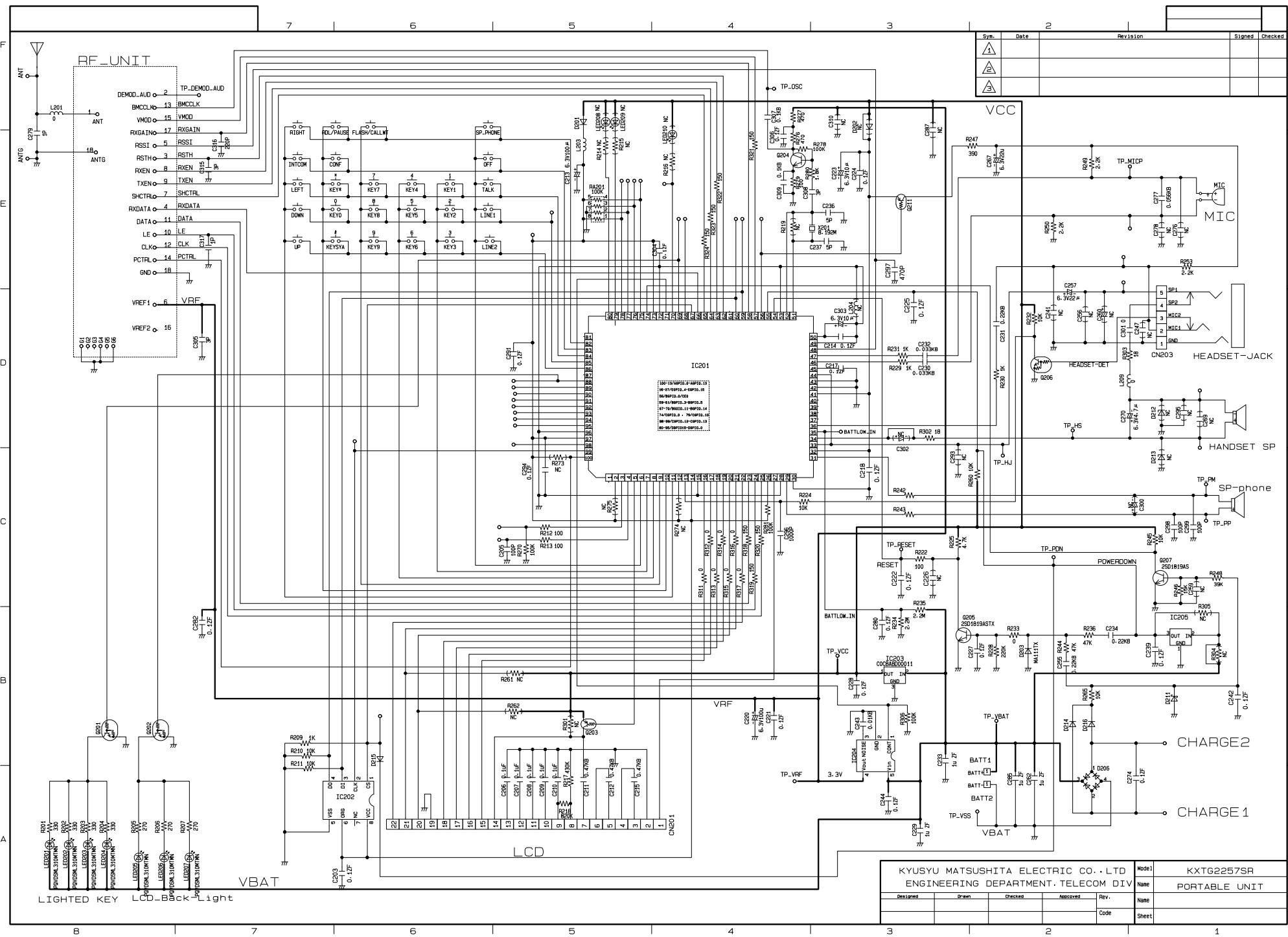


Sym.	Date	Revision	Signed	Checked
△				
▽				
□				

KYUSYU MATSUSHITA ELECTRIC CO., LTD				Model	KXTG2257SH
ENGINEERING DEPARTMENT, TELECOM DIV				Name	BASE UNIT
Designed	Drawn	Checked	Approved	Rev.	Name
					Code
					Sheet



Rev.	Date	Revision	Signed	Checked
1				
2				
3				

KYUSYU MATSUSHITA ELECTRIC CO., LTD				Model	KXTG2257SR
ENGINEERING DEPARTMENT, TELECOM DIV				Name	PORTABLE UNIT
Designed	Drawn	Checked	Approved	Rev.	
				Code	
				Sheet	

LIGHTED KEY LCD-Back Light

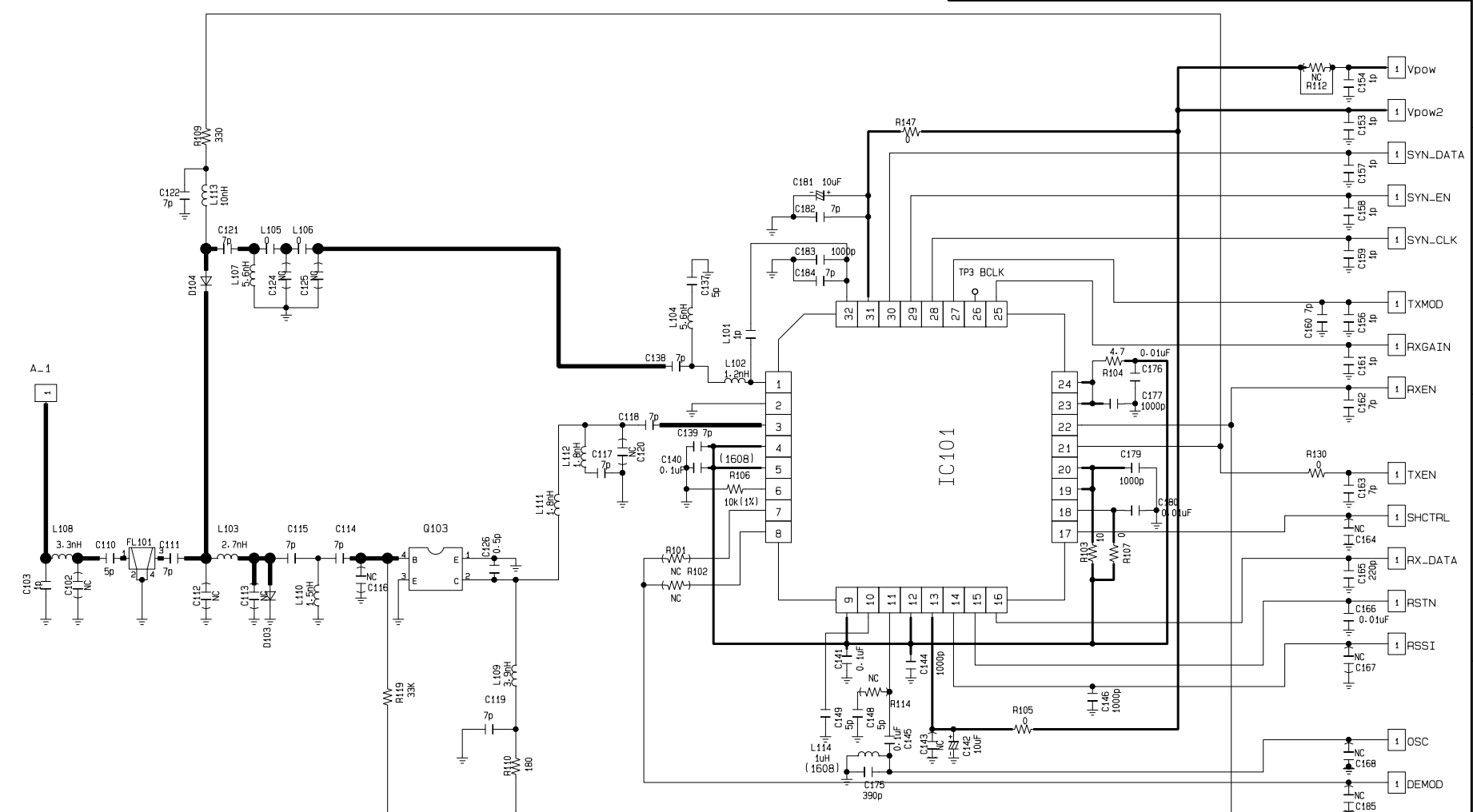
VBAT

CHARGE 2

CHARGE 1

IC201
 100-1744462-7-4462-13
 100-1744462-7-4462-14
 100-1744462-7-4462-15
 100-1744462-7-4462-16
 100-1744462-7-4462-17
 100-1744462-7-4462-18
 100-1744462-7-4462-19
 100-1744462-7-4462-20

Sym.	Date	Revision	Signed	Checked
①				
②				
③				



KYUSYU MATSUSHITA ELECTRIC CO., LTD					Model	KX-TG2257 RF UNIT
ENGINEERING DEPARTMENT, TELECOM DIV.					Name	
Designed	Drawn	Checked	Approved	Rev.	Name	
					Code	
					Sheet	