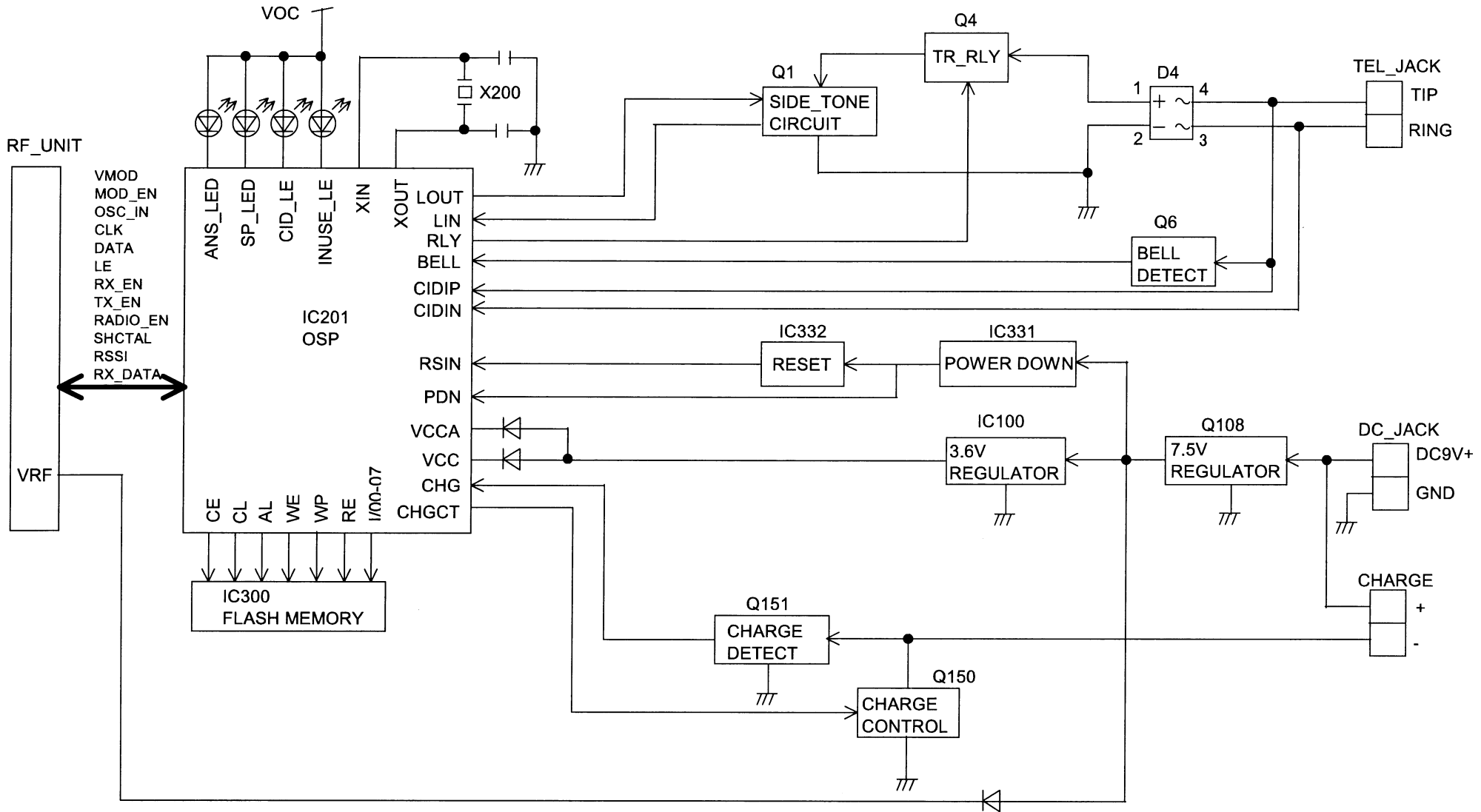


BASE UNIT



HANDSET

