

EXHIBIT G-2

Figure 2 (BLOCK DIAGRAM OF HANDSET UNIT)

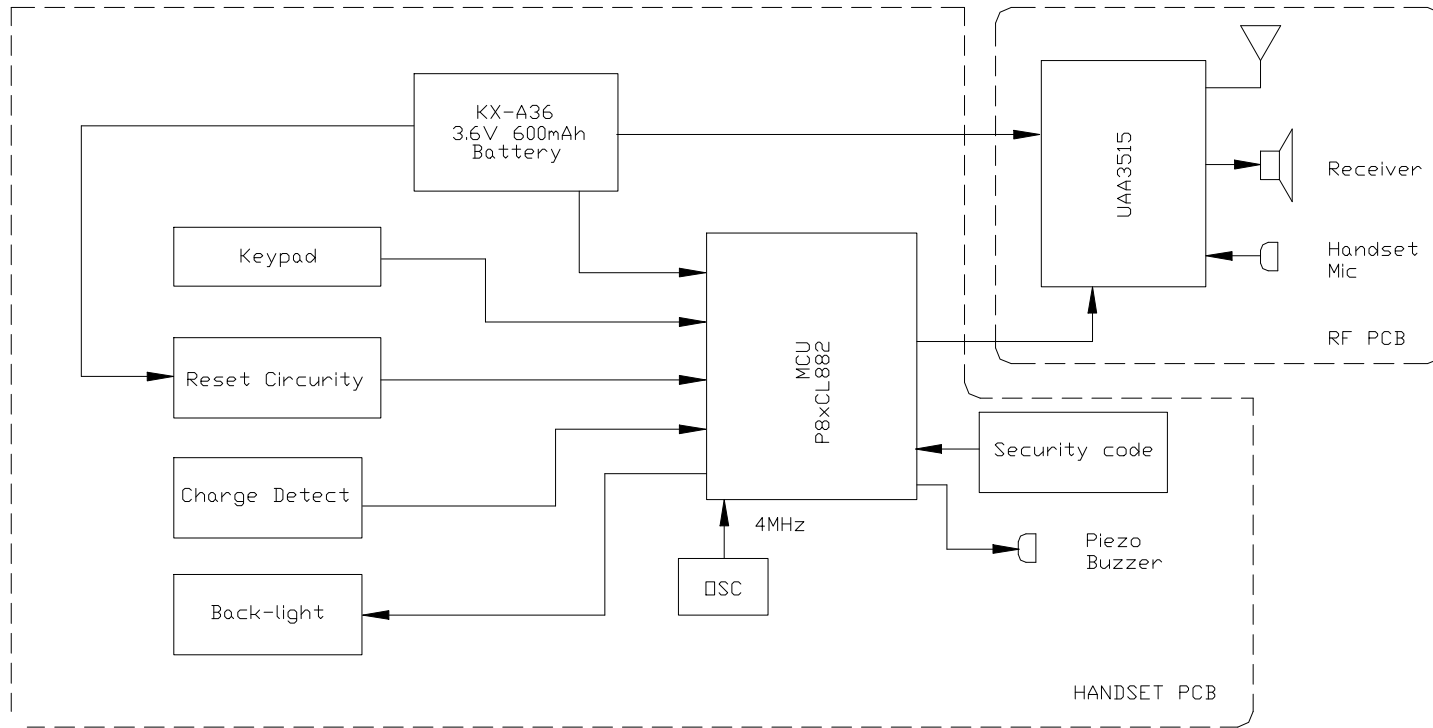


EXHIBIT G-1

Figure 1 (BLOCK DIAGRAM OF BASE UNIT)

