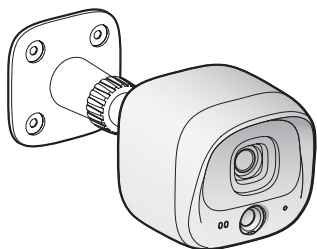


Panasonic[®]

Installation Guide

Wireless Outdoor Camera
Model No. **KX-HNC600**



Thank you for purchasing a Panasonic product.

Please read this document before using the unit and save it for future reference.

For assistance, visit our Web site: <http://www.panasonic.com/help>
for customers in the U.S.A. or Puerto Rico.

For your safety

To prevent severe injury and loss of life/property, read this section carefully before using the product to ensure proper and safe operation of your product.

WARNING

Power connection

- Use only the power source marked on the product.
- Do not overload power outlets and extension cords. This can result in the risk of fire or electric shock.
- Completely insert the AC adaptor/power plug into the power outlet. Failure to do so may cause electric shock and/or excessive heat resulting in a fire.
- Regularly remove any dust, etc. from the AC adaptor/power plug by pulling it from the power outlet, then wiping with a dry cloth. Accumulated dust may cause an insulation defect from moisture, etc. resulting in a fire.
- Unplug the product from power outlets if it emits smoke, an abnormal smell, or makes an unusual noise. These conditions can cause fire or electric shock. Confirm that smoke has stopped emitting and contact us at www.panasonic.com/contactinfo
- Unplug from power outlets and never touch the inside of the product if its casing has been broken open.
- Never touch the plug with wet hands. Danger of electric shock exists.

Installation

- Do not allow the AC adaptor cord to be excessively pulled, bent or placed under heavy objects.
- Do not connect a power cable to a terminal that is not specified in this guide.
- When opening holes in walls for installation or wiring, or when securing the power cable, make sure you do not damage existing wiring and ductwork.
- Do not perform any actions (such as fabricating, twisting, stretching, bundling, forcibly bending, damaging, altering, exposing to heat sources, or placing heavy objects on the power cable) that may damage the power cable. Using the product with a damaged power cable may cause electric shock, short circuits, or fire. Contact an authorized service center for repairs.

- Do not mount the bracket in an unstable location, in a location subject to frequent vibration, on a ceiling, or on a weak wall. (Do not mount on plaster board, concrete blocks, wooden materials exposed to the outdoors, walls with very rough surfaces, or surfaces that are narrower than the width of the wall mount bracket.) There is a risk of injury if the product falls, or of fire or electric shock if water enters the product.
- The safety wire must be used when mounting the product. There is a risk of injury if the product falls.

Operating safeguards

- Unplug the product from power outlets before cleaning. Do not use liquid or aerosol cleaners.
- Do not disassemble the product.
- Keep the sensor range caps out of the reach of children. There is a risk of swallowing. In the event they are swallowed, seek medical advice immediately.
- Never put metal objects inside the product. If metal objects enter the product, turn off the circuit breaker and contact an authorized service center.

Medical

- Consult the manufacturer of any personal medical devices, such as pacemakers or hearing aids, to determine if they are adequately shielded from external RF (radio frequency) energy. DECT features operate between 1.92 GHz and 1.93 GHz with a peak transmission power of 115 mW. Wi-Fi features operate between 2.412 GHz and 2.462 GHz with a peak transmission power of 100 mW.
- Do not use the product in health care facilities if any regulations posted in the area instruct you not to do so. Hospitals or health care facilities may be using equipment that could be sensitive to external RF energy.

CAUTION

Installation and location

- Never install wiring during an electrical storm.
- The AC adaptor is used as the main disconnect device. Ensure that the AC outlet is installed near the product and is easily accessible.

- If the wiring is underground, do not make any connections underground.
- If the wiring is underground, make sure the power cable and other wiring is properly waterproofed by running the cables through a conduit.

Preventing accidents and injuries

- Do not put your ear(s) near the speaker, as loud sounds emitted from the speaker may cause hearing impairment.
- Do not look directly at the LED lights when they are lit. Failure to do so may cause damage to eyes.

Important safety instructions

When using your product, basic safety precautions should always be followed to reduce the risk of fire, electric shock, and injury to persons, including the following:

1. Use only the power cord in this document.

SAVE THESE INSTRUCTIONS

For best performance**Base unit location/avoiding noise**

The base unit and other compatible Panasonic units use radio waves to communicate with each other.

Environment

- Keep the product away from electrical noise generating devices, such as fluorescent lamps and motors.
- The product should be kept free from excessive smoke, dust, high temperature, and vibration.
- Do not place heavy objects on top of the product.
- When you leave the product unused for a long period of time, unplug the product from the power outlet.
- The product should be kept away from heat sources such as heaters, kitchen stoves, etc. It should not be placed in rooms where the temperature is less than 0 °C (32 °F) or greater than 40 °C (104 °F). Damp basements should also be avoided.

- Do not allow the lens cover or the heat sensor to become scratched or dirty. (This may cause image quality to be reduced, incorrect detections, malfunctions, or damage to the lens cover and heat sensor.)
- Do not expose this product to direct sunlight or other forms of powerful light such as halogen lights for long periods of time. (This may damage the image sensor.)

Routine care

- Wipe the outer surface of the product with a soft moist cloth.
- Do not use benzine, thinner, or any abrasive powder.

Camera image quality

- Camera images may have the following characteristics.
 - Colors in images may differ from the actual colors.
 - When there is light behind the subject (i.e., backlighting), faces may appear dark.
 - Image quality may be reduced in dark locations.
 - Images may appear hazy when there are outdoor lights in use.
- Distinguishing faces is difficult in the following situations.
 - When the person is too far (over approx. 9.8 ft. [3 m]) from the camera even when the surrounding area is bright. (Depending on the viewing angle or the conditions when images were viewed, such as when there are shadows or backlighting, faces may not be distinguishable even when the person is within 9.8 ft. [3 m] of the camera.)
 - In the late afternoon and at night, or other times when the surrounding area is dark. (This may reduce image quality.)
 - When people are moving (which causes blurring) in front of the camera.

Notice:

- This product is designed for use in the United States of America. Sale or use of this product in other countries may violate local laws.
- Cet appareil est conçu pour être utilisé aux États-Unis d'Amérique. La vente ou l'emploi de cet appareil dans certains autres pays peut constituer une infraction à la législation locale.
- Este producto está diseñado para usarse en los Estados Unidos de América. La venta o el empleo de este producto en ciertos países puede constituir violación de la legislación local.
- 本產品專為美國使用而設。若在其他國家銷售或使用，可能會違反當地法例。
- この製品は、日本国外での使用を目的として設計されており、日本国内での使用は法律違反となります。従って、当社では日本国内においては原則として修理などのサービスは致しかねます。

FCC and other information

This device complies with Part 15 of the FCC Rules. Operation is subject to the following two conditions:

(1) This device may not cause harmful interference, and (2) this device must accept any interference received, including interference that may cause undesired operation.

Privacy of communications may not be ensured when using this phone.

CAUTION:

Any changes or modifications not expressly approved by the party responsible for compliance could void the user's authority to operate this device.

NOTE:

This equipment has been tested and found to comply with the limits for a Class B digital device, pursuant to Part 15 of the FCC Rules. These limits are designed to provide reasonable protection against harmful interference in a residential installation. This equipment generates, uses, and can radiate radio frequency energy and, if not installed and used in accordance with the instructions, may cause harmful interference to radio communications. However, there is no guarantee that interference will not occur in a particular installation. If this equipment does cause harmful interference to radio or television reception, which can be determined by turning the equipment off and on, the user is encouraged to try to correct the interference by one or more of the following measures:

- Reorient or relocate the receiving antenna.
- Increase the separation between the equipment and receiver.
- Connect the equipment into an outlet on a circuit different from that to which the receiver is connected.
- Consult the dealer or an experienced radio/TV technician for help.

Some cordless telephones operate at frequencies that may cause interference to nearby TVs and VCRs. To minimize or prevent such interference, the base of the cordless telephone should not be placed near or on top of a TV or VCR. If interference is experienced, move the cordless telephone

further away from the TV or VCR. This will often reduce or eliminate interference.

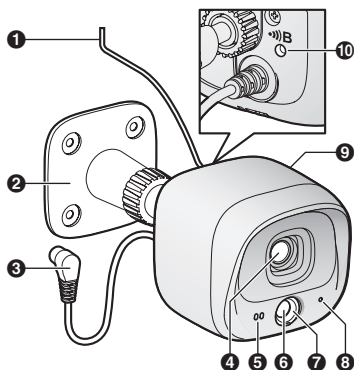
FCC RF Exposure Warning:

- This product complies with FCC radiation exposure limits set forth for an uncontrolled environment.
- To comply with FCC RF exposure requirements, the base unit must be installed and operated 20 cm (8 inches) or more between the product and all person's body.
- This product may not be collocated or operated in conjunction with any other antenna or transmitter.
- For body-worn operation, the handset must be used only with a non-metallic accessory. Use of other accessories may not ensure compliance with FCC RF exposure requirements.

Notice:

- FCC ID can be found inside the battery compartment or on the bottom of the units.

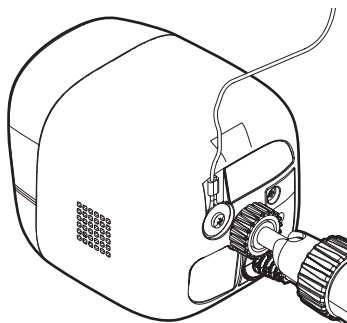
Physical features



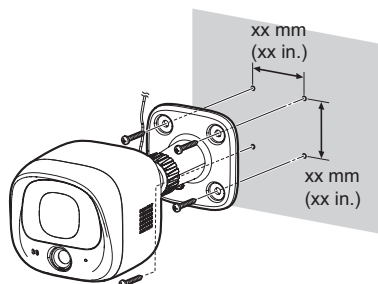
- 1 Safety wire
- 2 Stand
- 3 DC cable
- 4 Lens unit
- 5 Microphone
- 6 Infrared sensor
- 7 Sensor area adjustment cap
- 8 Status light
- 9 Speaker
- 10 Registration button

Installation

- 1 Attach the safety wire to the rear of the camera.



- 2 Attach the stand to the outside wall.



- 3 Attach the safety wire to the outside wall.
- 4 Attach the camera to the stand.
- 5 Adjust the position of the camera.
- 6 Insert the DC cable through the wall and connect it to the AC adaptor.

Specifications

- **Frequency range**
DECT:
 1.92 GHz–1.93 GHz
Wi-Fi:
 2.412 GHz–2.462 GHz (channels 1–11)
- **Power source**
 120 V AC, 60 Hz
- **Operating conditions**
 -20 °C–50 °C (-4 °F–122°F)
 up to 90% relative air humidity
 (non-condensing)
- **Transmitting range**
 Approx. 100 m (328 feet) (line-of-sight
 distance from the base unit)
- **Image sensor**
 0.3· megapixel CMOS
- **Minimum illuminance required**
 1 lx^{*1}
- **Focal length**
 Fixed, 0.4 m (1.3 feet)–infinity
- **Angular field of view (camera angle)**
 Horizontal: approx. 70°
 Vertical: approx. 53°
- **Sensor detection method**
 Pyroelectric infrared sensor (heat sensor)
 and motion detection
- **Heat sensor detection range^{*2}**
 Horizontal: approx. 63°
 Vertical: approx. 20°
 Distance: approx. 5 m (16.4 feet)
- **Motion detection sensor detection range**
 Horizontal: approx. 53°
 Vertical: approx. 41°
- **Lighting method**
 2 white LED lights^{*3}
- **IP rating**
 IP55^{*4}
- **Adjustable mounting angles^{*5}**
 Horizontal: ±90°
 Vertical: facing forward - facing down
 approx. 60°
- **Heat sensor adjustable angles**
 Manually adjustable to 2 angles

*1 The minimum illuminance required when the camera's [Brightness] setting is set to [+3].

*2 When the surrounding temperature is approx. 20 °C (68 °F).

*3 Approx. 8.5 lx when 3 m (9.8 feet) in front of the camera, and approx. 4 lx when 3 m (9.8 feet) away and 20° to the left or right of the camera.

*4 Water resistance is only assured if the camera is installed correctly according to the instructions in the Installation Guide,

and appropriate water protection measures are taken. Do not install the camera in areas directly exposed to water or rain.

*5 Adjustable when mounting.

Panasonic Corporation of North America
Two Riverfront Plaza, Newark, NJ 07102-5490

© Panasonic System Networks Co., Ltd. 2014

Printed in China