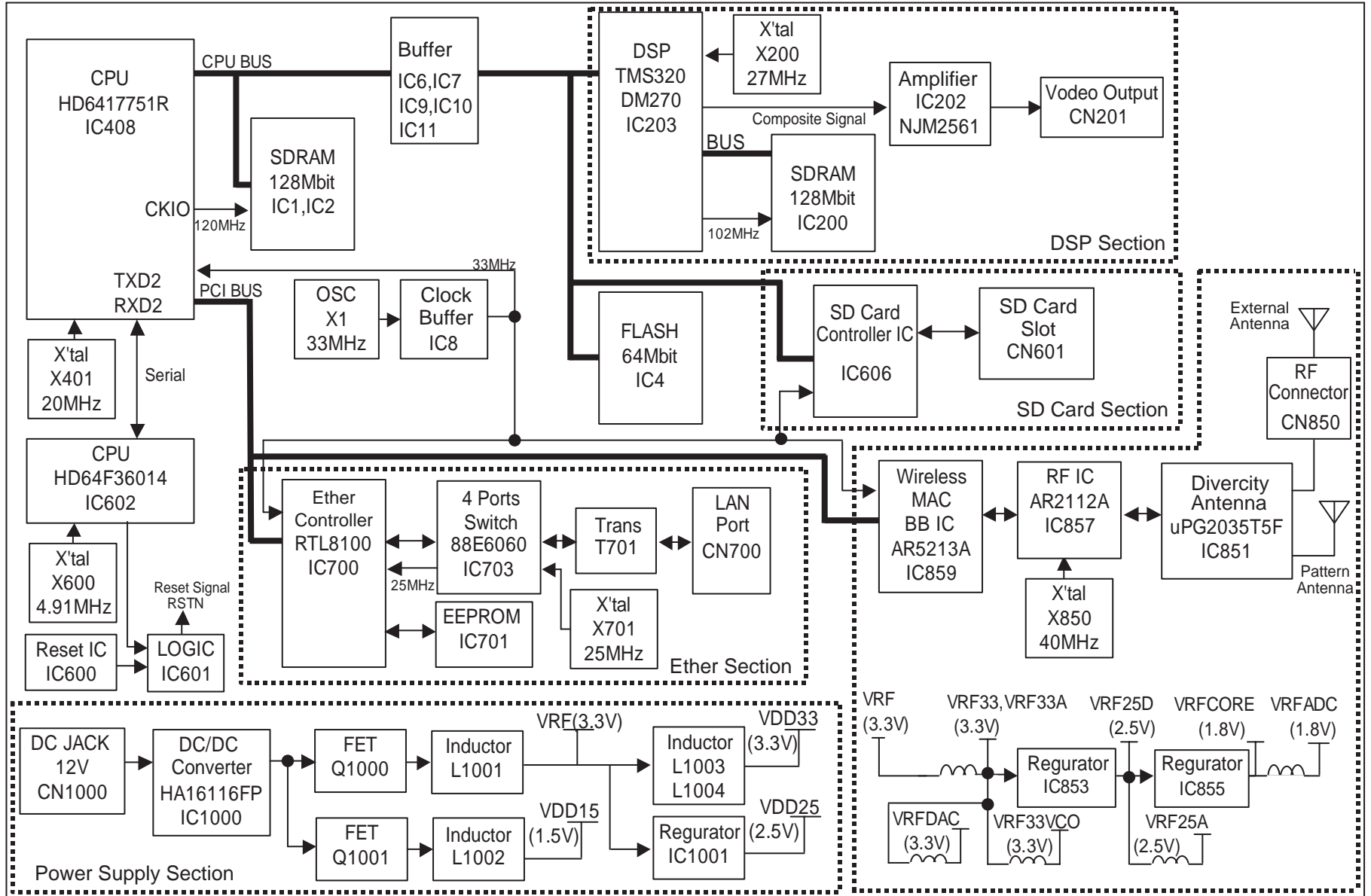


# 10 BLOCK DIAGRAM



BL-WV10A BLOCK DIAGRAM