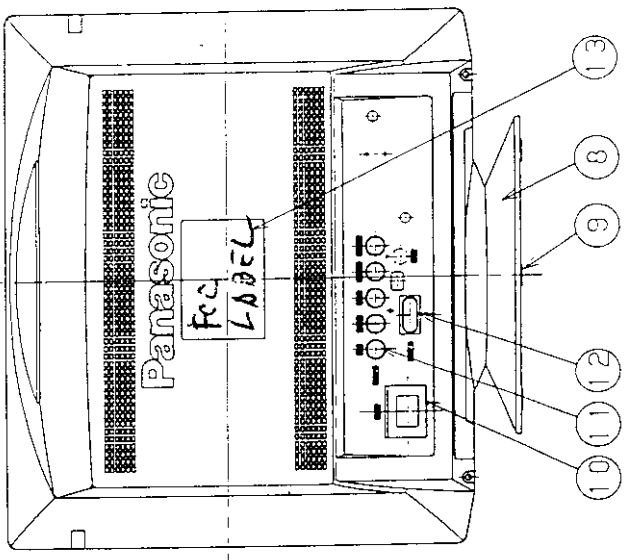
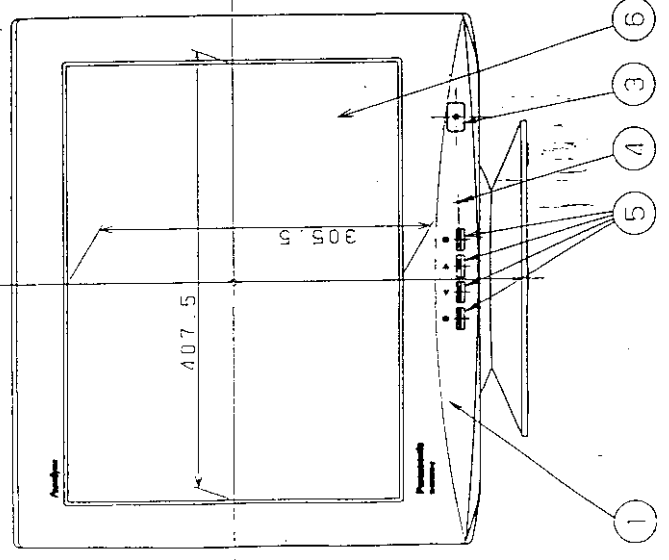
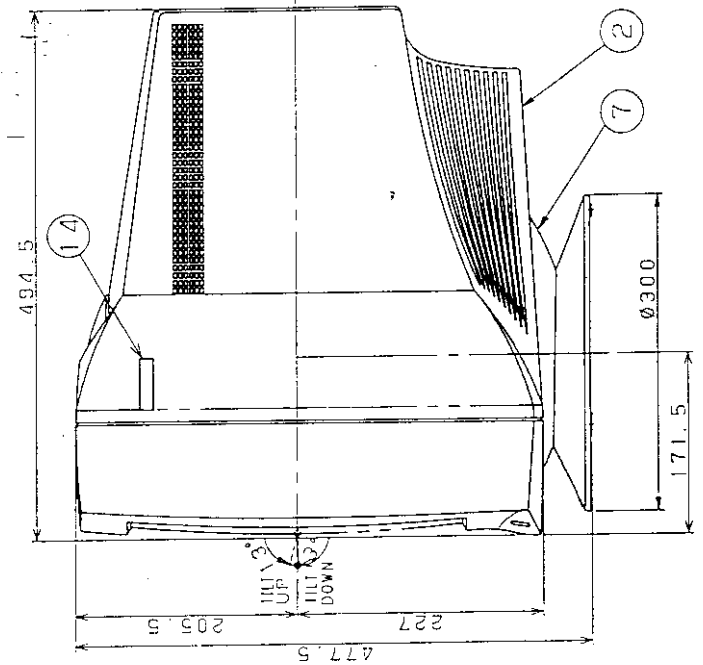
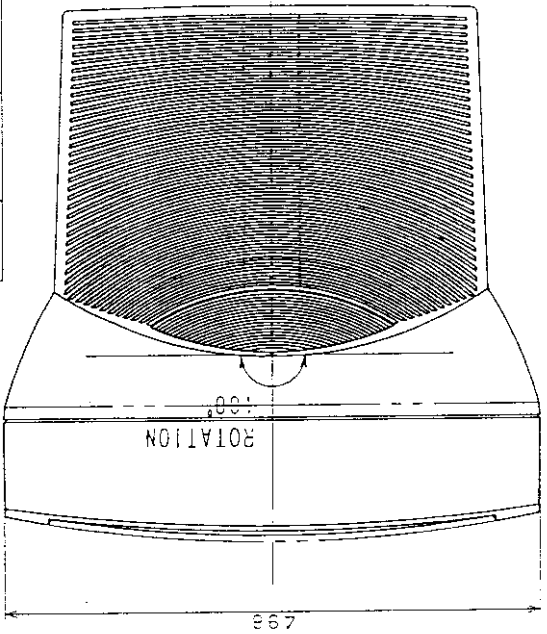




SYM.	DATE	REVISION	SIGNED	CHECKED

TX-D1F64MA



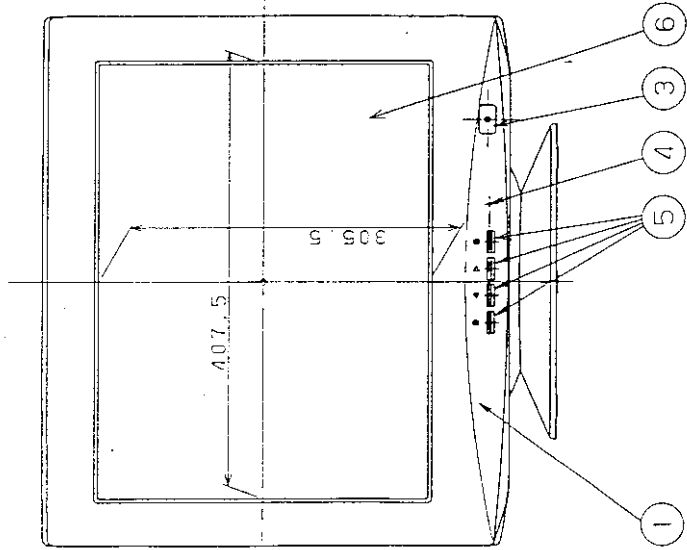
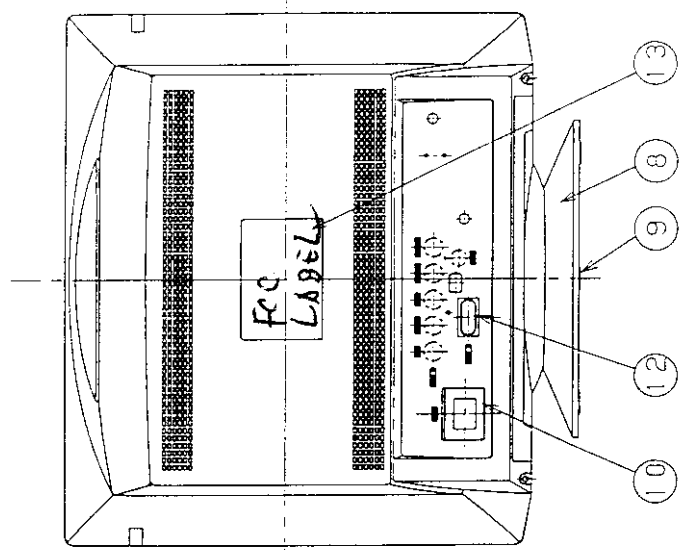
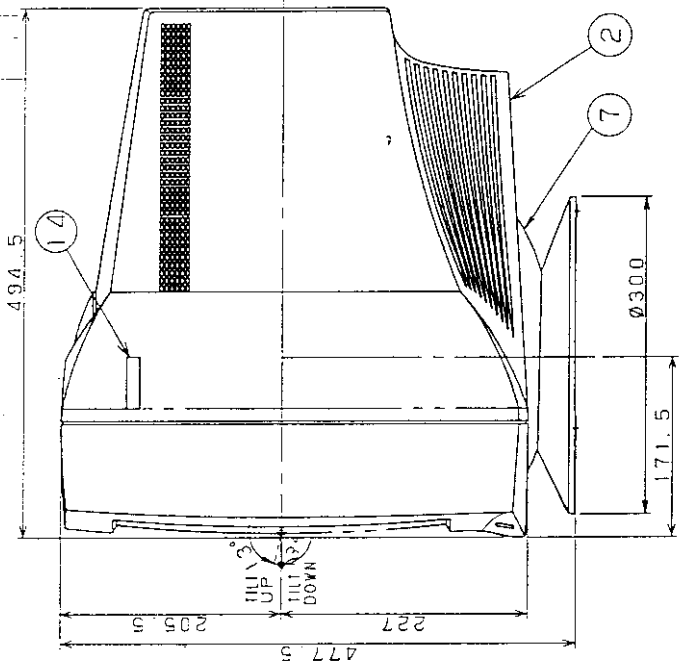
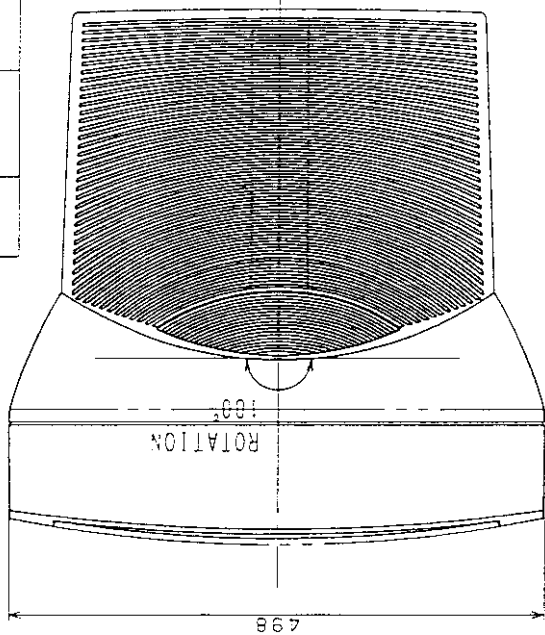
PART NAME	MATERIAL	COLOR	REMARK
FRONT CABINET	ABS+PVC	IVORY	TEXTURE, PRINT COLOR: GRAY
REAR CABINET	ABS+PVC	IVORY	TEXTURE
POWER SW	PC+ABS	IVORY	TEXTURE
POWER INDICATOR	PC	GREEN/YELLOW	TEXTURE
CONTROL BUTTON	ABS	IVORY	TEXTURE
1" COLOR CRT.			
TOP CABINET	ABS	IVORY	
EDISTAL	ABS+PVC	IVORY	TEXTURE
UM FOOT	URETHANE	BLACK	
C RECIPIACLE		BLACK	
CONNECTOR		BNC (K5) R.G. B. HV-SYNC	
CONNECTOR		D-SUB Mini15P	
NAME PLATE	POLYMER SHEET	SILVER	LETTER: BLACK
CRT V COVER	ABS	IVORY	TEXTURE

NOTE: / KOMINE Y. MOTOR  
 93.08.19 93.08.19  
 PART NO. TX-D1F64MA  
 RAJTOH ROSHMARA FILE  
 ENG. DEPT. SECT.

SYM.	DATE	REVISION	SIGNED	CHECKED

ART NAME	MATERIAL	COLOR	REMARK
FRONT CABINET	ABS/PVC	IVORY	TEXTURE
REAR CABINET	ABS/PVC	IVORY	TEXTURE
POWER SW	PC/ABS	IVORY	TEXTURE
POWER INDICATOR	PC	GREEN/YELLOW	TEXTURE
CONTROL BUTTON	ABS	IVORY	TEXTURE
COLOR CRT			
CONTROL CABINET	ABS	IVORY	TEXTURE
DESTAL	ABS/PVC	IVORY	TEXTURE
4 FOOT	URETHANE	BLACK	
RECEPTACLE		BLACK	
CONNECTOR			D-SUB Mini15P
NAME PLATE	POYMER SHEET	SILVER	LETTER: BLACK
POWER COVER	ABS	IVORY	TEXTURE

TX-D1F64MB  
TX-D1F64NMB



NOTE	ENG. DEPT. SECT.
Y. NISHIOKI	PARTY NO.
93.05.28	93.05.28
NATION	OCASMARK TITLE
TX-D1F64NMB	TX-D1F64NMB