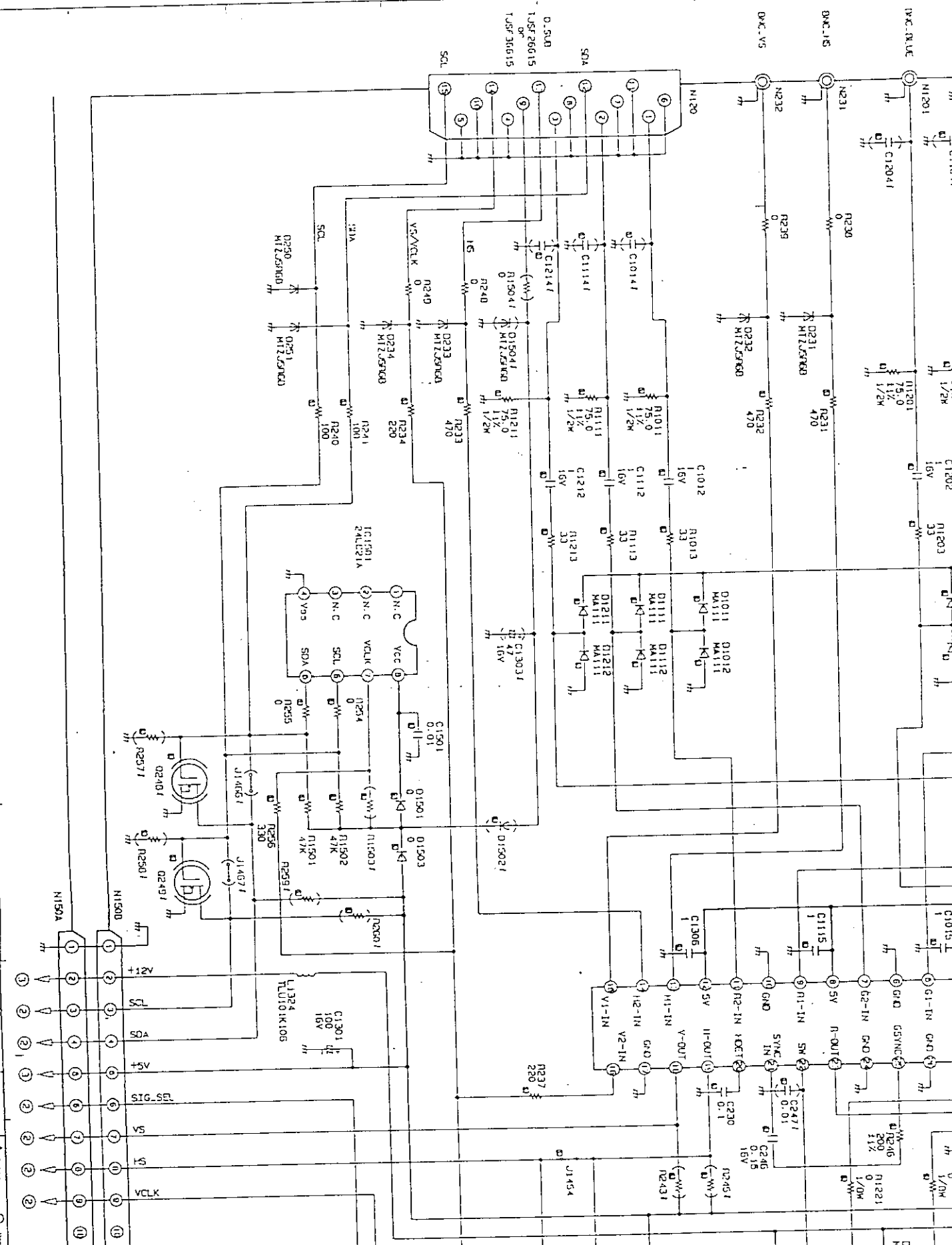


Important safety notice
 Components identified by Δ mark
 have special characteristics
 important for safety.
 When replacing any of components,
 use only manufacturer's
 specified parts.

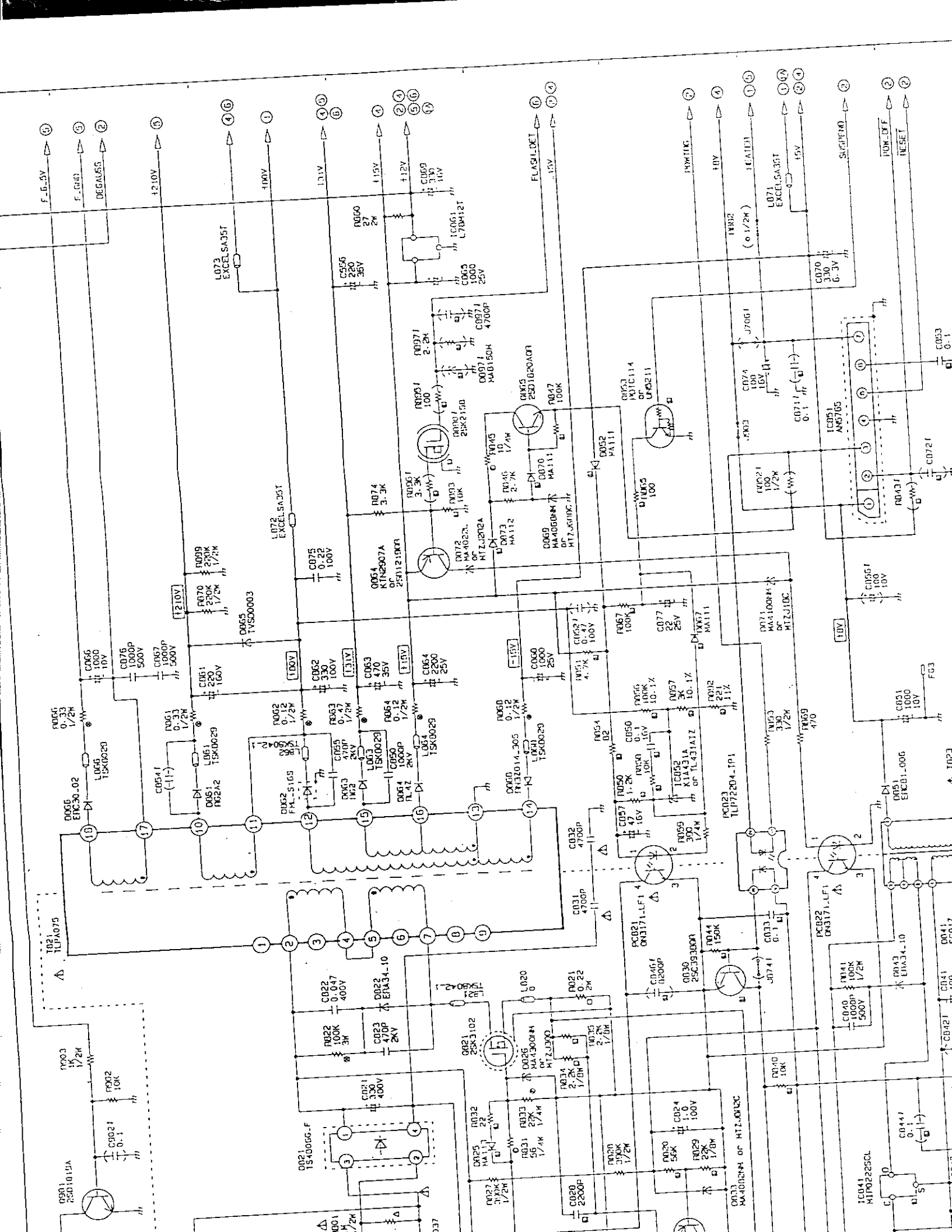
DATE	REVISION	SIGNED	CHECKED	DATE

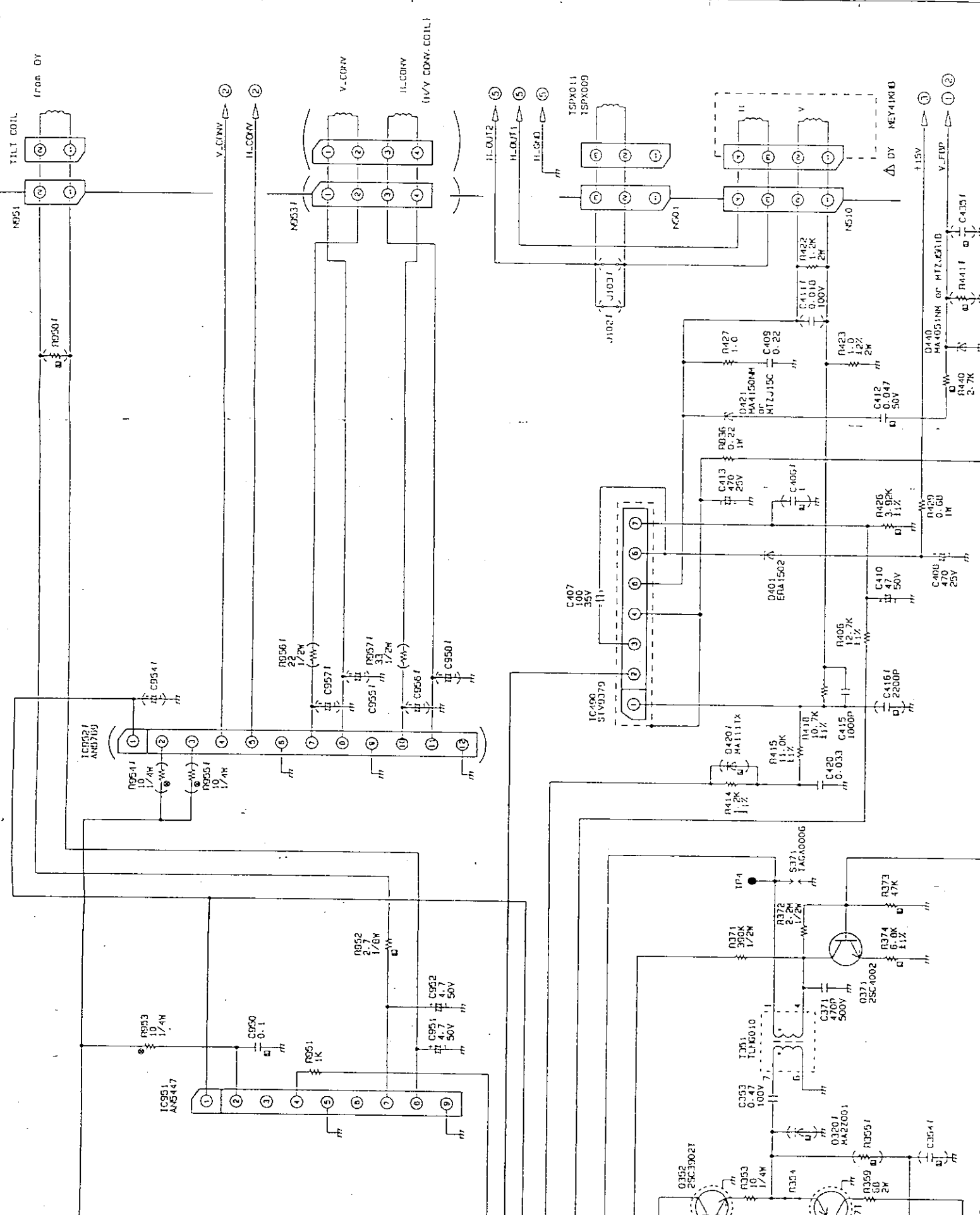
DATE	REVISION	SIGNED	CHECKED

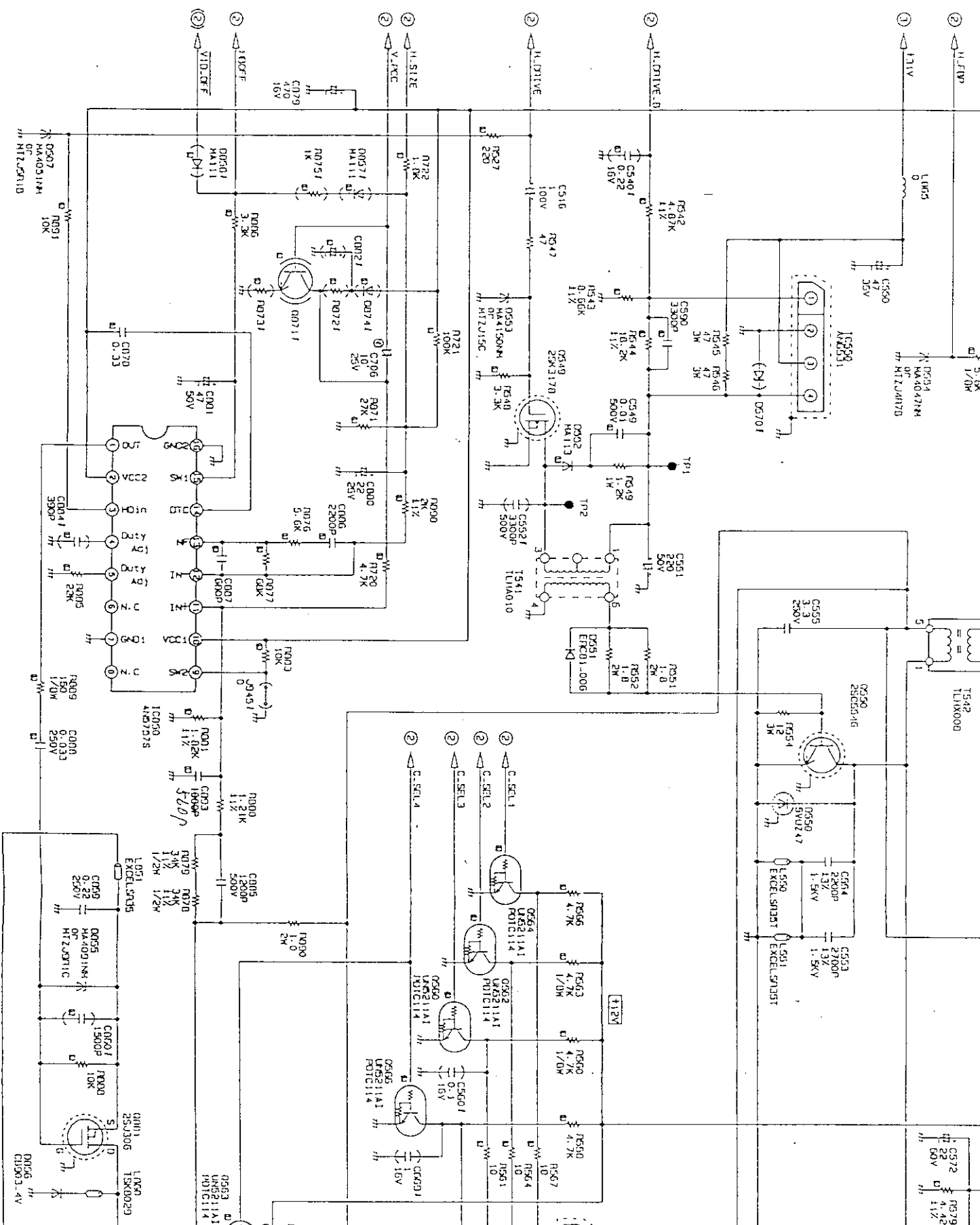
RESISTOR	CAPACITOR	WIRE	PREPARED
Δ Solid	\square Polystyrene	\circ Wire	
\square Carbon	\square Polyester	\square Wire	
\square Metal Film	\square Other	\square Wire	



MATSUBITA ELECTRIC INDUSTRIAL CO., LTD.







2

3

4

5

6

7

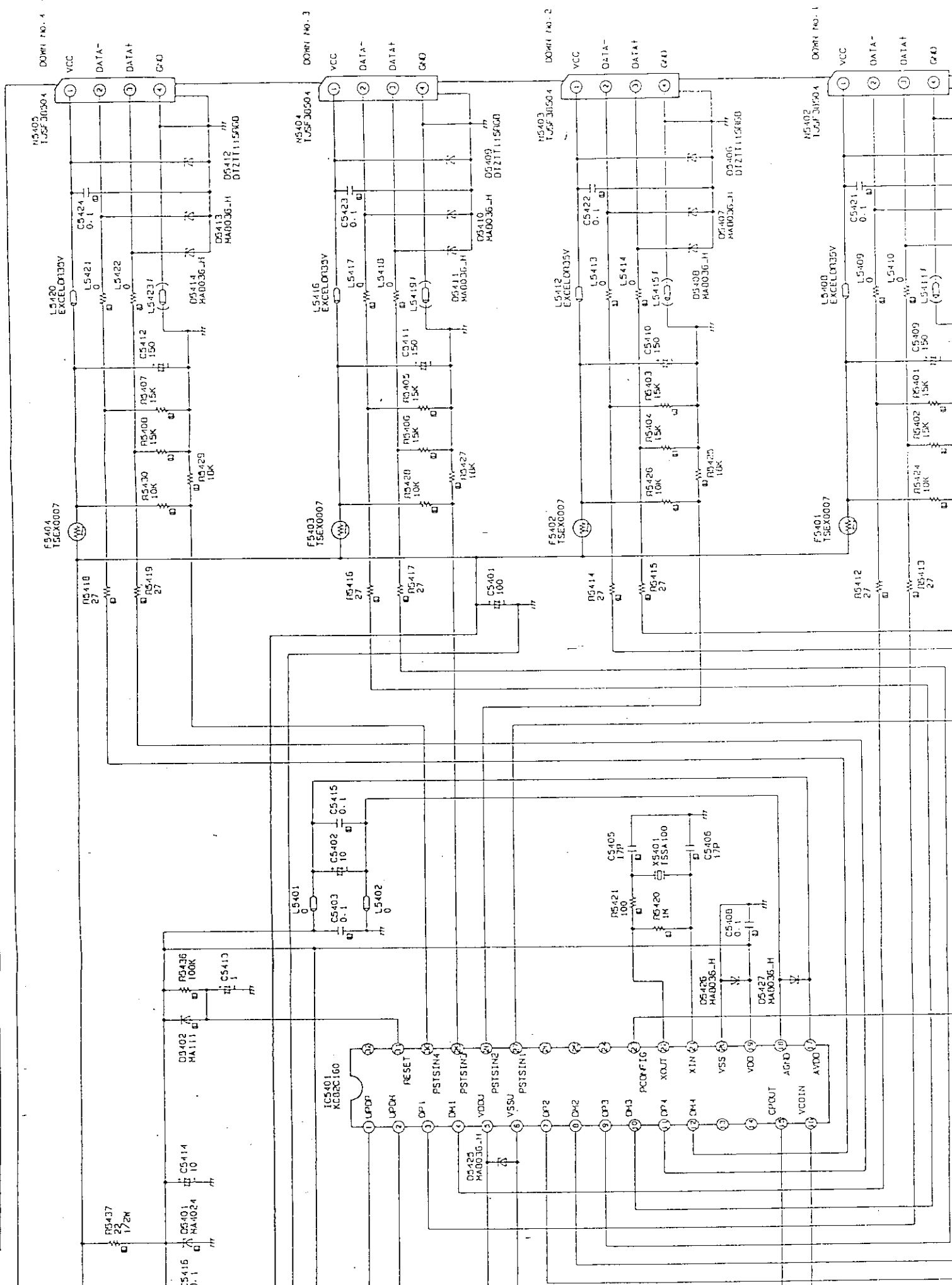
8

TNPH0257

Important safety notice
Components identified by Δ mark
have special characteristics
important for safety.

RESISTOR	CAPACITOR	DIODE	TRANSISTOR	RELAY	SOLENOID
\square	\square	Δ	\square	\square	\square
SOLID	SOLID	DIODE	TRANSISTOR	RELAY	SOLENOID

SCHEMATIC DIAGRAM FOR MODEL No. :
 TY-LD65A
 TY-LD64A



DOMR No. 4

DOMR No. 3

DOMR No. 2

DOMR No. 1

