

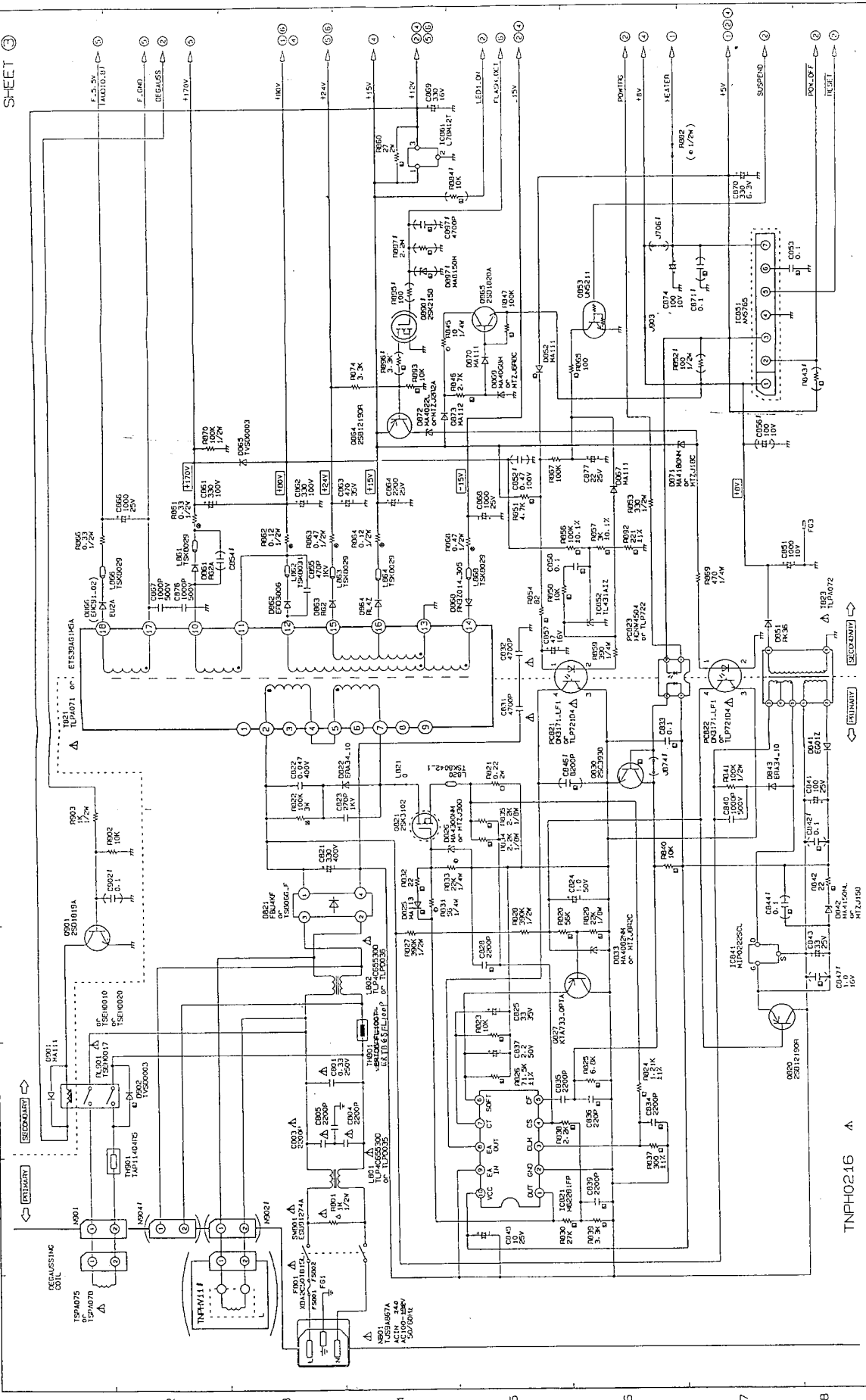
TNP0215 A

REVISION	DATE	BY	CHKD	APPROVED
1				
2				
3				
4				
5				
6				
7				
8				

NO.	DESCRIPTION	DATE	BY	CHKD	APPROVED
1	ISSUED	1977.10.30			
2	REVISED	1977.10.30			
3	REVISED	1977.10.30			
4	REVISED	1977.10.30			
5	REVISED	1977.10.30			
6	REVISED	1977.10.30			
7	REVISED	1977.10.30			
8	REVISED	1977.10.30			

NO.	DESCRIPTION	DATE	BY	CHKD	APPROVED
1	ISSUED	1977.10.30			
2	REVISED	1977.10.30			
3	REVISED	1977.10.30			
4	REVISED	1977.10.30			
5	REVISED	1977.10.30			
6	REVISED	1977.10.30			
7	REVISED	1977.10.30			
8	REVISED	1977.10.30			

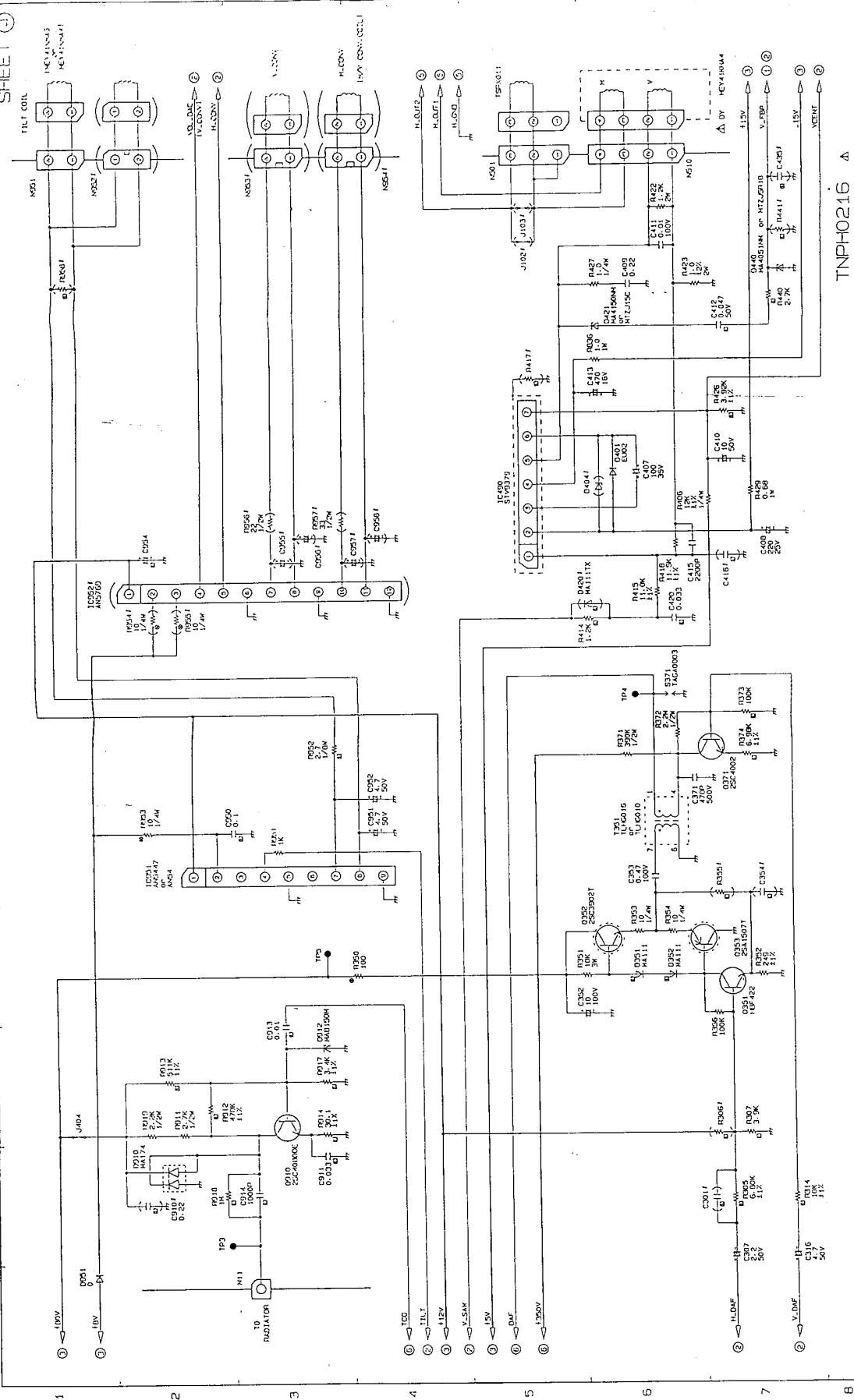
MATSUBISHI ELECTRIC INDUSTRIAL CO., LTD.



NO.	DATE	REVISION	BY	CHKD.	APPROVED	TITLE	SECTION	REVISION	DATE	BY	CHKD.	APPROVED
1												
2												
3												
4												
5												
6												
7												
8												

MATSUBISHITA ELECTRIC INDUSTRIAL CO., LTD.

Important Note: This drawing is the property of MATSUBISHITA ELECTRIC INDUSTRIAL CO., LTD. and is not to be reproduced without the written permission of the company. The application use of components, parts and materials, including parts, must be in accordance with the specifications of MATSUBISHITA ELECTRIC INDUSTRIAL CO., LTD.

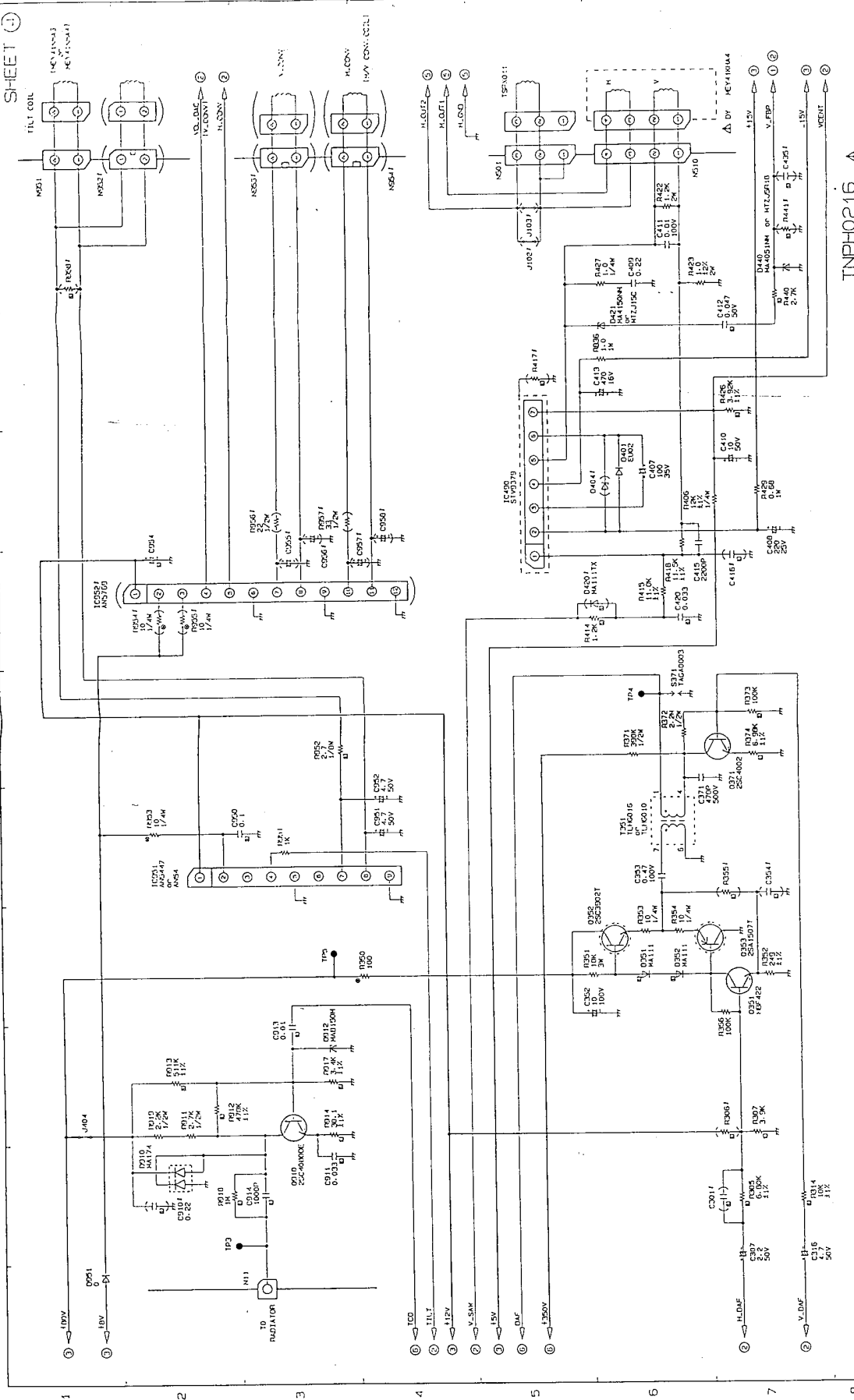


TNPH0216 A

REVISION	DATE	BY	CHKD	APPROVED
1	1973.11.4	Y. ITO		
2	1973.11.4	Y. ITO		
3	1973.11.4	Y. ITO		
4	1973.11.4	Y. ITO		
5	1973.11.4	Y. ITO		
6	1973.11.4	Y. ITO		
7	1973.11.4	Y. ITO		
8	1973.11.4	Y. ITO		

MATSUSHITA ELECTRIC INDUSTRIAL CO., LTD.

SHEET 1



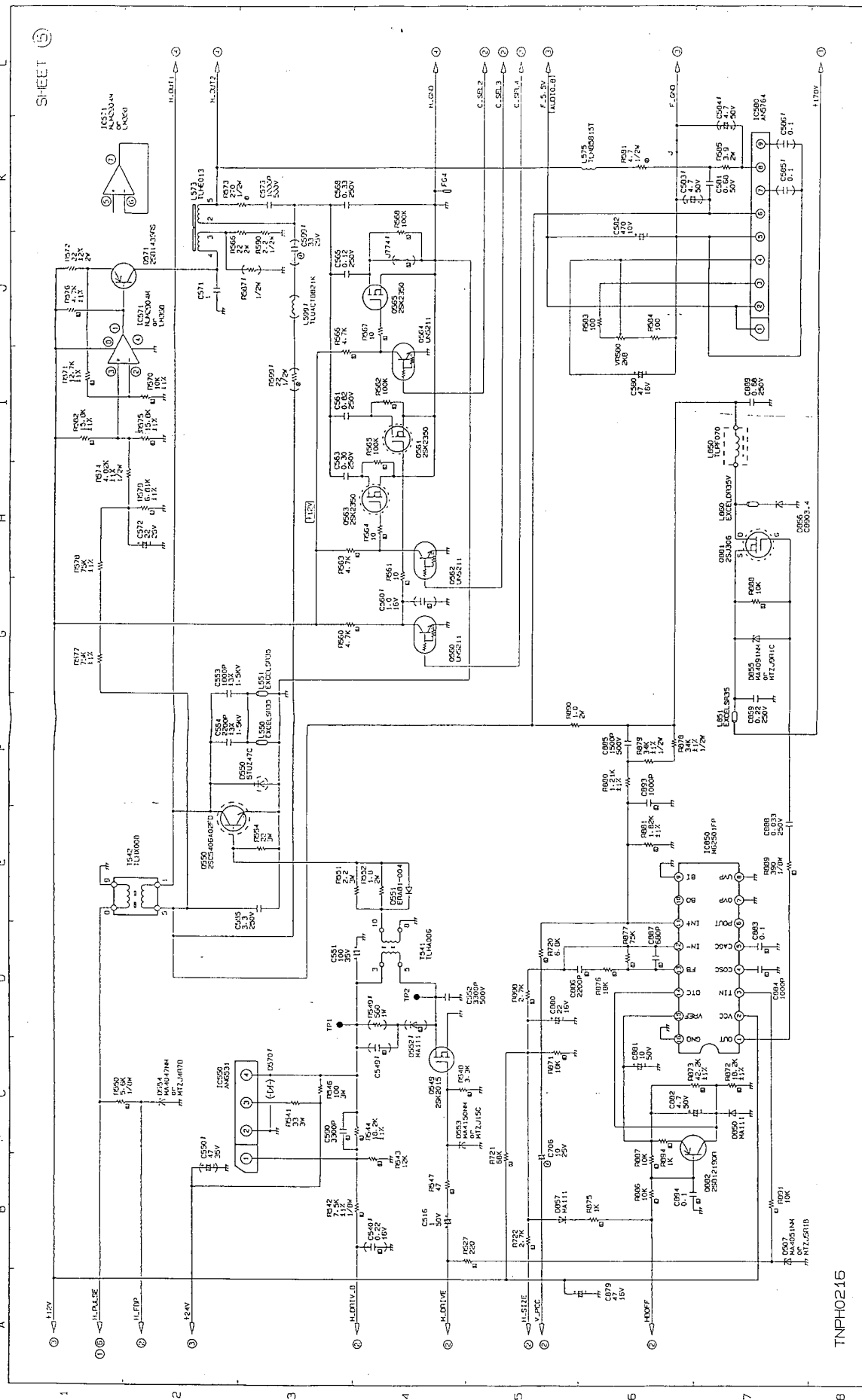
TNP0216 A

REVISION	DATE	BY	CHKD	APPD	REVISION	DATE	BY	CHKD	APPD
1					1				
2					2				
3					3				
4					4				
5					5				
6					6				
7					7				
8					8				

TITLE: TNP0216 A
 DRAWING NO.: TNP0216 A
 REVISED: 1977.10.30
 DRAWN: TNP0216 A
 CHECKED: TNP0216 A
 APPROVED: TNP0216 A

MATSUSHITA ELECTRIC INDUSTRIAL CO., LTD.

Important safety notice
 Components characteristic
 Important for safety.
 when replacing any of components,
 use only manufacturer's
 SPECIFIED part.



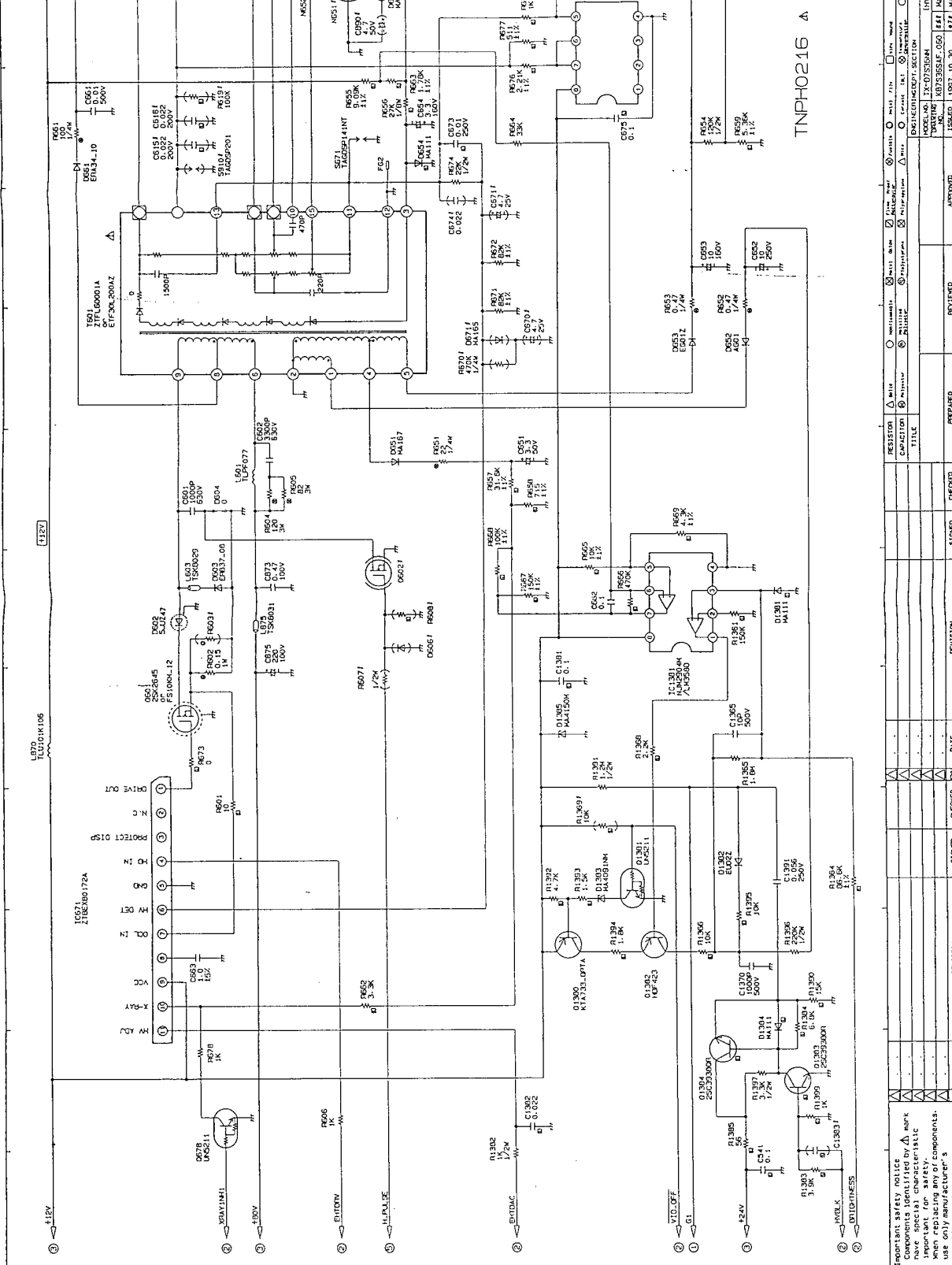
REVISION	DATE	BY	CHKD	REVISED	REVISION	DATE	BY	CHKD
1								
2								
3								
4								
5								
6								
7								
8								

REVISION	DATE	BY	CHKD	REVISED	REVISION	DATE	BY	CHKD
1								
2								
3								
4								
5								
6								
7								
8								

MATSUSHITA ELECTRIC INDUSTRIAL CO., LTD.

IMPORTANT SAFETY NOTICE
 Components identified by a triangle symbol have special characteristics important for safety. Components identified by a square symbol are only manufacturer's specified parts.

TNPH0215



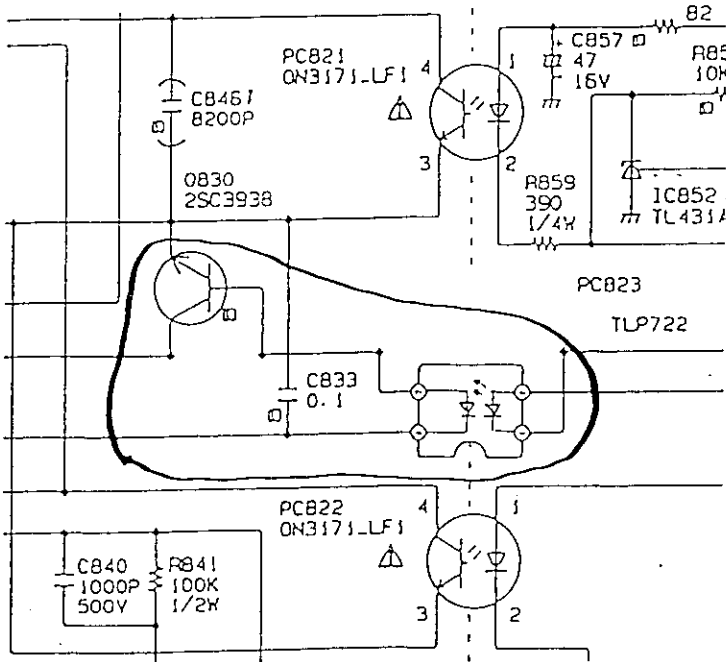
TNPH0216

REVISION	DATE	BY	CHKD	APPROVED	REVISION	DATE	BY	CHKD	APPROVED
1					1				
2					2				
3					3				
4					4				
5					5				
6					6				
7					7				
8					8				

Important safety notice: This product is a special characteristic product. It is important for safety. When replacing any of components, use only manufacturer's specified parts.

MATSUSHITA ELECTRIC INDUSTRIAL CO., LTD.

Schematic Diagram for
Alternative Optocoupler PC823

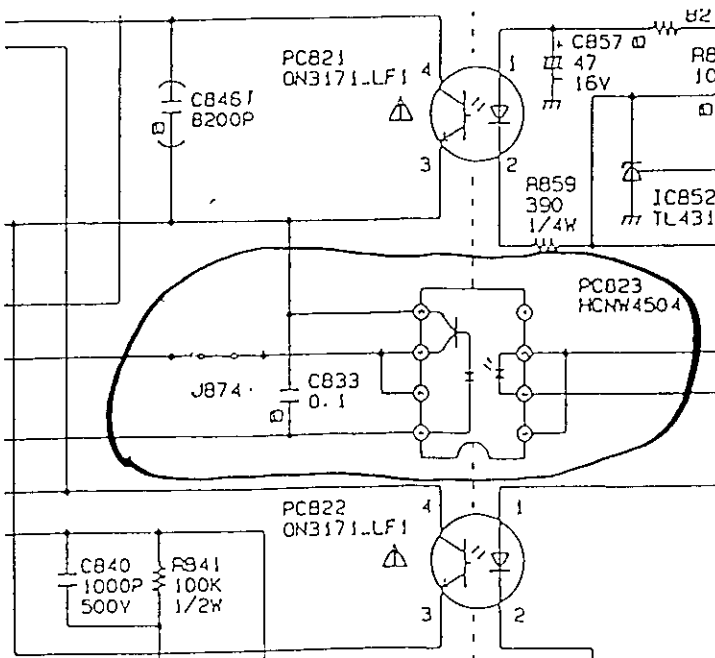


< CASE 1 >

PC823 : TLP722

Q830 : 2SC3938

J874 : NONE



< CASE 2 >

PC823 : HCNW4504

Q830 : NONE

J874 : CONNECT