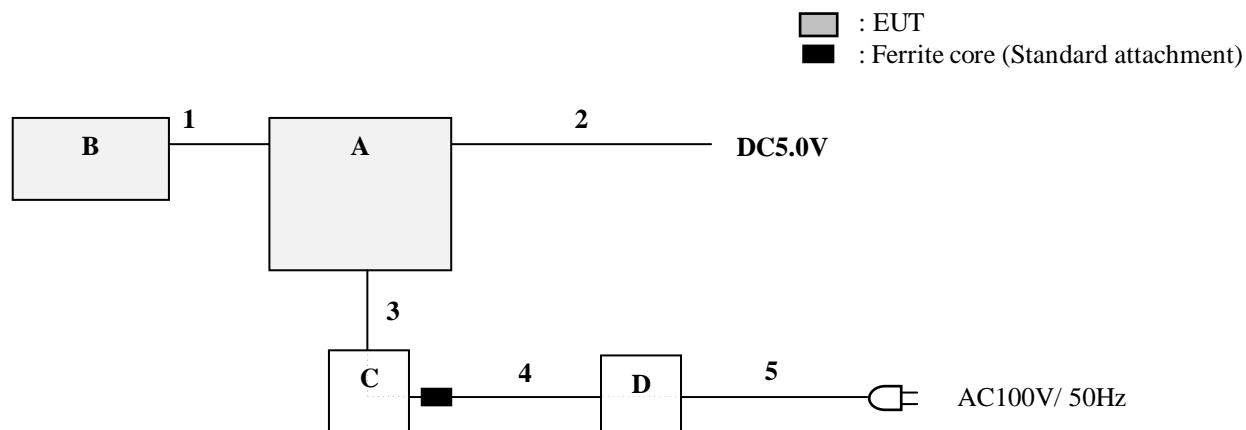


## 4.2 Configuration and peripherals



\* Test data was taken under worse case conditions.

### Description of EUT and support equipment

No.	Item	Model number	Serial number	Manufacturer	Remarks
A	Bluetooth Module Assy	YEAP01A446	17	Panasonic Corporation	EUT
B	Monopole Antenna	N1KYYYYY00019	-	NISSEI ELECTRIC CO., LTD.	EUT
C	Test Jig	PCA-A-036702	48641	Panasonic Corporation	-
D	AC Adaptor	SA06-20S05R-V	R00100300177	AUTEC POWER SYSTEMS	-

### List of cables used

No.	Cable name	Length (m)	Shield		Remark
			Cable	Connector	
1	Antenna	0.03	Shielded	Shielded	-
2	DC	1.4	Unshielded	Unshielded	-
3	Signal	0.2	Unshielded	Unshielded	-
4	DC	1.2	Unshielded	Unshielded	-
5	AC	2.0	Unshielded	Unshielded	-

**UL Japan, Inc.**

**Shonan EMC Lab.**

1-22-3 Megumigaoka, Hiratsuka-shi, Kanagawa-ken, 259-1220 JAPAN

Telephone : +81 463 50 6400

Facsimile : +81 463 50 6401