

Bluetooth & WiFi antenna Specification

Model:AT2402

Panasonic

1. Information of the maker

Company Name: NISSEI ELECTRIC CO., LTD.

Address: 1509 Okubo-cho, Chuo-ku, Hamamatsu-shi, Shizuoka-ken 432-8006 Japan

2. Antenna Type : Inverted F type antenna

3. Model Number :

(for Hi type model (LCD 10.5 inch))

Antenna Left N1KYYYY00099

Antenna Right N1KYYYY00101

4. Antenna Gain :

(for Hi type model (LCD 10.5 inch))

Model: N1KYYYY00099 WiFi 2.4GHz +4.00dBi, WiFi 5GHz +5.00dBi

Model: N1KYYYY00101 WiFi 5GHz +5.00dBi, Bluetooth/BLE +4.00dBi

※The above values include cable loss.

5. Frequency Range :

Model: N1KYYYY00099, N1KYYYY00101

From 2400MHz to 2500MHz and From 5000MHz to 6000MHz

6. Appearance figure : Refer to Fig.1, : Refer to Fig.2

Cable Length:

N1KYYYY00099 212 mm, N1KYYYY00101 118 mm

7. Cable Loss

2.4GHz: 3.10dB/m

5GHz: 4.85dB/m

8. Connector Type: U.FL (Refer to Fig.1 ⑤, Refer to Fig.2 ⑤)

9. Impedance:

Model: N1KYYYY00099, N1KYYYY00101 50Ω

★Model: : N1KYYYY00099

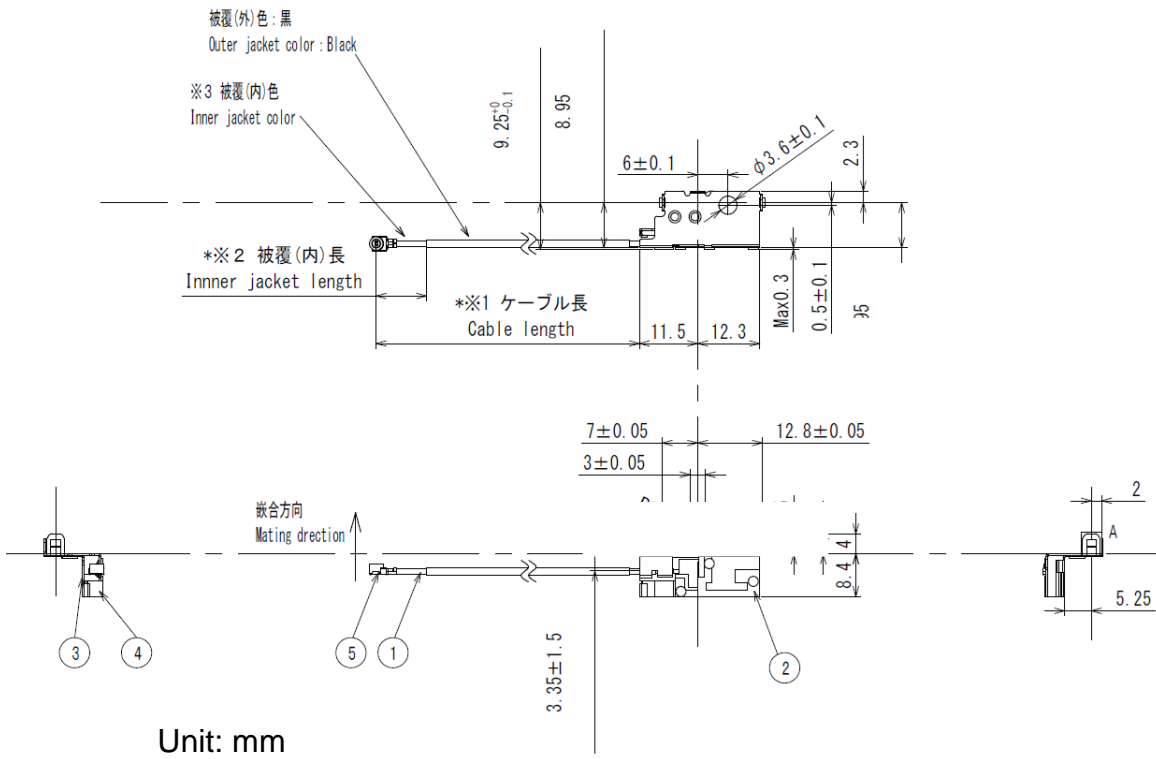


Fig.1

★Model: N1KYYYY00101

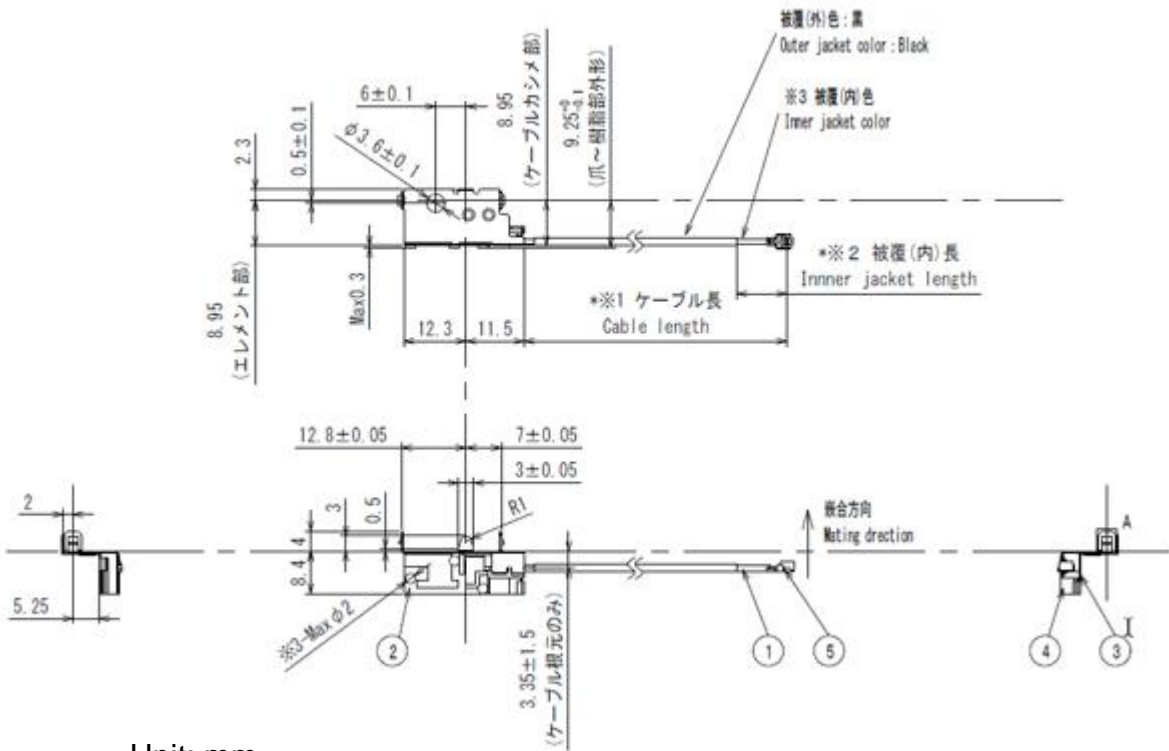


Fig.2