

# Internal Photos AT1605

Confidential  
Period:Unlimited  
秘:無期限  
Panasonic



Fig.1 ESC ASSY OPEN

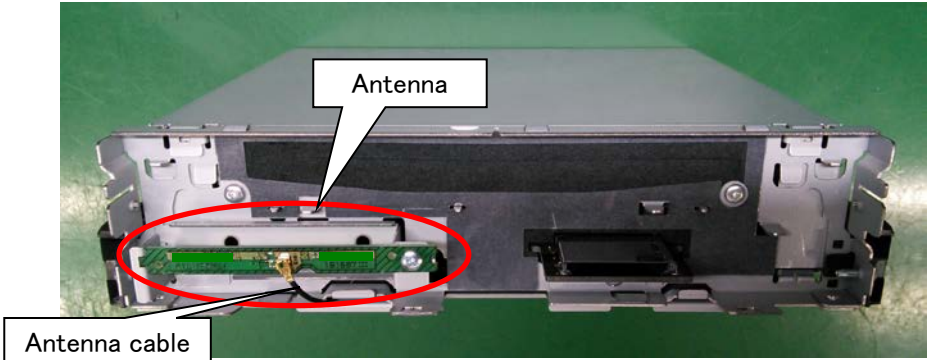


Fig.2 Without ESC ASSY

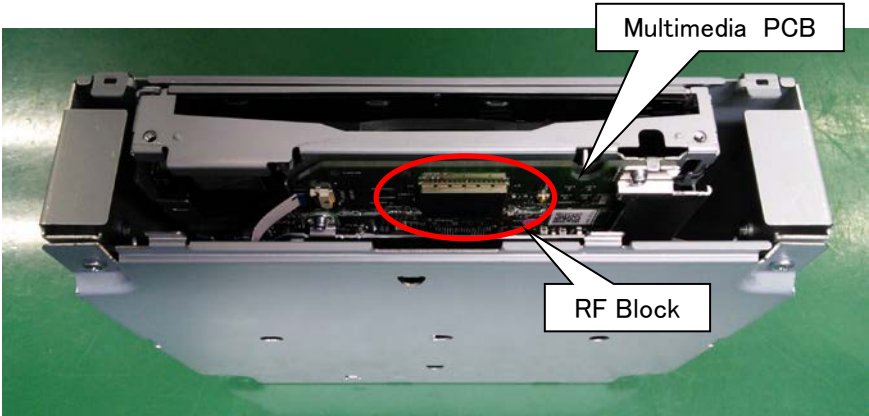


Fig.3 Without Front Plate

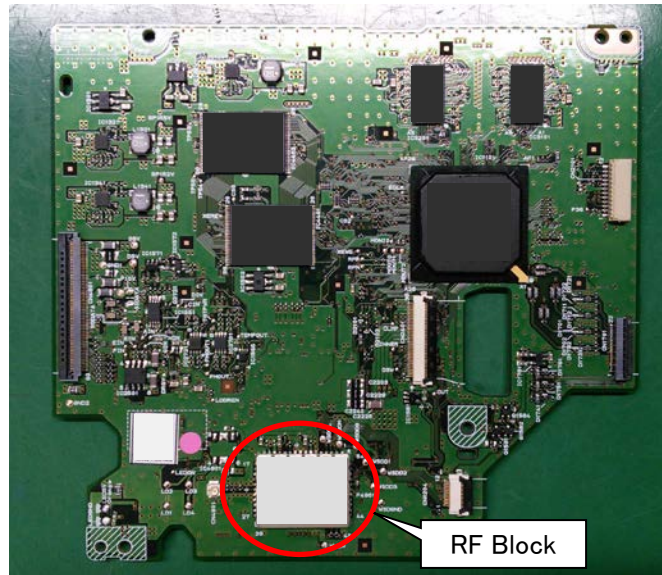


Fig.4 Multimedia PCB (Surface side)

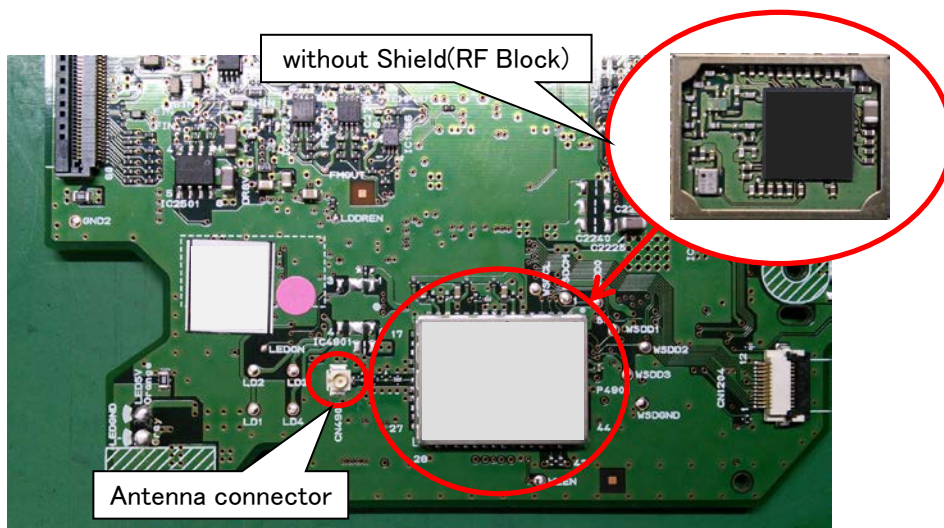


Fig.5 RF Block

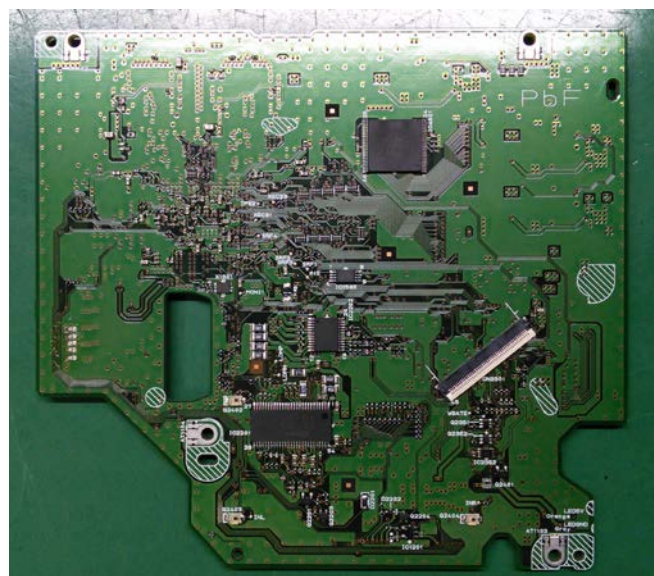


Fig.6 Multimedia PCB (Back side)