

Description of RF Lighting Device

1) Type(s) of emission

Not applicable

2) Frequency range

100 kHz  $\pm$  10 kHz

3) Range of operating power and description of means provided for variation of operating power

Not applicable

4) Maximum power rating as defined in the applicable rules

Not applicable

5) The voltage applied to and currents into the several elements of the final radio frequency amplifying device for normal operation over the power range. Indicate whether these voltages and currents are DC or AC.

Input Voltage (circuit diagram Point No. 2) = 4.5 V (DC)

Input Current (circuit diagram Point No. 2) = 310 mA (DC)

6) Function of each electron tube, semiconductor or other active circuit device.

a. Switching transistor

Q9101, Q9102 : 2SD1119  $\times$  2 or 2SD2150  $\times$  2

b. Pulse transformer

T9101 : ETJ11K95AM or ETJ11K114AM

Input Voltage : 4.5 V DC

Output Voltage : 850 V AC (at no load)

c. Choke coil

L9101 : SLF6028T680M

Inductance : 68  $\mu$ H

d. Fluorescent lamp

PL9101 : LSLL0023 or LSLL0024

Tube voltage : 300 V AC

Power consumption: 1.2 W

7) Brock diagram

See EXHIBIT # 5

- 8) Operating Instruction manual. If the operating instruction manuals are not available when the application is filed a set of draft instructions should be provided and complete instruction manuals should be submitted as soon as available.
- 9) Tune up procedure over the power range or at specific operating power levels.

Not applicable

- 10) A description of all circuitry and devices provided for deterring and stabilizing frequency.

Oscillator circuit : Blocking oscillator DC-AC inverter

Pulse transformer : ETJ11K95AM or ETJ11K114AM

Switching Transistor : Q9101, Q9102 (2SD1119 × 2 or 2SD2150 × 2)

- 11) A description of any circuits for devices employed for suppression of spurious radiation, for limiting modulation, and for limiting the operating power.

Not applicable

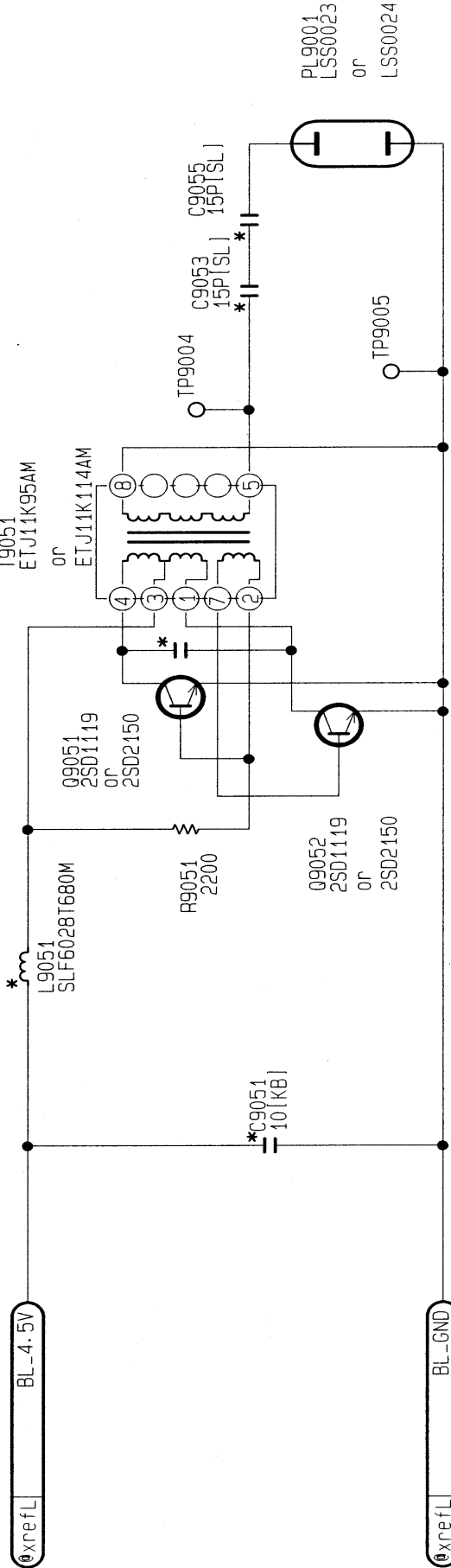
- 12) A photograph or drawing of the equipment identification label, silk-screened or molding showing the information to be placed there on.

See EXHIBIT # 1 and # 2.

	C9053	C9055
A	15P	15P
B	18P	18P
C	22P	18P

C9052  
 18000P  
 or  
 27000P  
 or  
 33000P

POINT\_N02



PL9001  
 LSS0023  
 or  
 LSS0024

TP9005

TP9004

C9053  
 15P(SL)

C9055  
 15P(SL)

T9051  
 ETJ11K95AM  
 or  
 ETJ11K114AM

Q9051  
 2SD1119  
 or  
 2SD2150

R9051  
 2200

Q9052  
 2SD1119  
 or  
 2SD2150

L9051  
 SLF6028T680M

\*C9051  
 10(KB)