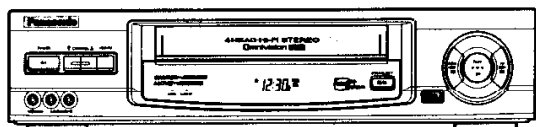


— TENTATIVE —



Omnivision **SVHS**

Panasonic

Video Cassette Recorder Operating Instructions

Model No. **PV-VS4821**

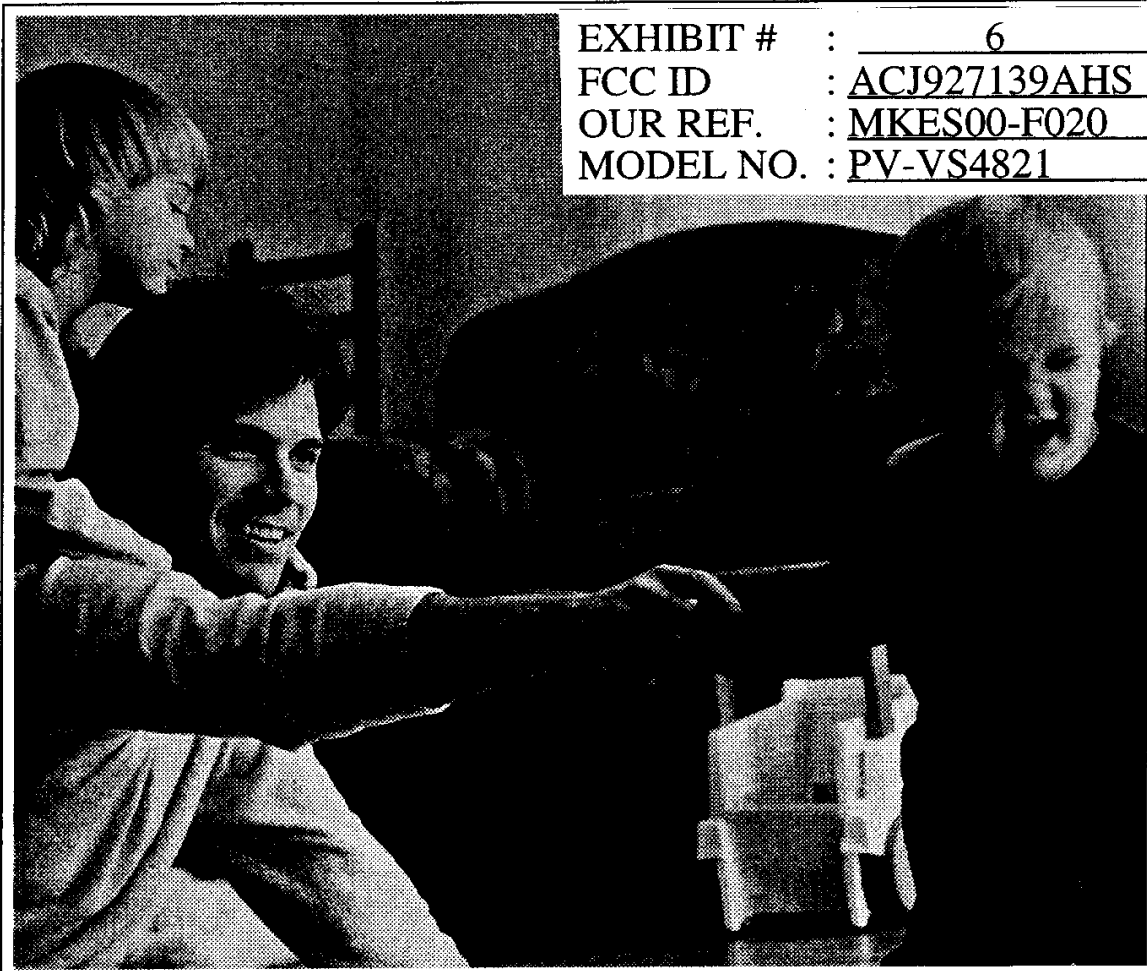


EXHIBIT # : 6
FCC ID : ACJ927139AHS
OUR REF. : MKES00-F020
MODEL NO. : PV-VS4821

Connections and Initial Setup Procedures are on pages 8 to 15.



VCR Plus+, C³, ALLSET and PlusCode are trademarks of Gemstar Development Corporation. The VCR Plus+ system is manufactured under license from Gemstar Development Corporation.



As an ENERGY STAR® Partner, Matsushita Electric Corporation of America has determined that this product or product model meets the ENERGY STAR® guidelines for energy efficiency.

Please read these instructions carefully before attempting to connect, operate or adjust this product. Please save this manual.

Spanish Quick Use Guide is included. (Guía para rápida consulta en español está incluida.)

LSQT0370A

For assistance, please call : 1-800-211-PANA(7262) or send e-mail to : consumerproducts@panasonic.com

Initial Setup
(Connection)

Basic
Operation

Timer
Recording

Advanced
Operation

For Your
Information

Safety Precautions

Warning: To prevent fire or shock hazard, do not expose this equipment to rain or moisture.

CAUTION: To prevent electric shock, match wide blade of plug to wide slot, fully insert.

Avertissement: Afin de prévenir tout risque d'incendie ou de chocs électriques, ne pas exposer cet appareil à la pluie ou à une humidité excessive.

Attention: Pour éviter les chocs électriques, introduire la lame la plus large de la fiche dans la borne correspondante de la prise et pousser jusqu'au fond.



This symbol warns the user that uninsulated voltage within the unit may have sufficient magnitude to cause electric shock. Therefore, it is dangerous to make any kind of contact with any inside part of this unit.



This symbol alerts the user that important literature concerning the operation and maintenance of this unit has been included. Therefore, it should be read carefully in order to avoid any problems.

Note to CABLE system installer:

This reminder is provided to call the CABLE system installer's attention to Article 820-40 of the NEC in USA (and to the Canadian Electrical Code in Canada) that provides guidelines for proper grounding and, in particular, specifies that the cable ground shall be connected to the grounding system of the building, as close to the point of cable entry as practical.

FCC Warning: Any unauthorized changes or modifications to this equipment would void the user's authority to operate.

Before Using

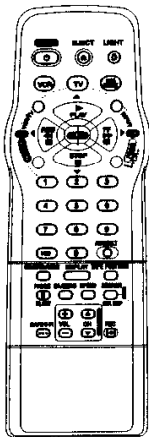
Congratulations

on your purchase of one of the most sophisticated and reliable products on the market today. Used properly, it will bring you years of enjoyment. Please fill in the information below. The serial number is on the tag located on the back of your VCR.

- Date of Purchase _____
- Dealer Purchased From _____
- Dealer Address _____
- Dealer Phone No. _____
- Model No. _____
- Serial No. _____

Accessories

- Remote Control
LSSQ0288



- Batteries 2 "AA"



- RF Coaxial Cable
VJAS0196

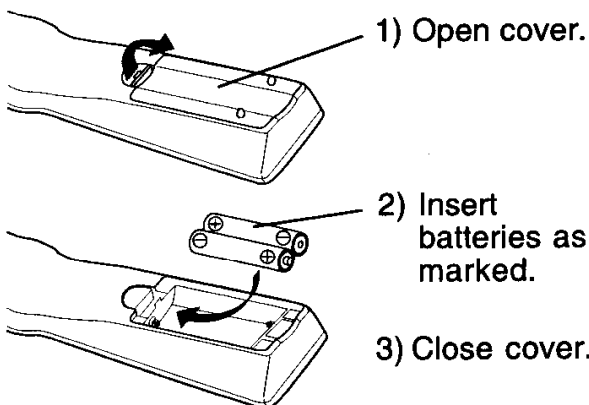


- S-VHS Connecting Cable
VJAS0200



To order accessories, call toll free 1-800-332-5368.

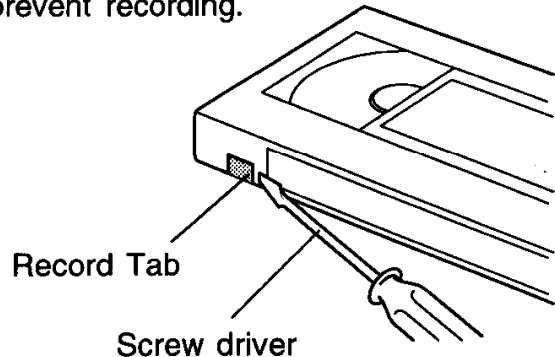
Loading the Batteries



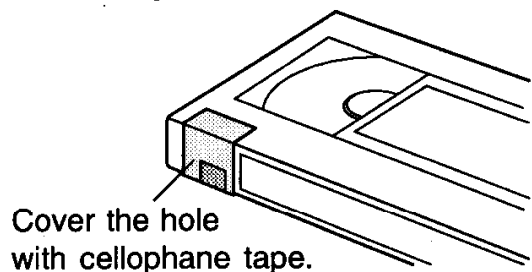
- Battery replacement caution**
- Do not mix old and new batteries.
 - Do not mix alkaline with manganese batteries.

Prevent Accidental Tape Erasure

Break off the tab to prevent recording.



To record again



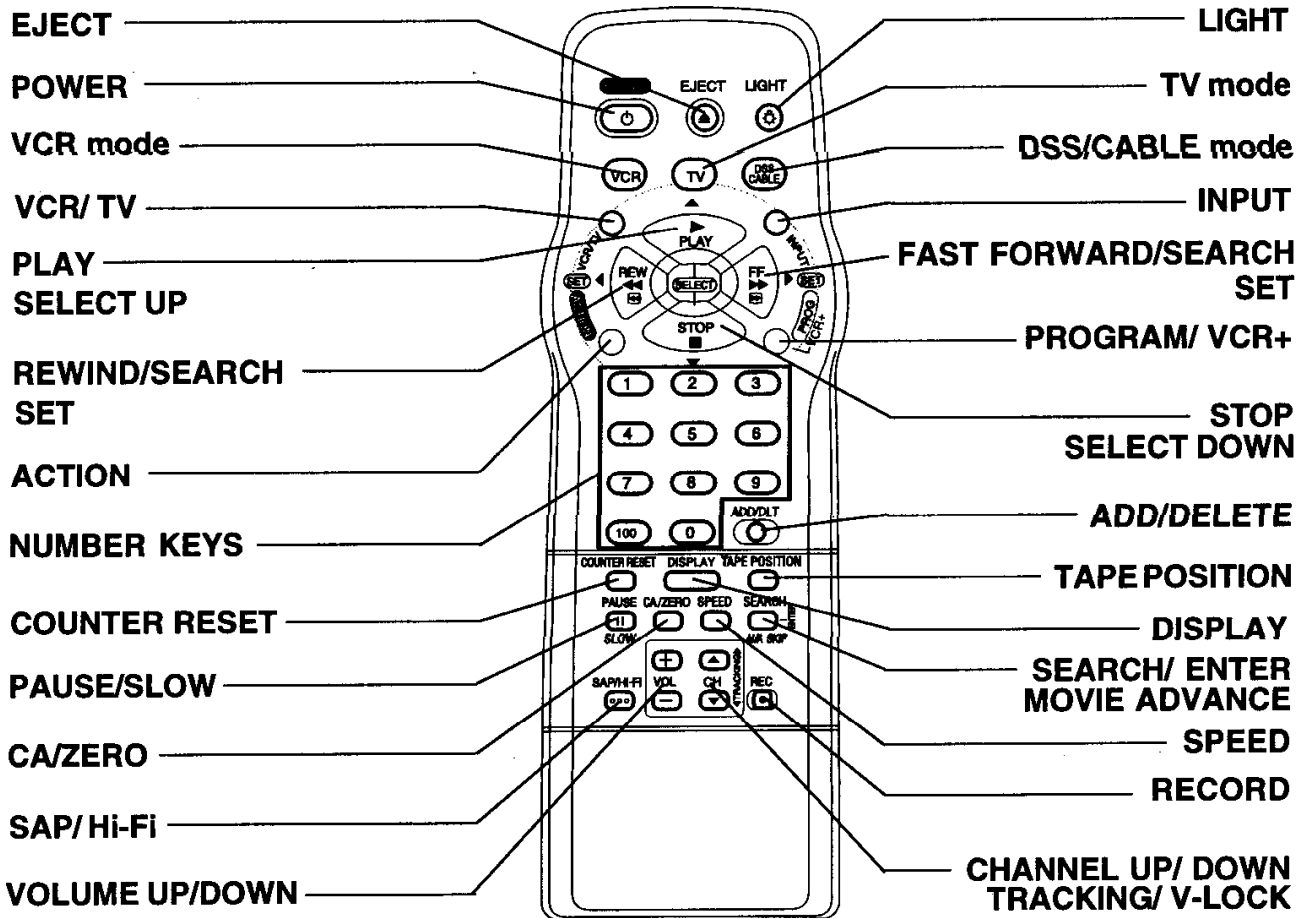
Record/Playback Time

Only use tapes with the **VHS** or **SVHS** mark in this unit.

Tape Speed Setting	Type of Video Cassette		
	T60	T120	T160
SP (Standard Play)	1 Hour	2 Hours	2 Hours 40 Minutes
LP (Long Play)	2 Hours	4 Hours	5 Hours 20 Minutes
SLP (SuperLong Play)	3 Hours	6 Hours	8 Hours

Location of Controls

Remote control Buttons

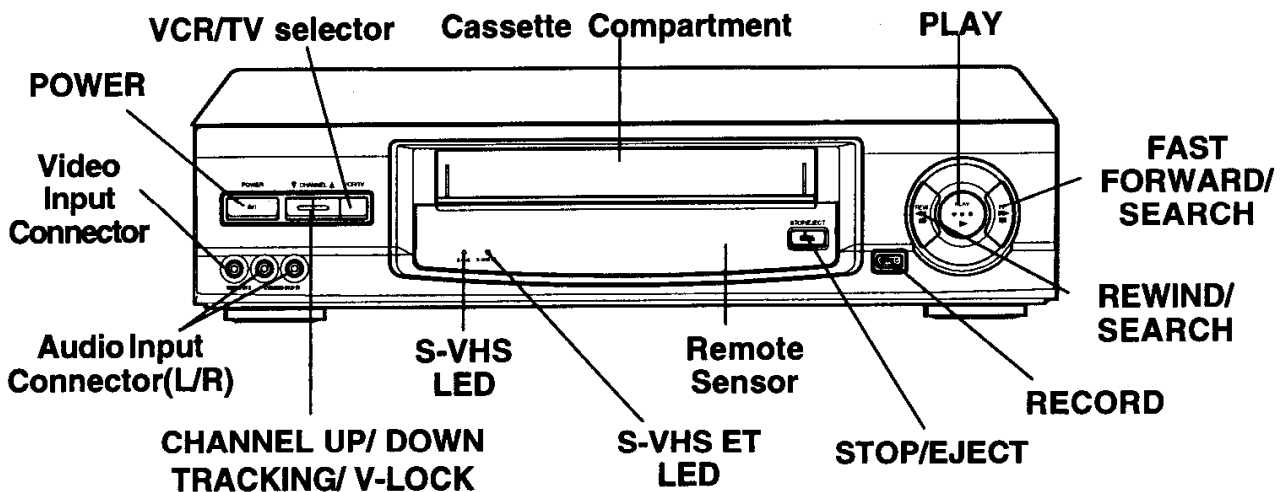


Light Tower Universal Remote Control

Light button: When LIGHT is pressed, available buttons in the selected mode light up and the selected mode button (TV/VCR or DSS CABLE) flashes for 5 seconds. If no button is pressed, light goes out in 5 seconds to conserve batteries. Also, by holding down a button, you can confirm the selected mode (mode button will flash) in the dark.

EJECT button: Press to eject tape from VCR. If EJECT is pressed during record, VCR will not respond.

Front View of the VCR



Multi Function Display

Power Indicator
Lights when power is on.

Timer Indicator
Lights when the VCR is set for a Timer Recording, or when One Touch Recording (OTR) is used. Flashes when a Timer Recording is set, but a tape has not been inserted into the VCR and when a power interruption occurs during Timer Programming.

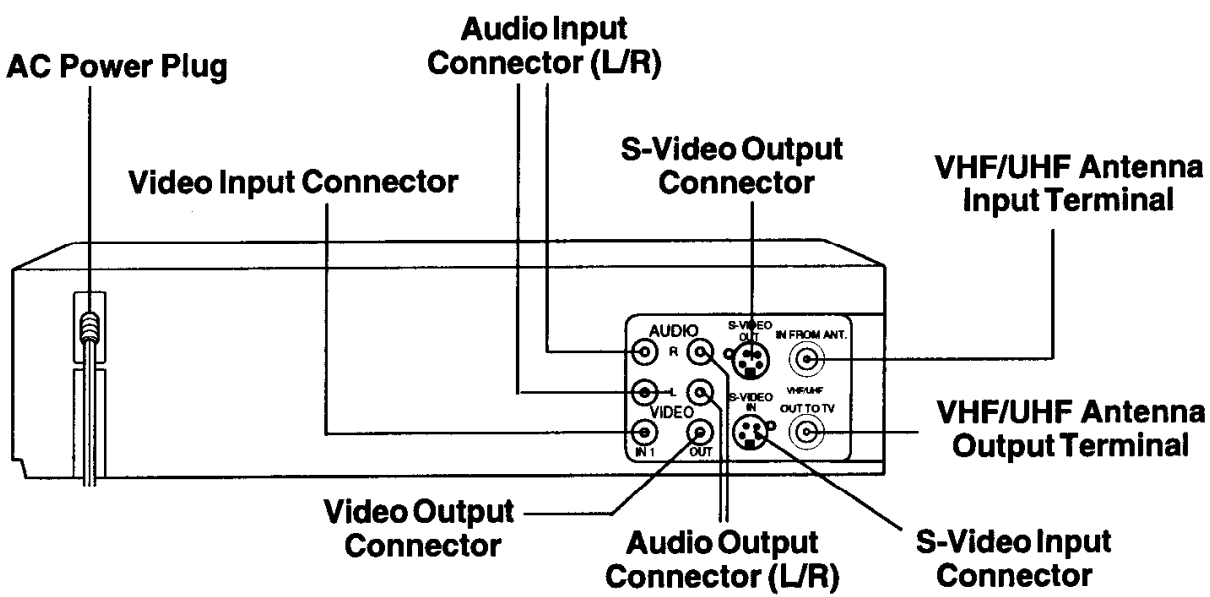


VCR Indicator
Lights when the VCR/TV selector is set to VCR.

Clock/ Status/ Channel/ Speed Display
Displays the current time. Briefly displays VCR status when a function button is pressed. Briefly displays the channel number, or "L1" or "L2" when a channel or line input is selected. Briefly displays the recording speed when SPEED is pressed.

Hi-Fi Indicator
Lights when Hi-Fi audio is monitored in Playback Mode.

Rear View of the VCR



VCR & Cassette Information (continued)

Specifications

Power Source:	120 V AC, 60 Hz
Power Consumption:	<u>Power On</u> Approx. 28 watts <u>Power Off</u> Approx. 3.7 watts
Video Signal:	EIA Standard NTSC color
Video Recording System:	4 rotary heads helical scanning system
Audio Track:	1 track (Normal) 2 channel (Hi-Fi Audio Sound)
Tuner:	
Broadcast Channels:	VHF 2~13, UHF 14~69
CABLE Channels:	Midband A through I (14~22) Superband J through W (23~36) Hyperband AA~EEE (37~64) Lowband A-5~A-1 (95~99) Special CABLE channel 5A (01) Ultraband 65~94, 100~125
Operating Temperature:	5°C~40°C (41°F~104°F)
Operating Humidity:	10%~75%
Weight:	2.7 kg (6.0 lbs).
Dimensions:	430 (W) x 98 (H) x 242 (D) mm 16-15/16" (W) x 3-7/8" (H) x 9-9/16" (D)

Note: Designs and specifications are subject to change without notice.

Features for a Quality Picture

Digital Auto Picture

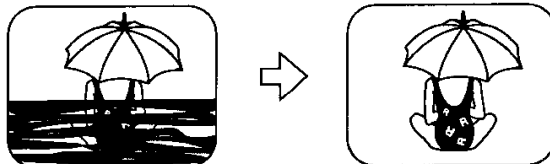
Automatically controls the video output signal for less noise depending on the tape condition.

Digital Auto Tracking

Continuously analyzes the signal and adjusts for optimum picture quality.

Manual Tracking Control (to reduce picture noise)

Use during Playback and Slow Motion mode to reduce picture noise. Press CH (TRACKING) ▲ / ▼ buttons on the remote control or on the VCR until the picture clears up. To return to Auto Tracking, press POWER off, then on again a few seconds later.



V-Lock Control (to reduce picture jitter)

In Still mode, CH (TRACKING) ▲ / ▼ buttons operate as a V-Lock control.

CNR (Color Noise Reduction) / ANR (Advanced Noise Reduction)

Color Noise Reduction reduces the color noise. Advanced Noise Reduction reduces the luminance noise.