

EXHIBIT # : \_\_\_\_\_  
FCC ID : ACI927139AHS  
OUR REF. : MKES00-F020  
MODEL NO. : PV-VS4821  
Sheet 1 of 8 Sheets



Main PCB (Top view)

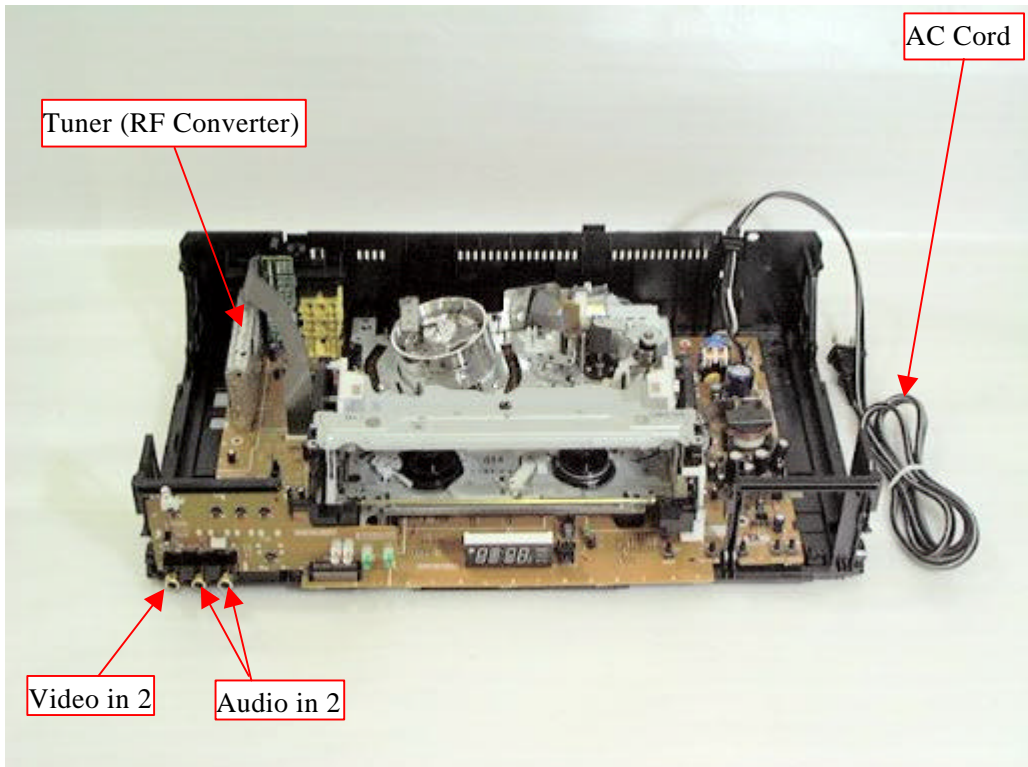
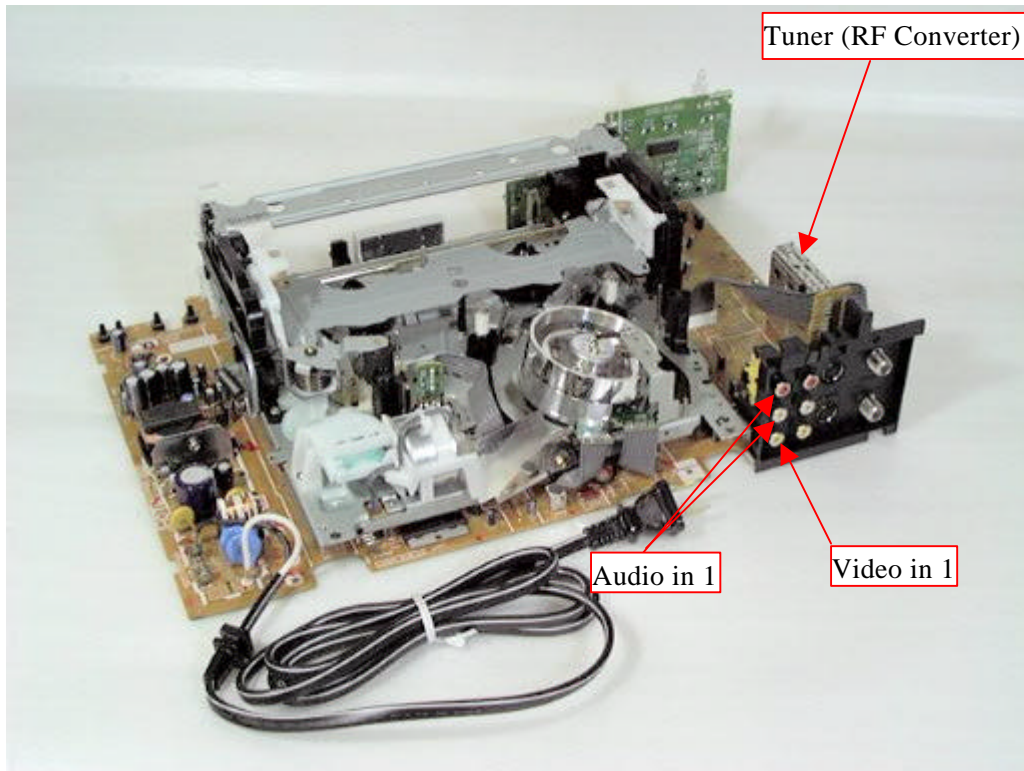


EXHIBIT # : \_\_\_\_\_  
FCC ID : ACI927139AHS  
OUR REF. : MKES00-F020  
MODEL NO. : PV-VS4821  
Sheet 2 of 8 Sheets

Main PCB (Top view)



Main PCB (Bottom view)

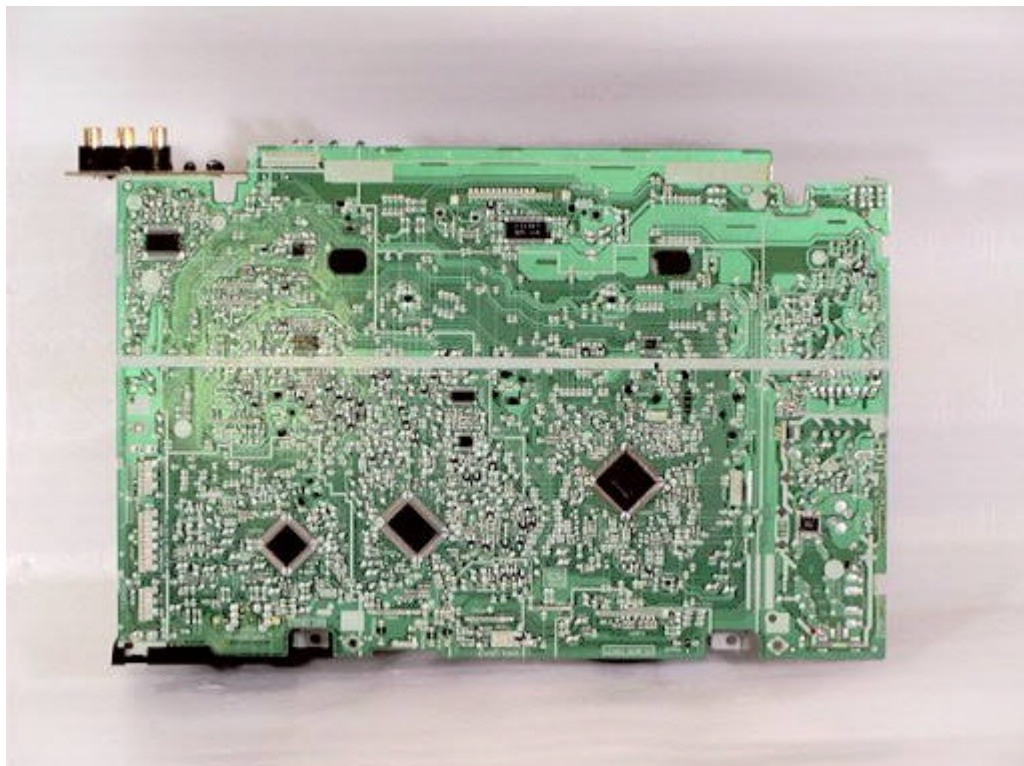
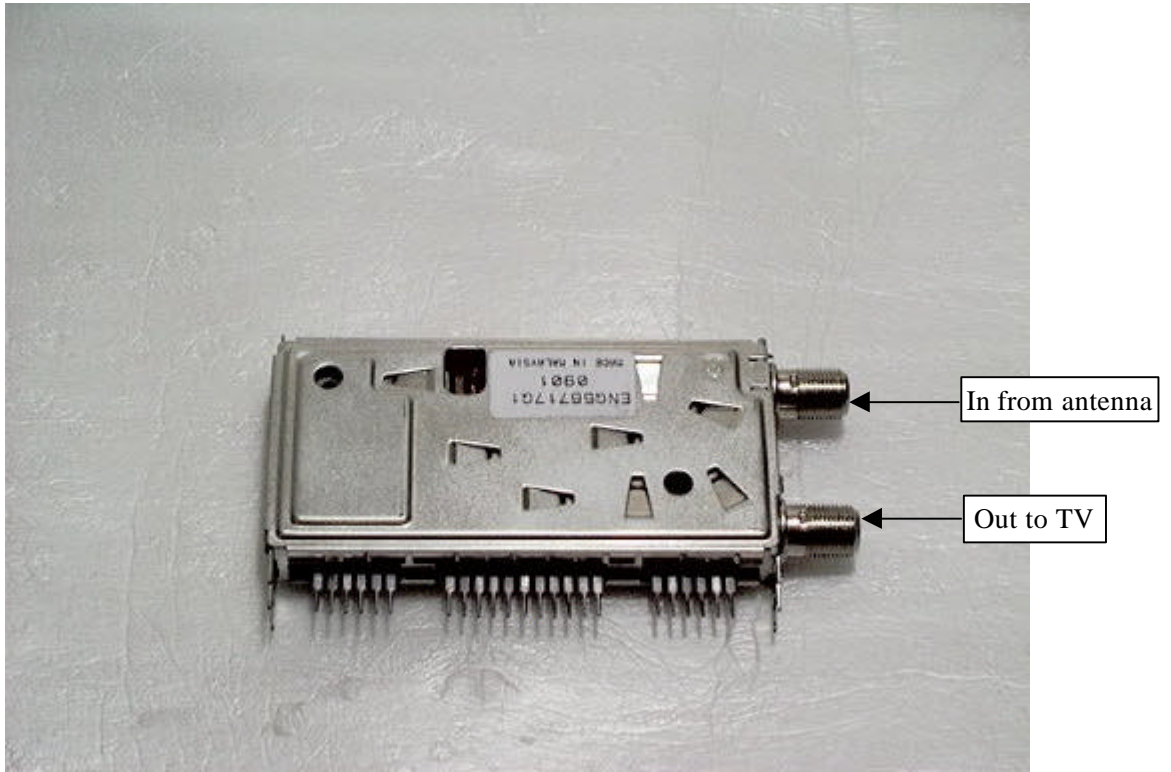
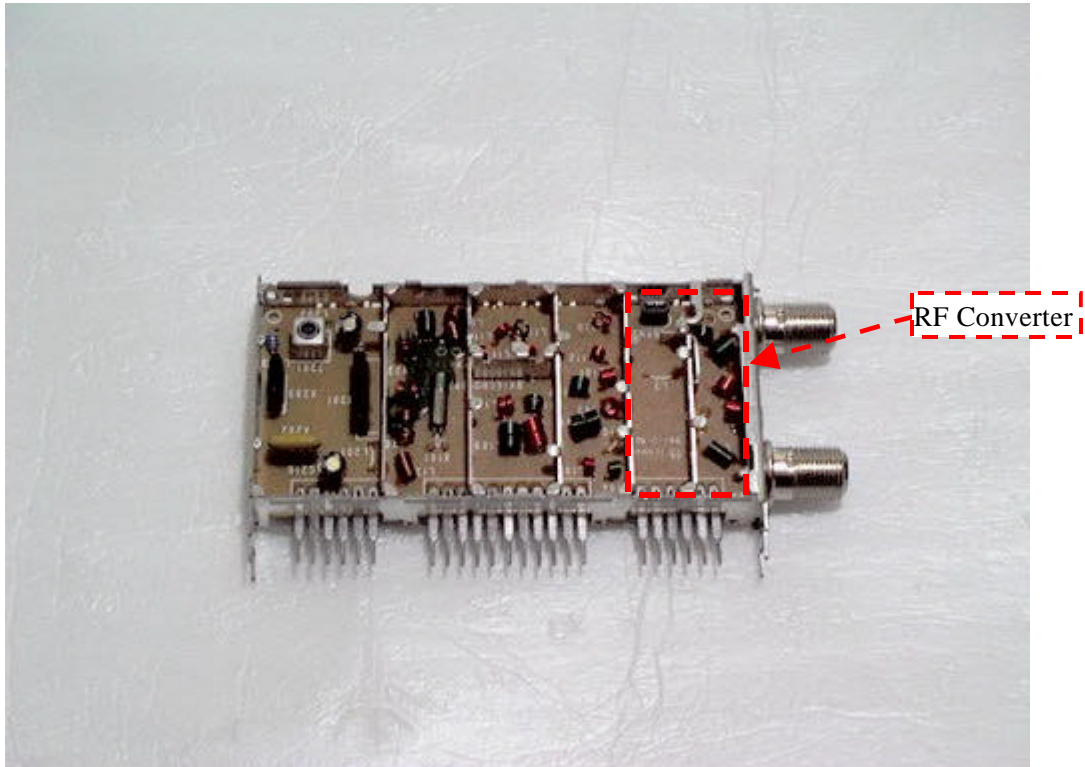


EXHIBIT # : \_\_\_\_\_  
FCC ID : ACI927139AHS  
OUR REF. : MKES00-F020  
MODEL NO. : PV-VS4821  
Sheet 3 of 8 Sheets

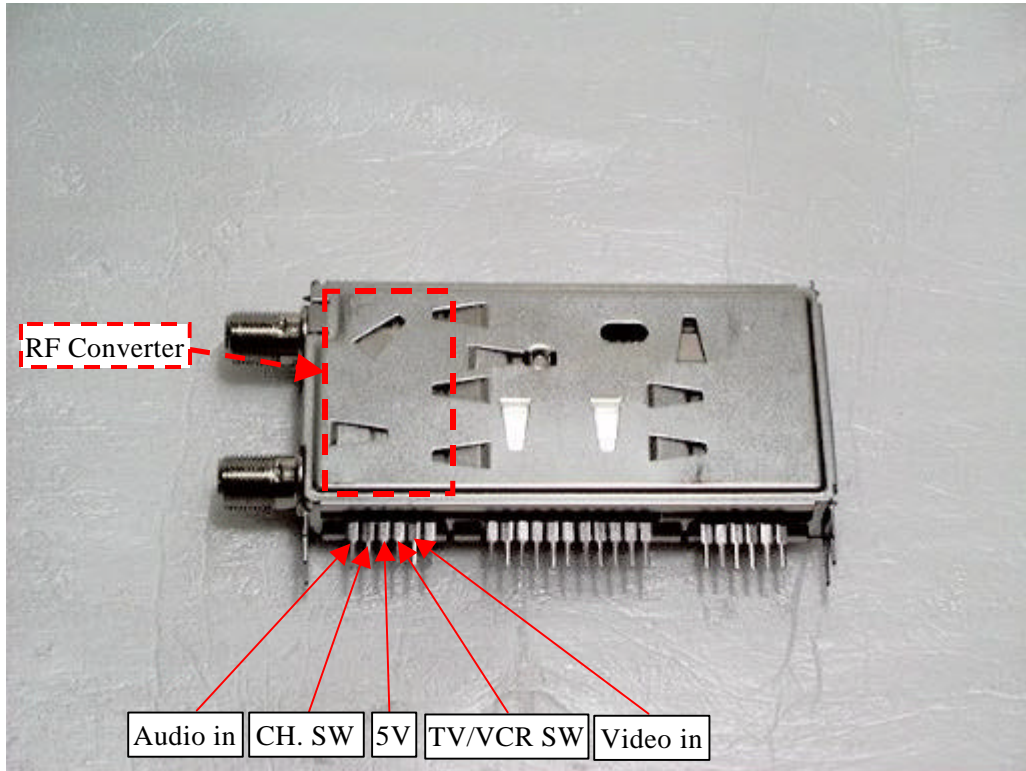
Tuner (ENG56717G1: Top view)



Tuner (ENG56717G1: Top view)



Tuner (ENG56717G1: Bottom View)



Tuner (ENG56717G1: Bottom View)

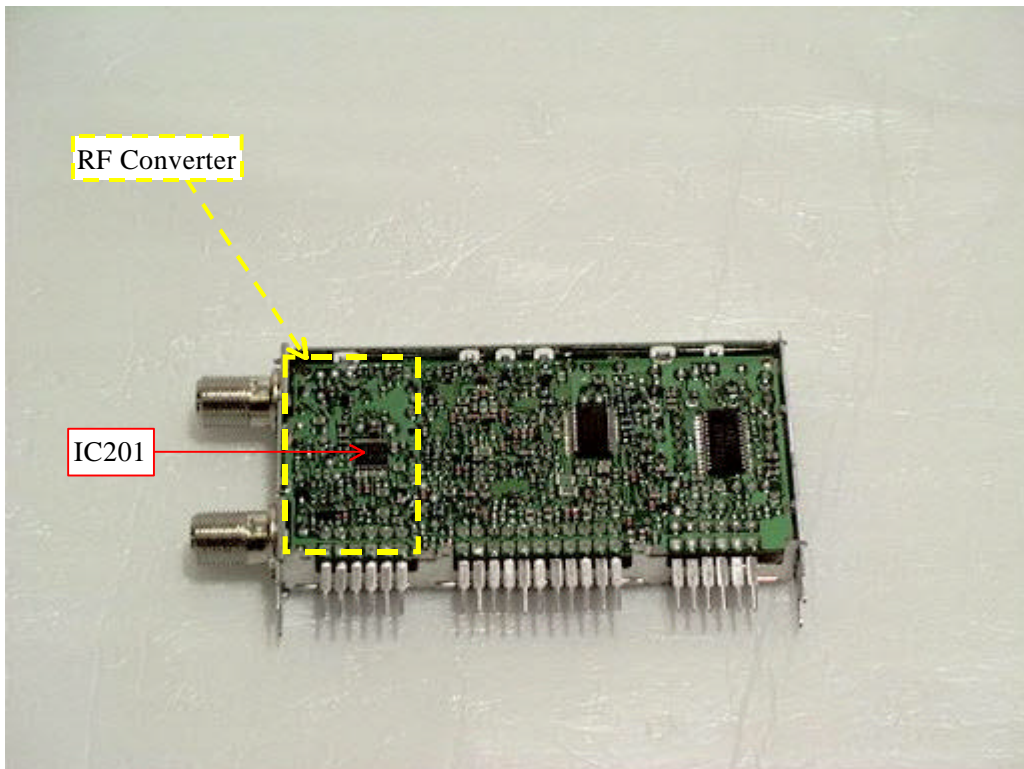
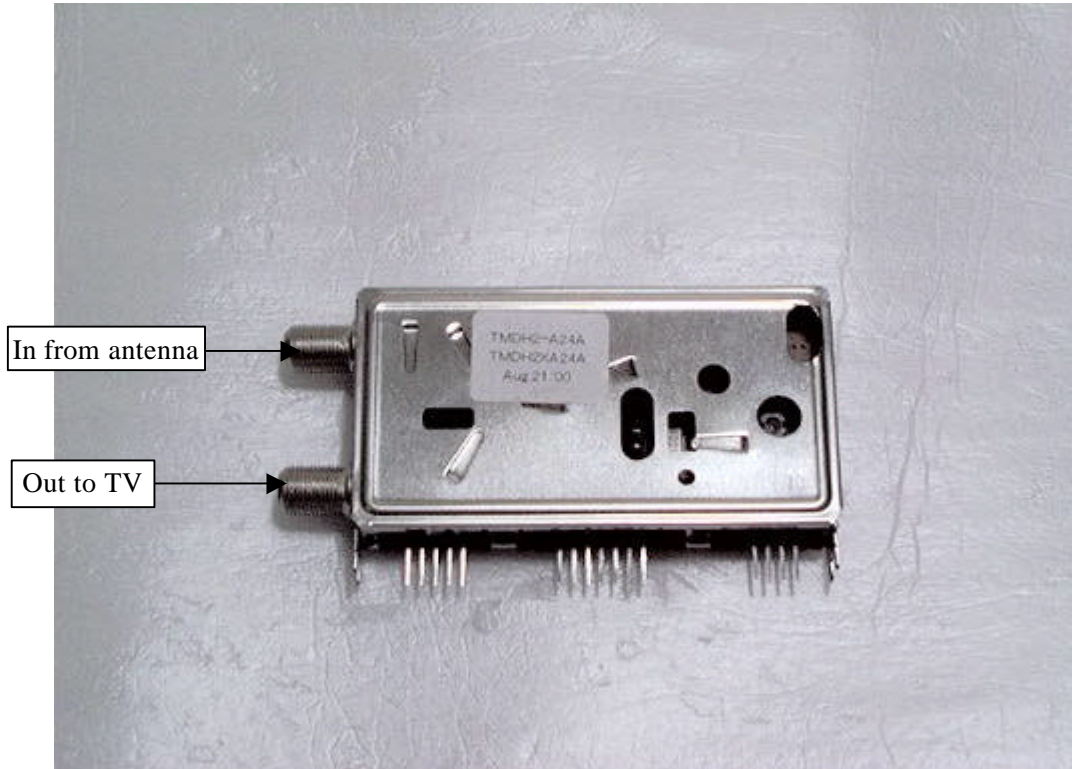


EXHIBIT # : \_\_\_\_\_  
FCC ID : ACI927139AHS  
OUR REF. : MKES00-F020  
MODEL NO. : PV-VS4821  
Sheet 5 of 8 Sheets

Tuner (TMDH2-A24A: Top view)



Tuner (TMDH2-A24A: Top view)

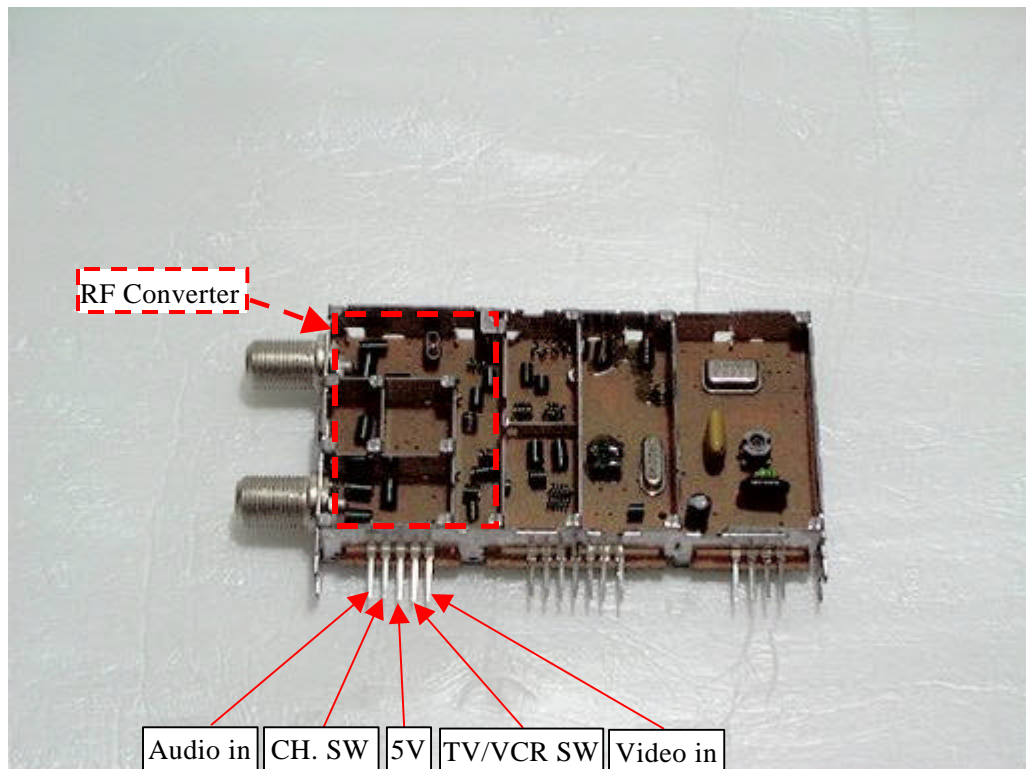
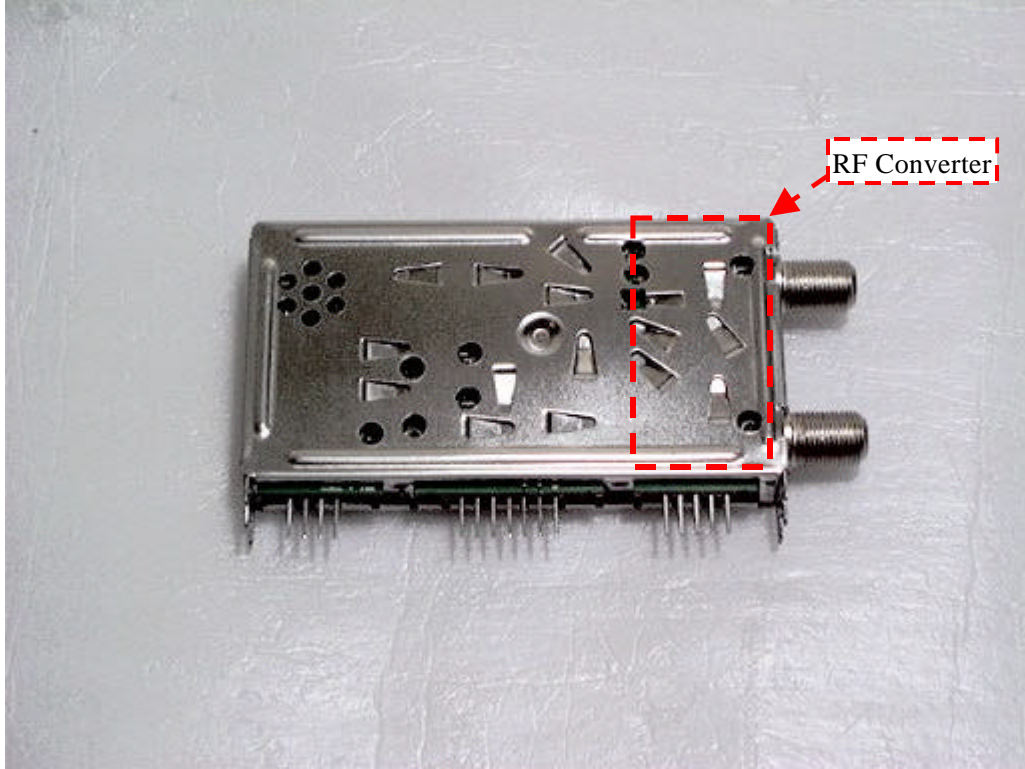


EXHIBIT # : \_\_\_\_\_  
FCC ID : ACI927139AHS  
OUR REF. : MKES00-F020  
MODEL NO. : PV-VS4821

Sheet 6 of 8 Sheets

Tuner (TMDH2-A24A: Bottom View)



Tuner (TMDH2-A24A: Bottom View)

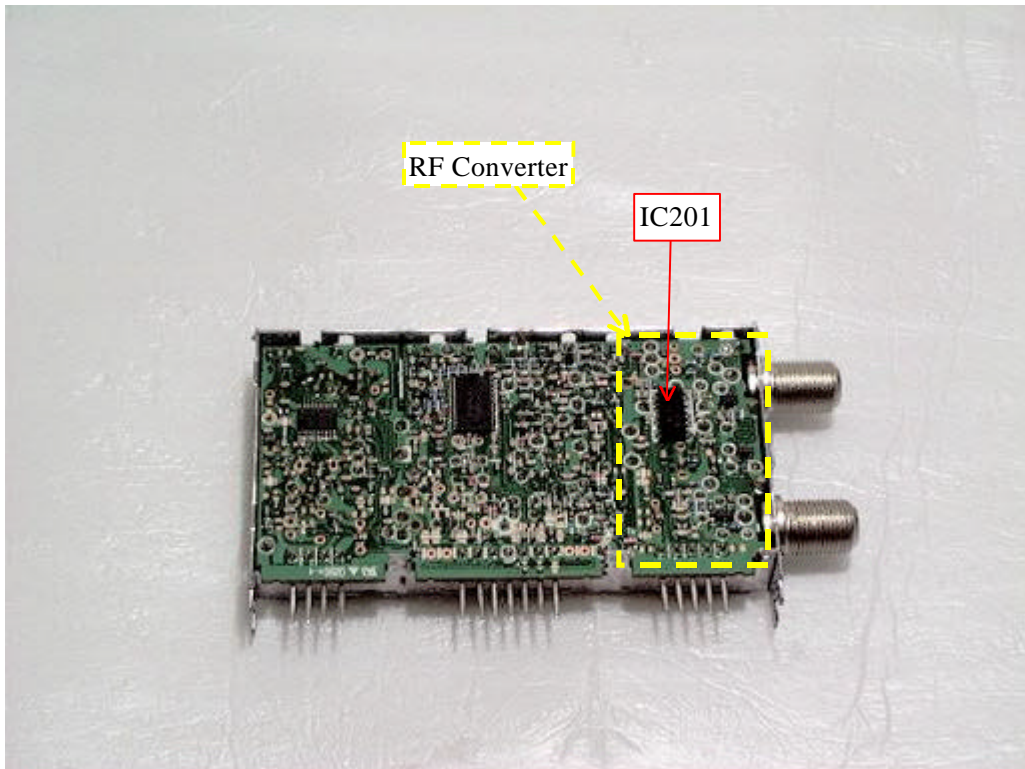
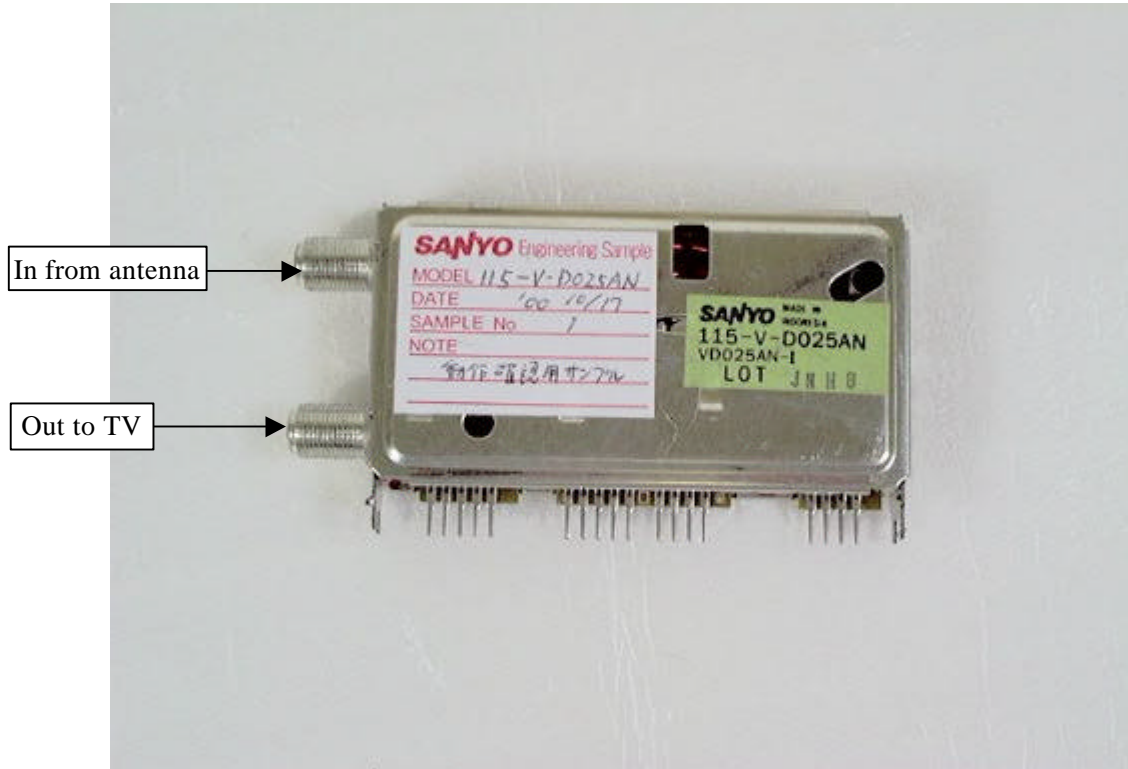


EXHIBIT # : \_\_\_\_\_  
FCC ID : ACI927139AHS  
OUR REF. : MKES00-F020  
MODEL NO. : PV-VS4821  
Sheet 7 of 8 Sheets

Tuner (115-V-D025AN: Top view)



Tuner (115-V-D025AN: Top view)

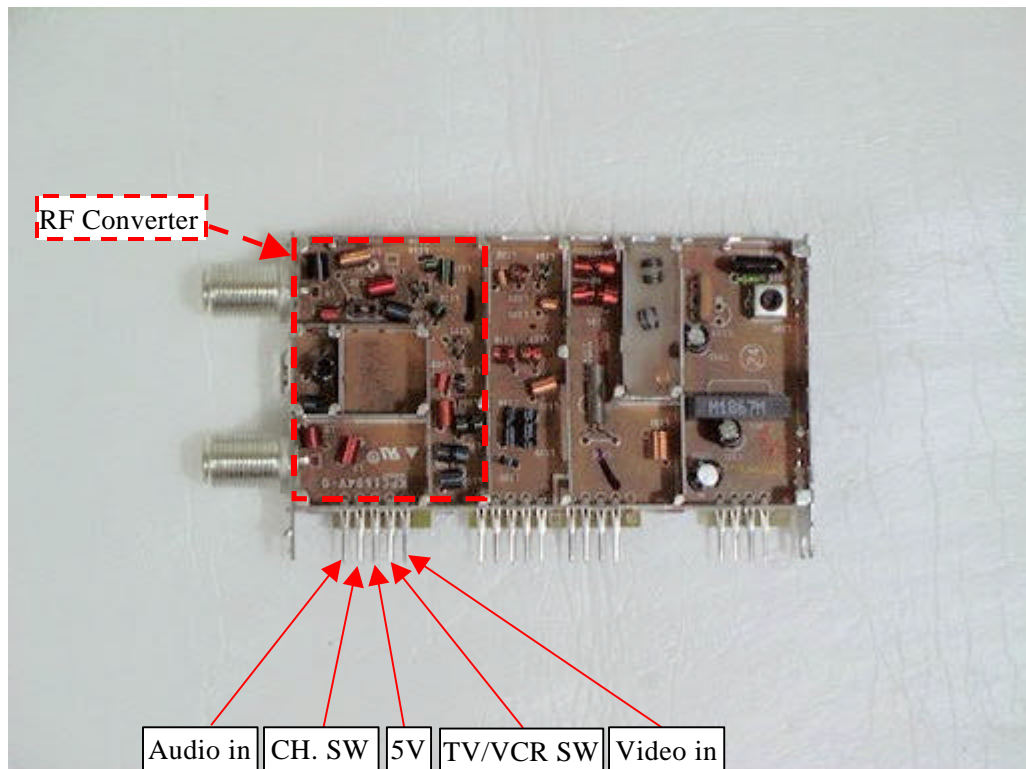
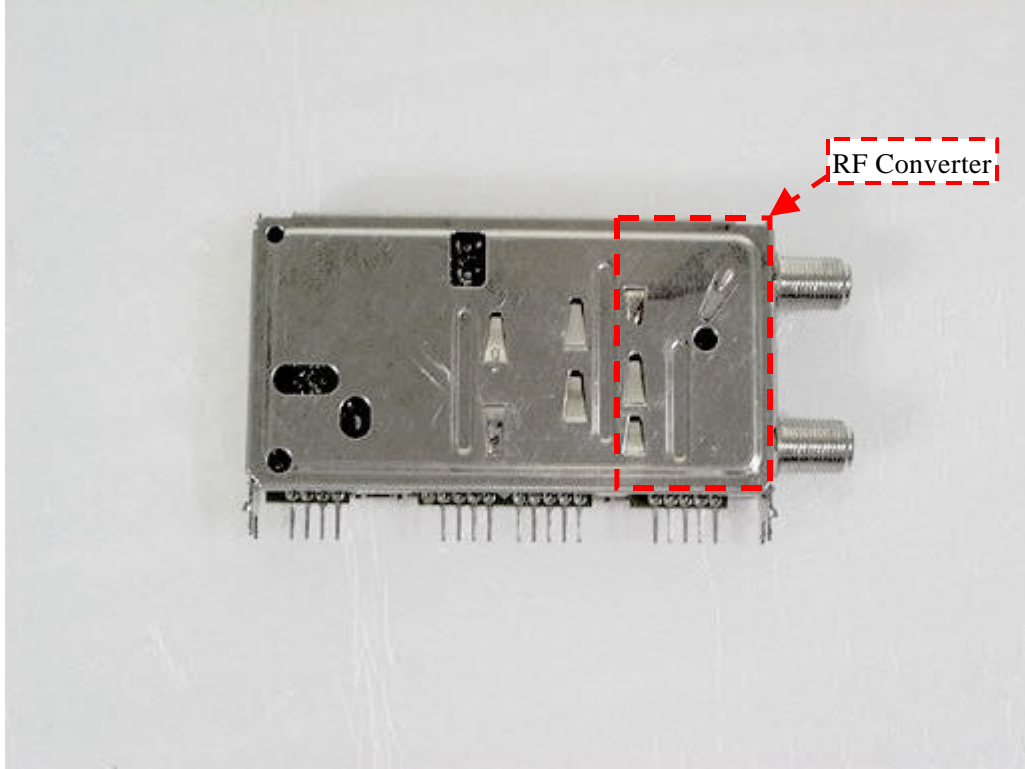


EXHIBIT # : \_\_\_\_\_  
FCC ID : ACI927139AHS  
OUR REF. : MKES00-F020  
MODEL NO. : PV-VS4821  
Sheet 8 of 8 Sheets

Tuner (115-V-D025AN: Bottom View)



Tuner (115-V-D025AN: Bottom View)

