

Sample of FCC Identifier

EXHIBIT # : 1
FCC ID : ACJ927125L
OUR REF. : MKES99-F016
MODEL NO. : PV-L550D

Scale: 2/1

FCC ID: ACJ927125L

EXHIBIT # 2
FIG NO. _____
FCC ID: ACJ927125L
MODEL NO. PV-L550-D
OUR REF.: MKES99-F016



FCC IDENTIFIER

Schematic Diagram Index

EXHIBIT # : 5
FCC ID : ACJ927125L
OUR REF. : MKES99-F016

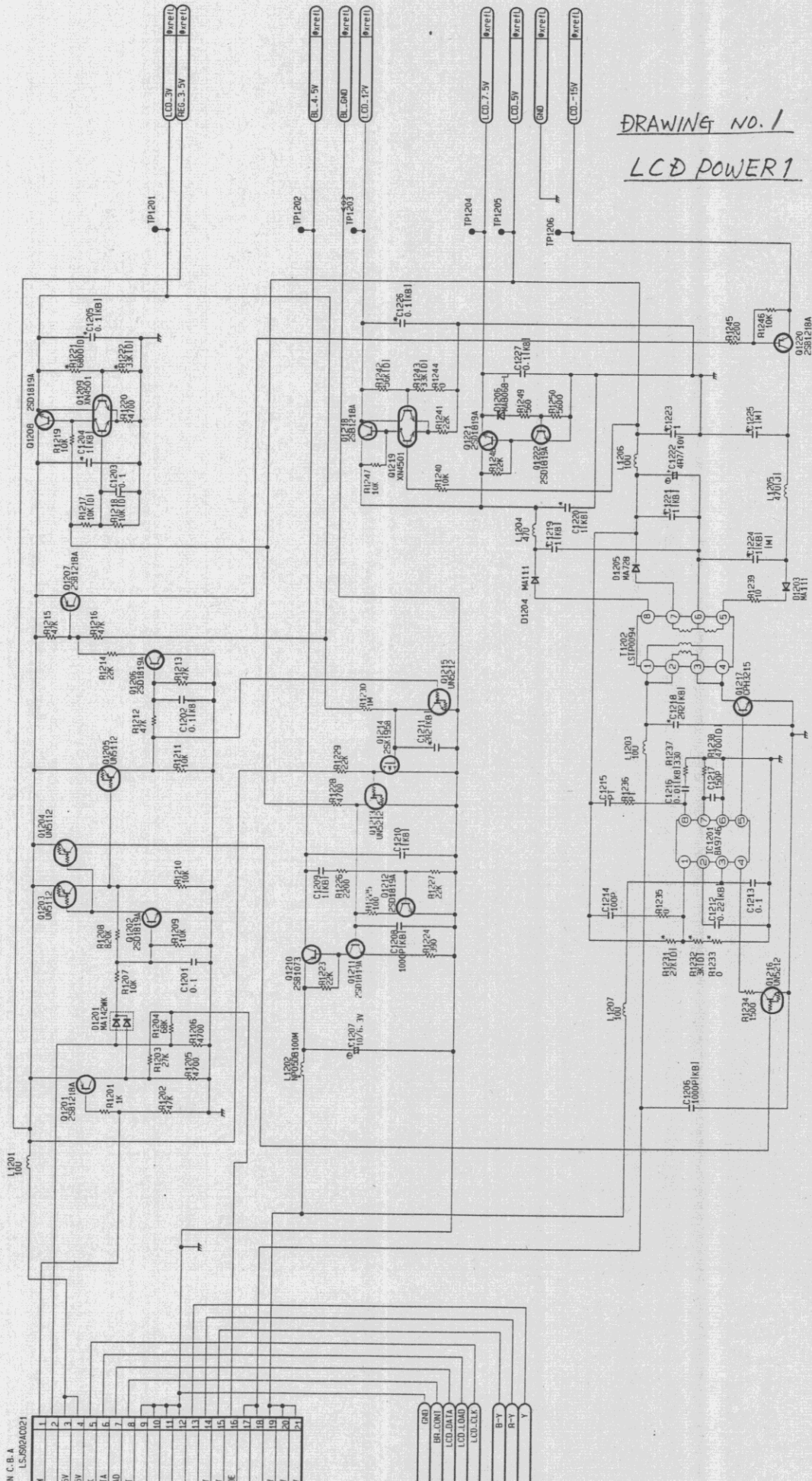
MODEL NO. : PV-L550D

Circuit Name

Drawing No.

| | |
|-----------------|---|
| LCD POWER 1 | 1 |
| LCD POWER 2 | 2 |
| INTERCONNECTION | 3 |
| BATTERY CATCHER | 4 |
| POWER | 5 |

KC-2000 LCD POWER (1st ES)



DRAWING NO. 1
LCD POWER 1

UN C.B.A
LS.592A021

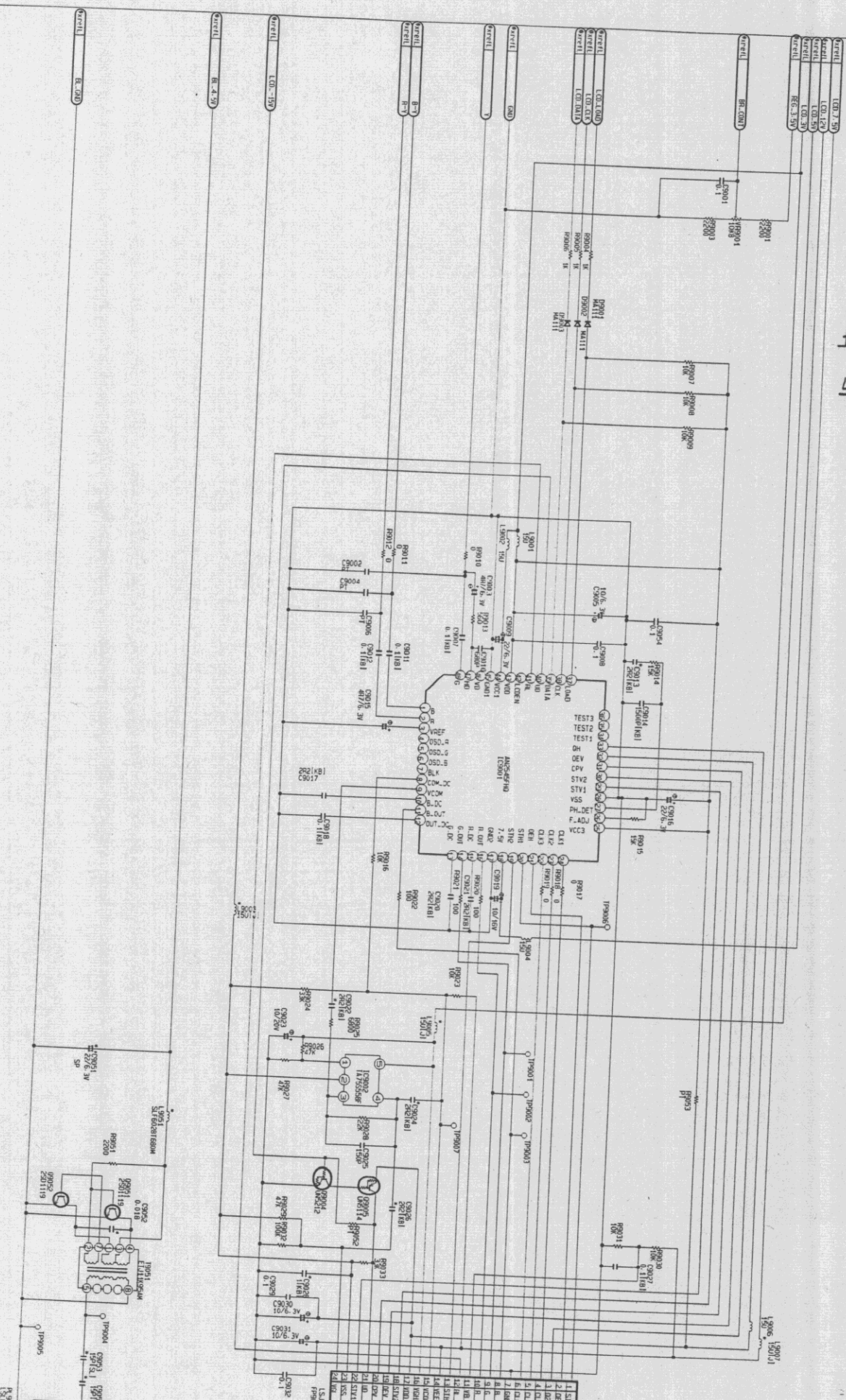
| | |
|----|-----|
| 1 | SW |
| 2 | 5V |
| 3 | 5V |
| 4 | 5V |
| 5 | 5V |
| 6 | A1A |
| 7 | DND |
| 8 | NT |
| 9 | |
| 10 | |
| 11 | |
| 12 | |
| 13 | Y |
| 14 | Y |
| 15 | Y |
| 16 | Y |
| 17 | Y |
| 18 | 5V |
| 19 | 5V |
| 20 | 5V |
| 21 | 5V |

| |
|----------|
| GND |
| BR.COM1 |
| LCD-0A7A |
| LCD-LOAD |
| LCD-CLK |
| B-Y |
| R-Y |
| Y |

| | |
|-------------------|-------------|
| Drawing No. | LCD POWER |
| Item | LSEPB030** |
| Part No. | KC-2000 LCD |
| Applicable Models | |
| Date of Issue | 99.7.16 |
| Drawn by | H.TADA |

| | |
|---------------|--------------|
| Drawing No. | |
| Item | 3.0 LCD |
| Part No. | LSFB030** |
| Model | KC-2000 LCD |
| Date of Issue | 98.5.29 |
| By | Y. (0410551) |

DRAWING NO. 2
LCD POWER 2



REV. 1
E. 080

REV. 2
E. 4.30

REV. 3
E. 1.30

REV. 4
E. 1.30

REV. 5
E. 1.30

REV. 6
E. 1.30

REV. 7
E. 1.30

REV. 8
E. 1.30

REV. 9
E. 1.30

REV. 10
E. 1.30

REV. 11
E. 1.30

REV. 12
E. 1.30

REV. 13
E. 1.30

REV. 14
E. 1.30

REV. 15
E. 1.30

REV. 16
E. 1.30

REV. 17
E. 1.30

REV. 18
E. 1.30

REV. 19
E. 1.30

REV. 20
E. 1.30

REV. 21
E. 1.30

REV. 22
E. 1.30

REV. 23
E. 1.30

REV. 24
E. 1.30

REV. 25
E. 1.30

REV. 26
E. 1.30

REV. 27
E. 1.30

REV. 28
E. 1.30

REV. 29
E. 1.30

REV. 30
E. 1.30

REV. 31
E. 1.30

REV. 32
E. 1.30

REV. 33
E. 1.30

REV. 34
E. 1.30

REV. 35
E. 1.30

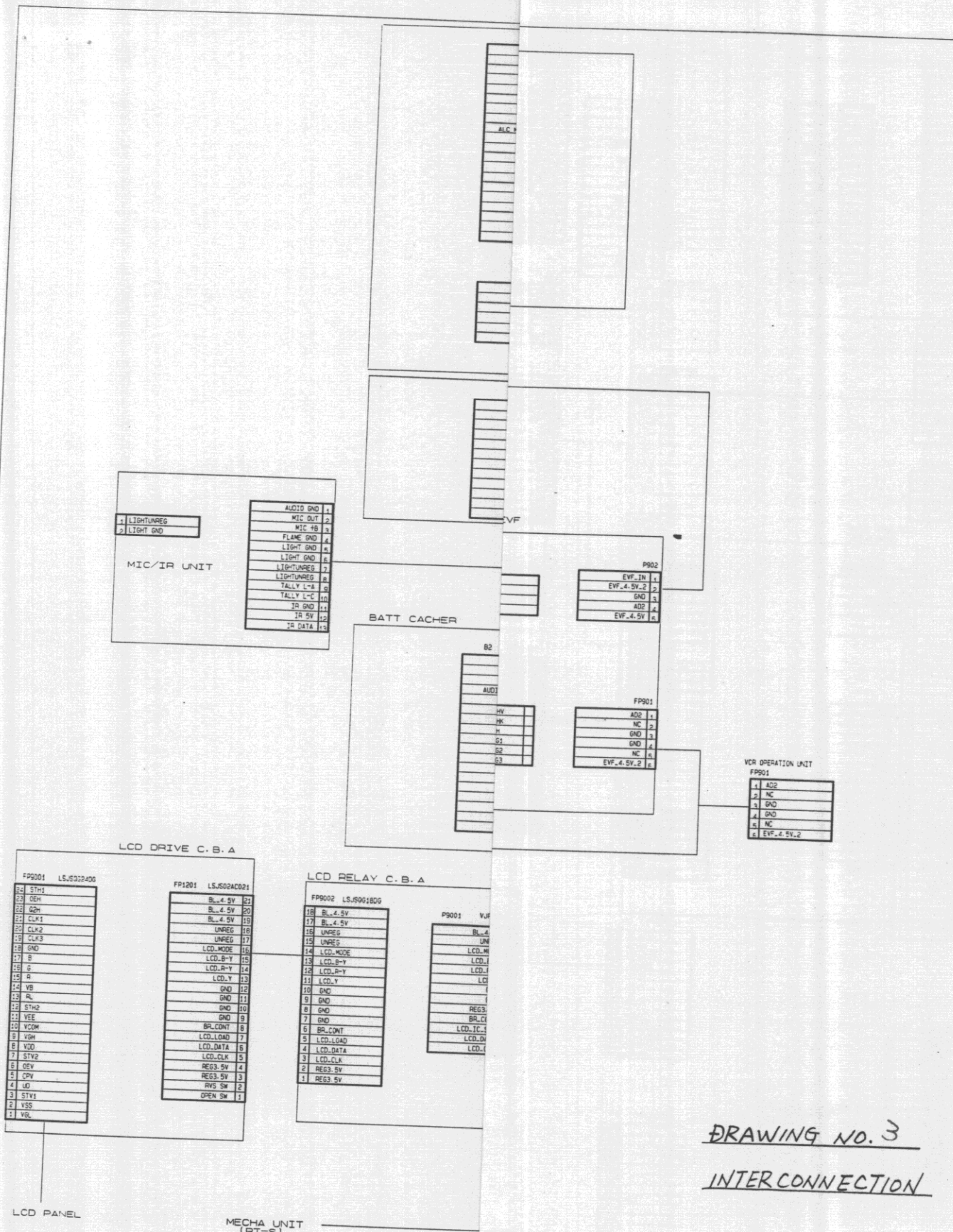
REV. 36
E. 1.30

REV. 37
E. 1.30

REV. 38
E. 1.30

REV. 39
E. 1.30

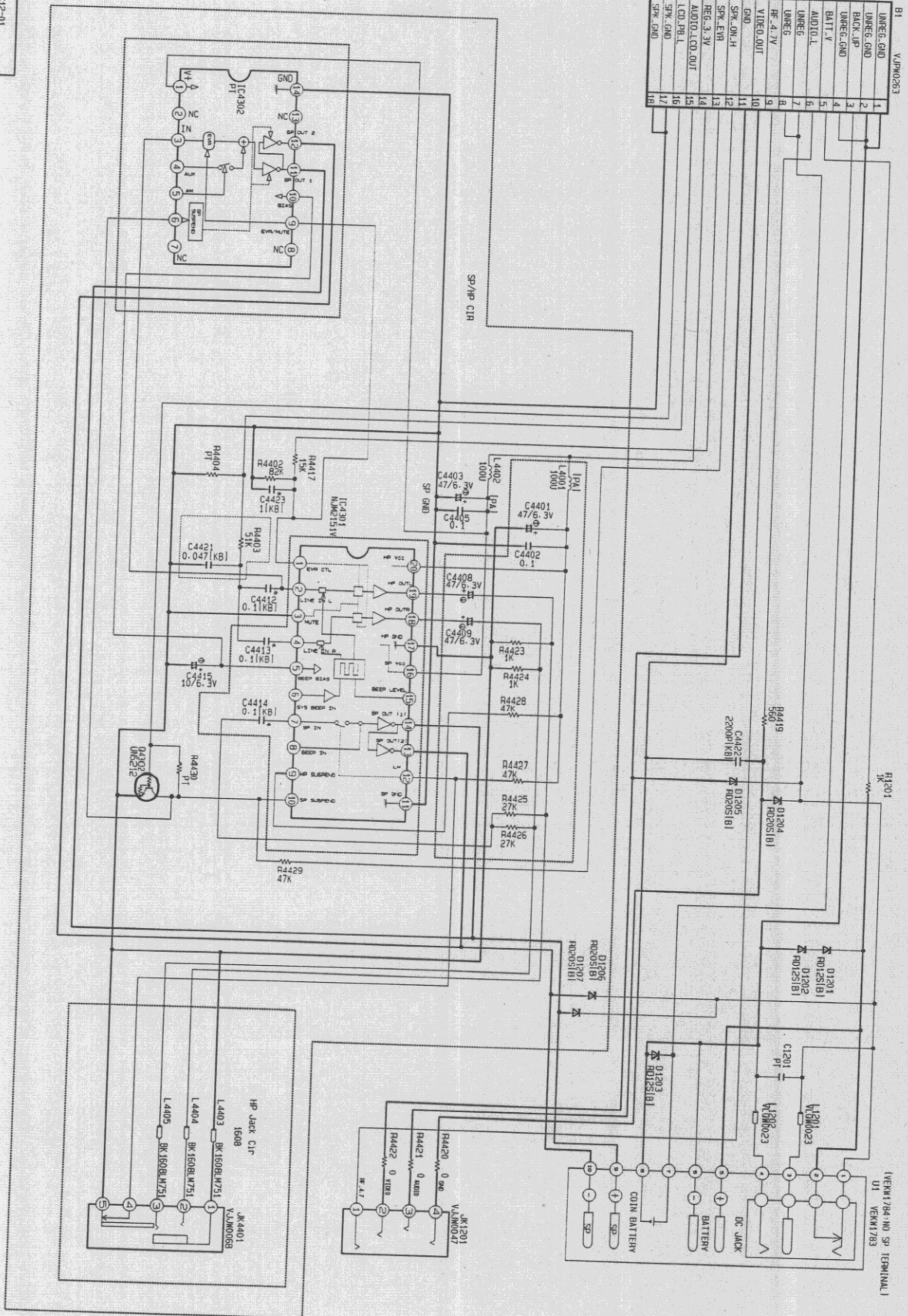
REV. 40
E. 1.30



DRAWING NO. 3
INTERCONNECTION

| | |
|-------------------|-----------------|
| Drawing No. | EW027C07-01 |
| Item | INTERCONNECTION |
| Part No. | LSEP8024** |
| Applicable Models | KC-2000 |

| | |
|-------------------|-------------------|
| Drawing No. | EM07C12-01 |
| Item | BATTERY CATCHER |
| Part No. | ISEF9028 A1,B1,C1 |
| Applicable Models | KC-2000 |
| Date of Issue | 1995 |



| | |
|----|------------------|
| B1 | V1P0353 |
| 1 | LINEG. GND |
| 2 | LINEG. GND |
| 3 | BACK JPK |
| 4 | LINEG. GND |
| 5 | BATT. V |
| 6 | AUDIO L |
| 7 | LINEG. |
| 8 | LINEG. |
| 9 | RF 4.1V |
| 10 | VLINEG. OUT |
| 11 | GND |
| 12 | SPK. OUT. H |
| 13 | SPK. EVR |
| 14 | REG. 3.3V |
| 15 | AUDIO L COI. OUT |
| 16 | LOD. PBL |
| 17 | SPK. GND |
| 18 | SPK. GND |

DRAWING NO. 4

EXHIBIT # _____
FIG NO. _____
FCC ID: AcJ927125L
MODEL NO. PV-L550D
OUR REF.: MKES99-F016



EXHIBIT # _____
FIG NO. _____
FCC ID: AcJ927125L
MODEL NO. PV-L5500
OUR REF.: MKS99-F016

COLOR LCD ELECTRONIC VIEW FINDER
(PART OF VIDEO CAMERA)



Description of Application Models

FCC ID : ACJ927125L
OUR REF. : MKES99-F016
MODEL NO. : PV-L550D

Application models are as below.

FCC ID : ACJ927125L
Trade Name : Panasonic
Model No. of
Video Camera : PV-L550D
Name of Device : Color LCD Electronic View Finder, part of Video Camera
Grantee Name : Matsushita Electric Industrial Co., Ltd.
Manufacturer : Matsushita-Kotobuki Electronics Ind. Ltd.
Cabinet Material : Plastics