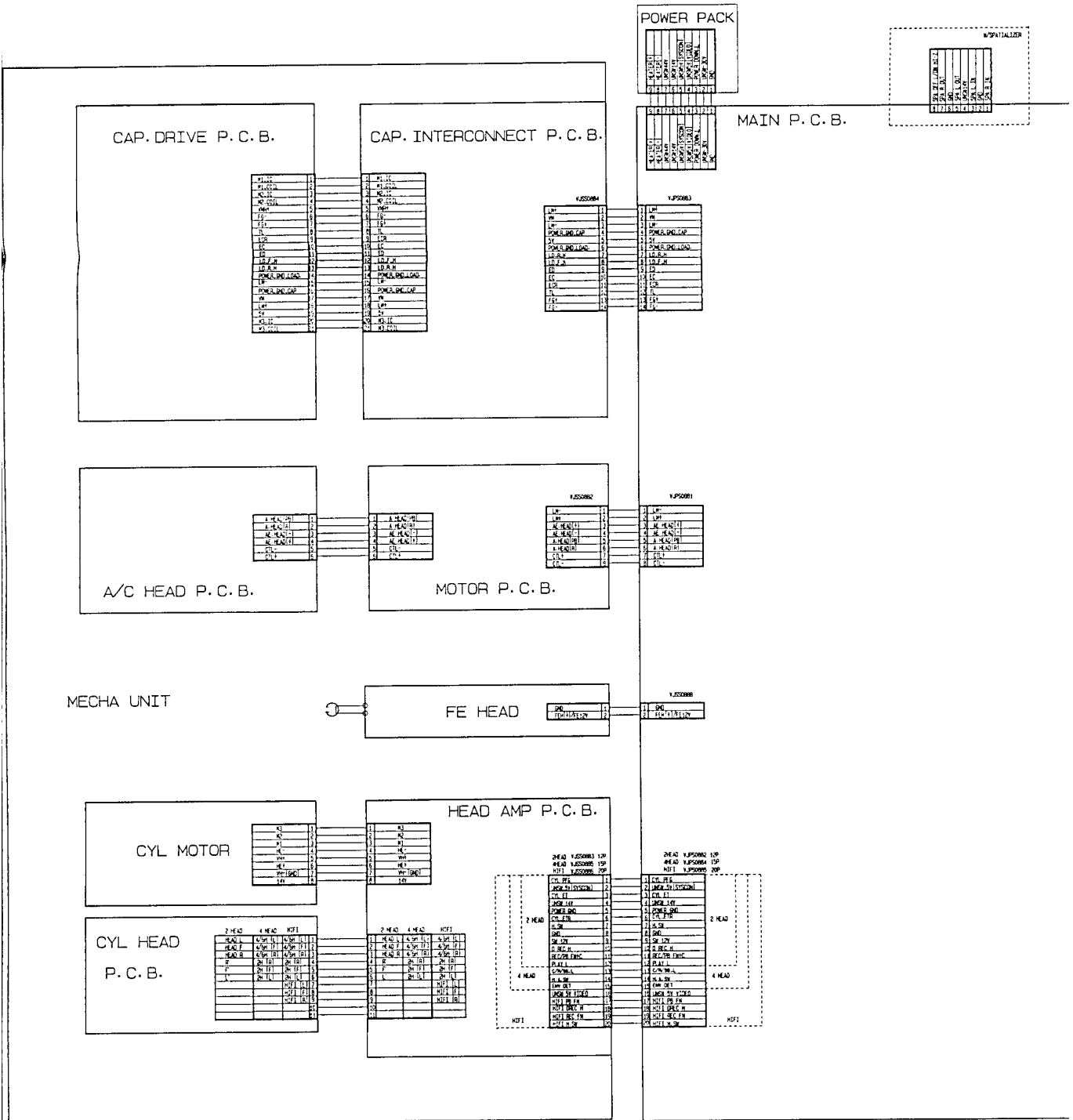


Schematic Diagram Index

EXHIBIT # : 5  
FCC ID : ACJ927120AHP  
OUR REF. : MKS98-F008  
MODEL NO. : NV-HD8070PX

<u>Circuit Name</u>	<u>Drawing No.</u>
INTER CONNECTION	1
POWER	2
MAIN 1	3
MAIN 2	4
MAIN 3	5
MAIN 4	6
RF DEMODULATOR Type No.: VEQS0603 (RF CONVERTER)	7
HI-FI 4 HEAD AMP.	8
OPERATION	9
CAP. TERMINAL	10
CAP. STATOR	11
SPA PACK	12

# KG-18 SERIES INTER CONNECTION





HOSPITALIZER	
NO.	
DATE	
BY	
FOR	

1	DRG
2	OFFICE
3	STATION
4	THE A.I.R.
5	SM-120
6	SM-120
7	W.C. 111-1
8	W.C. 111-1
9	THE A.I.R.
10	DRG
11	THE A.I.R.
12	STATION

1	RAJ. 11-1
2	STATION
3	DRG
4	THE A.I.R.
5	SM-120
6	SM-120
7	W.C. 111-1
8	W.C. 111-1
9	THE A.I.R.
10	DRG
11	THE A.I.R.
12	STATION

98PANA.WA

OPERATION P. C. B

1	RAJ. 11-1	1	RAJ. 11-1
2	STATION	2	STATION
3	DRG	3	DRG
4	THE A.I.R.	4	THE A.I.R.
5	SM-120	5	SM-120
6	SM-120	6	SM-120
7	W.C. 111-1	7	W.C. 111-1
8	W.C. 111-1	8	W.C. 111-1
9	THE A.I.R.	9	THE A.I.R.
10	DRG	10	DRG
11	THE A.I.R.	11	THE A.I.R.
12	STATION	12	STATION

NO.	DATE	BY

DRAWING NO. 1  
INTER CONNECTION

Item	INTER CONNECTION
Part No.	KG-108er1es
Applicable	
Model	
Date of Issue	26/05/78
Drawn	E. KUNSHU
Checked	
Scale	1:1

MASTER GT1064





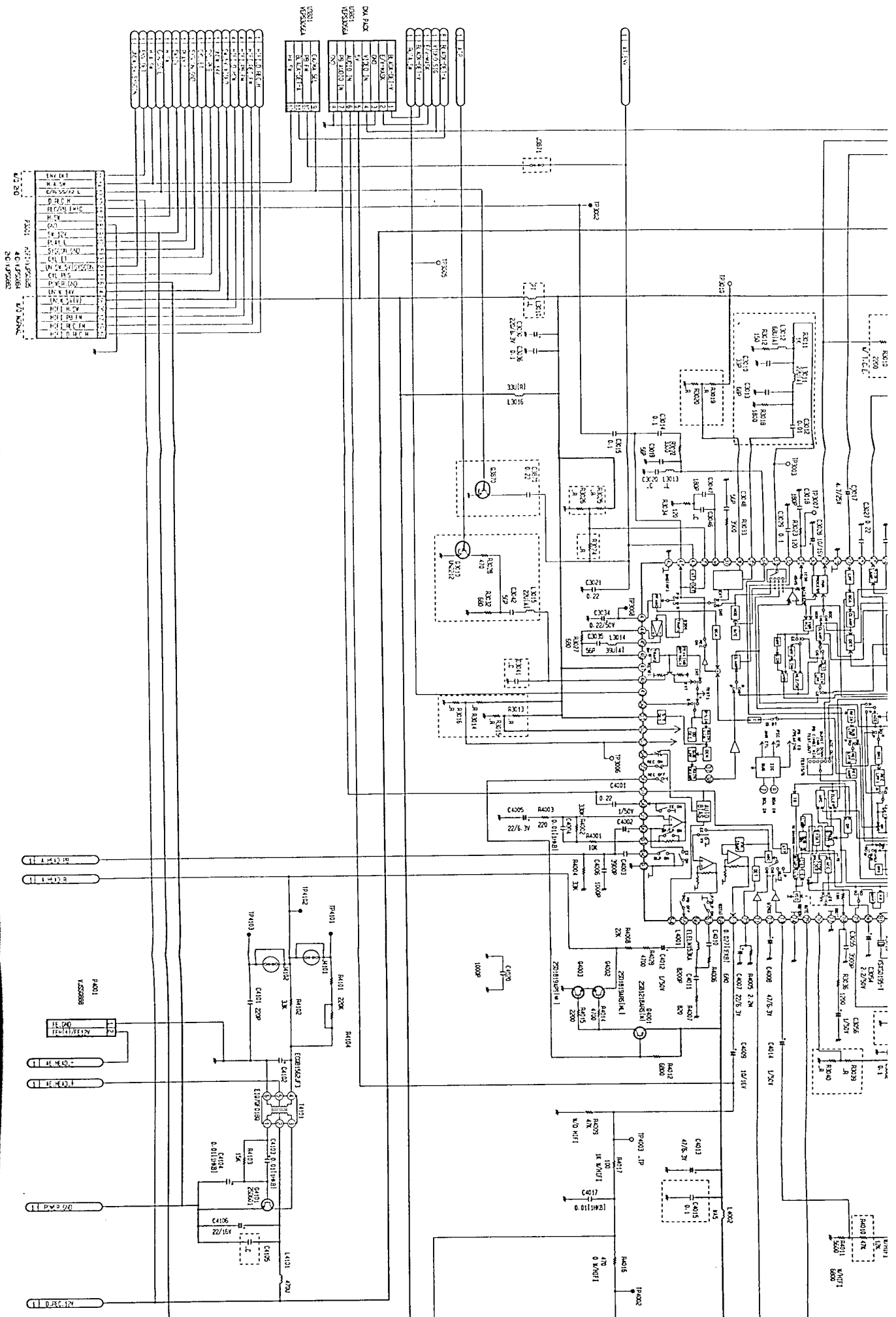










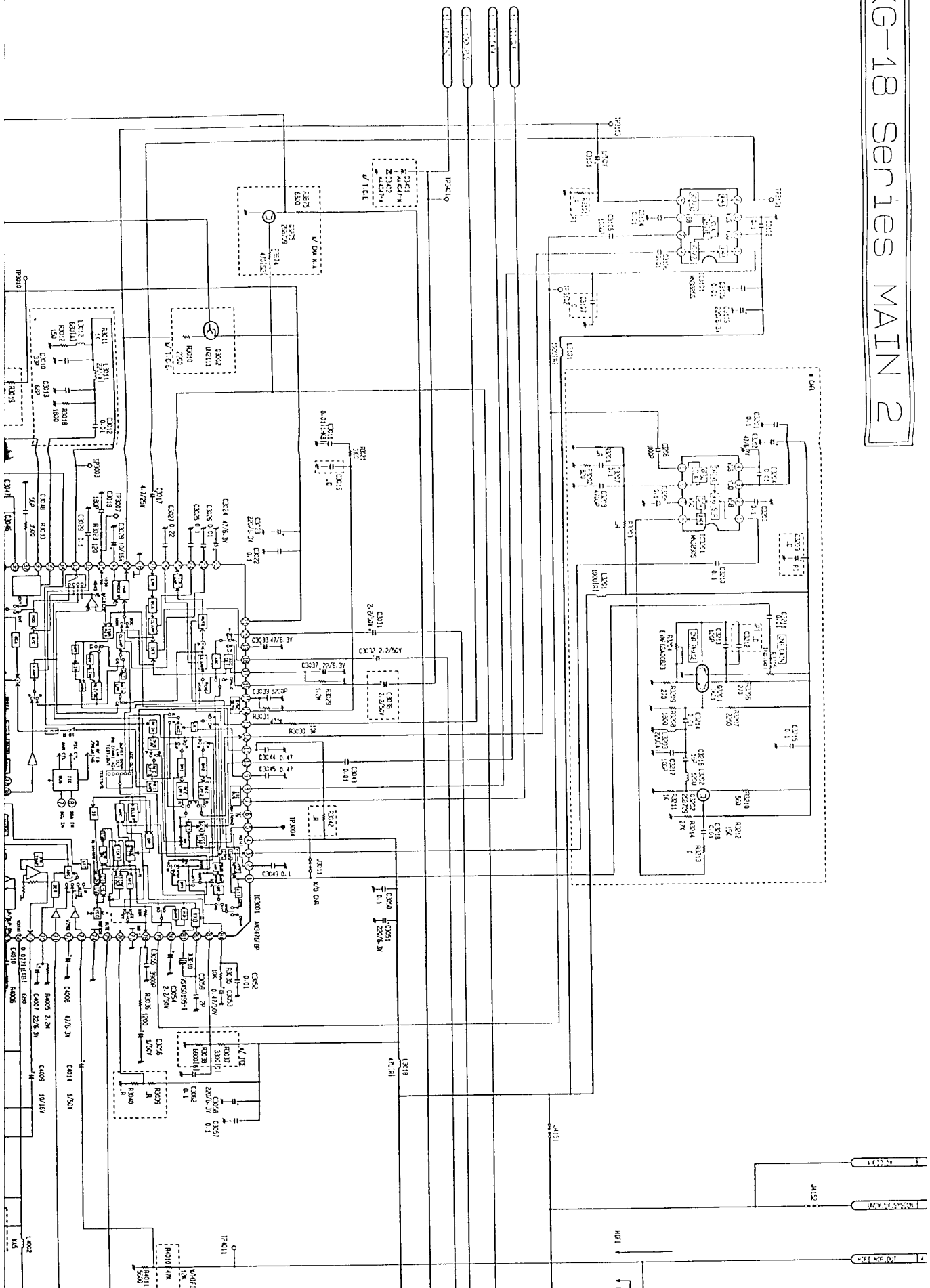


- 1. R1001 10K
- 2. R1002 10K
- 3. R1003 10K
- 4. R1004 10K
- 5. R1005 10K
- 6. R1006 10K
- 7. R1007 10K
- 8. R1008 10K
- 9. R1009 10K
- 10. R1010 10K
- 11. R1011 10K
- 12. R1012 10K
- 13. R1013 10K
- 14. R1014 10K
- 15. R1015 10K

NO.	DESCRIPTION	QTY.
1	IC1001	1
2	IC1002	1
3	IC1003	1
4	IC1004	1
5	IC1005	1
6	IC1006	1
7	IC1007	1
8	IC1008	1
9	IC1009	1
10	IC1010	1
11	IC1011	1
12	IC1012	1
13	IC1013	1
14	IC1014	1
15	IC1015	1
16	IC1016	1
17	IC1017	1
18	IC1018	1
19	IC1019	1
20	IC1020	1
21	IC1021	1
22	IC1022	1
23	IC1023	1
24	IC1024	1
25	IC1025	1
26	IC1026	1
27	IC1027	1
28	IC1028	1
29	IC1029	1
30	IC1030	1
31	IC1031	1
32	IC1032	1
33	IC1033	1
34	IC1034	1
35	IC1035	1
36	IC1036	1
37	IC1037	1
38	IC1038	1
39	IC1039	1
40	IC1040	1
41	IC1041	1
42	IC1042	1
43	IC1043	1
44	IC1044	1
45	IC1045	1
46	IC1046	1
47	IC1047	1
48	IC1048	1
49	IC1049	1
50	IC1050	1
51	IC1051	1
52	IC1052	1
53	IC1053	1
54	IC1054	1
55	IC1055	1
56	IC1056	1
57	IC1057	1
58	IC1058	1
59	IC1059	1
60	IC1060	1
61	IC1061	1
62	IC1062	1
63	IC1063	1
64	IC1064	1
65	IC1065	1
66	IC1066	1
67	IC1067	1
68	IC1068	1
69	IC1069	1
70	IC1070	1
71	IC1071	1
72	IC1072	1
73	IC1073	1
74	IC1074	1
75	IC1075	1
76	IC1076	1
77	IC1077	1
78	IC1078	1
79	IC1079	1
80	IC1080	1
81	IC1081	1
82	IC1082	1
83	IC1083	1
84	IC1084	1
85	IC1085	1
86	IC1086	1
87	IC1087	1
88	IC1088	1
89	IC1089	1
90	IC1090	1
91	IC1091	1
92	IC1092	1
93	IC1093	1
94	IC1094	1
95	IC1095	1
96	IC1096	1
97	IC1097	1
98	IC1098	1
99	IC1099	1
100	IC1100	1

NO.	DESCRIPTION	QTY.
1	IC1101	1
2	IC1102	1
3	IC1103	1
4	IC1104	1
5	IC1105	1
6	IC1106	1
7	IC1107	1
8	IC1108	1
9	IC1109	1
10	IC1110	1
11	IC1111	1
12	IC1112	1
13	IC1113	1
14	IC1114	1
15	IC1115	1
16	IC1116	1
17	IC1117	1
18	IC1118	1
19	IC1119	1
20	IC1120	1
21	IC1121	1
22	IC1122	1
23	IC1123	1
24	IC1124	1
25	IC1125	1
26	IC1126	1
27	IC1127	1
28	IC1128	1
29	IC1129	1
30	IC1130	1
31	IC1131	1
32	IC1132	1
33	IC1133	1
34	IC1134	1
35	IC1135	1
36	IC1136	1
37	IC1137	1
38	IC1138	1
39	IC1139	1
40	IC1140	1
41	IC1141	1
42	IC1142	1
43	IC1143	1
44	IC1144	1
45	IC1145	1
46	IC1146	1
47	IC1147	1
48	IC1148	1
49	IC1149	1
50	IC1150	1

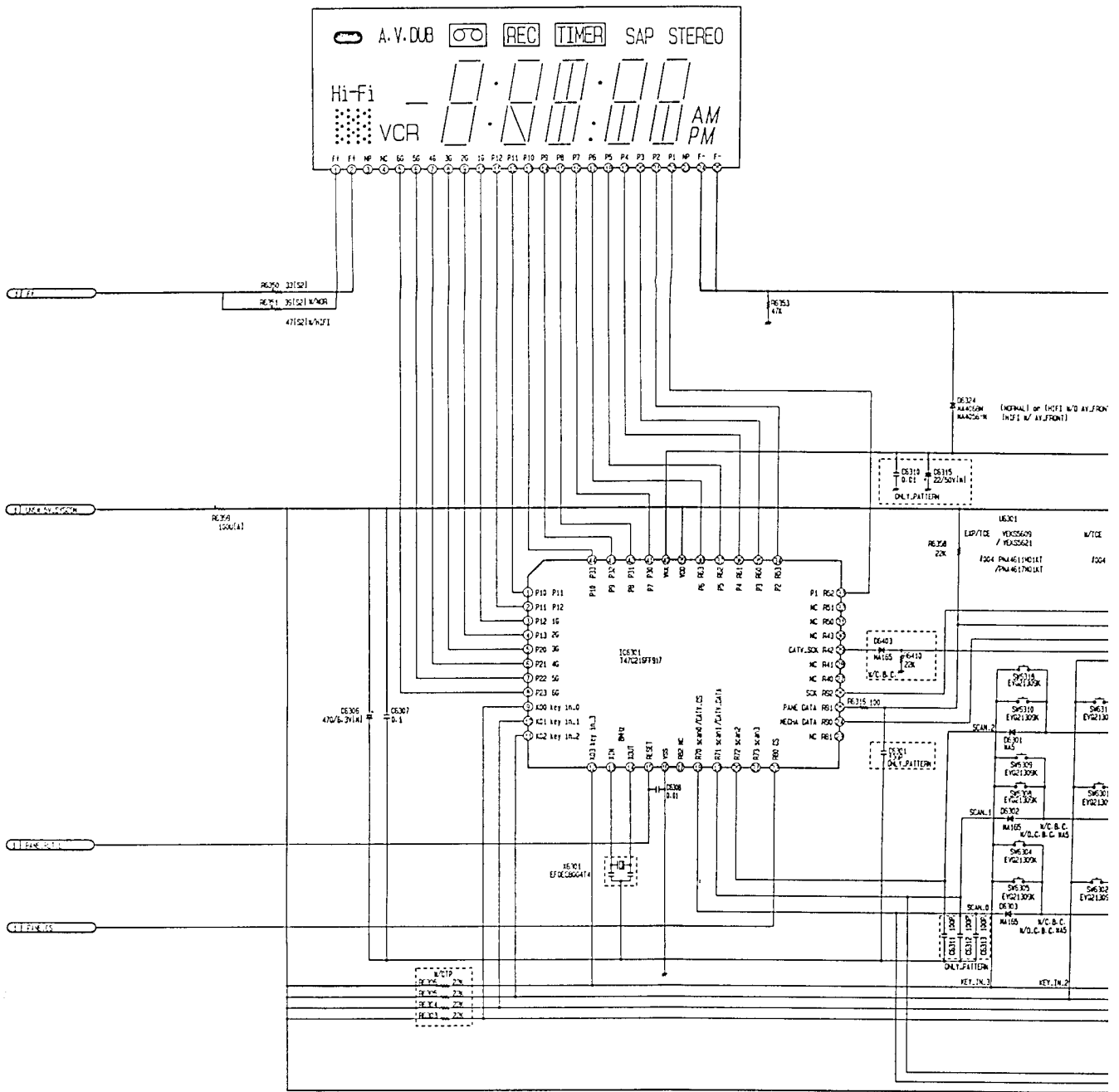
# KG-18 Series MAIN 2



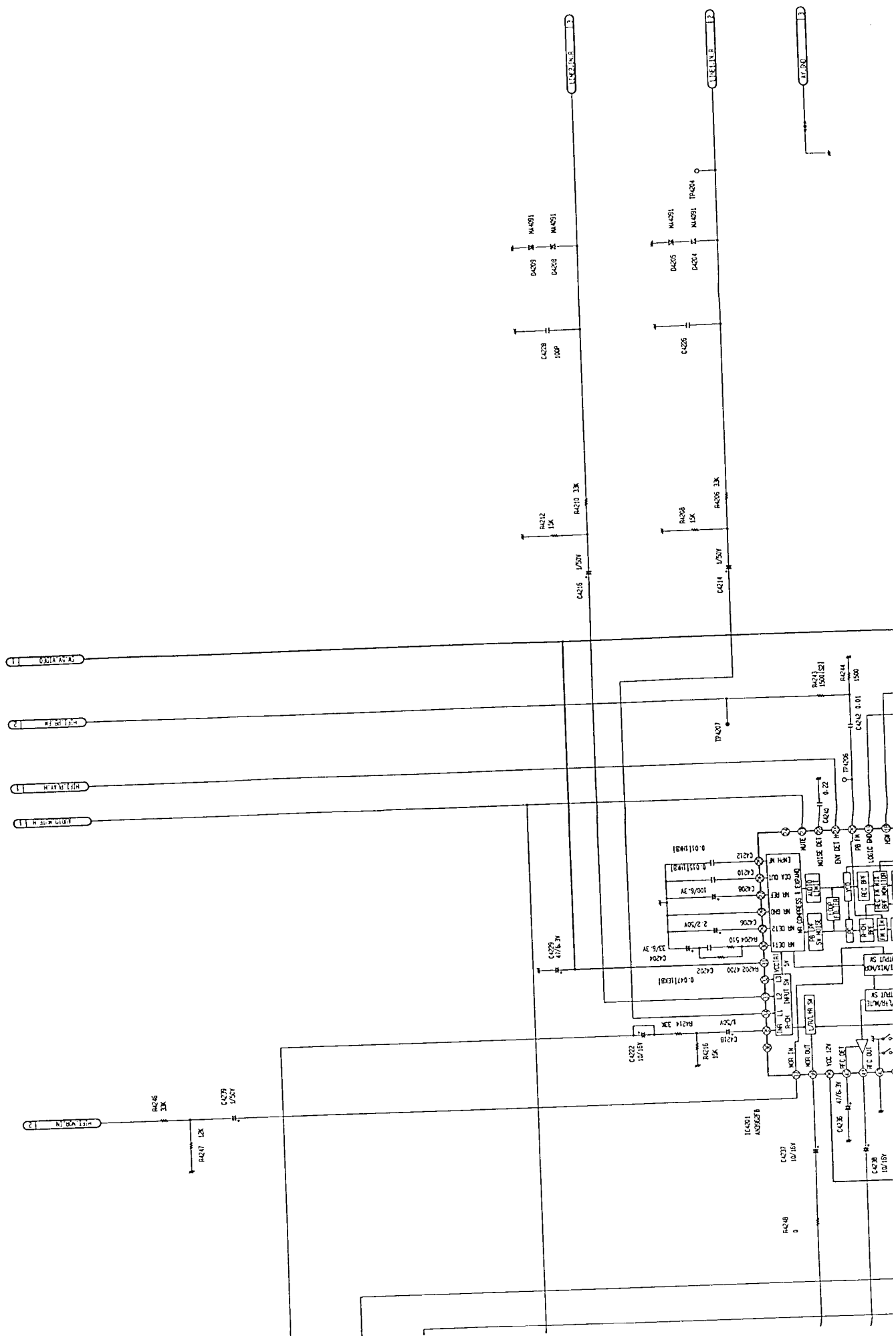
# KG-18series MAIN 3

FIP\_A TYPE

REV: 03/2009 / 03/2009





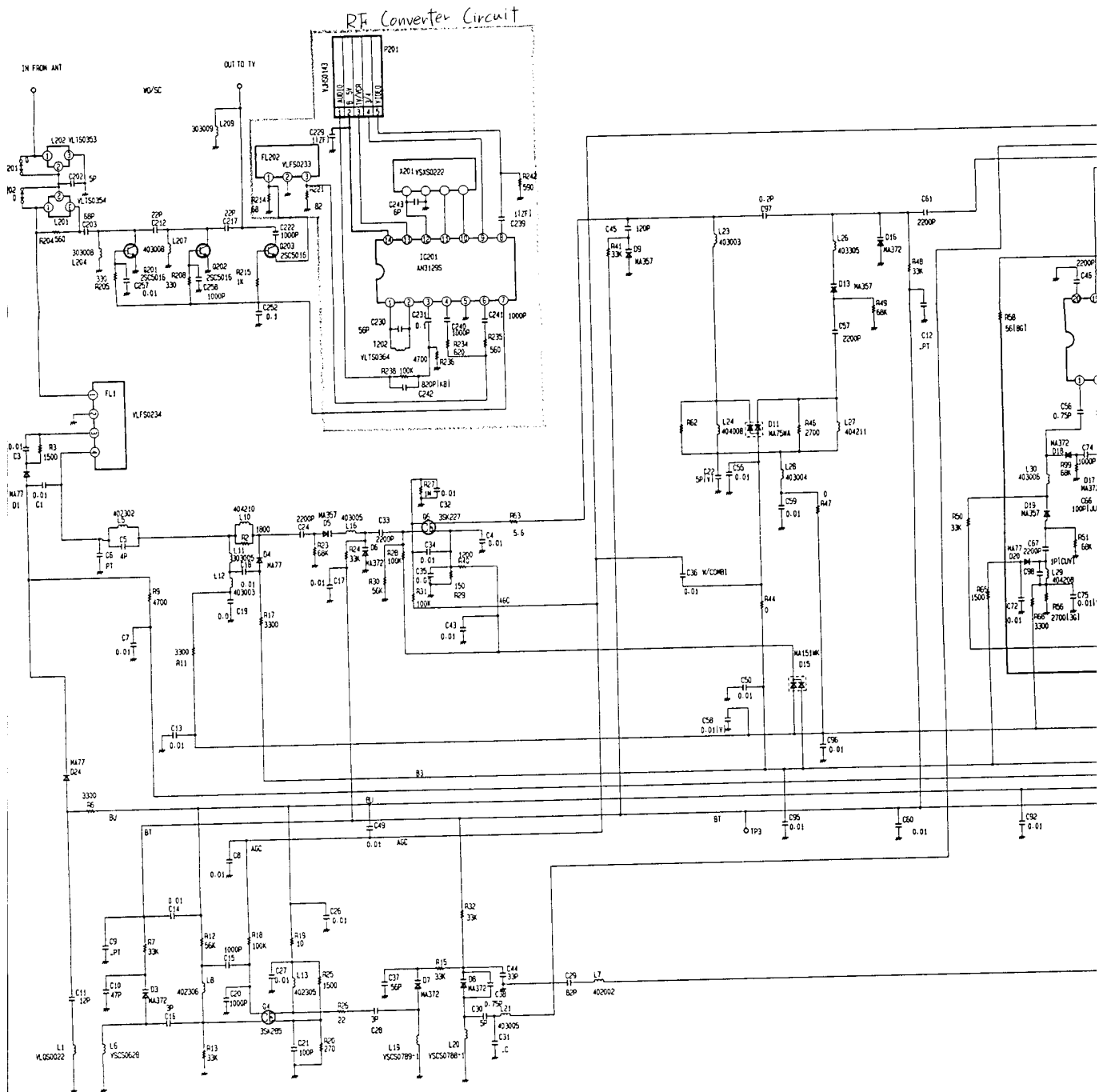






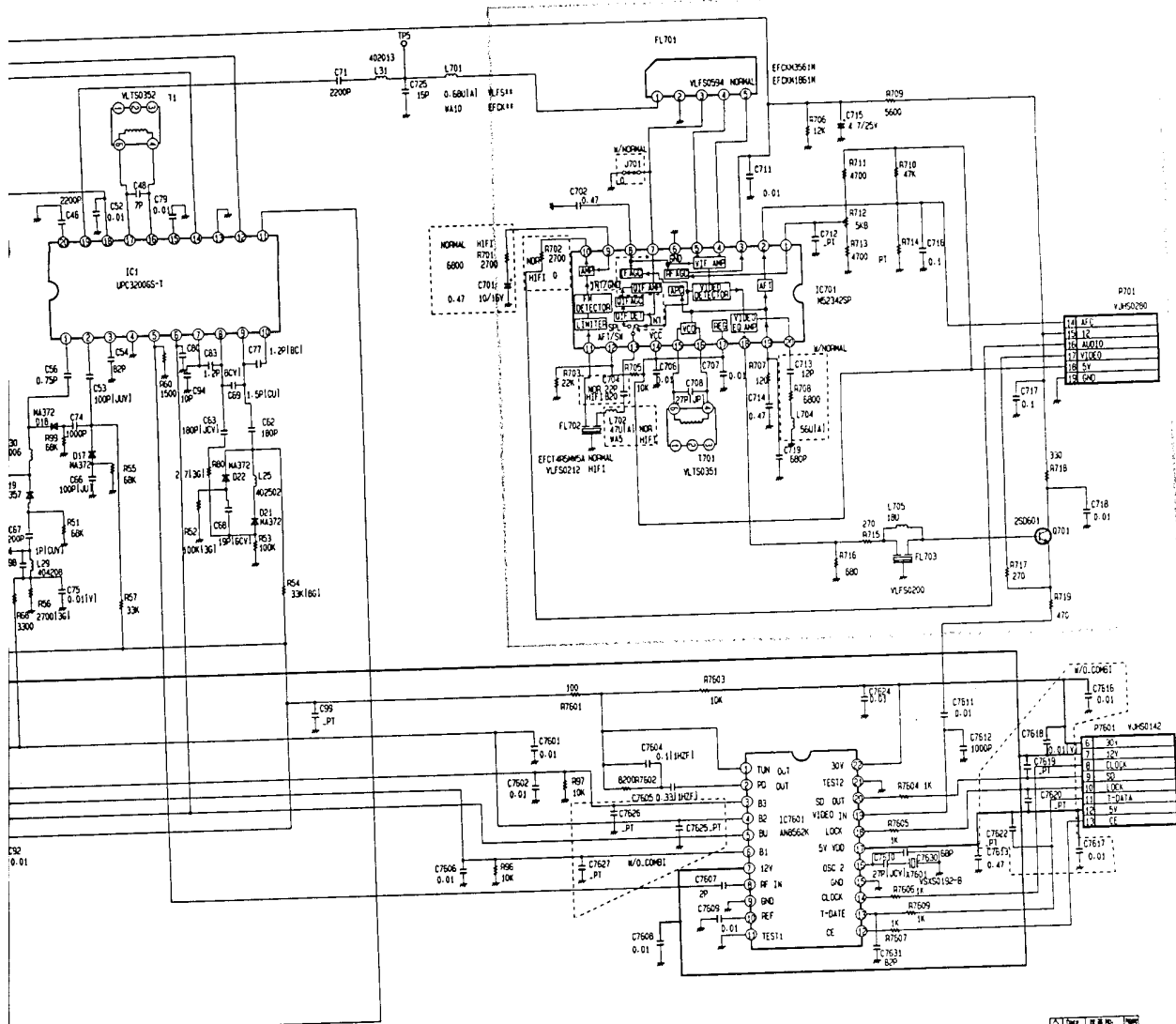


# RF DEMODULA



# JLATOR

## IF Circuit



REF. NO.	PARTS NO.
21	VLS0212
22	VLS02
23	DF-3300M
24	TN6610
25	L606
26	VLS0796 /0705-1
27	VLS0796 /0705-1
28	VSC3019-2 /-3
29	VSC3000-2
210	VSC30021-5 /-6
211	VSC30259

REF. NO.	SERIES
1	
2	
3	
4	
5	
6	
7	
8	
9	
10	
11	
12	
13	
14	
15	
16	
17	
18	
19	
20	
21	
22	
23	
24	
25	
26	
27	
28	
29	
30	
31	
32	
33	
34	
35	
36	
37	
38	
39	
40	
41	
42	
43	
44	
45	
46	
47	
48	
49	
50	
51	
52	
53	
54	
55	
56	
57	
58	
59	
60	
61	
62	
63	
64	
65	
66	
67	
68	
69	
70	
71	
72	
73	
74	
75	
76	
77	
78	
79	
80	
81	
82	
83	
84	
85	
86	
87	
88	
89	
90	
91	
92	
93	
94	
95	
96	
97	
98	
99	
100	
101	
102	
103	
104	
105	
106	
107	
108	
109	
110	
111	
112	
113	
114	
115	
116	
117	
118	
119	
120	
121	
122	
123	
124	
125	
126	
127	
128	
129	
130	
131	
132	
133	
134	
135	
136	
137	
138	
139	
140	
141	
142	
143	
144	
145	
146	
147	
148	
149	
150	
151	
152	
153	
154	
155	
156	
157	
158	
159	
160	
161	
162	
163	
164	
165	
166	
167	
168	
169	
170	
171	
172	
173	
174	
175	
176	
177	
178	
179	
180	
181	
182	
183	
184	
185	
186	
187	
188	
189	
190	
191	
192	
193	
194	
195	
196	
197	
198	
199	
200	

DRAWING NO. 7

RF DEMODULATOR (RF CONVERTER)  
VEQS 0603

Item	RF DEMODULATOR
Part No.	V7007
Applicable Models	KG-1B
Date of Issue	19/09/88
By	T. KANAKA

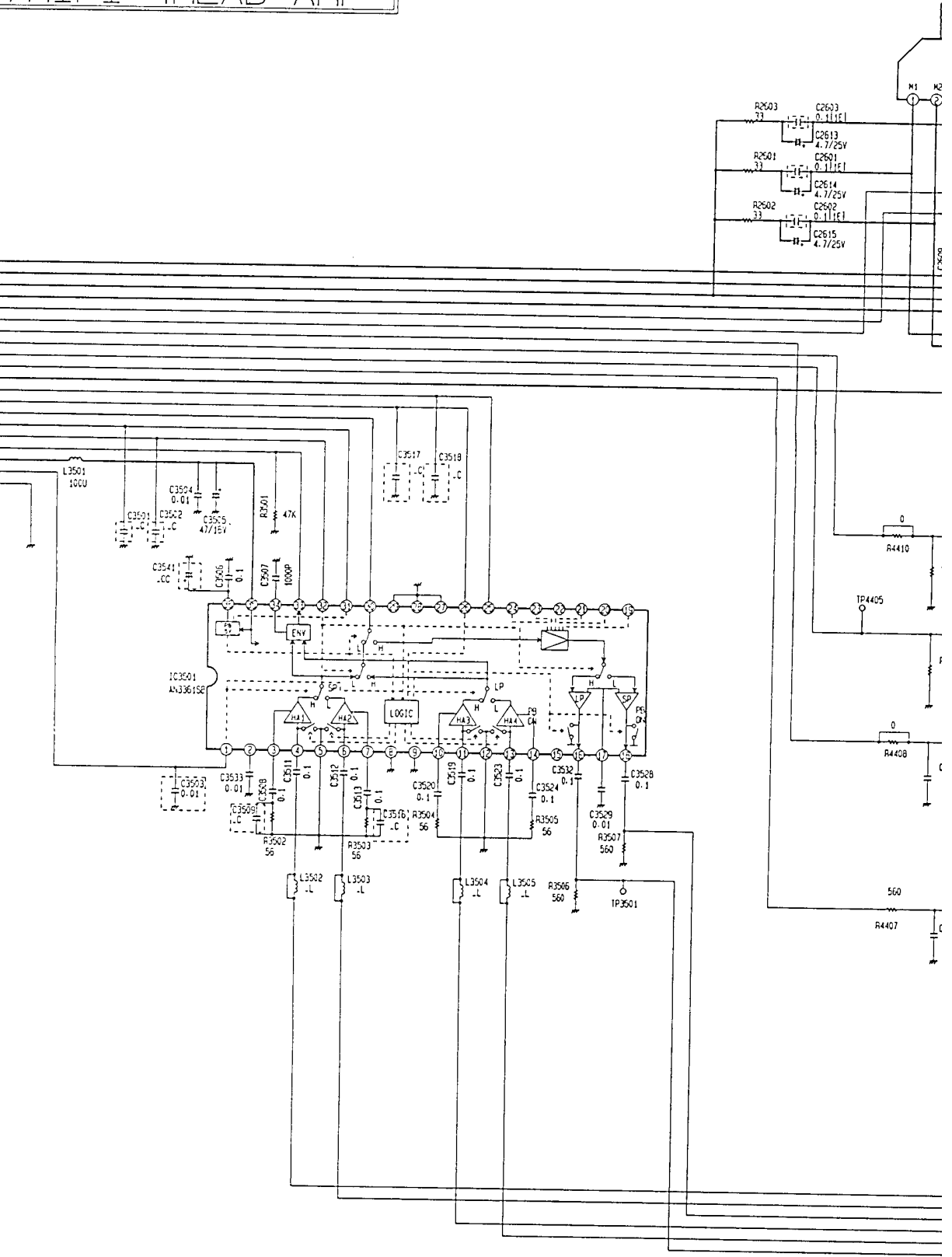
MASTER GT10



# 97HIFI 4HEAD AMP

P3501 VJSSC895

UNSK.14V	12
SYSTEM.GND	5
POWER.GND	6
UNSK.5X1S1	3
CYL.F1	7
CYL.F2	8
HIFI.D.REC.H	19
HIFI.REC.FM	13
HIFI.DI.FM	12
HIFI.H.SW	20
UNSK.5X1V1	15
D.REC.H	10
D/R/S/S/L2 L	11
REC/BB.FM1C	11
PLAY.L	11
HASK	14
EXT.F1	15
SW.12V	9
HSK	7
GND	2



560  
R4407

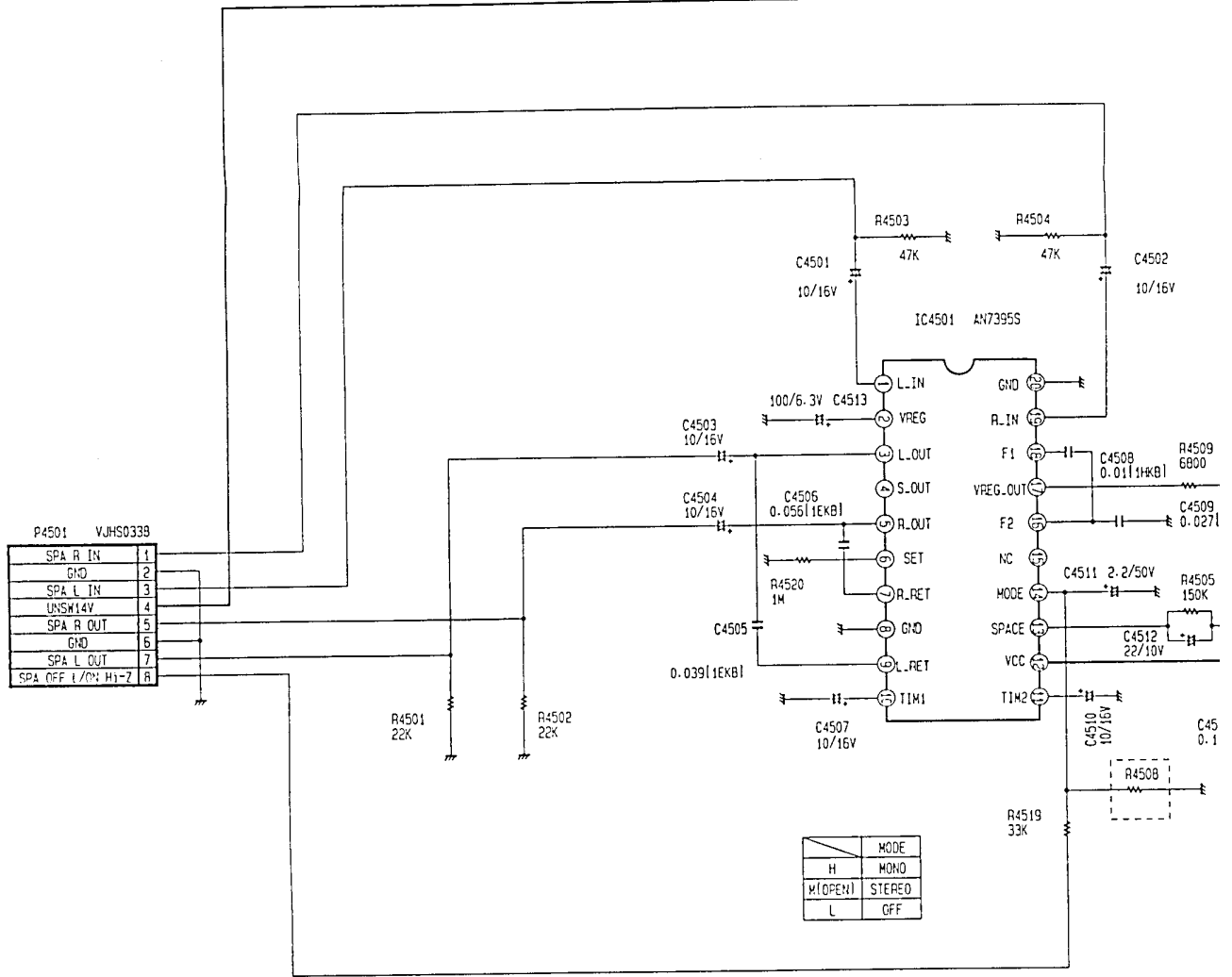








# SPATIALIZER PAC



P4501 VJHS0338

SPA R IN	1
GND	2
SPA L IN	3
UNSM14V	4
SPA R OUT	5
GND	6
SPA L OUT	7
SPA OFF L/O (H1-7)	8

	MODE
H	MONO
H(OFFEN)	STEREO
L	OFF

