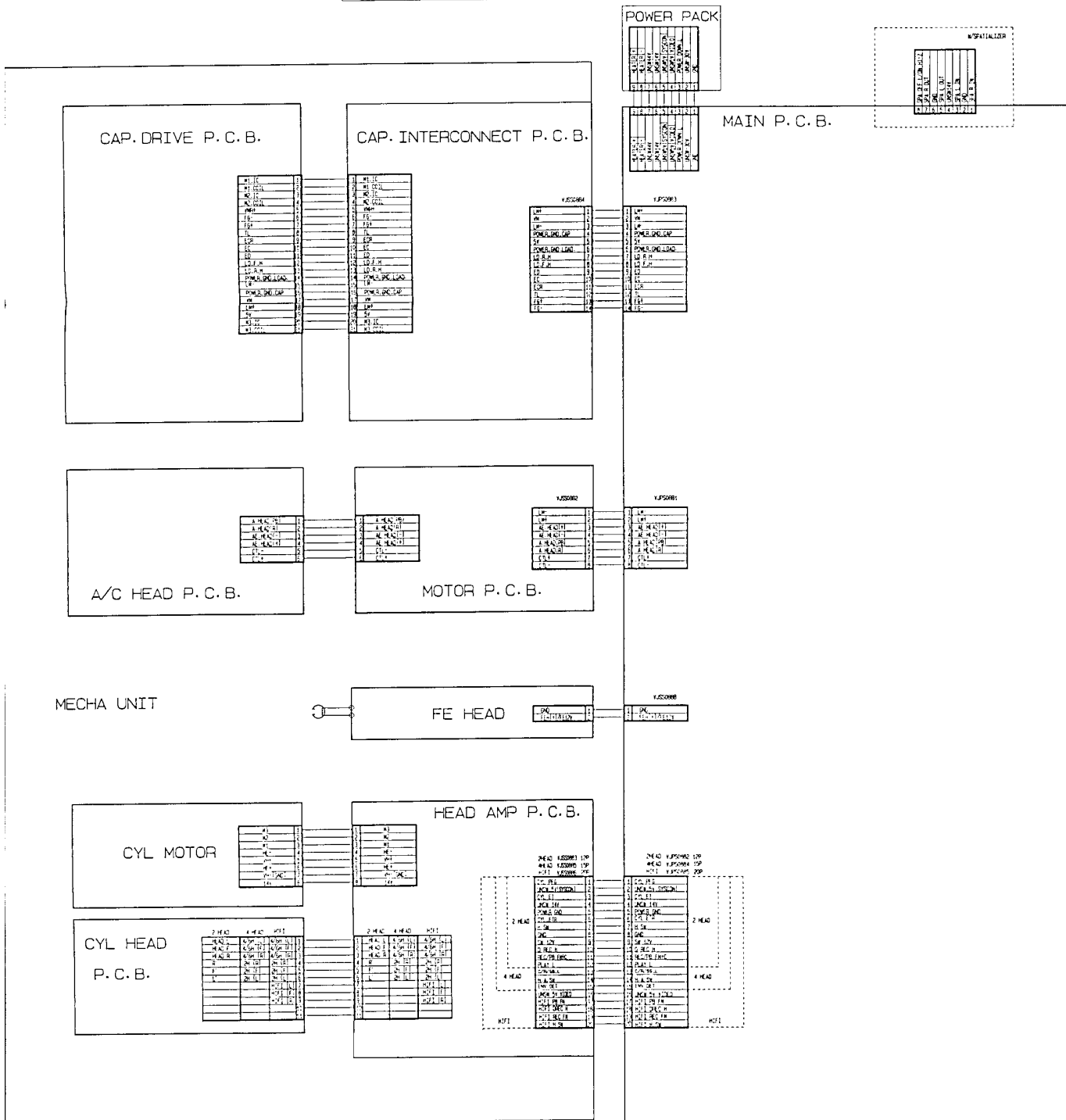


Schematic Diagram Index

EXHIBIT # : 5
FCC ID : ACJ927119AHP
OUR REF. : MKS98-F007
MODEL NO. : NV-HD8060PX

<u>Circuit Name</u>	<u>Drawing No.</u>
INTER CONNECTION	1
POWER	2
MAIN 1	3
MAIN 2	4
MAIN 3	5
MAIN 4	6
RF DEMODULATOR Type No.: VEQS0603 (RF CONVERTER)	7
HI-FI 4 HEAD AMP.	8
SPA PACK	9
CAP. TERMINAL	10
CAP. STATOR	11

KG-18 SERIES INTER CONNECTION

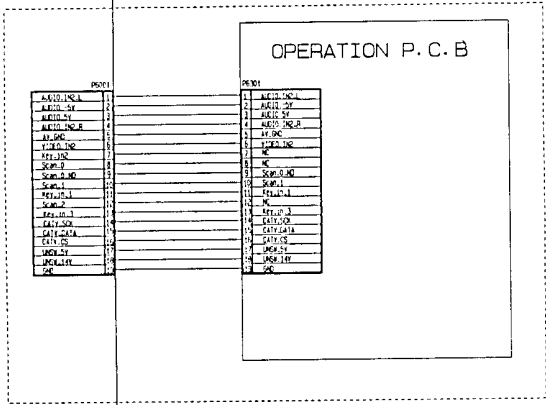




W/SPTALLES	
1	1
2	2
3	3
4	4
5	5
6	6
7	7
8	8
9	9
10	10
11	11
12	12
13	13
14	14
15	15
16	16
17	17
18	18
19	19
20	20
21	21
22	22
23	23
24	24
25	25
26	26
27	27
28	28
29	29
30	30
31	31
32	32
33	33
34	34
35	35
36	36
37	37
38	38
39	39
40	40
41	41
42	42
43	43
44	44
45	45
46	46
47	47
48	48
49	49
50	50
51	51
52	52
53	53
54	54
55	55
56	56
57	57
58	58
59	59
60	60
61	61
62	62
63	63
64	64
65	65
66	66
67	67
68	68
69	69
70	70
71	71
72	72
73	73
74	74
75	75
76	76
77	77
78	78
79	79
80	80
81	81
82	82
83	83
84	84
85	85
86	86
87	87
88	88
89	89
90	90
91	91
92	92
93	93
94	94
95	95
96	96
97	97
98	98
99	99
100	100

1	1
2	2
3	3
4	4
5	5
6	6
7	7
8	8
9	9
10	10
11	11
12	12
13	13
14	14
15	15
16	16
17	17
18	18
19	19
20	20
21	21
22	22
23	23
24	24
25	25
26	26
27	27
28	28
29	29
30	30
31	31
32	32
33	33
34	34
35	35
36	36
37	37
38	38
39	39
40	40
41	41
42	42
43	43
44	44
45	45
46	46
47	47
48	48
49	49
50	50
51	51
52	52
53	53
54	54
55	55
56	56
57	57
58	58
59	59
60	60
61	61
62	62
63	63
64	64
65	65
66	66
67	67
68	68
69	69
70	70
71	71
72	72
73	73
74	74
75	75
76	76
77	77
78	78
79	79
80	80
81	81
82	82
83	83
84	84
85	85
86	86
87	87
88	88
89	89
90	90
91	91
92	92
93	93
94	94
95	95
96	96
97	97
98	98
99	99
100	100

1	1
2	2
3	3
4	4
5	5
6	6
7	7
8	8
9	9
10	10
11	11
12	12
13	13
14	14
15	15
16	16
17	17
18	18
19	19
20	20
21	21
22	22
23	23
24	24
25	25
26	26
27	27
28	28
29	29
30	30
31	31
32	32
33	33
34	34
35	35
36	36
37	37
38	38
39	39
40	40
41	41
42	42
43	43
44	44
45	45
46	46
47	47
48	48
49	49
50	50
51	51
52	52
53	53
54	54
55	55
56	56
57	57
58	58
59	59
60	60
61	61
62	62
63	63
64	64
65	65
66	66
67	67
68	68
69	69
70	70
71	71
72	72
73	73
74	74
75	75
76	76
77	77
78	78
79	79
80	80
81	81
82	82
83	83
84	84
85	85
86	86
87	87
88	88
89	89
90	90
91	91
92	92
93	93
94	94
95	95
96	96
97	97
98	98
99	99
100	100



1	1
2	2
3	3
4	4
5	5
6	6
7	7
8	8
9	9
10	10
11	11
12	12
13	13
14	14
15	15
16	16
17	17
18	18
19	19
20	20
21	21
22	22
23	23
24	24
25	25
26	26
27	27
28	28
29	29
30	30
31	31
32	32
33	33
34	34
35	35
36	36
37	37
38	38
39	39
40	40
41	41
42	42
43	43
44	44
45	45
46	46
47	47
48	48
49	49
50	50
51	51
52	52
53	53
54	54
55	55
56	56
57	57
58	58
59	59
60	60
61	61
62	62
63	63
64	64
65	65
66	66
67	67
68	68
69	69
70	70
71	71
72	72
73	73
74	74
75	75
76	76
77	77
78	78
79	79
80	80
81	81
82	82
83	83
84	84
85	85
86	86
87	87
88	88
89	89
90	90
91	91
92	92
93	93
94	94
95	95
96	96
97	97
98	98
99	99
100	100

DRAWING NO. 1

INTER CONNECTION

Item	INTER CONNECTION
Part No.	KG-18601eb
Applicable	
Model	
Date	18/02/01
Drawn	J. TANAKA
Checked	

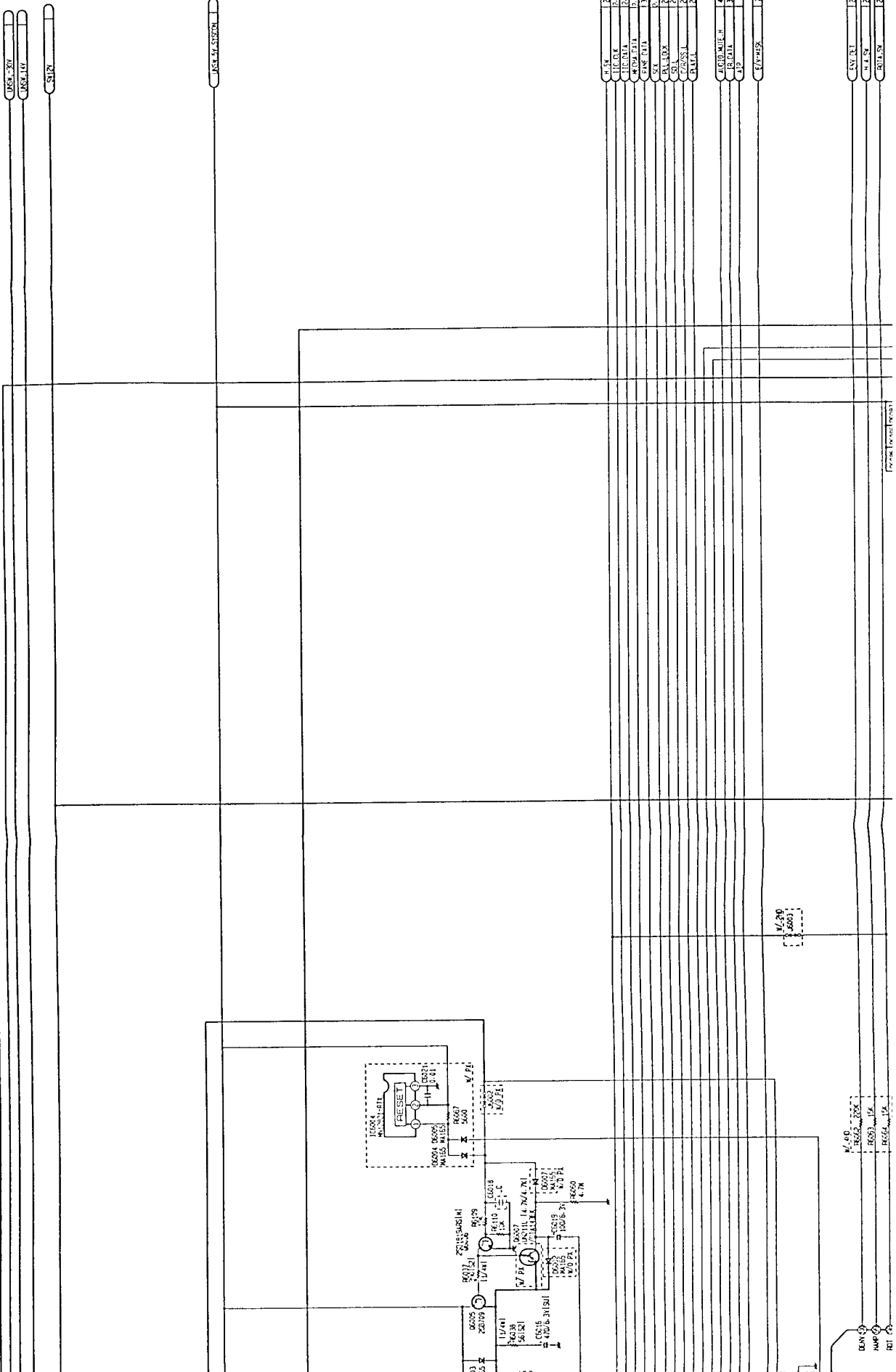
MASTER GT1059

LOCK 1
RESET 2
MOTOR 3
STOP 4

LOCK 1

W 1
R 2
C 3
S 4
M 5
A 6
L 7
S 8
C 9
R 10
M 11
A 12
L 13
S 14
C 15
R 16
M 17
A 18
L 19
S 20

LOCK 1
RESET 2
MOTOR 3
STOP 4



M 10

M 10
R 11
S 12
C 13
R 14

Power Transformer

RET 1

617005

1
2
3
4

1	POS. 1
2	POS. 2
3	POS. 3
4	POS. 4
5	POS. 5

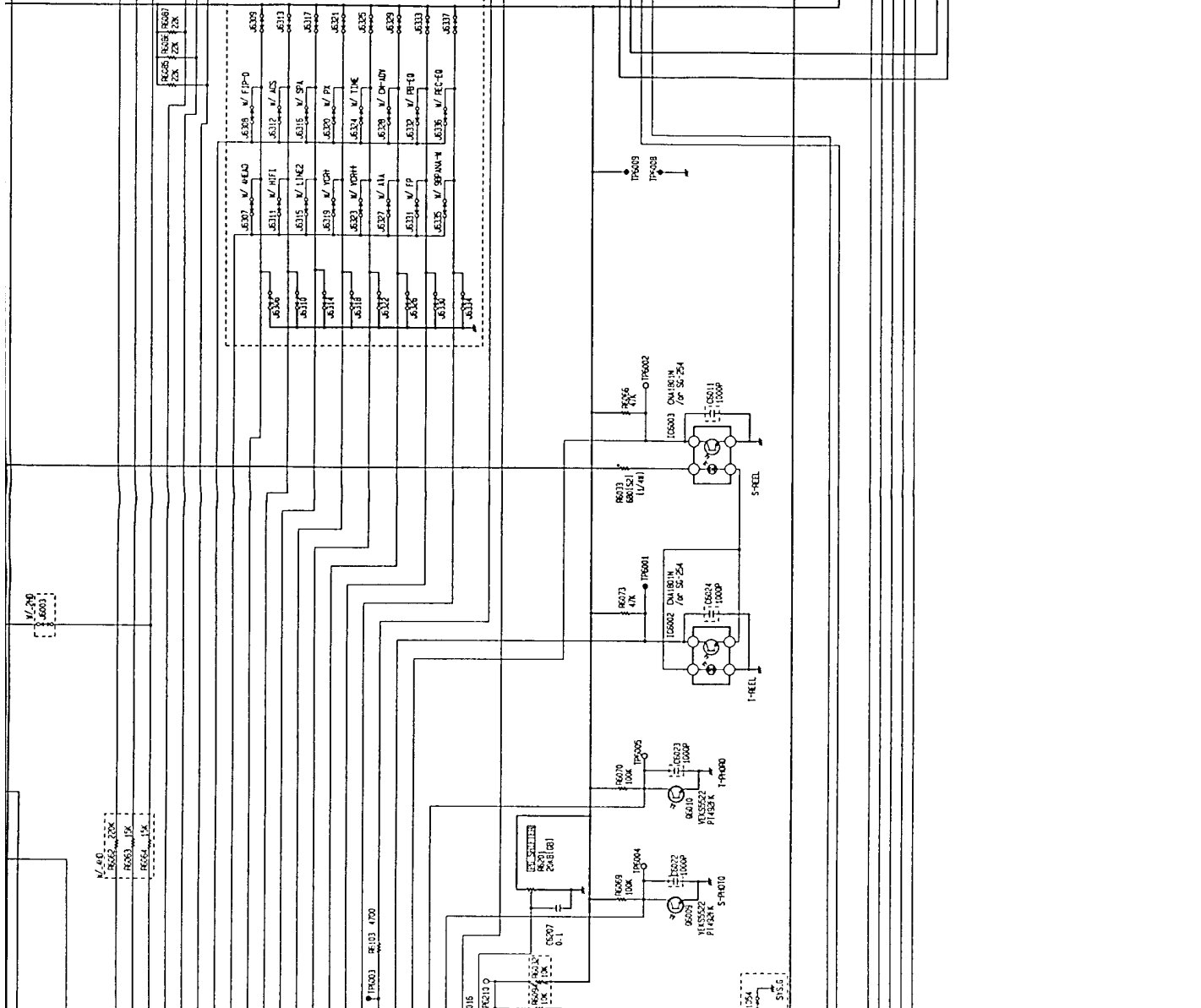
W/T	SCANI	SCAN2
RE70	W/RELO	W/FP-0
RE71	W/HP1	W/A.C.S
RE72	W/LINE2	---
RE73	---	---
RE74	W/HPH	W/D.C.K.SET
RE75	---	W/OAL
RE76	---	W/PRELO
RE77	W/RELFONT	W/RELEO

1
2

1	10 LOAD MOTOR BLOCK
2	W/FP-0
3	W/HP1
4	W/LINE2
5	W/HPH
6	W/OAL
7	W/PRELO
8	W/RELFONT
9	W/RELEO

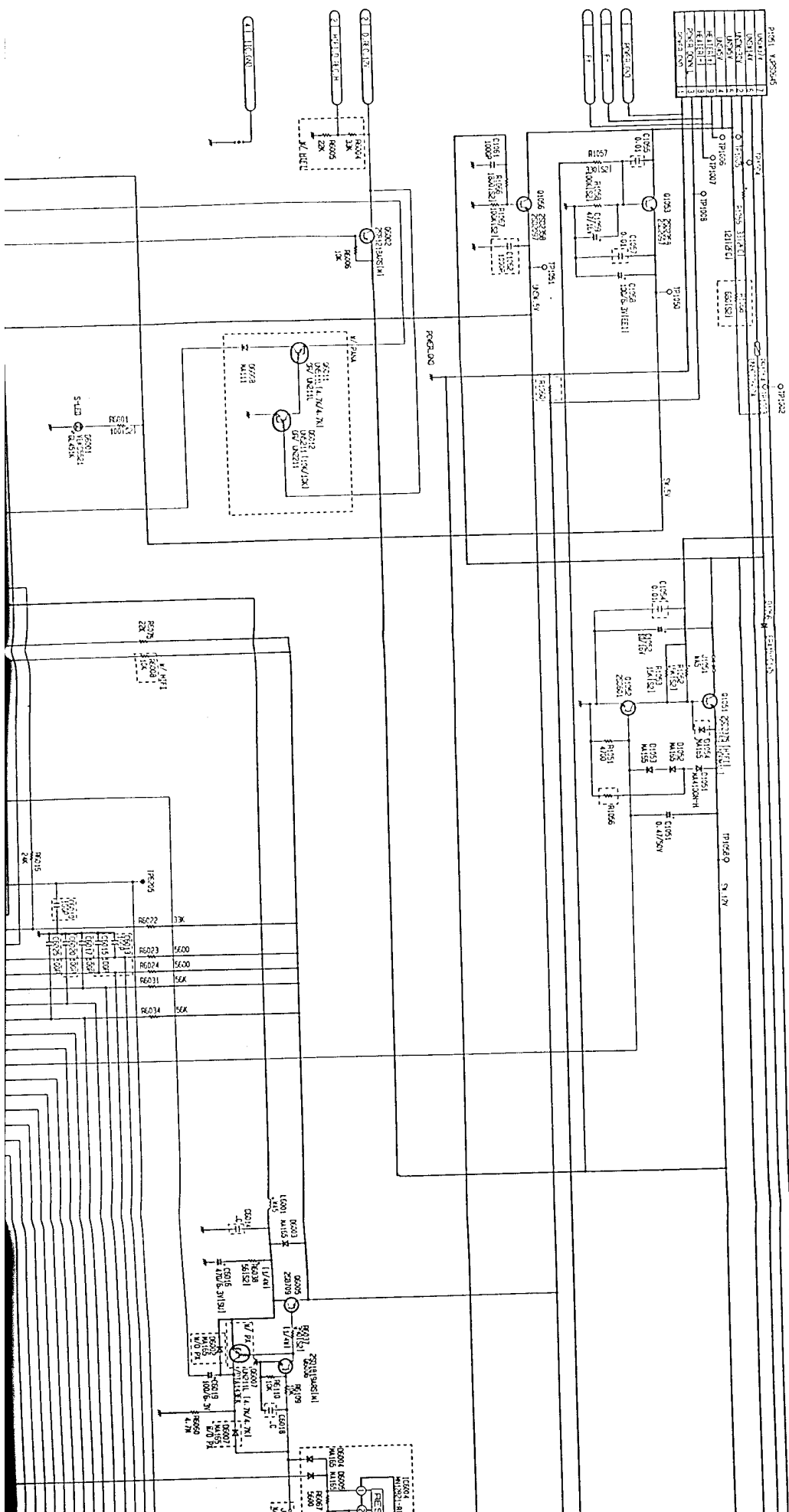
1
2
3

1	10 LOAD MOTOR BLOCK
2	W/FP-0
3	W/HP1
4	W/LINE2
5	W/HPH
6	W/OAL
7	W/PRELO
8	W/RELFONT
9	W/RELEO



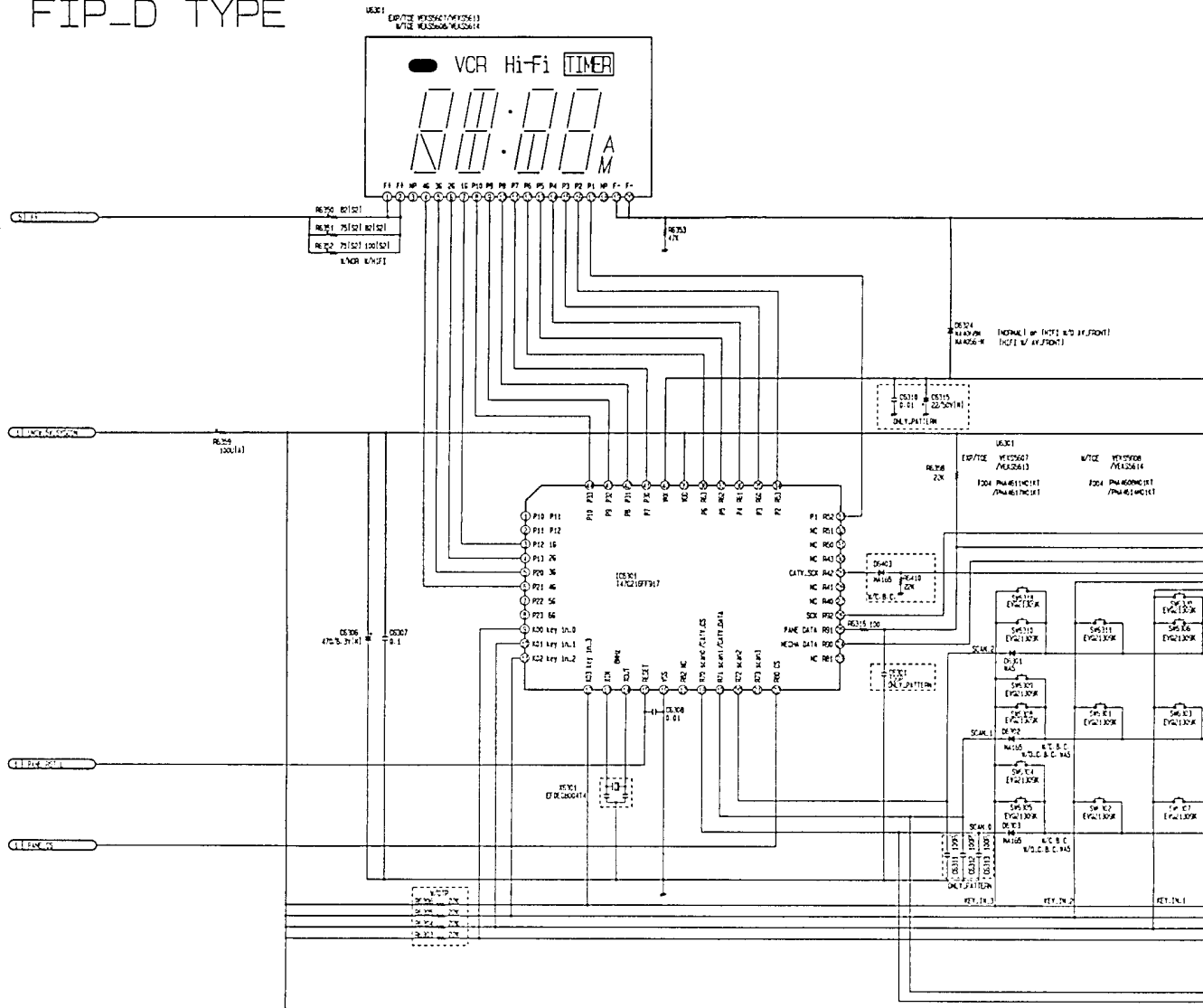
REF. NO.	ECO SERIES
1	1000
2	1001
3	1002
4	1003
5	1004
6	1005
7	1006
8	1007
9	1008
10	1009
11	1010
12	1011
13	1012
14	1013
15	1014
16	1015
17	1016
18	1017
19	1018
20	1019
21	1020
22	1021
23	1022
24	1023
25	1024
26	1025
27	1026
28	1027
29	1028
30	1029
31	1030
32	1031
33	1032
34	1033
35	1034
36	1035
37	1036
38	1037
39	1038
40	1039
41	1040
42	1041
43	1042
44	1043
45	1044
46	1045
47	1046
48	1047
49	1048
50	1049
51	1050
52	1051
53	1052
54	1053
55	1054
56	1055
57	1056
58	1057
59	1058
60	1059
61	1060
62	1061
63	1062
64	1063
65	1064
66	1065
67	1066
68	1067
69	1068
70	1069
71	1070
72	1071
73	1072
74	1073
75	1074
76	1075
77	1076
78	1077
79	1078
80	1079
81	1080
82	1081
83	1082
84	1083
85	1084
86	1085
87	1086
88	1087
89	1088
90	1089
91	1090
92	1091
93	1092
94	1093
95	1094
96	1095
97	1096
98	1097
99	1098
100	1099
101	1100
102	1101
103	1102
104	1103
105	1104
106	1105
107	1106
108	1107
109	1108
110	1109
111	1110
112	1111
113	1112
114	1113
115	1114
116	1115
117	1116
118	1117
119	1118
120	1119
121	1120
122	1121
123	1122
124	1123
125	1124
126	1125
127	1126
128	1127
129	1128
130	1129
131	1130
132	1131
133	1132
134	1133
135	1134
136	1135
137	1136
138	1137
139	1138
140	1139
141	1140
142	1141
143	1142
144	1143
145	1144
146	1145
147	1146
148	1147
149	1148
150	1149
151	1150
152	1151
153	1152
154	1153
155	1154
156	1155
157	1156
158	1157
159	1158
160	1159
161	1160
162	1161
163	1162
164	1163
165	1164
166	1165
167	1166
168	1167
169	1168
170	1169
171	1170
172	1171
173	1172
174	1173
175	1174
176	1175
177	1176
178	1177
179	1178
180	1179
181	1180
182	1181
183	1182
184	1183
185	1184
186	1185
187	1186
188	1187
189	1188
190	1189
191	1190
192	1191
193	1192
194	1193
195	1194
196	1195
197	1196
198	1197
199	1198
200	1199
201	1200
202	1201
203	1202
204	1203
205	1204
206	1205
207	1206
208	1207
209	1208
210	1209
211	1210
212	1211
213	1212
214	1213
215	1214
216	1215
217	1216
218	1217
219	1218
220	1219
221	1220
222	1221
223	1222
224	1223
225	1224
226	1225
227	1226
228	1227
229	1228
230	1229
231	1230
232	1231
233	1232
234	1233
235	1234
236	1235
237	1236
238	1237
239	1238
240	1239
241	1240
242	1241
243	1242
244	1243
245	1244
246	1245
247	1246
248	1247
249	1248
250	1249
251	1250
252	1251
253	1252
254	1253
255	1254
256	1255
257	1256
258	1257
259	1258
260	1259
261	1260
262	1261
263	1262
264	1263
265	1264
266	1265
267	1266
268	1267
269	1268
270	1269
271	1270
272	1271
273	1272
274	1273
275	1274
276	1275
277	1276
278	1277
279	1278
280	1279
281	1280
282	1281
283	1282
284	1283
285	1284
286	1285
287	1286
288	1287
289	1288
290	1289
291	1290
292	1291
293	1292
294	1293
295	1294
296	1295
297	1296
298	1297
299	1298
300	1299
301	1300
302	1301
303	1302
304	1303
305	1304
306	1305
307	1306
308	1307
309	1308
310	1309
311	1310
312	1311
313	1312
314	1313
315	1314
316	1315
317	1316
318	1317
319	1318
320	1319
321	1320
322	1321
323	1322
324	1323
325	1324
326	1325
327	1326
328	1327
329	1328
330	1329
331	1330
332	1331
333	1332
334	1333
335	1334
336	1335
337	1336
338	1337
339	1338
340	1339
341	1340
342	1341
343	1342
344	1343
345	1344
346	1345
347	1346
348	1347
349	1348
350	1349
351	1350
352	1351
353	1352
354	1353
355	1354
356	1355
357	1356
358	1357
359	1358
360	1359
361	1360
362	1361
363	1362
364	1363
365	1364
366	1365
367	1366
368	1367
369	1368
370	1369
371	1370
372	1371
373	1372
374	1373
375	1374
376	1375
377	1376
378	1377
379	1378
380	1379
381	1380
382	1381
383	1382
384	1383
385	1384
386	1385
387	1386
388	1387
389	1388
390	1389
391	1390
392	1391
393	1392
394	1393
395	1394
396	1395
397	1396
398	1397
399	1398
400	1399
401	1400
402	1401
403	1402
404	1403
405	1404
406	1405
407	1406
408	1407
409	1408
410	1409
411	1410
412	1411
413	1412
414	1413
415	1414
416	1415
417	1416
418	1417
419	1418
420	1419
421	1420
422	1421
423	1422
424	1423
425	1424
426	1425
427	1426
428	1427
429	1428
430	1429
431	1430
432	1431
433	1432
434	1433
435	1434
436	1435
437	1436
438	1437
439	1438
440	1439
441	1440
442	1441
443	1442
444	1443
445	1444
446	1445
447	1446
448	1447
449	1448
450	1449
451	1450
452	1451
453	1452
454	1453
455	1454
456	1455
457	1456
458	1457
459	1458
460	1459
461	1460
462	1461
463	1462
464	1463
465	1464
466	1465
467	1466
468	1467
469	1468
470	1469
471	1470
472	1471
473	1472
474	1473
475	1474
476	1475
477	1476
478	1477
479	1478
480	1479
481	1480
482	1481
483	1482
484	1483
485	1484
486	1485
487	1486
488	1487
489	1488
490	1489
491	1490
492	1491
493	1492
494	1493
495	1494
496	1495
497	1496
498	1497
499	1498
500	1499
501	1500

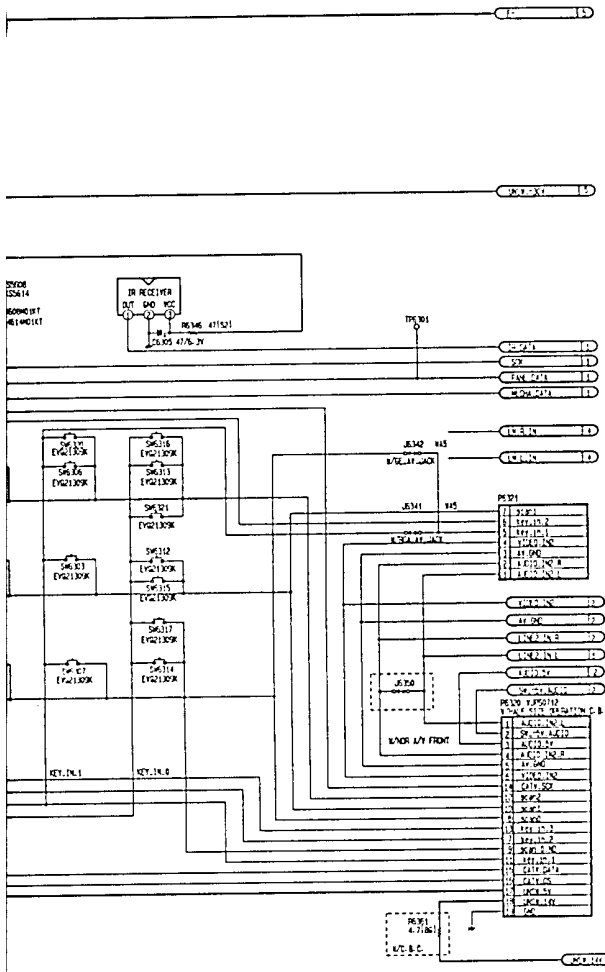
98_MODEL MAIN-1



KG-18series MAIN 3

FIP_D TYPE



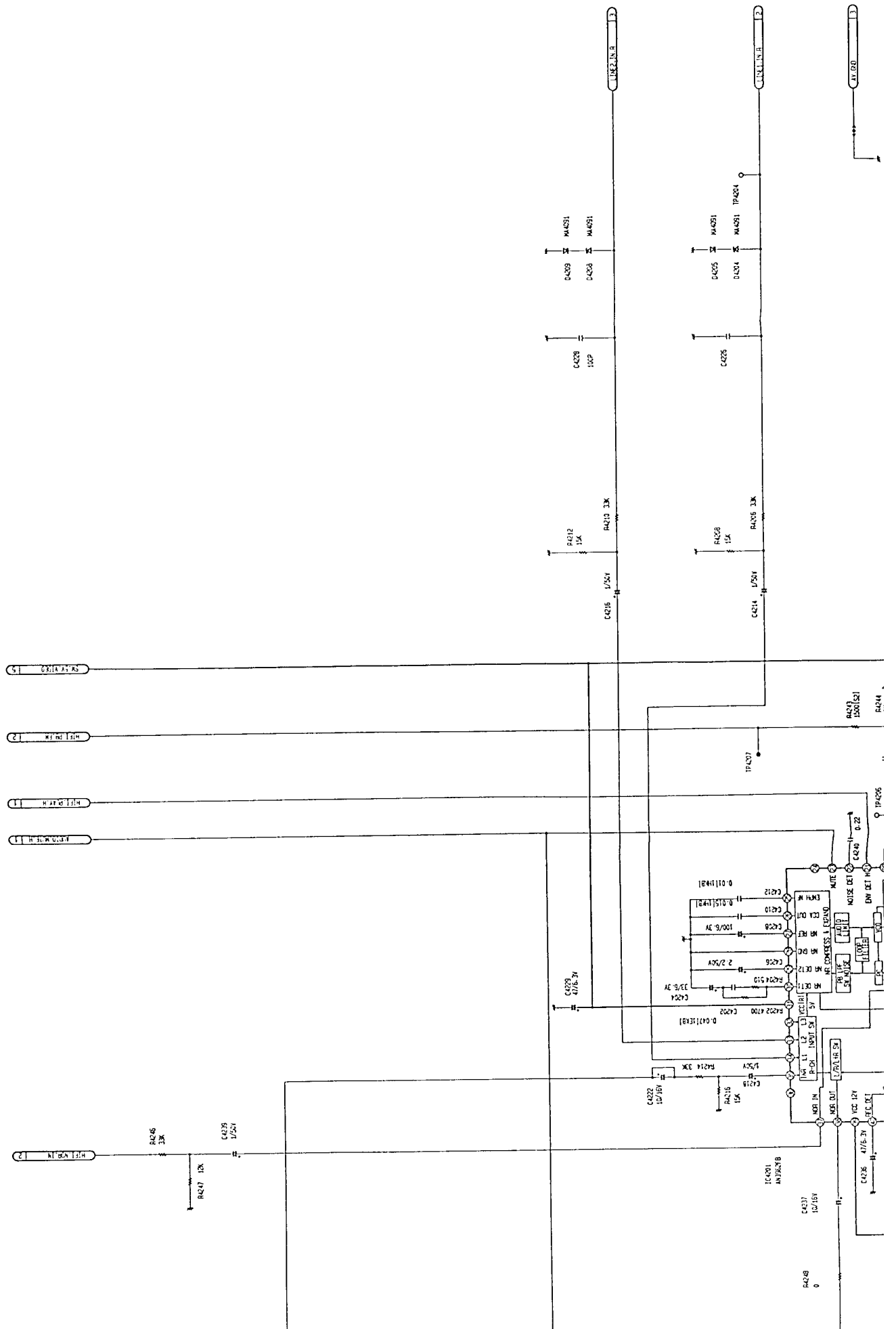


SWITCH	SYMBOL	SYMBOL	SYMBOL	SYMBOL	SYMBOL	SYMBOL	SYMBOL
SW301	POWER	---	---	POWER	---	POWER	---
SW302	---	---	---	STOP/RECT	---	STOP/RECT	---
SW303	STOP/RECT	---	DOWN	DOWN	---	STOP/RECT	---
SW304	---	---	OLUP	OLUP	---	---	---
SW305	DOWN	---	---	---	---	---	---
SW306	OLUP	---	TRVGR	TRVGR	DOWN	DOWN	---
SW307	---	---	---	---	OLUP	OLUP	---
SW308	TRVGR	TRVGR	---	---	---	---	---
SW309	---	---	---	---	---	---	---
SW310	REC	REC	REC	REC	TRVGR	TRVGR	---
SW311	PLAT	PLAT	PLAT/PLAZE	PLAT/PLAZE	PLAT/PLAZE	PLAT/PLAZE	---
SW312	FF	FF	PLAT/PLAZE	PLAT/PLAZE	PLAT/PLAZE	PLAT/PLAZE	---
SW313	REC/TIME	REC/TIME	FNO	FNO	FNO	FNO	---
SW314	---	---	---	---	REC	REC	---
SW315	---	---	---	---	---	---	---
J301	---	---	---	---	---	---	---
J302	---	---	---	---	---	---	---

Item	MAIN-3
Date	1954-10-10
Author	KG-1000100
Check	---
Date of issue	1954-10-10
Drawn	T. S. S. T.
Checked	---

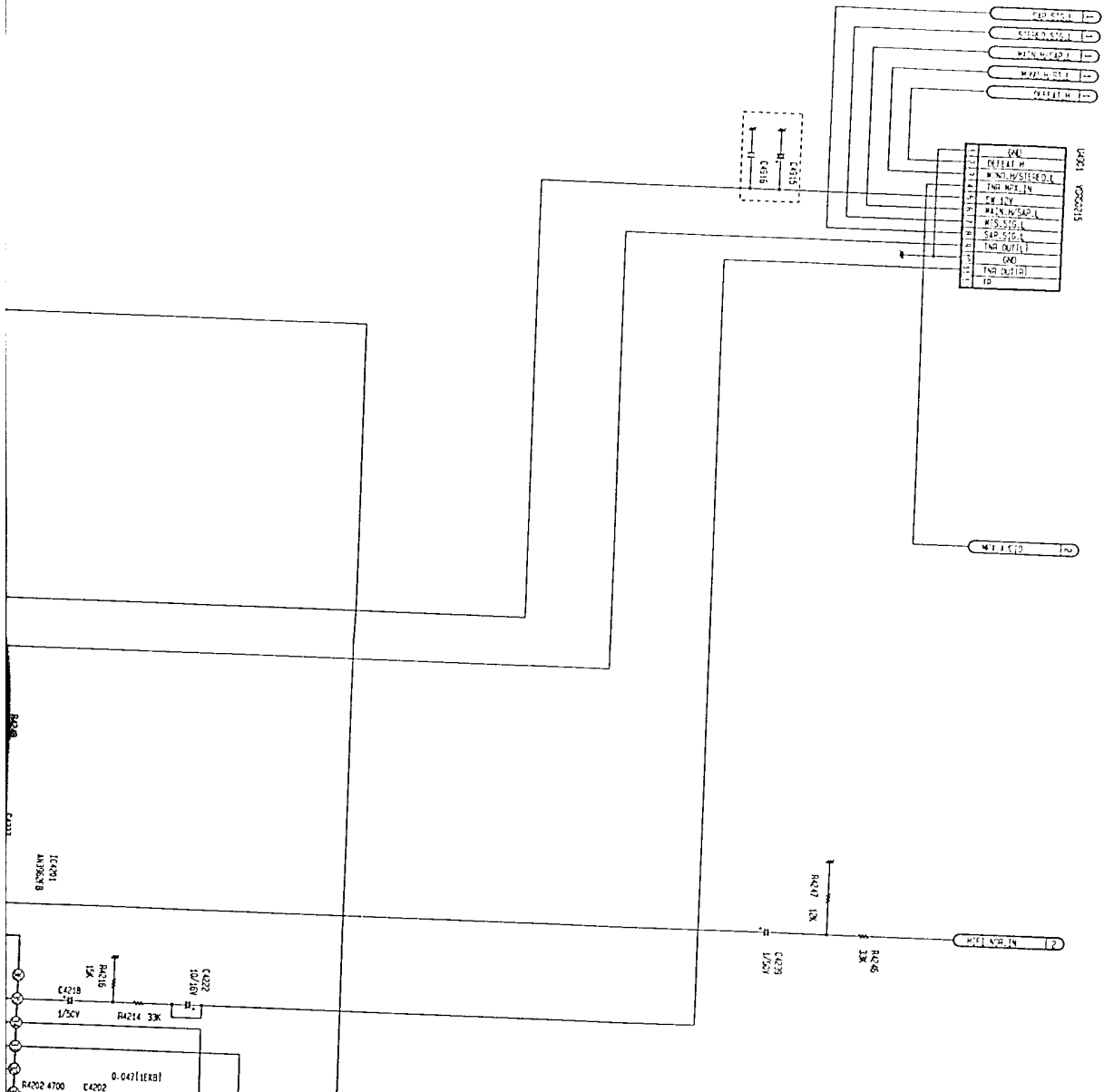
DRAWING NO. 5
MAIN 3

MASTER GT1057

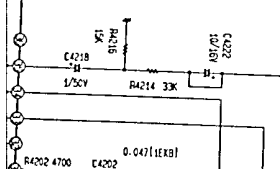


KG-18 MAIN 4 HI-FI

21 REFERENCE

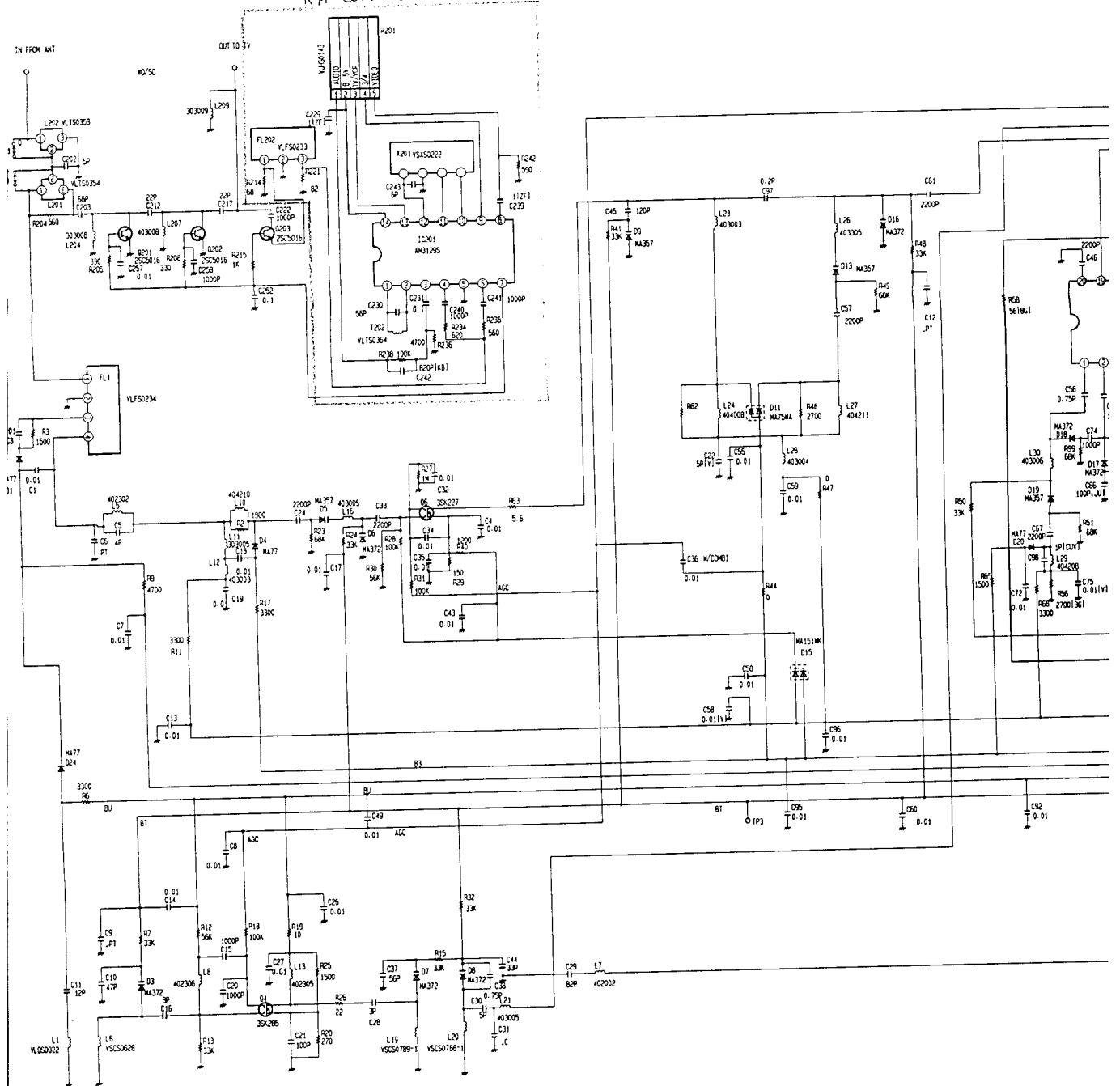


12021
AN5828 B



RF DEMODULATOR

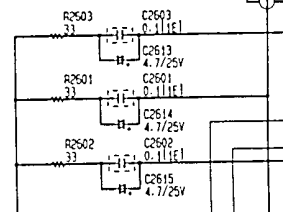
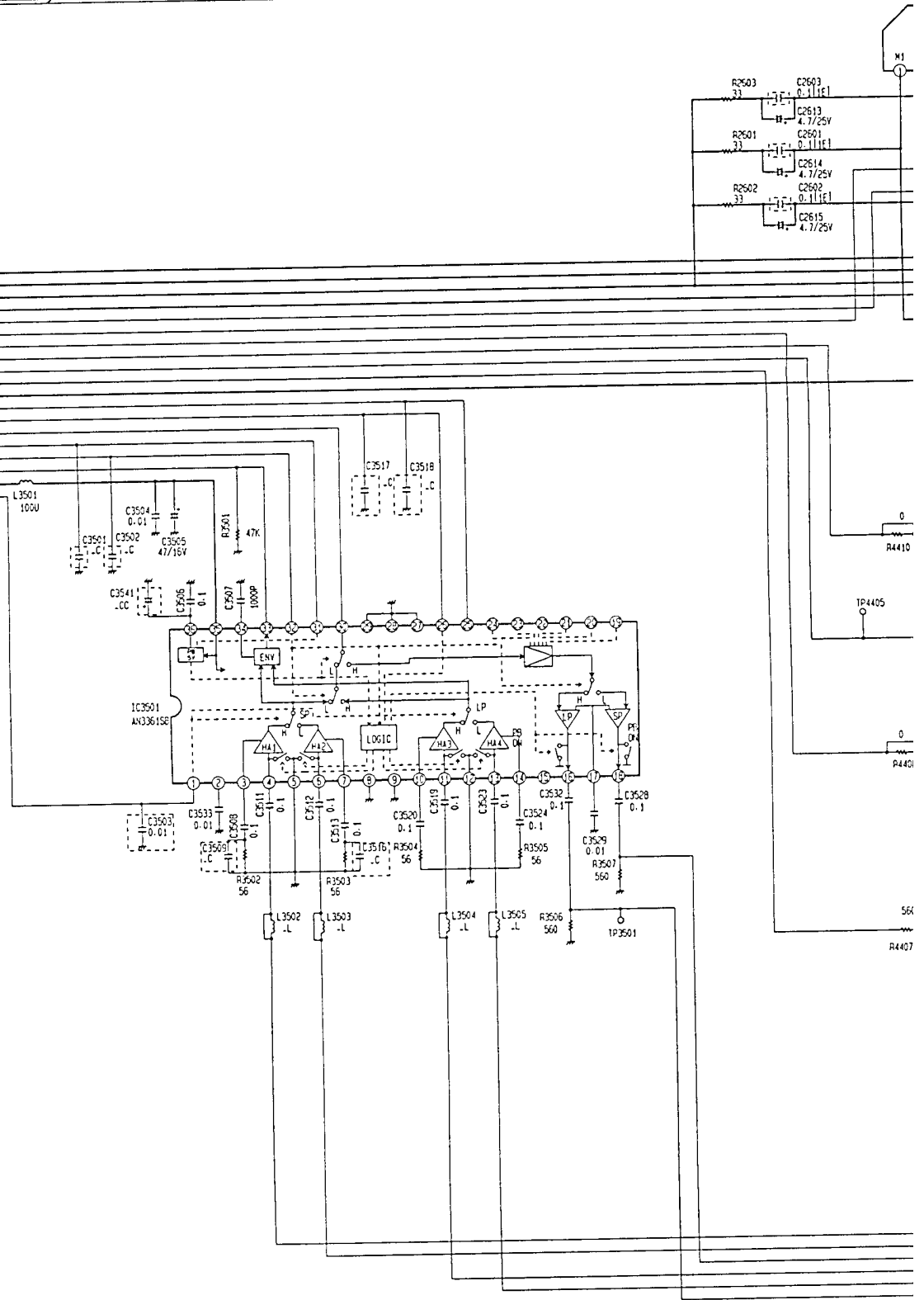
RF Converter Circuit



97HIFI 4HEAD AMP

P3501 VJSS0886

UNSK. 12V	4
SYSCDN.GND	5
POWER.GND	6
UNSK. 5V(S)	7
CYL.ET	3
CYL.PFG	1
HIFI1.D.REC.H	18
HIFI1.REC.FM	19
HIFI1.PB.FM	17
HIFI1.H.SW	20
UNSK. 5V(LV)	16
D.REC.H	15
C/D/ASS/2/L	13
REC/PB.FM/C	11
PLAY.L	12
HAS#	14
ENV.RET	10
SW. 12V	9
HS#	8
GND	2



56K
R4407

SPATIALIZER PACK

