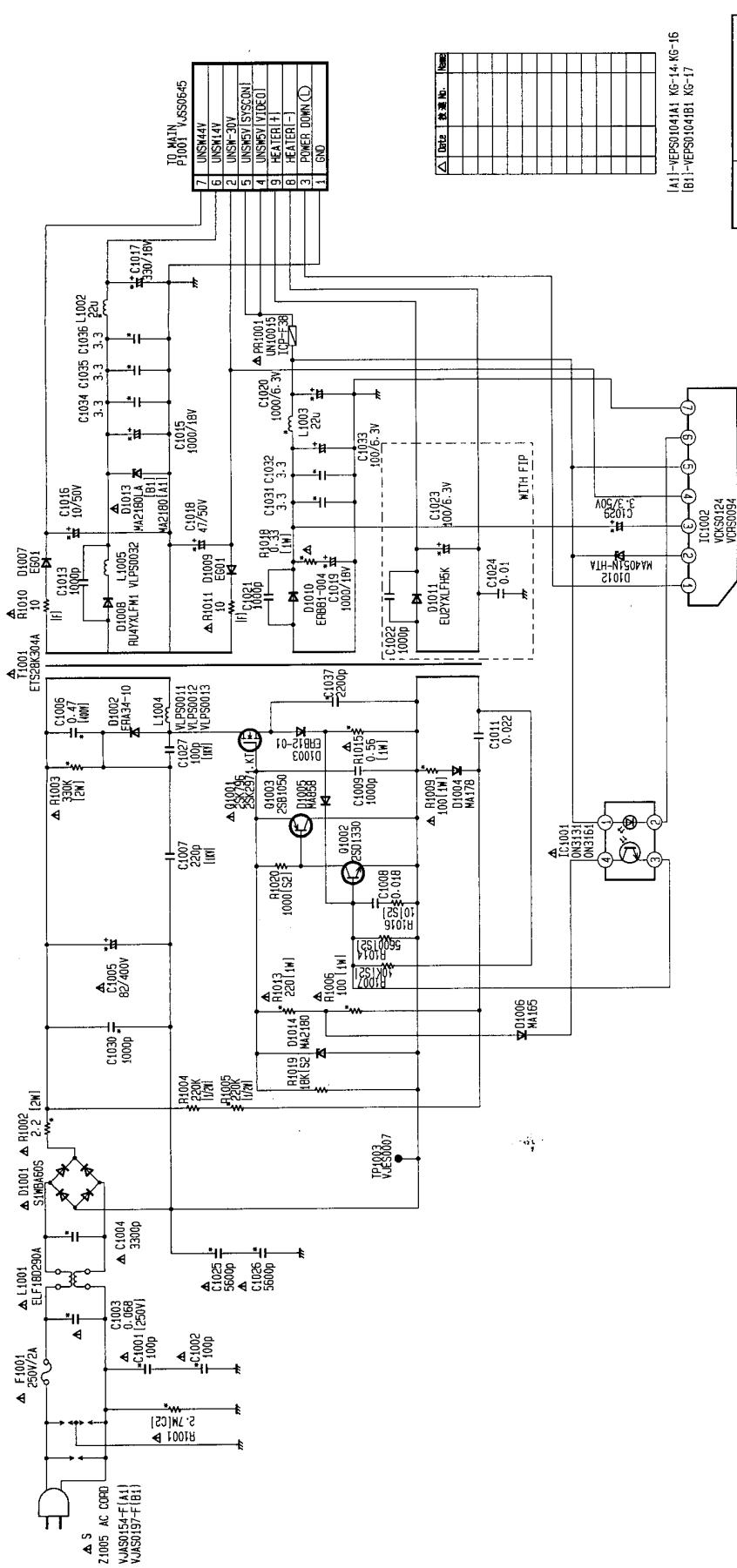


FCC/MELLON SEP 11 1998

MULTI(PX) SERIES POWER



7	TO MAIN
6	P1001 V.6S50645
5	UNSH.4H
4	UNSH.4H
3	UNSH.30V
2	UNSH.30V
1	UNSH.30V
0	UNSH.30V
9	UNSH.30V
8	HEATER I
7	HEATER I
6	HEATER I
5	HEATER I
4	HEATER I
3	POWER DOWN I
2	POWER DOWN I
1	POWER DOWN I
0	POWER DOWN I

Item	POWER PACK
Part No.	VPS01041**
Applicable Models	MULTI(PX) SERIES
Date of Issue	98-08-27 BY [Signature] H. YOSHIDA

(A1)-VPS01041A1 KG-14, KG-16
(B1)-VPS01041B1 KG-17

EXHIBIT # 2
FIG NO.
FCC ID: A192710 AUP
MODEL NO. MV-HE8860PX
OUR REF.: MKS98-F014