

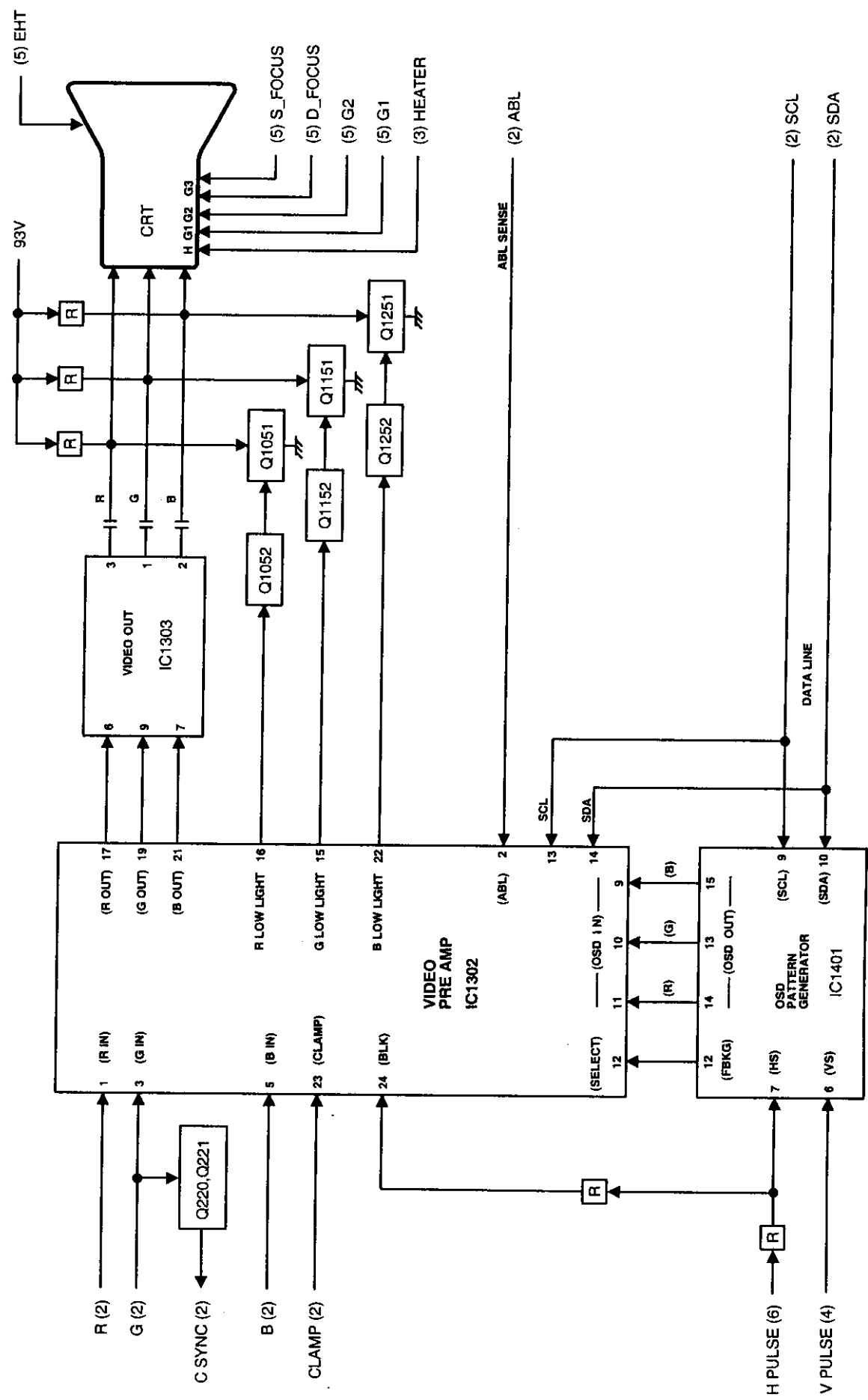
**EXHIBIT 4**

Block Diagram

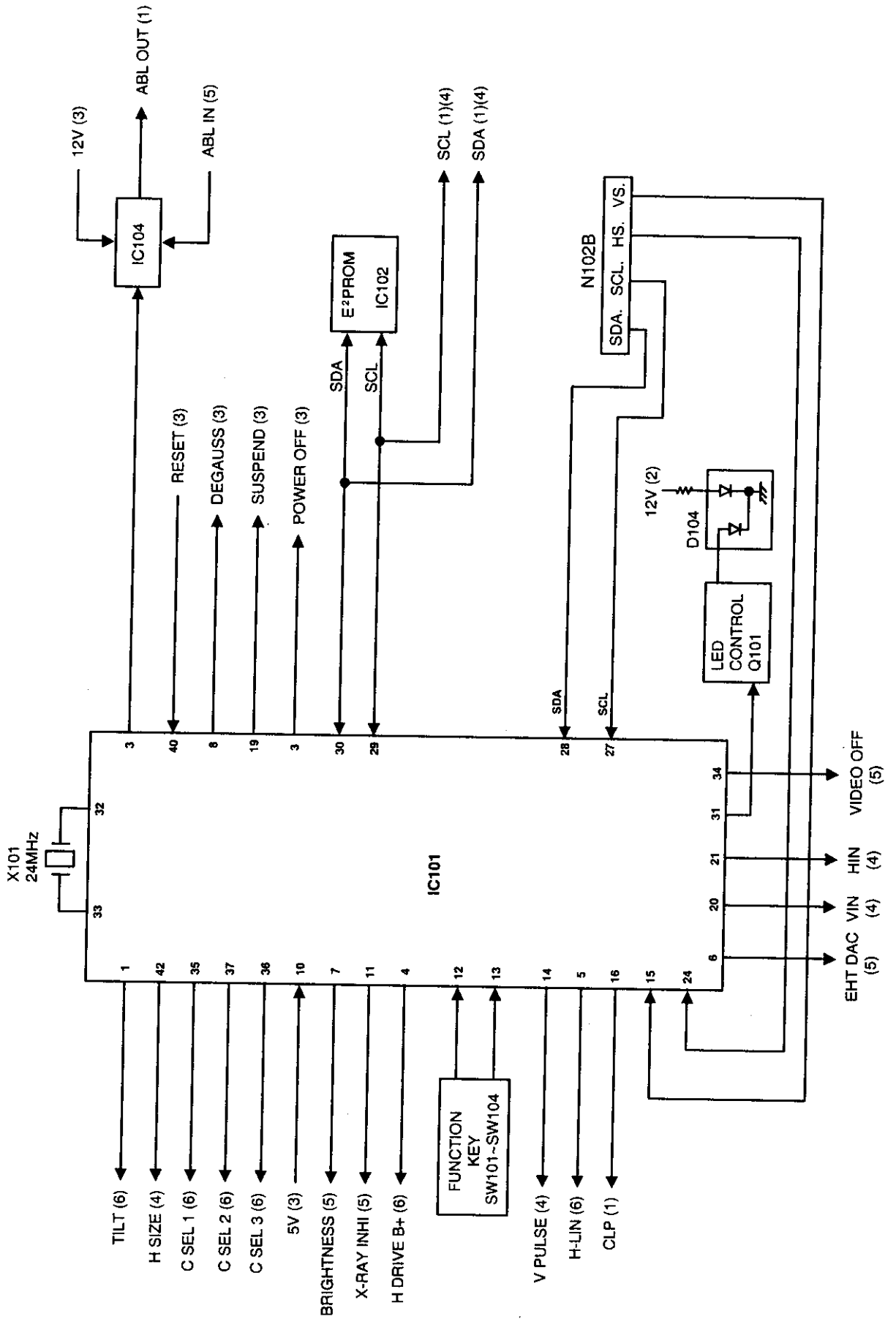
**BLOCK DIAGRAM**

**MODEL NO: TX-T7S37**

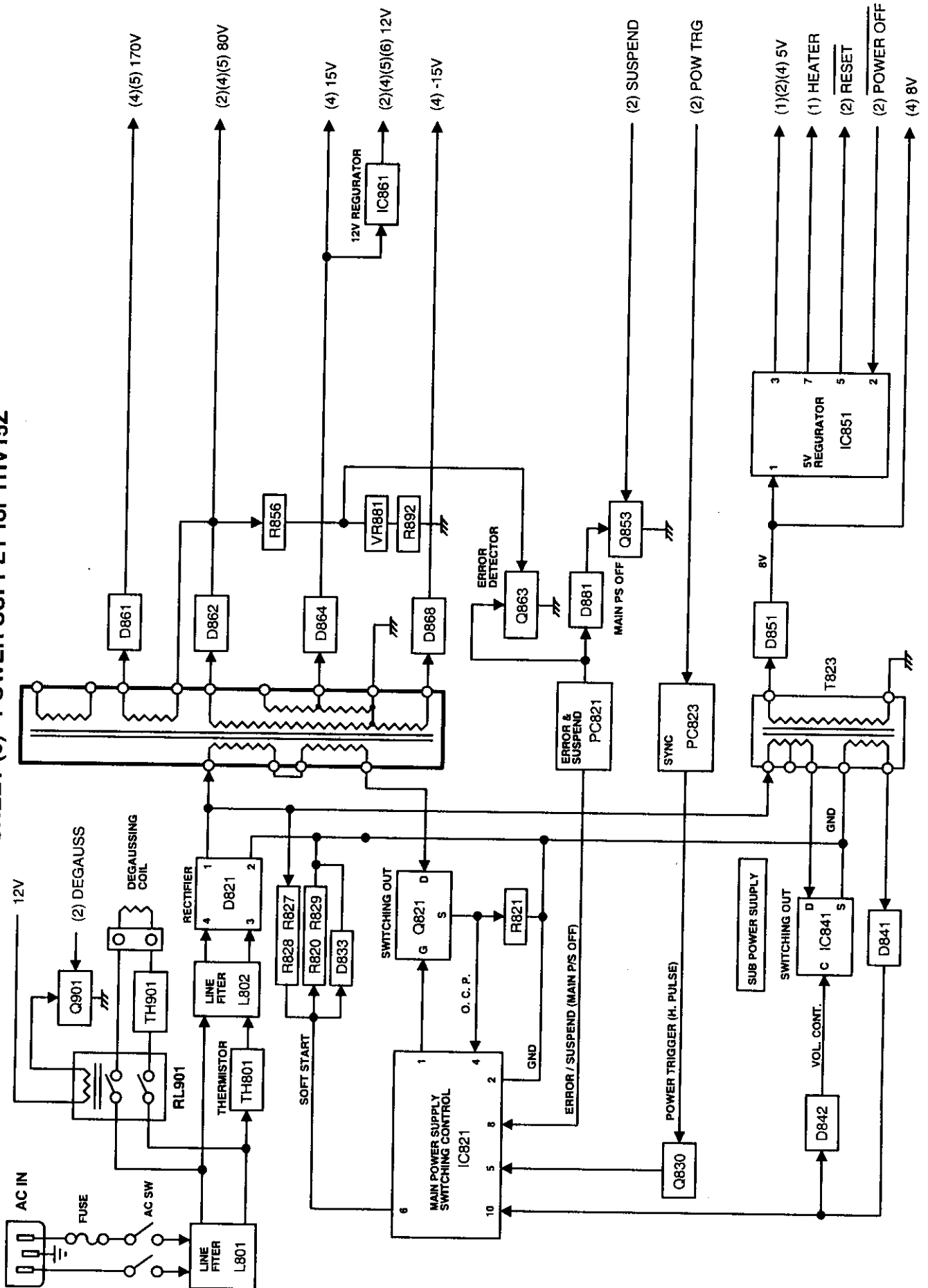
**SHEET (1) VIDEO AMP for THV15Z**



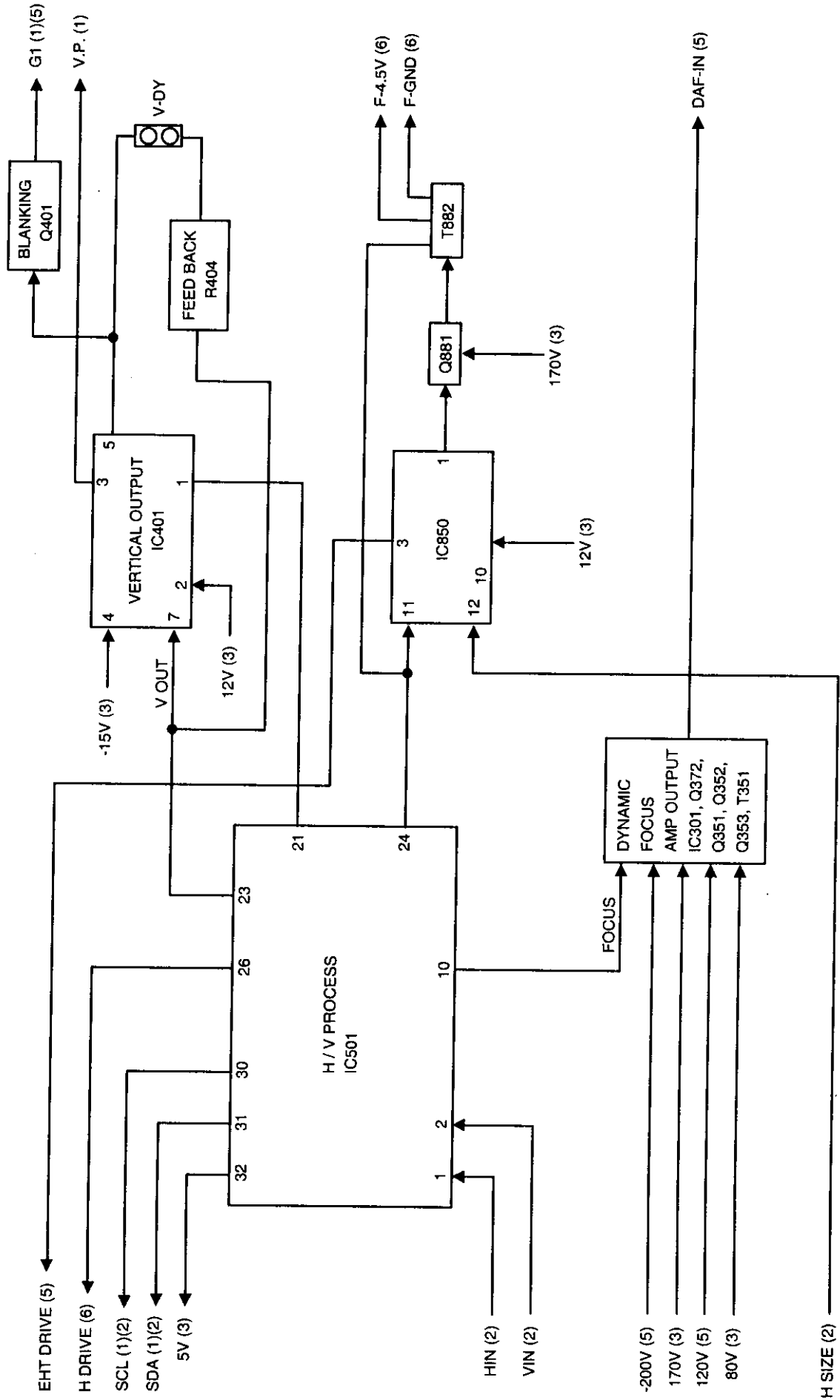
SHEET (2) MCU / BLOCK for THV15Z



SHEET (3) POWER SUPPLY for THV15Z



SHEET (4) H / V PROCESS / V. OUTPUT / DAF CIRCUIT / HOR. DEF for THV15Z



SHEET (5) EHT OUT for THV15Z

