

LD-00-F002 / FCC ID: ACJ4PKEFA14E28		
EFA14E28:	Warm	14W Globe CFL @ 60 kHz
EFA14E50:	Cool	14W Globe CFL @ 60 kHz
EFD14E28:	Warm	14W 3-Tube CFL @ 60 kHz
EFD14E50:	Cool	14W 3-Tube CFL @ 60 kHz

EXHIBIT #4-1

MODEL : EFD14E28
EFD14E50

Description of Self Ballasted Fluorescent Lamp

a. Ratings

MODEL	EFD14E28	EFD14E50
Input Voltage	120V a. c.	120V a. c.
Input Wattage	14.5 W	14.5 W
Oscillating frequency	60±10 kHz	60±10 kHz
RF power output	14 W	14 W
Luminous output	840 lm	800 lm
Color temperature	2800 K	5000 K

Notes : These lamps are provided with non-changeable discharge tube.

b. Block diagram

See Exhibit # 4-2

c. Circuit Diagram and parts list

See Exhibit # 4-3

d. Description of circuit

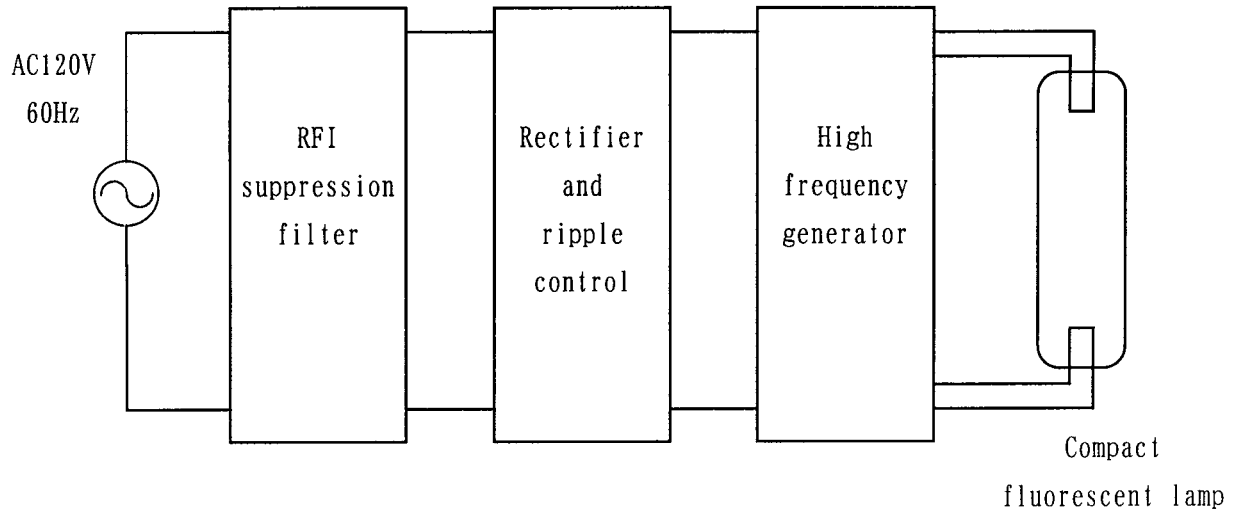
High (RF) frequency generator, consists of switching power transistor Q1 and Q2 with base drive circuit, supplies RF power to the compact fluorescent lamp (inner discharge tube).

RFI Voltage is suppressed by RFI suppression filter consist of C1 and NF.

LD-00-F002 / FCC ID: ACJ4PKEFA14E28			
EFA14E28:	Warm	14W Globe CFL	@ 60 kHz
EFA14E50:	Cool	14W Globe CFL	@ 60 kHz
EFD14E28:	Warm	14W 3-Tube CFL	@ 60 kHz
EFD14E50:	Cool	14W 3-Tube CFL	@ 60 kHz

EXHIBIT #4-2

MODEL : EFD14E28
EFD14E50



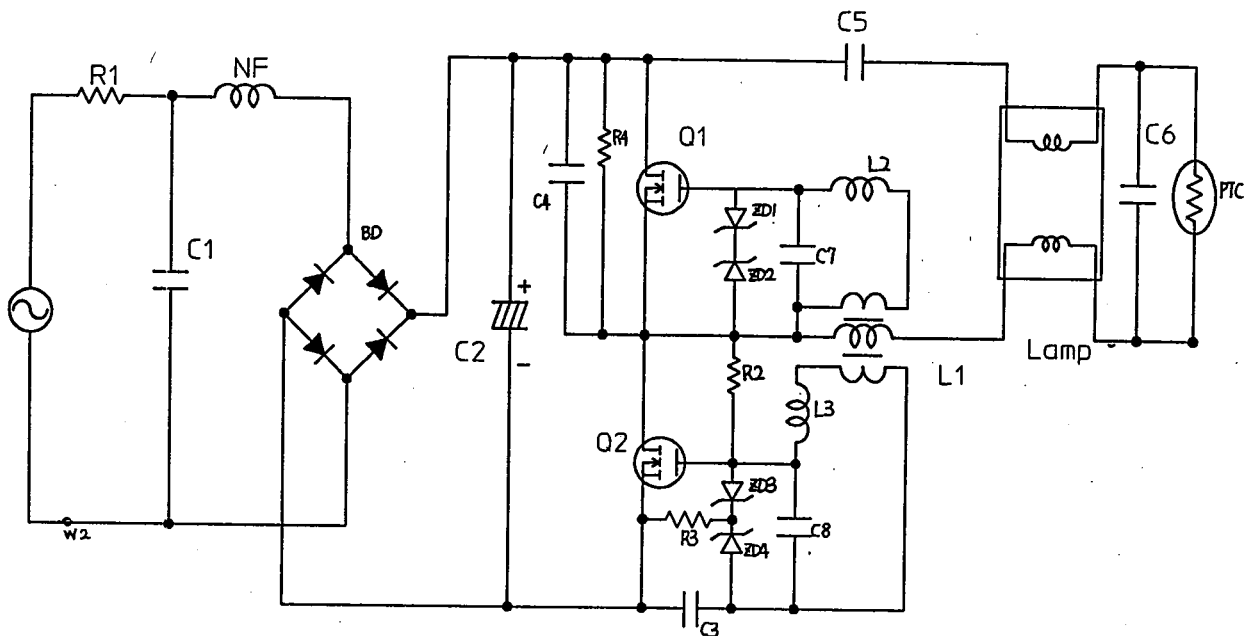
Block diagram

LD-00-F002 / FCC ID: ACJ4PKEFA14E28
 EFA14E28: Warm 14W Globe CFL @ 60 kHz
 EFA14E50: Cool 14W Globe CFL @ 60 kHz
 EFD14E28: Warm 14W 3-Tube CFL @ 60 kHz
 EFD14E50: Cool 14W 3-Tube CFL @ 60 kHz

EXHIBIT #4-3

MODEL : EFD14E28
 EFD14E50

Circuit diagram and parts list



Resistor	R1		Capacitor	C1	
	R2			C2	
	R3			C3	
	R4			C4	
Transistor	Q1			C5	
	Q2			C6	
				C7	
				C8	
			Diode	BD	
Inductor	NF				
	L1				
	L2				
	L3				