

LD-00-F002 / FCC ID: ACJ4PKEFA14E28			
EFA14E28:	Warm	14W Globe CFL	@ 60 kHz
EFA14E50:	Cool	14W Globe CFL	@ 60 kHz
EFD14E28:	Warm	14W 3-Tube CFL	@ 60 kHz
EFD14E50:	Cool	14W 3-Tube CFL	@ 60 kHz

EXHIBIT #4-1

MODEL : EFA14E28  
EFA14E50

Description of Self Ballasted Fluorescent Lamp

a. Ratings

MODEL	EFA14E28	EFA14E50
Input Voltage	120V a. c.	120V a. c.
Input Wattage	14.5 W	14.5 W
Oscillating frequency	60±10 kHz	60±10 kHz
RF power output	14 W	14 W
Luminous output	840 lm	800 lm
Color temperature	2800 K	5000 K

Notes : These lamps are provided with non-changeable discharge tube.

b. Block diagram

See Exhibit # 4-2

c. Circuit Diagram and parts list

See Exhibit # 4-3

d. Description of circuit

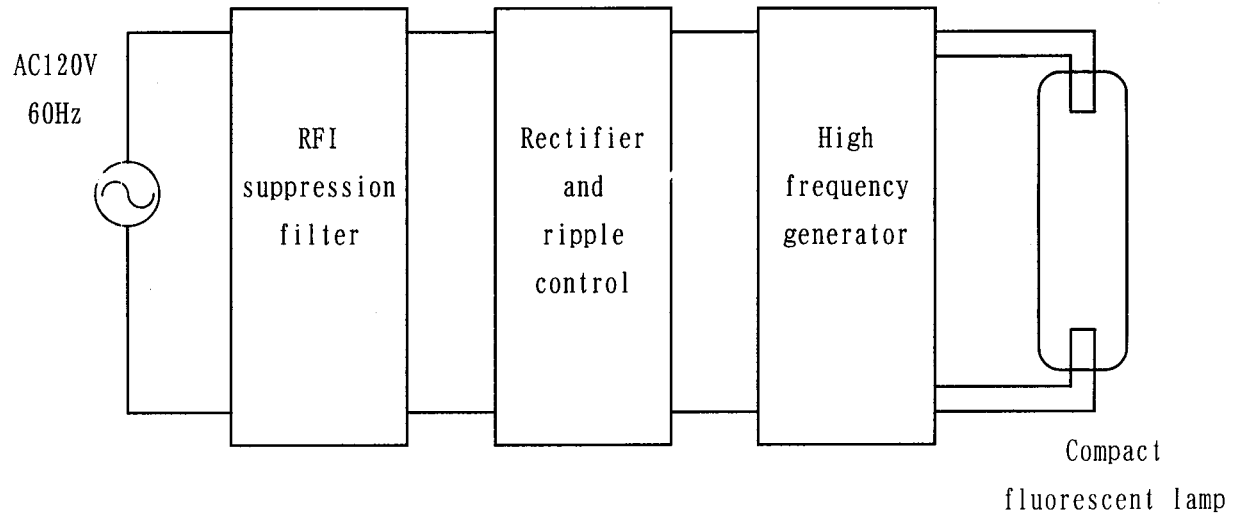
High (RF) frequency generator, consists of switching power transistor Q1 and Q2 with base drive circuit, supplies RF power to the compact fluorescent lamp (inner discharge tube).

RFI Voltage is suppressed by RFI suppression filter consist of C1 and NF.

LD-00-F002 / FCC ID: ACJ4PKEFA14E28  
EFA14E28: Warm 14W Globe CFL @ 60 kHz  
EFA14E50: Cool 14W Globe CFL @ 60 kHz  
EFD14E28: Warm 14W 3-Tube CFL @ 60 kHz  
EFD14E50: Cool 14W 3-Tube CFL @ 60 kHz

EXHIBIT #4-2

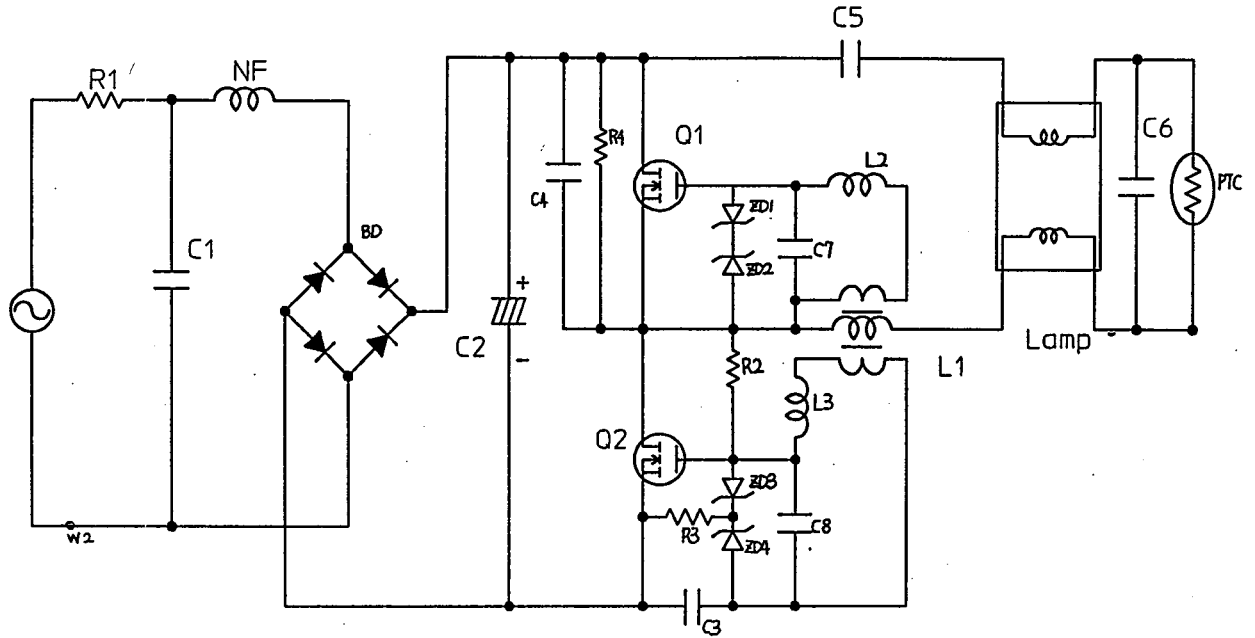
MODEL : EFA14E28  
EFA14E50



Block diagram

MODEL : EFA14E28  
 EFA14E50

Circuit diagram and parts list



Resistor	R1		Capacitor	C1	
	R2			C2	
	R3			C3	
	R4			C4	
Transistor	Q1		C5		
	Q2		C6		
			C7		
			C8		
			Diode	BD	
Inductor	NF				
	L1				
	L2				
	L3				