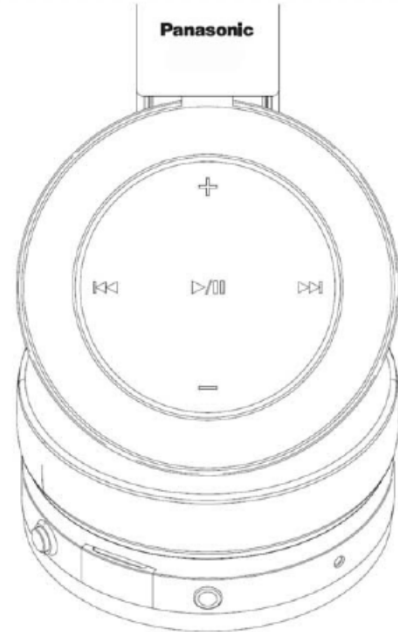
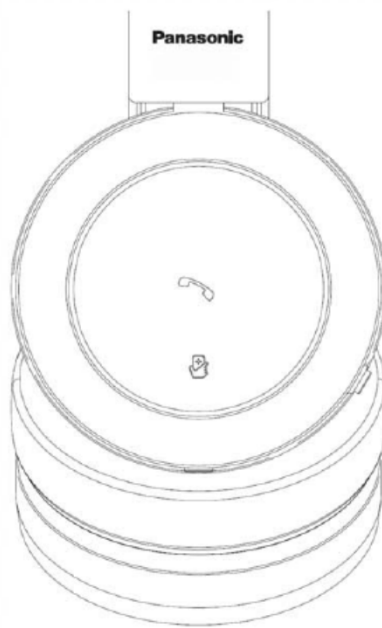
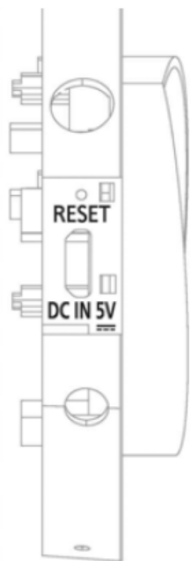


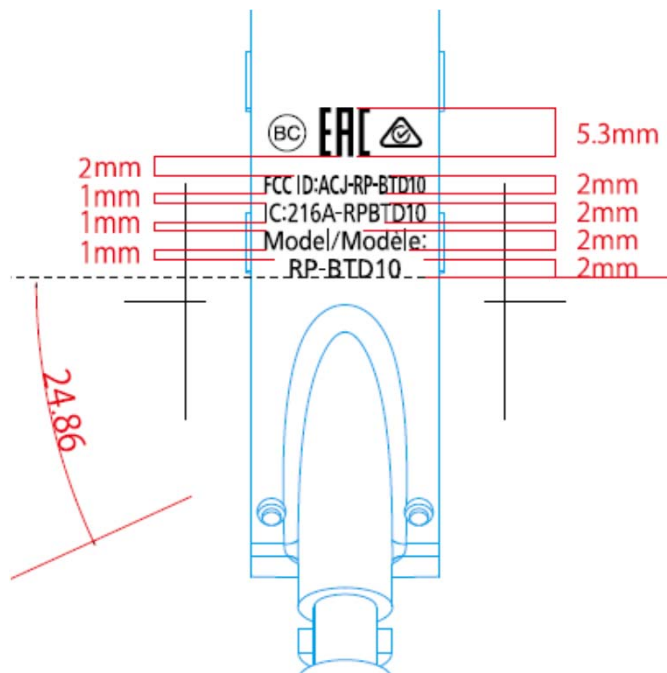
RP-BTD10 Indication

AVCACC

2014.2.04



Right Inside



Left Inside