

APPENDIX 3 : Test instruments

1. Equipment used

Control No.	Instrument	Manufacturer	Model No	Serial No	Test Item	Calibration Date * Interval(month)
MAT-23	Attenuator(10dB) DC-18GHz	Orient Microwave	BX10-0476-00	-	Power Measurement	2009/03/24 * 12
MPM-09	Power Meter	Anritsu	ML2495A	6K00003348	Power Measurement	2009/09/09 * 12
MPSE-12	Power sensor	Anritsu	MA2411B	011598	Power Measurement	2009/09/09 * 12
MOS-04	Digital Humidity Indicator	N.T	NT-1800	MOS04	Power Measurement	2009/02/04 * 12
MPM-01	Power Meter	Agilent	E4417A	GB41290639	SAR	2009/02/17 * 12
MPSE-01	Power Sensor	Agilent	E9300B	US40010300	SAR	2009/02/17 * 12
MPSE-03	Power sensor	Agilent	E9327A	US40440576	SAR	2009/02/17 * 12
MAT-15	Attenuator(30dB)	Agilent	8498A	US40010300	SAR	2009/02/24 * 12
MSG-10	Signal Generator	Agilent	N5181A	MY47421098	SAR	2009/06/30 * 12
MRFA-08	Pre Amplifier	TSJ	TCBP0206	-	SAR	2009/03/25 * 12
MHDC-12	Dual Directional Coupler	Hewlett Packard	772D	2839A0016	SAR	-
MNA-01	Network Analyzer	Agilent/HP	E8358A	US41080381	SAR	2009/08/28 * 12
MDPK-01	Dielectric probe kit	Agilent	85070D	-	SAR	Pre Check
MNCK-01	Type N Calibration Kit	Agilent	85032F	MY41495257	SAR	2009/08/28 * 12
MPB-03	Dosimetric E-Field Probe	Schmid&Partner Engineering AG	EX3DV3	3507	SAR	2009/02/12 * 12
MDAE-01	Data Acquisition Electronics	Schmid&Partner Engineering AG	DAE3 V1	509	SAR	2009/07/08* 12
COTS-MSTW-16	DASY4	Schmid&Partner Engineering AG	DASY4 V4.7 Build71	-	SAR	-
COTS-MSTW-17	S-Parameter Network Analyzer	Agilent	-	-	SAR	-
MDA-08	Dipole Antenna	Schmid&Partner Engineering AG	D5GHzV2	1020	SAR	2009/08/19 * 24
MPF-02	2mmOval Flat Phantom ERI 4.0	Schmid&Partner Engineering AG	QD VA 001B (ERI4.0)	1045	SAR	-
MOS-05	Thermo-Hygrometer	Custom	CTH-190	810201	SAR	2009/04/28 * 12
MOS-10	Digital thermometer	HANNA	Checktemp-2	MOS-10	SAR	2009/01/15 * 12
MBM-13	Barometer	Sunoh	SBR121	873	SAR	2007/12/27 * 36
Muscle 5800MHz					Daily check	Target value \pm 5 to 10%
SAR room					Daily check	Ambient Noise<0.012W/kg

The expiration date of the calibration is the end of the expired month.

As for some calibrations performed after the tested dates, those test equipment have been controlled by means of an unbroken chains of calibrations

UL Japan, Inc.

Head Office EMC Lab.

4383-326 Asama-cho, Ise-shi, Mie-ken 516-0021 JAPAN

Telephone : +81 596 24 8116

Facsimile : +81 596 24 8124

2. Dosimetry assessment setup

These measurements were performed with the automated near-field scanning system DASY4 from Schmid & Partner Engineering AG (SPEAG). The system is based on a high precision robot (working range greater than 0.9 m), which positions the probes with a positional repeatability of better than ± 0.02 mm. Special E- and H-field probes have been developed for measurements close to material discontinuity, the sensors of which are directly loaded with a Schottky diode and connected via highly resistive lines to the data acquisition unit. The SAR measurements were conducted with the dosimetry probe EX3DV3, SN: 3507(manufactured by SPEAG), designed in the classical triangular configuration and optimized for dosimetric evaluation. The probe has been calibrated according to the procedure described in [2] with accuracy of better than $\pm 10\%$. The spherical isotropy was evaluated with the procedure described in [3] and found to be better than ± 0.25 dB. The phantom used was the SAM Twin Phantom as described in FCC supplement C, IEEE P1528 and CENELEC EN50361.

UL Japan, Inc.

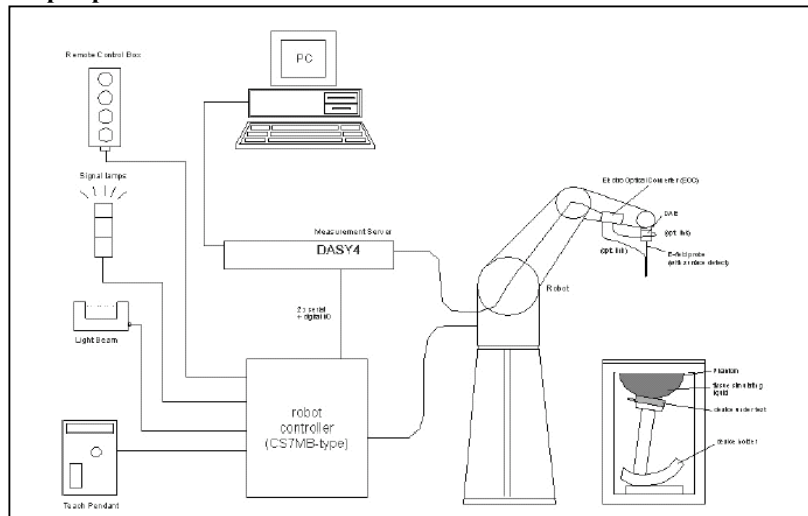
Head Office EMC Lab.

4383-326 Asama-cho, Ise-shi, Mie-ken 516-0021 JAPAN

Telephone : +81 596 24 8116

Facsimile : +81 596 24 8124

3. Configuration and peripherals



The DASYS4 system for performing compliance tests consist of the following items:

1. A standard high precision 6-axis robot (Stäubli RX family) with controller and software.
An arm extension for accommodating the data acquisition electronics (DAE).
2. A dosimetric probe, i.e., an isotropic E-field probe optimized and calibrated for usage in tissue simulating liquid. The probe is equipped with an optical surface detector system.
3. A data acquisition electronic (DAE), which performs the signal amplification, signal multiplexing, AD-conversion, offset measurements, mechanical surface detection, collision detection, etc. The unit is battery powered with standard or rechargeable batteries. The signal is optically transmitted to the EOC.
4. The Electro-optical converter (EOC) performs the conversion between optical and electrical of the signals for the digital communication to the DAE and for the analog signal from the optical surface detection.
The EOC is connected to the measurement server.
5. The function of the measurement server is to perform the time critical tasks such as signal filtering, control of the robot operation and fast movement interrupts.
6. A probe alignment unit which improves the (absolute) accuracy of the probe positioning.
7. A computer operating Windows 2000.
8. DASYS4 software.
9. Remote control with teaches pendant and additional circuitry for robot safety such as warning lamps, etc.
10. The 2mm Flat phantom ERI4.0
11. The device holder for handheld mobile phones.
12. Tissue simulating liquid mixed according to the given recipes.
13. Validation dipole kits allowing to validate the proper functioning of the system.

UL Japan, Inc.

Head Office EMC Lab.

4383-326 Asama-cho, Ise-shi, Mie-ken 516-0021 JAPAN

Telephone : +81 596 24 8116

Facsimile : +81 596 24 8124

4. System components

EX3DV3 Probe Specification

Construction:

Symmetrical design with triangular core
Built-in shielding against static charges
PEEK enclosure material (resistant to organic solvents, e.g., glycol ether)

Calibration:

Basic Broad Band calibration in air : 10-3000 MHz
Conversion Factors (Head and Body):

Frequency:

10 MHz to > 6GHz; Linearity: +/-0.2 dB(30 MHz to 3 GHz)

Directivity:

+/-0.3 dB in HSL (rotation around probe axis)
+/-0.5 dB in tissue material (rotation normal probe axis)

Dynamic Range:

10uW/g to > 100 mW/g; Linearity: +/-0.2 dB(noise: typically < 1uW/g)

Dimensions:

Overall length: 330 mm (Tip: 20 mm)
Tip diameter: 2.5mm (Body: 12 mm)
Typical distance from probe tip to dipole centers: 1 mm

Application:

Highprecision dosimetric measurement in any exposure scenario
(e.g., very strong gradient fields). Only probe which enables compliance
testing for frequencies up to 6GHz with precision of better 30%.



EX3DV3 E-field Probe

UL Japan, Inc.

Head Office EMC Lab.

4383-326 Asama-cho, Ise-shi, Mie-ken 516-0021 JAPAN

Telephone : +81 596 24 8116

Facsimile : +81 596 24 8124

2mm Flat phantom ERI4.0

Description

Phantom for compliance testing of handheld and body-mounted wireless devices in the frequency range of 30 MHz to 6 GHz. ELI4 is fully compatible with the latest draft of the standard IEC 62209 Part II and all known tissue simulating liquids. ELI4 has been optimized regarding its performance and can be integrated into our standard phantom tables. A cover prevents evaporation of the liquid. Reference markings on the phantom allow installation of the complete setup, including all predefined phantom positions and measurement grids, by teaching three points. The phantom is supported by software version DASY4.5 and higher and is compatible with all SPEAG dosimetric probes and dipoles.

Shell Thickness

2.0 ± 0.2 mm (sagging: <1%)

Filling Volume

approx. 30 liters

Dimensions

Major ellipse axis: 600 mm

Minor axis: 400 mm

Compatibilities

- Standard: IEC 62209 Part II (Draft 0.9 and higher)
- Software release: DASY 4.5 or higher
- SPEAG standard phantom table
- all SPEAG dosimetric probes and dipoles

Device Holder

For this measurement, the urethane foam was used as device holder.

UL Japan, Inc.

Head Office EMC Lab.

4383-326 Asama-cho, Ise-shi, Mie-ken 516-0021 JAPAN

Telephone : +81 596 24 8116

Facsimile : +81 596 24 8124

5. Test system specifications

Robot RX60L

Number of Axes	:	6
Payload	:	1.6 kg
Reach	:	800mm
Repeatability	:	+/-0.025mm
Control Unit	:	CS7M
Programming Language	:	V+
Manufacture	:	Stäubli Unimation Corp. Robot Model: RX60

DASY4 Measurement server

Features	:	166MHz low power Pentium MMX 32MB chipdisk and 64MB RAM Serial link to DAE (with watchdog supervision) 16 Bit A/D converter for surface detection system Two serial links to robot (one for real-time communication which is supervised by watchdog) Ethernet link to PC (with watchdog supervision) Emergency stop relay for robot safety chain Two expansion slots for future applications
Manufacture	:	Schimid & Partner Engineering AG

Data Acquisition Electronic (DAE)

Features	:	Signal amplifier, multiplexer, A/D converter and control logic Serial optical link for communication with DASY4 embedded system (fully remote controlled) 2 step probe touch detector for mechanical surface detection and emergency robot stop (not in -R version)
Measurement Range	:	1 μ V to > 200 mV (16 bit resolution and two range settings: 4mV, 400mV)
Input Offset voltage	:	< 1 μ V (with auto zero)
Input Resistance	:	200 M Ω
Battery Power	:	> 10 h of operation (with two 9 V battery)
Dimension	:	60 x 60 x 68 mm
Manufacture	:	Schimid & Partner Engineering AG

Software

Item	:	Dosimetric Assesment System DASY4
Type No.	:	SD 000 401A, SD 000 402A
Software version No.	:	DASY4 V4.7 Build71
Manufacture / Origin	:	Schimid & Partner Engineering AG

E-Field Probe

Model	:	EX3DV3
Serial No.	:	3507
Construction	:	Symmetrical design with triangular core
Frequency	:	10 MHz to 6 GHz
Linearity	:	+/-0.2 dB (30 MHz to 3 GHz)
Manufacture	:	Schimid & Partner Engineering AG

Phantom

Type	:	2mm
Shell Thickness	:	2.0 \pm 0.2 mm (sagging: <1%)
Filling Volume	:	approx. 30 liters
Dimensions	:	Major ellipse axis: 600 mm Minor axis: 400 mm
Manufacture	:	Schimid & Partner Engineering AG

UL Japan, Inc.

Head Office EMC Lab.

4383-326 Asama-cho, Ise-shi, Mie-ken 516-0021 JAPAN

Telephone : +81 596 24 8116

Facsimile : +81 596 24 8124

6. Simulated Tissues Composition (5GHz)

Ingredient	MiXTURE(%)
	Muscle 5800MHz
Water	78.0
Mineral Oil	11.0
Emulsifiers	9.0
Additives and salt	2.0

7. Simulated Tissue Liquid Parameter confirmation (5GHz)

The dielectric parameters were checked prior to assessment using the HP85070D dielectric probe kit.
The dielectric parameters measurement are reported in each correspondent section.

7-a Muscle 5GHz

Type of liquid : Muscle 5GHz
Ambient temperature (deg.c.) : 24.4(19-Oct), 24.3(20-Oct), 24.5(23-Oct, 5-Nov, 6-Nov), 24.6(26-Oct)
Relative Humidity (%) : 43(19-Oct), 42(20-Oct), 41(23-Oct), 40(26-Oct), 36(5-Nov), 38(6-Nov)
Liquid depth (cm) : 15.0

The dielectric parameters (permittivity) were expanded to variation of $\pm 10\%$ from the target value.

DIELECTRIC PARAMETERS MEASUREMENT RESULTS								
Date	Frequency [MHz]	Liquid Temp [deg.c]		Parameters	Target Value*1	Measured	Deviation [%]	Limit [%]
		Before	After					
23-Oct	5200	23.5	23.5	Relative Permittivity ϵ_r	49.0	45.9	-6.3	+/-10
				Coductivity σ [mho/m]	5.30	5.56	4.9	+/-5
26-Oct	5200	23.6	23.6	Relative Permittivity ϵ_r	49.0	46.0	-6.1	+/-10
				Coductivity σ [mho/m]	5.30	5.58	5.3	+/-5
5-Nov	5200	23.5	23.5	Relative Permittivity ϵ_r	49.0	45.8	-6.5	+/-10
				Coductivity σ [mho/m]	5.30	5.58	5.3	+/-5
23-Oct	5300	23.5	23.5	Relative Permittivity ϵ_r	48.9	45.7	-6.5	+/-10
				Coductivity σ [mho/m]	5.42	5.60	3.3	+/-5
26-Oct	5300	23.6	23.6	Relative Permittivity ϵ_r	48.9	45.8	-6.3	+/-10
				Coductivity σ [mho/m]	5.42	5.61	3.5	+/-5
19-Oct	5800	23.4	23.4	Relative Permittivity ϵ_r	48.2	45.6	-5.4	+/-10
				Coductivity σ [mho/m]	6.00	6.23	3.8	+/-5
20-Oct	5800	23.3	23.3	Relative Permittivity ϵ_r	48.2	43.8	-9.1	+/-10
				Coductivity σ [mho/m]	6.00	6.16	2.7	+/-5
6-Nov	5800	23.5	23.5	Relative Permittivity ϵ_r	48.2	44.1	-8.5	+/-10
				Coductivity σ [mho/m]	6.00	6.21	3.5	+/-5

*1 The target values are a parameter defined in FCC OET 65.

UL Japan, Inc.

Head Office EMC Lab.

4383-326 Asama-cho, Ise-shi, Mie-ken 516-0021 JAPAN

Telephone : +81 596 24 8116

Facsimile : +81 596 24 8124

DIELECTRIC PARAMETERS MEASUREMENT RESULTS								
Date	Frequency [MHz]	Liquid Temp [deg.c]		Parameters	Target Value*2	Measured	Deviation [%]	Limit [%]
		Before	After					
23-Oct	5200	23.5	23.5	Relative Permittivity ϵ_r	48.2	45.9	-4.8	+/-10
				Coductivity σ [mho/m]	5.43	5.56	2.4	+/-10
26-Oct	5200	23.6	23.6	Relative Permittivity ϵ_r	48.2	46.0	-4.6	+/-10
				Coductivity σ [mho/m]	5.43	5.58	2.8	+/-10
5-Nov	5200	23.5	23.5	Relative Permittivity ϵ_r	48.2	45.8	-5.0	+/-10
				Coductivity σ [mho/m]	5.43	5.58	2.8	+/-10
19-Oct	5800	23.4	23.4	Relative Permittivity ϵ_r	46.9	45.6	-2.8	+/-10
				Coductivity σ [mho/m]	6.17	6.23	1.0	+/-10
20-Oct	5800	23.3	23.3	Relative Permittivity ϵ_r	46.9	43.8	-6.6	+/-10
				Coductivity σ [mho/m]	6.17	6.16	-0.2	+/-10
6-Nov	5800	23.5	23.5	Relative Permittivity ϵ_r	46.9	44.1	-6.0	+/-10
				Coductivity σ [mho/m]	6.17	6.21	0.6	+/-10

*2 The target values are the calibrated dipole MSL parameters. (D5GHzV2 SN:1020)

7-c Decision on Simulated Tissues of 5200MHz

In the current standards (e.g., IEEE P1528, OET 65 Supplement C), the dielectric parameters suggested for head and body tissue simulating liquid are given at 3000MHz and 5800MHz. As an intermediate solution, dielectric parameters for the frequencies between 5000to 5800 MHz were obtained using linear interpolation. Therefore the dielectric parameters of 5200MHz,5300MHz were decided as following.

f (MHz)	Head Tissue		Body Tissue		Reference
	r	[mho/m]	r	[mho/m]	
3000	38.5	2.40	52.0	2.73	Standard
5800	35.3	5.27	48.2	6.00	Standard
5000	36.2	4.45	49.3	5.07	Interpolated
5100	36.1	4.55	49.1	5.18	Interpolated
5200	36.0	4.66	49.0	5.30	Interpolated
5300	35.9	4.76	48.9	5.42	Interpolated
5400	35.8	4.86	48.7	5.53	Interpolated
5500	35.6	4.96	48.6	5.65	Interpolated
5600	35.5	5.07	48.5	5.77	Interpolated
5700	35.4	5.17	48.3	5.88	Interpolated

Standard and interpolated dielectric parameters for head and body tissue simulating liquid in the frequency range 3000 to 5800MHz.

UL Japan, Inc.

Head Office EMC Lab.

4383-326 Asama-cho, Ise-shi, Mie-ken 516-0021 JAPAN

Telephone : +81 596 24 8116

Facsimile : +81 596 24 8124

8. System validation data(5GHz)

Prior to the assessment, the system validation kit was used to test whether the system was operating within its specifications of +/-10%. The validation results are in the table below. Please refer to 10. Validation Measurement data.

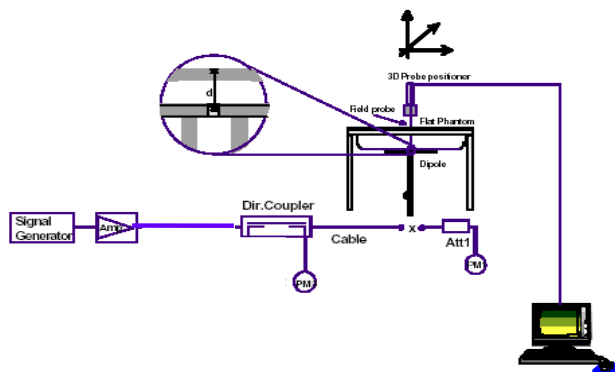
8-a BODY System validation of 5GHz

Type of liquid : Muscle 5GHz
Ambient temperature (deg.c.) : 24.4(19-Oct), 24.3(20-Oct), 24.5(23-Oct, 5-Nov, 6-Nov), 24.6(26-Oct)
Relative Humidity (%) : 43(19-Oct), 42(20-Oct), 41(23-Oct), 40(26-Oct), 36(5-Nov), 38(6-Nov)
Dipole : D5GHzV2 SN:1020
Power : 100mW

SYSTEM PERFORMANCE CHECK												
Liquid (Muscle 5100-5800 MHz)								System dipole validation target & measured				
Date	Frequency	Liquid Temp [deg.c.]		Relative Permittivity ϵ_r		Conductivity σ [mho/m]		SAR 1g [W/kg]		Deviation [%]	Limit [%]	
		Before	After	Target*1	Measured	Target*1	Measured	Target*2	Measured			
23-Oct	5200	23.5	23.5	48.2	45.9	5.43	5.56	7.75	8.46	9.2	+/-10	
26-Oct	5200	23.6	23.6	48.2	46.0	5.43	5.58	7.75	8.52	9.9	+/-10	
5-Nov	5200	23.5	23.5	48.2	45.8	5.43	5.58	7.75	8.34	7.6	+/-10	
19-Oct	5800	23.4	23.4	46.9	45.6	6.17	6.23	7.13	7.65	7.3	+/-10	
20-Oct	5800	23.3	23.3	46.9	43.8	6.17	6.16	7.13	7.70	8.0	+/-10	
6-Nov	5800	23.5	23.5	46.9	44.1	6.17	6.21	7.13	7.80	9.4	+/-10	

*1 The target values are the calibrated dipole MSL parameters. (D5GHzV2 SN:1020)
*2 The target value is a parameter defined in calibration data of Dipole antenna (D5GHzV2 SN:1020)

Note: Please refer to Attachment for the result representation in plot forma



Test system for the system performance check setup diagram

9. Validation uncertainty

The uncertainty budget has been determined for the DASY4 measurement system according to the SPEAG documents[6][7] and is given in the following Table.

Error Description	Uncertainty value \pm %	Probability distribution	divisor	(ci) 1g	Standard Uncertainty (1g)	vi or veff
Measurement System						
Probe calibration	± 6.8	Normal	1	1	± 6.8	∞
Axial isotropy of the probe	± 4.7	Rectangular	$\sqrt{3}$	1	± 2.7	∞
Spherical isotropy of the probe	± 9.6	Rectangular	0	0	0	∞
Boundary effects	± 2.0	Rectangular	$\sqrt{3}$	1	± 1.2	∞
Probe linearity	± 4.7	Rectangular	$\sqrt{3}$	1	± 2.7	∞
Detection limit	± 1.0	Rectangular	$\sqrt{3}$	1	± 0.6	∞
Readout electronics	± 0.3	Normal	1	1	± 0.3	∞
Response time	0	Rectangular	$\sqrt{3}$	1	0	∞
Integration time	0	Rectangular	$\sqrt{3}$	1	0	∞
RF ambient Noise	± 3.0	Rectangular	$\sqrt{3}$	1	± 1.7	∞
RF ambient Reflections	± 3.0	Rectangular	$\sqrt{3}$	1	± 1.7	∞
Probe Positioner	± 0.8	Rectangular	$\sqrt{3}$	1	± 0.5	∞
Probe positioning	± 9.9	Rectangular	1	1	± 5.7	∞
Algorithms for Max.SAR Eval.	± 4.0	Rectangular	$\sqrt{3}$	1	± 2.3	∞
Dipole						
Dipole Axis to Liquid Distance	± 2.0	Rectangular	$\sqrt{3}$	1	± 1.2	∞
Input power and SAR drift meas.	± 4.7	Rectangular	$\sqrt{3}$	1	± 2.7	∞
Phantom and Setup						
Phantom uncertainty	± 4.0	Rectangular	$\sqrt{3}$	1	± 2.3	∞
Liquid conductivity (target)	± 5.0	Rectangular	$\sqrt{3}$	0.64	± 1.8	∞
Liquid conductivity (meas.)	± 5.0	Rectangular	1	0.64	± 3.2	∞
Liquid permittivity (target)	± 10.0	Rectangular	$\sqrt{3}$	0.6	± 3.4	∞
Liquid permittivity (meas.)	± 10.0	Rectangular	1	0.6	± 6.0	∞
Combined Standard Uncertainty						
					± 13.48	
Expanded Uncertainty (k=2)						
					± 27.0	

UL Japan, Inc.

Head Office EMC Lab.

4383-326 Asama-cho, Ise-shi, Mie-ken 516-0021 JAPAN

Telephone : +81 596 24 8116

Facsimile : +81 596 24 8124

10. Validation Measurement data (5GHz)

BODY 5200MHz System Validation / Dipole 5GHz / Forward Conducted Power : 100mW

Crest factor: 1
Medium: M5200 Medium parameters used: $f = 5200 \text{ MHz}$; $\sigma = 5.56 \text{ mho/m}$; $\epsilon_r = 45.9$; $\rho = 1000 \text{ kg/m}^3$
Phantom section: Flat Section
DASY4 Configuration:
- Probe: EX3DV3 - SN3507; ConvF(4.58, 4.58, 4.58); Calibrated: 2009/02/12
- Sensor-Surface: 2mm (Mechanical Surface Detection)
- Phantom: Flat Phantom ELI4.0
- Measurement SW: DASY4, V4.7 Build 71; Postprocessing SW: SEMCAD, V1.8 Build 184

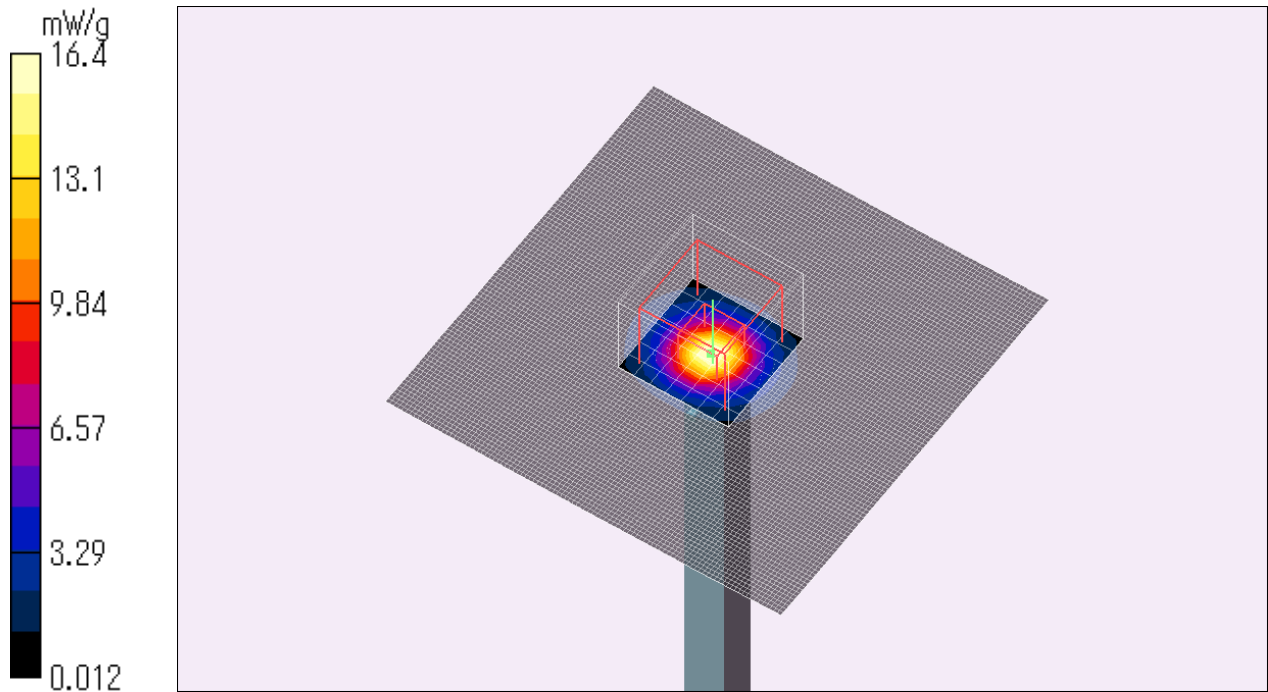
Area Scan (101x101x1): Measurement grid: $dx=10\text{mm}$, $dy=10\text{mm}$
Maximum value of SAR (interpolated) = 17.5 mW/g

Zoom Scan (8x8x10)/Cube 0: Measurement grid: $dx=4\text{mm}$, $dy=4\text{mm}$, $dz=2.5\text{mm}$
Reference Value = 61.0 V/m; Power Drift = -0.006 dB
Peak SAR (extrapolated) = 31.3 W/kg

SAR(1 g) = 8.46 mW/g; SAR(10 g) = 2.41 mW/g

Maximum value of SAR (measured) = 16.4 mW/g

Test Date = 10/23/09
Ambient Temperature = 24.5 degree.c
Liquid Temperature = Before 23.5degree.C , After 23.5 degree.C



BODY 5200MHz System Validation / Dipole 5GHz / Forward Conducted Power : 100mW

Crest factor: 1

Medium: M5200 Medium parameters used: $f = 5200$ MHz; $\sigma = 5.58$ mho/m; $\epsilon_r = 46$; $\rho = 1000$ kg/m³

Phantom section: Flat Section

DASY4 Configuration:

- Probe: EX3DV3 - SN3507; ConvF(4.58, 4.58, 4.58); Calibrated: 2009/02/12
- Sensor-Surface: 2mm (Mechanical Surface Detection)
- Phantom: Flat Phantom ELI4.0
- Measurement SW: DASY4, V4.7 Build 71; Postprocessing SW: SEMCAD, V1.8 Build 184

Area Scan (101x101x1): Measurement grid: dx=10mm, dy=10mm

Maximum value of SAR (interpolated) = 18.0 mW/g

Zoom Scan (8x8x10)/Cube 0: Measurement grid: dx=4mm, dy=4mm, dz=2.5mm

Reference Value = 61.6 V/m; Power Drift = -0.091 dB

Peak SAR (extrapolated) = 31.3 W/kg

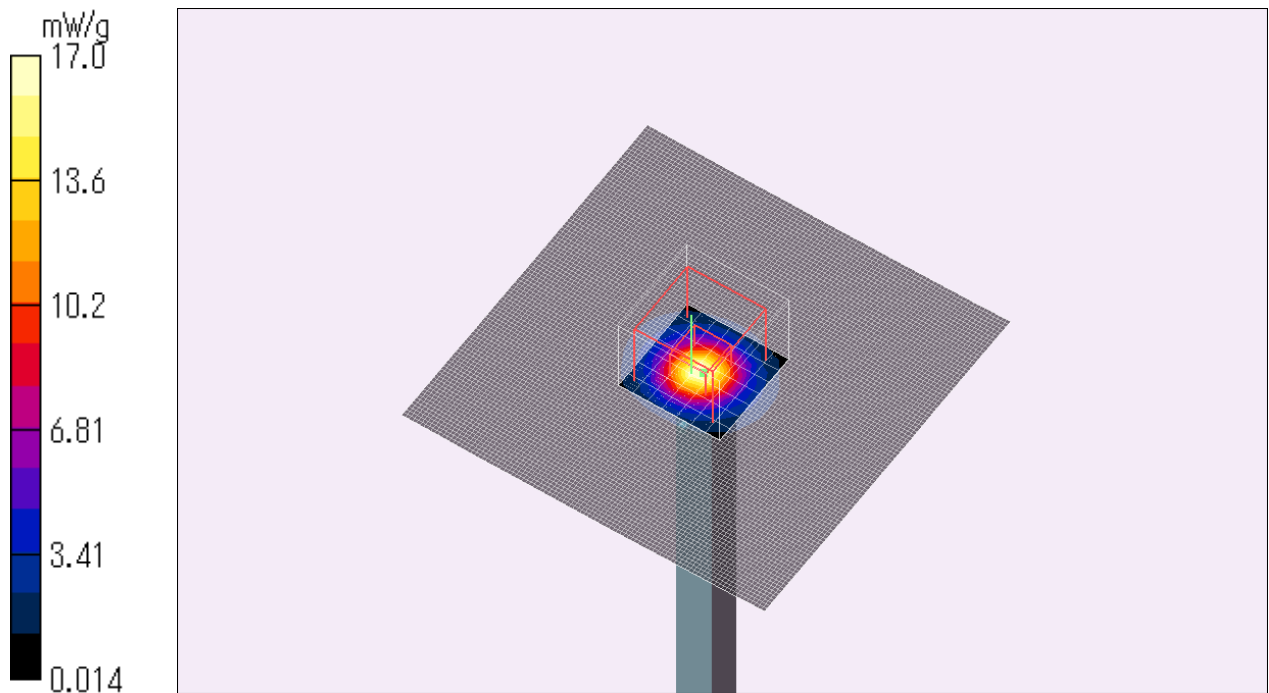
SAR(1 g) = 8.52 mW/g; SAR(10 g) = 2.43 mW/g

Maximum value of SAR (measured) = 17.0 mW/g

Test Date = 10/26/09

Ambient Temperature = 24.6 degree.c

Liquid Temperature = Before 23.6degree.C , After 23.6 degree.C



UL Japan, Inc.

Head Office EMC Lab.

4383-326 Asama-cho, Ise-shi, Mie-ken 516-0021 JAPAN

Telephone : +81 596 24 8116

Facsimile : +81 596 24 8124

BODY 5200MHz System Validation / Dipole 5GHz / Forward Conducted Power : 100mW

Crest factor: 1

Medium: M5800 Medium parameters used: $f = 5200$ MHz; $\sigma = 5.58$ mho/m; $\epsilon_r = 45.8$; $\rho = 1000$ kg/m³

Phantom section: Flat Section

DASY4 Configuration:

- Probe: EX3DV3 - SN3507; ConvF(4.58, 4.58, 4.58); Calibrated: 2009/02/12

- Sensor-Surface: 2mm (Mechanical Surface Detection)

- Phantom: Flat Phantom ELI4.0

- Measurement SW: DASY4, V4.7 Build 71; Postprocessing SW: SEMCAD, V1.8 Build 184

Area Scan (61x61x1): Measurement grid: dx=10mm, dy=10mm

Maximum value of SAR (interpolated) = 19.5 mW/g

Zoom Scan (8x8x10)/Cube 0: Measurement grid: dx=4mm, dy=4mm, dz=2.5mm

Reference Value = 66.5 V/m; Power Drift = -0.076 dB

Peak SAR (extrapolated) = 34.1 W/kg

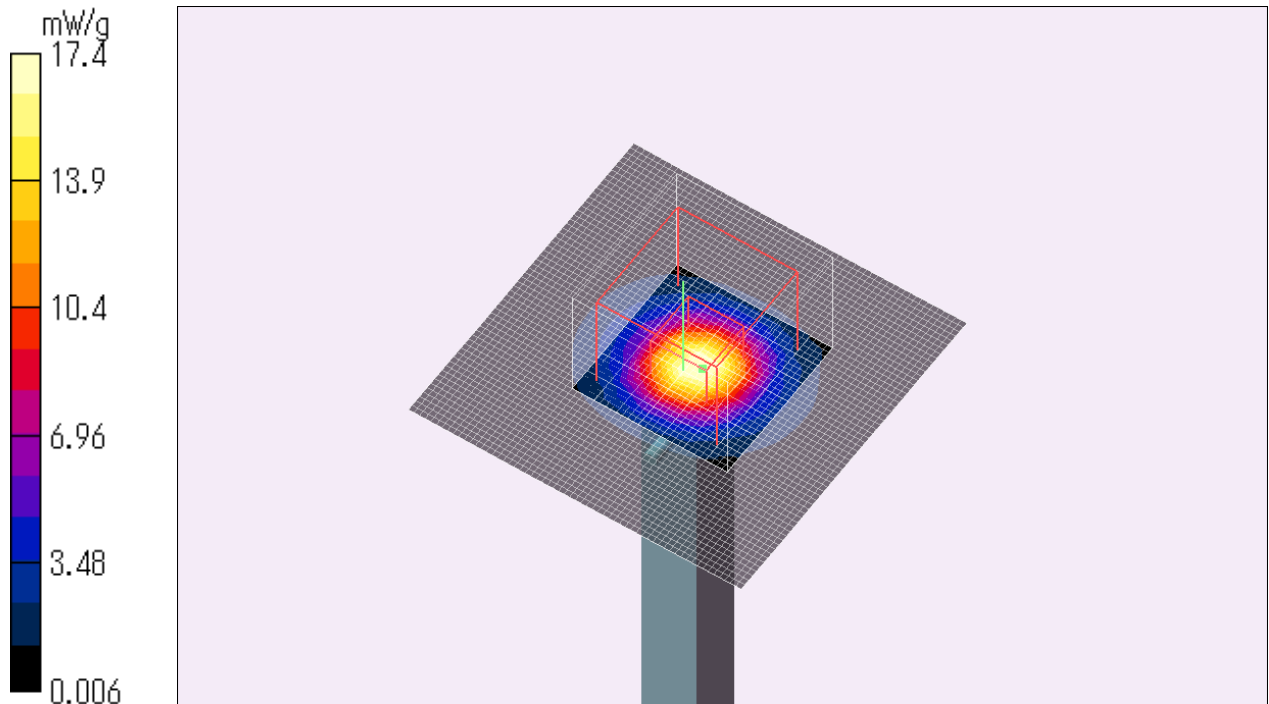
SAR(1 g) = 8.34 mW/g; SAR(10 g) = 2.36 mW/g

Maximum value of SAR (measured) = 17.4 mW/g

Test Date = 11/05/09

Ambient Temperature = 24.5 degree.c

Liquid Temperature = Before 23.5 degree.C , After 23.5 degree.C



UL Japan, Inc.

Head Office EMC Lab.

4383-326 Asama-cho, Ise-shi, Mie-ken 516-0021 JAPAN

Telephone : +81 596 24 8116

Facsimile : +81 596 24 8124

BODY 5800MHz System Validation / Dipole 5GHz / Forward Conducted Power : 100mW

Crest factor: 1

Medium: M5800 Medium parameters used: $f = 5800$ MHz; $\sigma = 6.23$ mho/m; $\epsilon_r = 45.6$; $\rho = 1000$ kg/m³

Phantom section: Flat Section

DASY4 Configuration:

- Probe: EX3DV3 - SN3507; ConvF(3.88, 3.88, 3.88); Calibrated: 2009/02/12
- Sensor-Surface: 2mm (Mechanical Surface Detection)
- Phantom: Flat Phantom ELI4.0
- Measurement SW: DASY4, V4.7 Build 71; Postprocessing SW: SEMCAD, V1.8 Build 184

Area Scan (101x101x1): Measurement grid: dx=10mm, dy=10mm

Maximum value of SAR (interpolated) = 16.8 mW/g

Zoom Scan (8x8x10)/Cube 0: Measurement grid: dx=4mm, dy=4mm, dz=2.5mm

Reference Value = 56.3 V/m; Power Drift = -0.005 dB

Peak SAR (extrapolated) = 31.4 W/kg

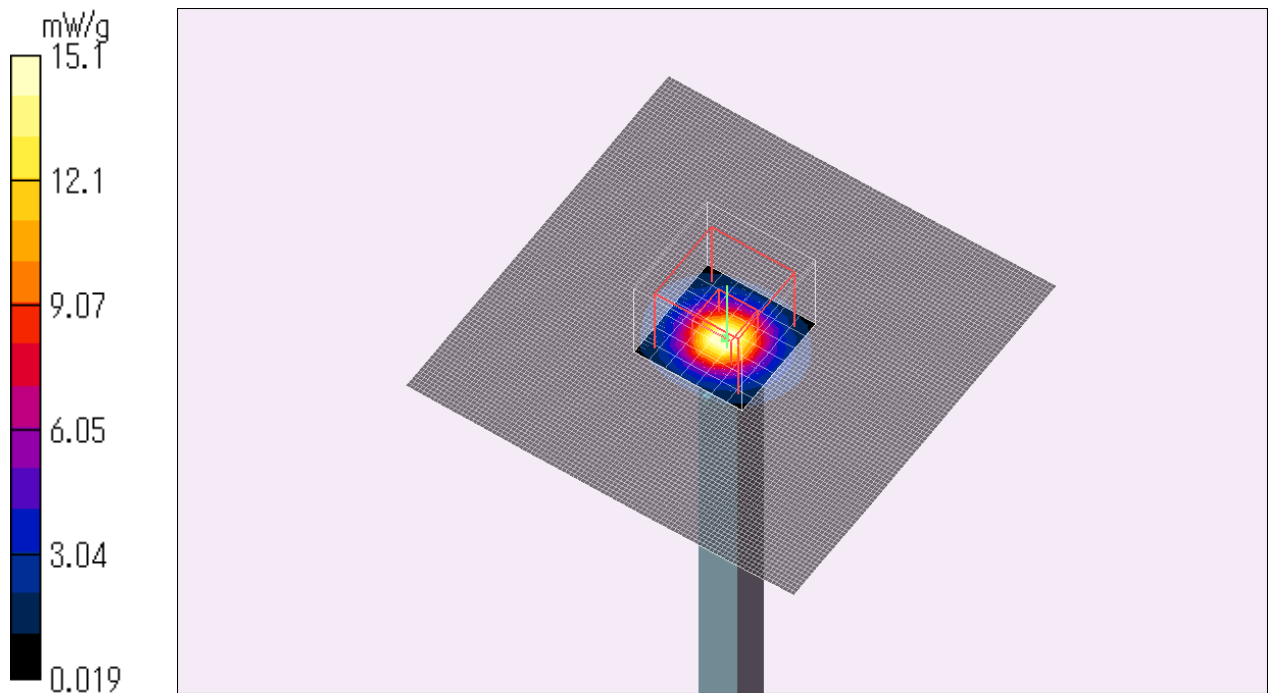
SAR(1 g) = 7.65 mW/g; SAR(10 g) = 2.13 mW/g

Maximum value of SAR (measured) = 15.1 mW/g

Test Date = 10/19/09

Ambient Temperature = 24.4 degree.c

Liquid Temperature = Before 23.4degree.C , After 23.4 degree.C



UL Japan, Inc.

Head Office EMC Lab.

4383-326 Asama-cho, Ise-shi, Mie-ken 516-0021 JAPAN

Telephone : +81 596 24 8116

Facsimile : +81 596 24 8124

BODY 5800MHz System Validation / Dipole 5GHz / Forward Conducted Power : 100mW

Crest factor: 1

Medium: M5800 Medium parameters used: $f = 5800$ MHz; $\sigma = 6.16$ mho/m; $\epsilon_r = 43.8$; $\rho = 1000$ kg/m³

Phantom section: Flat Section

DASY4 Configuration:

- Probe: EX3DV3 - SN3507; ConvF(3.88, 3.88, 3.88); Calibrated: 2009/02/12
- Sensor-Surface: 2mm (Mechanical Surface Detection)
- Phantom: Flat Phantom ELI4.0
- Measurement SW: DASY4, V4.7 Build 71; Postprocessing SW: SEMCAD, V1.8 Build 184

Area Scan (101x101x1): Measurement grid: dx=10mm, dy=10mm

Maximum value of SAR (interpolated) = 17.0 mW/g

Zoom Scan (8x8x10)/Cube 0: Measurement grid: dx=4mm, dy=4mm, dz=2.5mm

Reference Value = 55.5 V/m; Power Drift = 0.068 dB

Peak SAR (extrapolated) = 31.7 W/kg

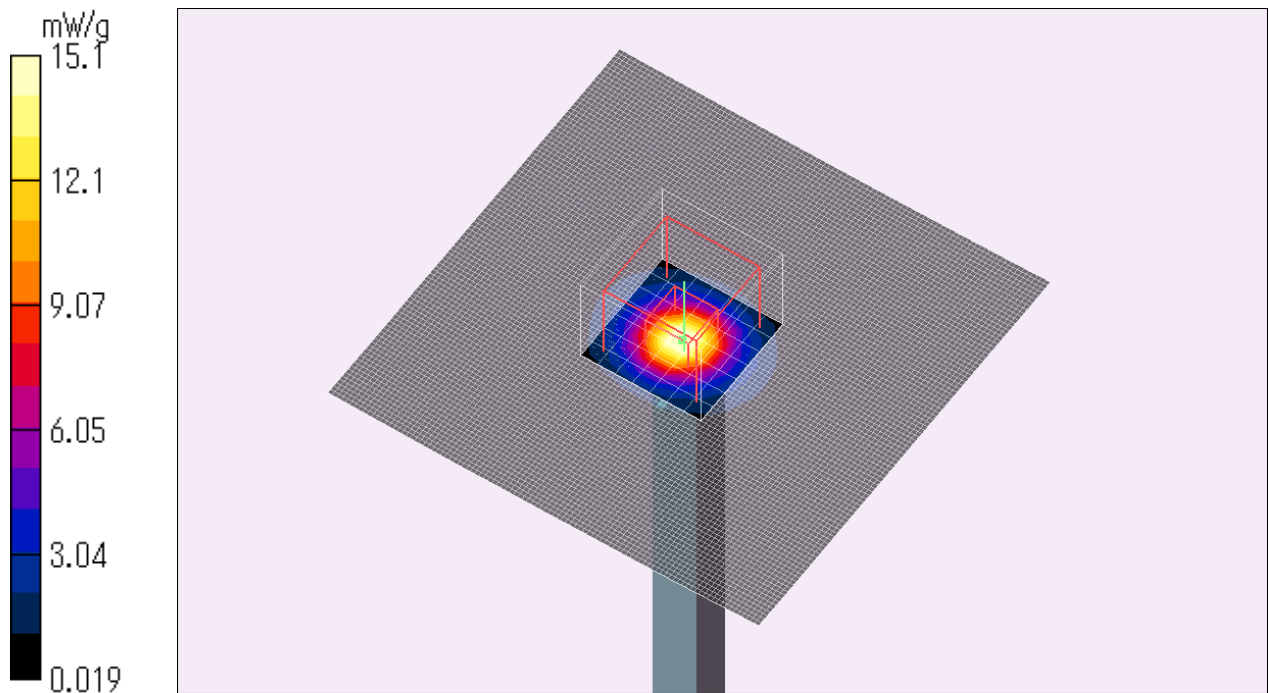
SAR(1 g) = 7.7 mW/g; SAR(10 g) = 2.15 mW/g

Maximum value of SAR (measured) = 15.1 mW/g

Test Date = 10/20/09

Ambient Temperature = 24.3 degree.c

Liquid Temperature = Before 23.3degree.C , After 23.3 degree.C



UL Japan, Inc.

Head Office EMC Lab.

4383-326 Asama-cho, Ise-shi, Mie-ken 516-0021 JAPAN

Telephone : +81 596 24 8116

Facsimile : +81 596 24 8124

BODY 5800MHz System Validation / Dipole 5GHz / Forward Conducted Power : 100mW

Crest factor: 1

Medium: M5800 Medium parameters used: $f = 5800$ MHz; $\sigma = 6.21$ mho/m; $\epsilon_r = 44.1$; $\rho = 1000$ kg/m³

Phantom section: Flat Section

DASY4 Configuration:

- Probe: EX3DV3 - SN3507; ConvF(3.88, 3.88, 3.88); Calibrated: 2009/02/12
- Sensor-Surface: 2mm (Mechanical Surface Detection)
- Phantom: Flat Phantom ELI4.0
- Measurement SW: DASY4, V4.7 Build 71; Postprocessing SW: SEMCAD, V1.8 Build 184

Area Scan (81x81x1): Measurement grid: dx=10mm, dy=10mm

Maximum value of SAR (interpolated) = 17.2 mW/g

Zoom Scan (8x8x10)/Cube 0: Measurement grid: dx=4mm, dy=4mm, dz=2.5mm

Reference Value = 62.1 V/m; Power Drift = -0.107 dB

Peak SAR (extrapolated) = 33.9 W/kg

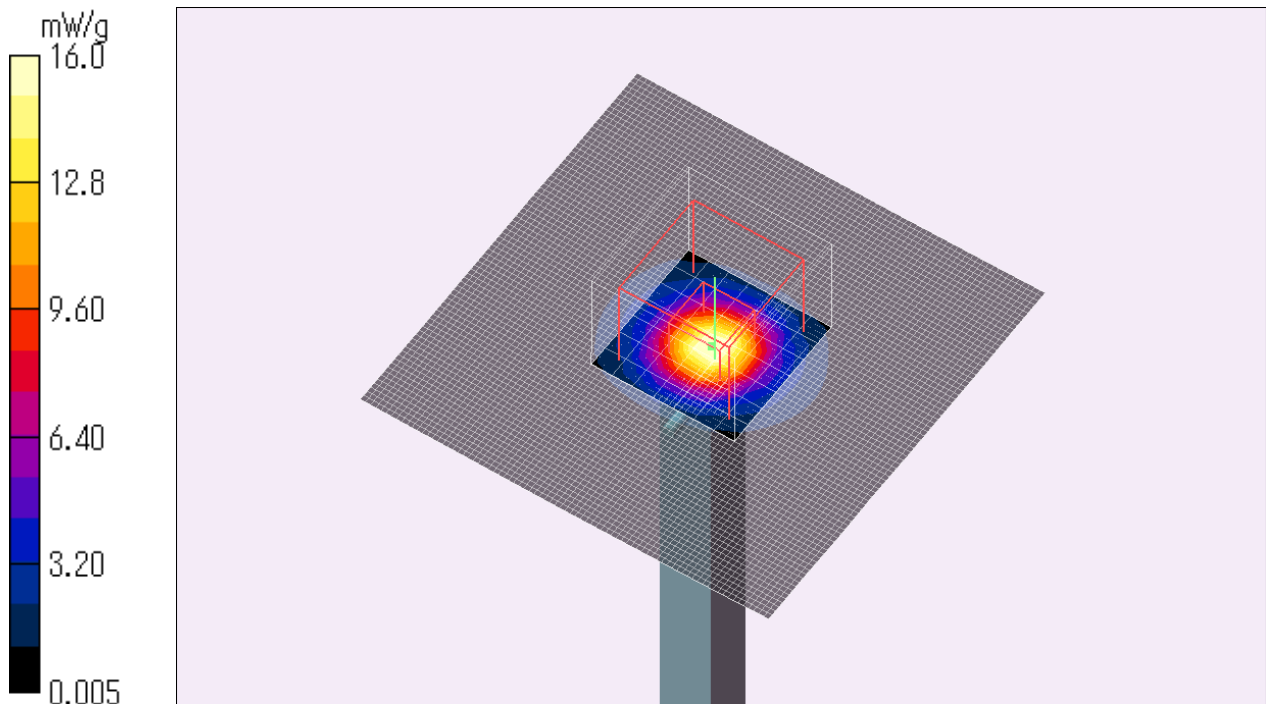
SAR(1 g) = 7.8 mW/g; SAR(10 g) = 2.2 mW/g

Maximum value of SAR (measured) = 16.0 mW/g

Test Date = 11/06/09

Ambient Temperature = 24.5 degree.c

Liquid Temperature = Before 23.4 degree.C , After 23.5 degree.C



UL Japan, Inc.

Head Office EMC Lab.

4383-326 Asama-cho, Ise-shi, Mie-ken 516-0021 JAPAN

Telephone : +81 596 24 8116

Facsimile : +81 596 24 8124

11. System Validation Dipole (D5GHzV2,S/N: 1020)

Calibration Laboratory of
Schmid & Partner
Engineering AG
Zeughausstrasse 43, 8004 Zurich, Switzerland



S Schweizerischer Kalibrierdienst
C Service suisse d'étalonnage
S Servizio svizzero di taratura
S Swiss Calibration Service

Accredited by the Swiss Accreditation Service (SAS)
The Swiss Accreditation Service is one of the signatories to the EA
Multilateral Agreement for the recognition of calibration certificates

Accreditation No.: SCS 108

Client **UL Japan (PTT)**

Certificate No: D5GHzV2-1020_Aug09

CALIBRATION CERTIFICATE

Object: D5GHzV2 - SN: 1020

Calibration procedure(s): QA CAL-22.v1
Calibration procedure for dipole validation kits between 3-6 GHz

Calibration date: August 19, 2009

Condition of the calibrated item: In Tolerance

This calibration certificate documents the traceability to national standards, which realize the physical units of measurements (SI).
The measurements and the uncertainties with confidence probability are given on the following pages and are part of the certificate.

All calibrations have been conducted in the closed laboratory facility: environment temperature (22 ± 3)°C and humidity < 70%.

Calibration Equipment used (M&TE critical for calibration)

Primary Standards	ID #	Cal Date (Certificate No.)	Scheduled Calibration
Power meter EPM-442A	GB37480704	08-Oct-08 (No. 217-00898)	Oct-09
Power sensor HP 8481A	US37292783	08-Oct-08 (No. 217-00898)	Oct-09
Reference 20 dB Attenuator	SN: 5086 (20g)	31-Mar-09 (No. 217-01025)	Mar-10
Type-N mismatch combination	SN: 5047.2 / 06327	31-Mar-09 (No. 217-01029)	Mar-10
Reference Probe EX3DV4	SN: 3503	11-Mar-09 (No. EX3-3503_Mar09)	Mar-10
DAE4	SN: 601	07-Mar-09 (No. DAE4-601_Mar09)	Mar-10
Secondary Standards	ID #	Check Date (in house)	Scheduled Check
Power sensor HP 8481A	MY41092317	18-Oct-02 (in house check Oct-07)	In house check: Oct-09
RF generator R&S SMT-06	100005	4-Aug-99 (in house check Oct-07)	In house check: Oct-09
Network Analyzer HP 8753E	US37390585 S4206	18-Oct-01 (in house check Oct-08)	In house check: Oct-09

Calibrated by: Name: Jeton Kastrati, Function: Laboratory Technician, Signature: [Signature]

Approved by: Name: Katja Pokovic, Function: Technical Manager, Signature: [Signature]

Issued: August 19, 2009

This calibration certificate shall not be reproduced except in full without written approval of the laboratory.

Calibration Laboratory of
Schmid & Partner
Engineering AG
Zeughausstrasse 43, 8004 Zurich, Switzerland



S Schweizerischer Kalibrierdienst
C Service suisse d'étalonnage
S Servizio svizzero di taratura
S Swiss Calibration Service

Accredited by the Swiss Accreditation Service (SAS)
The Swiss Accreditation Service is one of the signatories to the EA
Multilateral Agreement for the recognition of calibration certificates

Accreditation No.: **SCS 108**

Glossary:

TSL tissue simulating liquid
ConvF sensitivity in TSL / NORM x,y,z
N/A not applicable or not measured

Calibration is Performed According to the Following Standards:

- a) IEC Std 62209 Part 2, "Evaluation of Human Exposure to Radio Frequency Fields from Handheld and Body-Mounted Wireless Communication Devices in the Frequency Range of 30 MHz to 6 GHz: Human models, Instrumentation, and Procedures"; Part 2: "Procedure to determine the Specific Absorption Rate (SAR) for including accessories and multiple transmitters", Draft Version 0.9, December 2004
- b) Federal Communications Commission Office of Engineering & Technology (FCC OET), "Evaluating Compliance with FCC Guidelines for Human Exposure to Radiofrequency Electromagnetic Fields; Additional Information for Evaluating Compliance of Mobile and Portable Devices with FCC Limits for Human Exposure to Radiofrequency Emissions", Supplement C (Edition 01-01) to Bulletin 65

Additional Documentation:

- c) DAS4/5 System Handbook

Methods Applied and Interpretation of Parameters:

- *Measurement Conditions:* Further details are available from the Validation Report at the end of the certificate. All figures stated in the certificate are valid at the frequency indicated.
- *Antenna Parameters with TSL:* The dipole is mounted with the spacer to position its feed point exactly below the center marking of the flat phantom section, with the arms oriented parallel to the body axis.
- *Feed Point Impedance and Return Loss:* These parameters are measured with the dipole positioned under the liquid filled phantom. The impedance stated is transformed from the measurement at the SMA connector to the feed point. The Return Loss ensures low reflected power. No uncertainty required.
- *Electrical Delay:* One-way delay between the SMA connector and the antenna feed point. No uncertainty required.
- *SAR measured:* SAR measured at the stated antenna input power.
- *SAR normalized:* SAR as measured, normalized to an input power of 1 W at the antenna connector.
- *SAR for nominal TSL parameters:* The measured TSL parameters are used to calculate the nominal SAR result.

UL Japan, Inc.

Head Office EMC Lab.

4383-326 Asama-cho, Ise-shi, Mie-ken 516-0021 JAPAN

Telephone : +81 596 24 8116

Facsimile : +81 596 24 8124

Measurement Conditions

DASY system configuration, as far as not given on page 1.

DASY Version	DASY5	V5.0
Extrapolation	Advanced Extrapolation	
Phantom	Modular Flat Phantom V5.0	
Distance Dipole Center - TSL	10 mm	with Spacer
Area Scan resolution	dx, dy = 10 mm	
Zoom Scan Resolution	dx, dy = 4.0 mm, dz = 2.5 mm	
Frequency	5200 MHz ± 1 MHz 5500 MHz ± 1 MHz 5800 MHz ± 1 MHz	

Head TSL parameters at 5200 MHz

The following parameters and calculations were applied.

	Temperature	Permittivity	Conductivity
Nominal Head TSL parameters	22.0 °C	36.0	4.66 mho/m
Measured Head TSL parameters	(22.0 ± 0.2) °C	36.2 ± 6 %	4.65 mho/m ± 6 %
Head TSL temperature during test	(22.0 ± 0.2) °C	----	----

SAR result with Head TSL at 5200 MHz

SAR averaged over 1 cm ³ (1 g) of Head TSL	condition	
SAR measured	100 mW input power	7.70 mW / g
SAR normalized	normalized to 1W	77.0 mW / g
SAR for nominal Head TSL parameters ¹	normalized to 1W	77.1 mW / g ± 19.9 % (k=2)

SAR averaged over 10 cm ³ (10 g) of Head TSL	condition	
SAR measured	100 mW input power	2.19 mW / g
SAR normalized	normalized to 1W	21.9 mW / g
SAR for nominal Head TSL parameters ¹	normalized to 1W	21.9 mW / g ± 19.5 % (k=2)

¹ Correction to nominal TSL parameters according to c), chapter "SAR Sensitivities"

UL Japan, Inc.

Head Office EMC Lab.

4383-326 Asama-cho, Ise-shi, Mie-ken 516-0021 JAPAN

Telephone : +81 596 24 8116

Facsimile : +81 596 24 8124

Head TSL parameters at 5500 MHz

The following parameters and calculations were applied.

	Temperature	Permittivity	Conductivity
Nominal Head TSL parameters	22.0 °C	35.6	4.96 mho/m
Measured Head TSL parameters	(22.0 ± 0.2) °C	35.6 ± 6 %	4.93 mho/m ± 6 %
Head TSL temperature during test	(22.0 ± 0.2) °C	----	----

SAR result with Head TSL at 5500 MHz

SAR averaged over 1 cm ³ (1 g) of Head TSL	condition	
SAR measured	100 mW input power	8.07 mW / g
SAR normalized	normalized to 1W	80.7 mW / g
SAR for nominal Head TSL parameters ¹	normalized to 1W	80.7 mW / g ± 19.9 % (k=2)

SAR averaged over 10 cm ³ (10 g) of Head TSL	condition	
SAR measured	100 mW input power	2.28 mW / g
SAR normalized	normalized to 1W	22.8 mW / g
SAR for nominal Head TSL parameters ¹	normalized to 1W	22.8 mW / g ± 19.5 % (k=2)

Head TSL parameters at 5800 MHz

The following parameters and calculations were applied.

	Temperature	Permittivity	Conductivity
Nominal Head TSL parameters	22.0 °C	35.3	5.27 mho/m
Measured Head TSL parameters	(22.0 ± 0.2) °C	35.1 ± 6 %	5.20 mho/m ± 6 %
Head TSL temperature during test	(22.0 ± 0.2) °C	----	----

SAR result with Head TSL at 5800 MHz

SAR averaged over 1 cm ³ (1 g) of Head TSL	condition	
SAR measured	100 mW input power	7.49 mW / g
SAR normalized	normalized to 1W	74.9 mW / g
SAR for nominal Head TSL parameters ¹	normalized to 1W	74.7 mW / g ± 19.9 % (k=2)

SAR averaged over 10 cm ³ (10 g) of Head TSL	condition	
SAR measured	100 mW input power	2.12 mW / g
SAR normalized	normalized to 1W	21.2 mW / g
SAR for nominal Head TSL parameters ¹	normalized to 1W	21.1 mW / g ± 19.5 % (k=2)

¹ Correction to nominal TSL parameters according to c), chapter "SAR Sensitivities"

UL Japan, Inc.

Head Office EMC Lab.

4383-326 Asama-cho, Ise-shi, Mie-ken 516-0021 JAPAN

Telephone : +81 596 24 8116

Facsimile : +81 596 24 8124

Body TSL parameters at 5200 MHz

The following parameters and calculations were applied.

	Temperature	Permittivity	Conductivity
Nominal Body TSL parameters	22.0 °C	49.0	5.30 mho/m
Measured Body TSL parameters	(22.0 ± 0.2) °C	48.2 ± 6 %	5.46 mho/m ± 6 %
Body TSL temperature during test	(22.5 ± 0.2) °C	----	----

SAR result with Body TSL at 5200 MHz

SAR averaged over 1 cm ³ (1 g) of Body TSL	condition	
SAR measured	100 mW input power	7.75 mW / g
SAR normalized	normalized to 1W	77.5 mW / g
SAR for nominal Body TSL parameters ¹	normalized to 1W	77.2 mW / g ± 19.9 % (k=2)

SAR averaged over 10 cm ³ (10 g) of Body TSL	condition	
SAR measured	100 mW input power	2.16 mW / g
SAR normalized	normalized to 1W	21.6 mW / g
SAR for nominal Body TSL parameters ¹	normalized to 1W	21.5 mW / g ± 19.5 % (k=2)

Body TSL parameters at 5500 MHz

The following parameters and calculations were applied.

	Temperature	Permittivity	Conductivity
Nominal Body TSL parameters	22.0 °C	48.6	5.65 mho/m
Measured Body TSL parameters	(22.0 ± 0.2) °C	47.4 ± 6 %	5.85 mho/m ± 6 %
Body TSL temperature during test	(22.5 ± 0.2) °C	----	----

SAR result with Body TSL at 5500 MHz

SAR averaged over 1 cm ³ (1 g) of Body TSL	condition	
SAR measured	100 mW input power	8.25 mW / g
SAR normalized	normalized to 1W	82.5 mW / g
SAR for nominal Body TSL parameters ¹	normalized to 1W	82.1 mW / g ± 19.9 % (k=2)

SAR averaged over 10 cm ³ (10 g) of Body TSL	condition	
SAR measured	100 mW input power	2.27 mW / g
SAR normalized	normalized to 1W	22.7 mW / g
SAR for nominal Body TSL parameters ¹	normalized to 1W	22.6 mW / g ± 19.5 % (k=2)

¹ Correction to nominal TSL parameters according to c), chapter "SAR Sensitivities"

UL Japan, Inc.

Head Office EMC Lab.

4383-326 Asama-cho, Ise-shi, Mie-ken 516-0021 JAPAN

Telephone : +81 596 24 8116

Facsimile : +81 596 24 8124

Body TSL parameters at 5800 MHz

The following parameters and calculations were applied.

	Temperature	Permittivity	Conductivity
Nominal Body TSL parameters	22.0 °C	48.2	6.00 mho/m
Measured Body TSL parameters	(22.0 ± 0.2) °C	46.9 ± 6 %	6.21 mho/m ± 6 %
Body TSL temperature during test	(22.5 ± 0.2) °C	----	----

SAR result with Body TSL at 5800 MHz

SAR averaged over 1 cm ³ (1 g) of Body TSL	condition	
SAR measured	100 mW input power	7.13 mW / g
SAR normalized	normalized to 1W	71.3 mW / g
SAR for nominal Body TSL parameters ¹	normalized to 1W	71.0 mW / g ± 19.9 % (k=2)

SAR averaged over 10 cm ³ (10 g) of Body TSL	condition	
SAR measured	100 mW input power	1.96 mW / g
SAR normalized	normalized to 1W	19.6 mW / g
SAR for nominal Body TSL parameters ¹	normalized to 1W	19.5 mW / g ± 19.5 % (k=2)

¹ Correction to nominal TSL parameters according to c), chapter *SAR Sensitivities

Appendix

Antenna Parameters with Head TSL at 5200 MHz

Impedance, transformed to feed point	48.7 Ω - 9.9 j Ω
Return Loss	-19.9 dB

Antenna Parameters with Head TSL at 5500 MHz

Impedance, transformed to feed point	49.5 Ω - 3.4 j Ω
Return Loss	-29.2 dB

Antenna Parameters with Head TSL at 5800 MHz

Impedance, transformed to feed point	56.0 Ω - 1.3 j Ω
Return Loss	-24.8 dB

Antenna Parameters with Body TSL at 5200 MHz

Impedance, transformed to feed point	49.2 Ω - 9.3 j Ω
Return Loss	-20.5 dB

Antenna Parameters with Body TSL at 5500 MHz

Impedance, transformed to feed point	49.5 Ω - 1.7 j Ω
Return Loss	-34.9 dB

Antenna Parameters with Body TSL at 5800 MHz

Impedance, transformed to feed point	55.5 Ω - 0.2 j Ω
Return Loss	-25.6 dB

General Antenna Parameters and Design

Electrical Delay (one direction)	1.199 ns
----------------------------------	----------

After long term use with 40 W radiated power, only a slight warming of the dipole near the feedpoint can be measured.

The dipole is made of standard semirigid coaxial cable. The center conductor of the feeding line is directly connected to the second arm of the dipole. The antenna is therefore short-circuited for DC-signals.

No excessive force must be applied to the dipole arms, because they might bend or the soldered connections near the feedpoint may be damaged.

Additional EUT Data

Manufactured by	SPEAG
Manufactured on	February 05, 2004

UL Japan, Inc.

Head Office EMC Lab.

4383-326 Asama-cho, Ise-shi, Mie-ken 516-0021 JAPAN

Telephone : +81 596 24 8116

Facsimile : +81 596 24 8124

DASY5 Validation Report for Head TSL

Date/Time: 13.08.2009 14:59:05

Test Laboratory: SPEAG, Zurich, Switzerland

DUT: Dipole 5GHz; Type: D5GHz; Serial: D5GHzV2 - SN:1020

Communication System: CW-5GHz; Frequency: 5200 MHz Frequency: 5500 MHz Frequency: 5800 MHz;
Duty Cycle: 1:1

Medium: HSL 3-6 GHz

Medium parameters used: $f = 5200$ MHz; $\sigma = 4.65$ mho/m; $\epsilon_r = 36.2$; $\rho = 1000$ kg/m³ Medium parameters used: $f = 5500$ MHz; $\sigma = 4.93$ mho/m; $\epsilon_r = 35.6$; $\rho = 1000$ kg/m³ Medium parameters used: $f = 5800$ MHz; $\sigma = 5.2$ mho/m; $\epsilon_r = 35.1$; $\rho = 1000$ kg/m³

Phantom section: Flat Section

Measurement Standard: DASY5 (IEEE/IEC)

DASY5 Configuration:

- Probe: EX3DV4 - SN3503; ConvF(5.36, 5.36, 5.36)ConvF(4.85, 4.85, 4.85)ConvF(4.74, 4.74, 4.74); Calibrated: 11.03.2009
- Sensor-Surface: 2mm (Mechanical Surface Detection)
- Electronics: DAE4 Sn601; Calibrated: 07.03.2009
- Phantom: Flat Phantom 5.0 (front); Type: QD000P50AA; Serial: 1001
- Measurement SW: DASY5, V5.0 Build 120; SEMCAD X Version 13.4 Build 45

d=10mm, Pin=100mW, f=5200 MHz/Area Scan (61x61x1): Measurement grid: dx=10mm, dy=10mm

Maximum value of SAR (interpolated) = 15.8 mW/g

d=10mm, Pin=100mW, f=5200 MHz/Zoom Scan (8x8x10), dist=2mm (8x8x10)/Cube 0:

Measurement grid: dx=4mm, dy=4mm, dz=2.5mm

Reference Value = 61.5 V/m; Power Drift = 0.086 dB

Peak SAR (extrapolated) = 30.1 W/kg

SAR(1 g) = 7.7 mW/g; SAR(10 g) = 2.19 mW/g

Maximum value of SAR (measured) = 16 mW/g

d=10mm, Pin=100mW, f=5500 MHz 2/Zoom Scan (8x8x10), dist=2mm (8x8x10)/Cube 0:

Measurement grid: dx=4mm, dy=4mm, dz=2.5mm

Reference Value = 62 V/m; Power Drift = 0.094 dB

Peak SAR (extrapolated) = 32.8 W/kg

SAR(1 g) = 8.07 mW/g; SAR(10 g) = 2.28 mW/g

Maximum value of SAR (measured) = 16.9 mW/g

d=10mm, Pin=100mW, f=5800 MHz 2/Zoom Scan (8x8x10), dist=2mm (8x8x10)/Cube 0:

Measurement grid: dx=4mm, dy=4mm, dz=2.5mm

Reference Value = 59 V/m; Power Drift = 0.090 dB

Peak SAR (extrapolated) = 31.9 W/kg

SAR(1 g) = 7.49 mW/g; SAR(10 g) = 2.12 mW/g

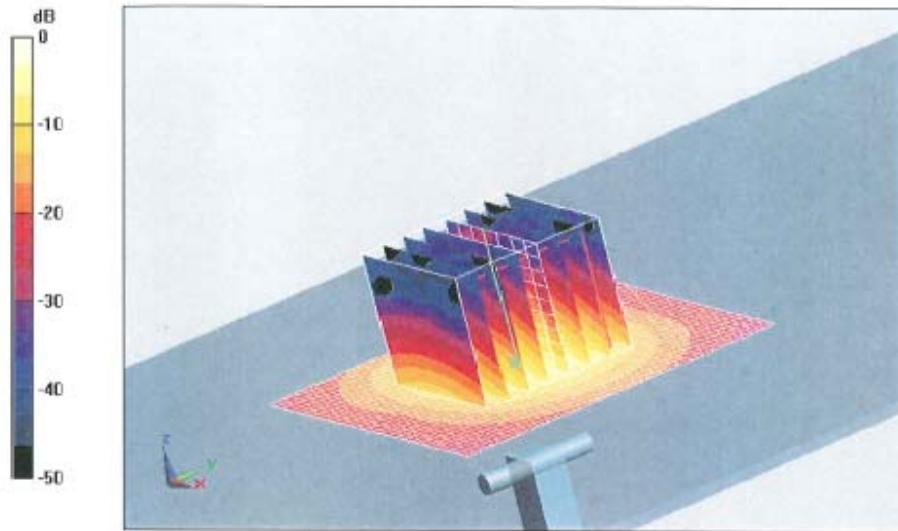
UL Japan, Inc.

Head Office EMC Lab.

4383-326 Asama-cho, Ise-shi, Mie-ken 516-0021 JAPAN

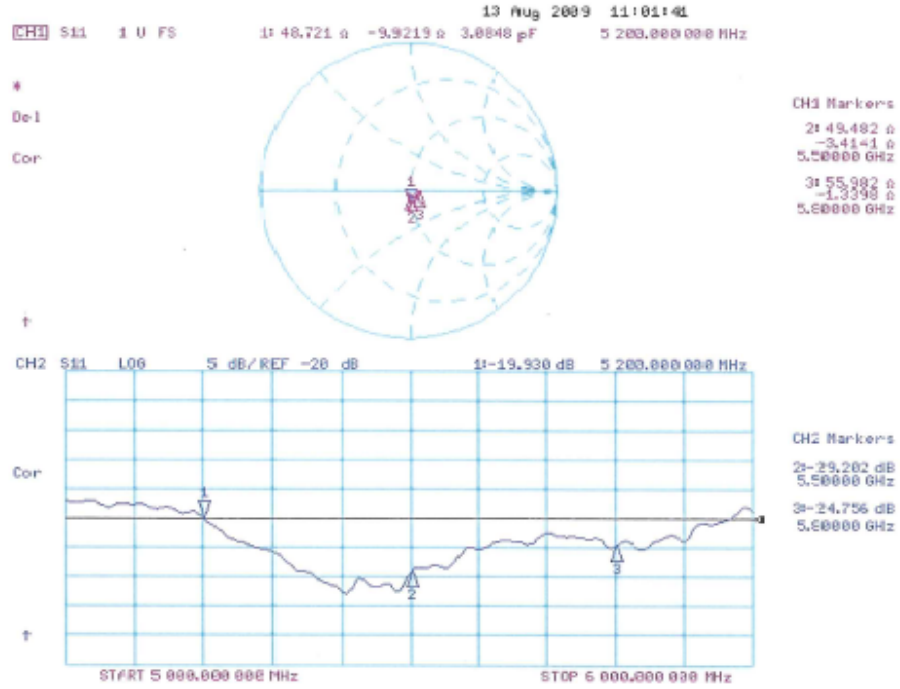
Telephone : +81 596 24 8116

Facsimile : +81 596 24 8124



0 dB = 16mW/g

Impedance Measurement Plot for Head TSL



DASY5 Validation Report for Body TSL

Date/Time: 19.08.2009 13:11:30

Test Laboratory: SPEAG, Zurich, Switzerland

DUT: Dipole 5GHz; Type: D5GHz; Serial: D5GHzV2 - SN:1020

Communication System: CW-5GHz; Frequency: 5200 MHzFrequency: 5500 MHzFrequency: 5800 MHz;
Duty Cycle: 1:1

Medium: MSL 3-6 GHz

Medium parameters used: $f = 5200$ MHz; $\sigma = 5.43$ mho/m; $\epsilon_r = 48.2$; $\rho = 1000$ kg/m³ Medium parameters used: $f = 5500$ MHz; $\sigma = 5.82$ mho/m; $\epsilon_r = 47.5$; $\rho = 1000$ kg/m³ Medium parameters used: $f = 5800$ MHz; $\sigma = 6.17$ mho/m; $\epsilon_r = 46.9$; $\rho = 1000$ kg/m³

Phantom section: Flat Section

Measurement Standard: DASY5 (IEEE/IEC)

DASY5 Configuration:

- Probe: EX3DV4 - SN3503; ConvF(4.88, 4.88, 4.88)ConvF(4.37, 4.37, 4.37)ConvF(4.57, 4.57, 4.57); Calibrated: 11.03.2009
- Sensor-Surface: 2mm (Mechanical Surface Detection)
- Electronics: DAE4 Sn601; Calibrated: 07.03.2009
- Phantom: Flat Phantom 5.0 (back); Type: QD000P50AA; Serial: 1002
- Measurement SW: DASY5, V5.0 Build 120; SEMCAD X Version 13.4 Build 45

d=10mm, Pin=100mW, f=5200 MHz/Area Scan (61x61x1): Measurement grid: dx=10mm, dy=10mm

Maximum value of SAR (interpolated) = 16.3 mW/g

d=10mm, Pin=100mW, f=5200 MHz/Zoom Scan (8x8x10), dist=2mm (8x8x10)/Cube 0:

Measurement grid: dx=4mm, dy=4mm, dz=2.5mm

Reference Value = 59.5 V/m; Power Drift = 9.72e-005 dB

Peak SAR (extrapolated) = 29.4 W/kg

SAR(1 g) = 7.75 mW/g; SAR(10 g) = 2.16 mW/g

Maximum value of SAR (measured) = 16.3 mW/g

d=10mm, Pin=100mW, f=5500 MHz/Zoom Scan (8x8x10), dist=2mm (8x8x10)/Cube 0:

Measurement grid: dx=4mm, dy=4mm, dz=2.5mm

Reference Value = 59.4 V/m; Power Drift = 0.00123 dB

Peak SAR (extrapolated) = 33.5 W/kg

SAR(1 g) = 8.25 mW/g; SAR(10 g) = 2.27 mW/g

Maximum value of SAR (measured) = 17.7 mW/g

d=10mm, Pin=100mW, f=5800 MHz/Zoom Scan (8x8x10), dist=2mm (8x8x10)/Cube 0:

Measurement grid: dx=4mm, dy=4mm, dz=2.5mm

Reference Value = 54 V/m; Power Drift = 0.00784 dB

Peak SAR (extrapolated) = 31 W/kg

SAR(1 g) = 7.13 mW/g; SAR(10 g) = 1.96 mW/g

Maximum value of SAR (measured) = 15.6 mW/g

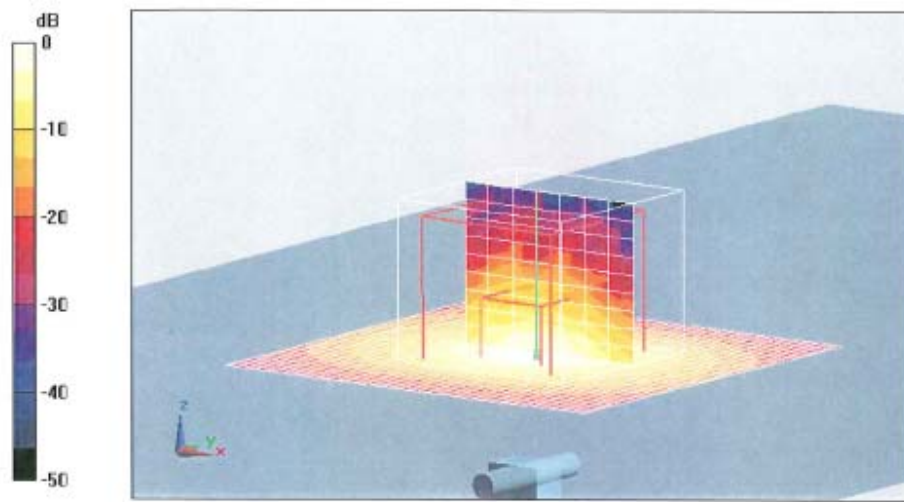
UL Japan, Inc.

Head Office EMC Lab.

4383-326 Asama-cho, Ise-shi, Mie-ken 516-0021 JAPAN

Telephone : +81 596 24 8116

Facsimile : +81 596 24 8124



0 dB = 15.6mW/g

Impedance Measurement Plot for Body TSL

