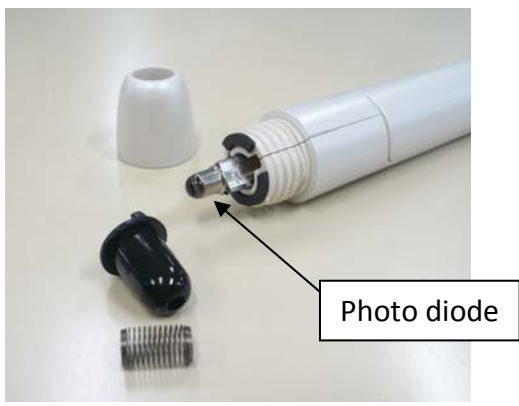


Internal Photos

1) Pen tip parts



2)-1 Battery case

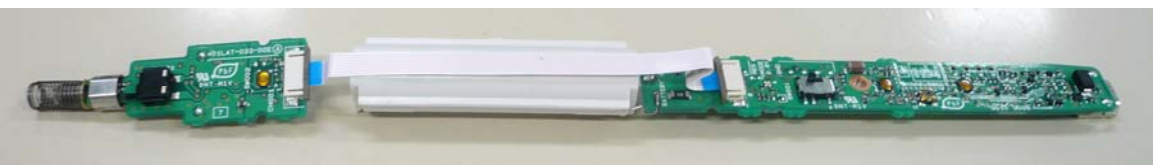


*Label is only for sample

2)-2 Battery case with battery



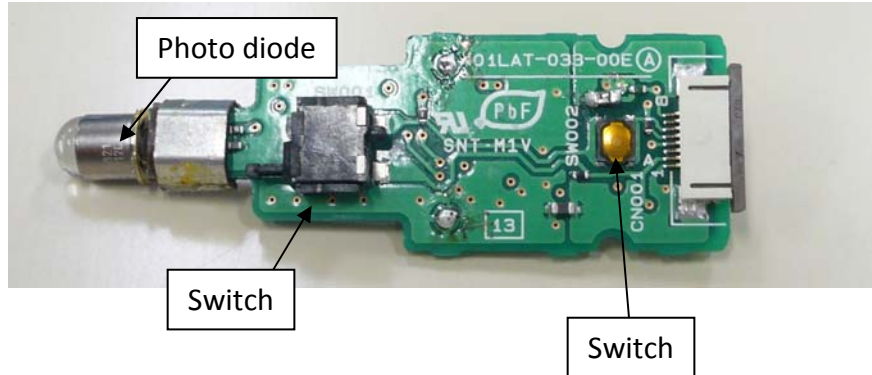
3)-1 Circuitry overview - top



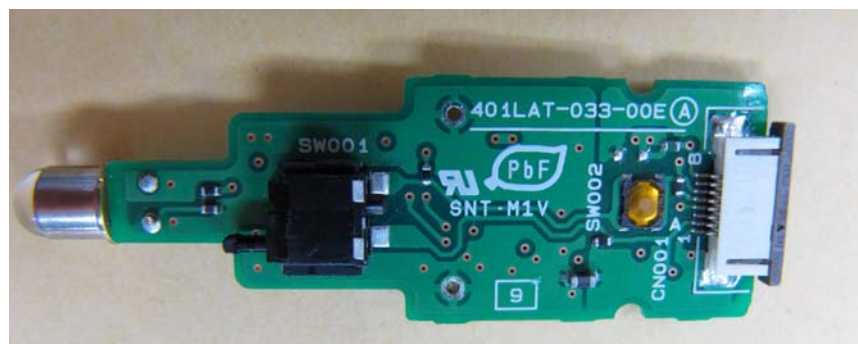
3)-2 Circuitry overview - bottom



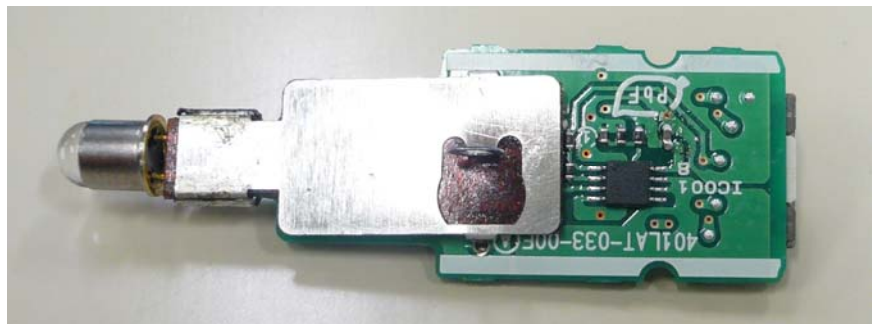
4)-1 Circuit 1 (top)



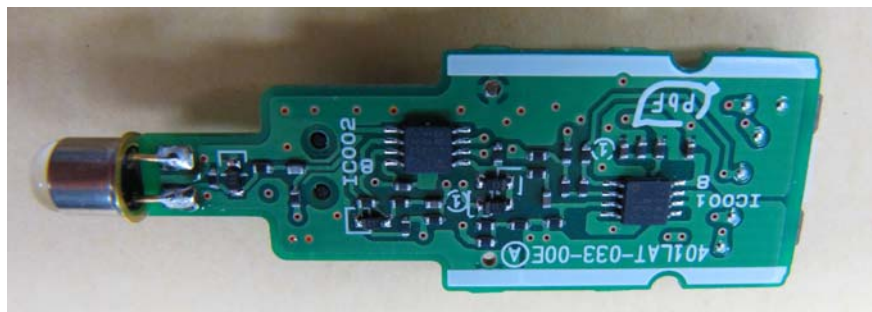
4)-2 Circuit 1 (top, without shielding)



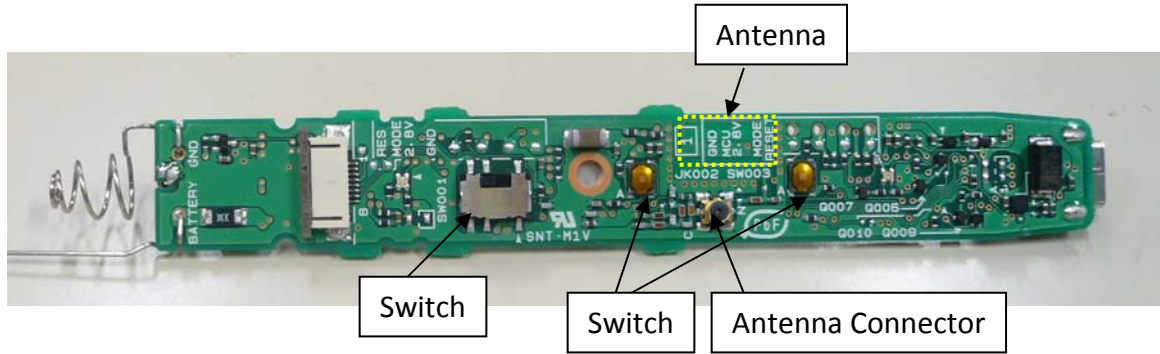
4)-3 Circuit 1 (bottom)



4)-4 Circuit 1 (bottom, without shielding)



5)-1 Circuit 2 (top)



5)-2 Circuit 2 (bottom)

