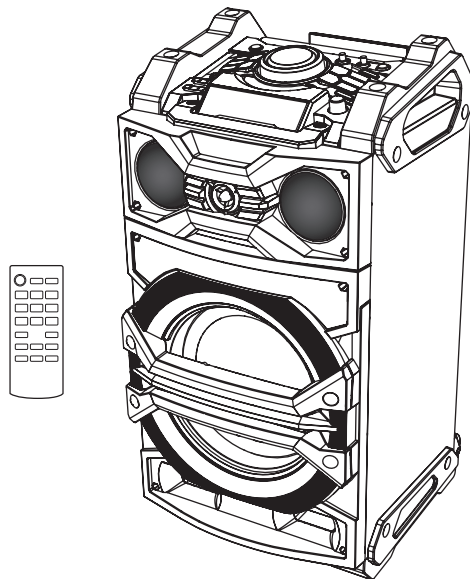


Panasonic®

Owner's Manual Active Speaker System

Model No. SC-CMAX5



Thank you for purchasing this product.
Please read these instructions carefully before using this product,
and save this manual for future use.

If you have any questions, visit:
U.S.A.: <http://shop.panasonic.com/support>
Canada: www.panasonic.ca/english/support

Register online at <http://shop.panasonic.com/support> (U.S. customers only)

PP

RQT0A53-Y

Confidential until
2015/08/15

IMPORTANT SAFETY INSTRUCTIONS

Read these operating instructions carefully before using the unit. Follow the safety instructions on the unit and the applicable safety instructions listed below. Keep these operating instructions handy for future reference.

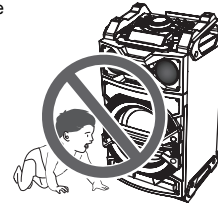
- 1 Read these instructions.
- 2 Keep these instructions.
- 3 Heed all warnings.
- 4 Follow all instructions.
- 5 Do not use this apparatus near water.
- 6 Clean only with dry cloth.
- 7 Do not block any ventilation openings. Install in accordance with the manufacturer's instructions.
- 8 Do not install near any heat sources such as radiators, heat registers, stoves, or other apparatus (including amplifiers) that produce heat.
- 9 Do not defeat the safety purpose of the polarized or grounding-type plug. A polarized plug has two blades with one wider than the other. A grounding-type plug has two blades and a third grounding prong. The wide blade or the third prong are provided for your safety. If the provided plug does not fit into your outlet, consult an electrician for replacement of the obsolete outlet.
- 10 Protect the power cord from being walked on or pinched particularly at plugs, convenience receptacles, and the point where they exit from the apparatus.
- 11 Only use attachments/accessories specified by the manufacturer.
- 12 Use only with the cart, stand, tripod, bracket, or table specified by the manufacturer, or sold with the apparatus. When a cart is used, use caution when moving the cart/apparatus combination to avoid injury from tip-over.
- 13 Unplug this apparatus during lightning storms or when unused for long periods of time.
- 14 Refer all servicing to qualified service personnel. Servicing is required when the apparatus has been damaged in any way, such as power-supply cord or plug is damaged, liquid has been spilled or objects have fallen into the apparatus, the apparatus has been exposed to rain or moisture, does not operate normally, or has been dropped.



CAUTION

Unit

- To reduce the risk of fire, electric shock or product damage,
 - Do not install or place this unit in a bookcase, built-in cabinet or in another confined space. Ensure this unit is well ventilated.
 - Do not obstruct this unit's ventilation openings with newspapers, tablecloths, curtains, and similar items.
 - Do not place sources of naked flames, such as lighted candles, on this unit.
 - Do not expose this unit to direct sunlight, high temperatures, high humidity, and excessive vibration.
- Do not allow children to climb on this unit.
- Do not stack anything on this unit.
- Place this unit on an even surface.
- Use caution when lifting the unit.
 - Lift it with more than one person if necessary.
- Do not touch the speaker cone's reverberating surfaces:
 - This may damage the speaker cone.
 - The speaker cone may be hot.
- Do not place your feet under the unit, or at its wheels' areas.
- Improper handling or transportation manner may cause the unit to fall, etc., resulting in damage and/or personal injury.
- Be careful when babies or children are near.



Battery

- Danger of explosion if battery is incorrectly replaced. Replace only with the type recommended by the manufacturer.
- When disposing of the batteries, please contact your local authorities or dealer and ask for the correct method of disposal.
- Do not heat or expose to flame.
- Do not leave the battery(ies) in a car exposed to direct sunlight for a long period of time with doors and windows closed.
- Do not take apart or short circuit.
- Do not recharge alkaline or manganese batteries.
- Do not use the battery if the cover has peeled off.
- Remove the battery if you do not use the remote control for a long period of time. Keep in a cool, dark area.

WARNING

Unit



- To reduce the risk of fire, electric shock or product damage,
 - Do not expose this unit to rain, moisture, dripping or splashing.
 - Do not place objects filled with liquids, such as vases, on this unit.
 - Use only the recommended accessories.
 - Do not remove covers.
 - Do not repair this unit by yourself. Refer servicing to qualified service personnel.
- Do not let metal objects fall inside this unit.

AC power supply cord

- The power plug is the disconnecting device. Install this unit so that the power plug can be unplugged from the socket outlet immediately.

2

RQT0A53 (ENG)

	CAUTION RISK OF ELECTRIC SHOCK DO NOT OPEN	
CAUTION : TO REDUCE THE RISK OF ELECTRIC SHOCK, DO NOT REMOVE SCREWS. NO USER-SERVICEABLE PARTS INSIDE. REFER SERVICING TO QUALIFIED SERVICE PERSONNEL.		



The lightning flash with arrowhead symbol, within an equilateral triangle, is intended to alert the user to the presence of uninsulated "dangerous voltage" within the product's enclosure that may be of sufficient magnitude to constitute a risk of electric shock to persons.



The exclamation point within an equilateral triangle is intended to alert the user to the presence of important operating and maintenance (servicing) instructions in the literature accompanying the appliance.

Table of contents

IMPORTANT SAFETY INSTRUCTIONS	2
Accessories	3
Audio sources	3
Licenses	3
Unit care	4
About Bluetooth®	4
Moving this unit	5
Control reference guide	6
Connecting to AC power supply	7
Connecting a USB device	8
Bluetooth® operations	8
Media playback controls	9
Sound and illumination effects	11
Clock and Timers	11
External equipment	12
Using a microphone or guitar	14
Others	15
Troubleshooting	16
Specifications	19
Limited Warranty (ONLY FOR U.S.A.)	20
Limited Warranty (ONLY FOR CANADA)	21

About descriptions in this Owner's Manual

- Pages to be referred to are indicated as "→ ○○".
- Unless otherwise indicated, operations are described using the remote control.

Accessories

Check the supplied accessories before using this unit.

- 1 x AC power supply cord
(K2CB2CB00022)
- 1 x Battery for remote control
- 1 x Remote control
(N2QAYB001000)

(ONLY FOR CANADA)

The enclosed Canadian French label sheet corresponds to the English display on the unit.



- Do not use AC power supply cord with other equipment.
- Product numbers provided in this Owner's Manual are correct as of May 2015. These may be subject to change.

Audio sources

The following marks indicate the availability of the feature.

- USB**: USB devices containing MP3 files (→ below)
- Bluetooth**: Connected Bluetooth® device (→ 8)
- AUX**: External equipment connected to the AUX IN 1 or AUX IN 2 terminal (→ 12)

Compatible USB devices

- This unit does not guarantee connection with all USB devices.
- FAT12, FAT16 and FAT32 file systems are supported.
- This unit supports USB 2.0 full speed.
- This unit can support USB devices of up to 32 GB.
- Only one memory card will be selected when connecting a multiport USB card reader, typically the first memory card inserted.

Compatible MP3 files

- Supported format:
Files with the extension ".mp3" or ".MP3".
- Depending on how you create the MP3 files, they may not play in the order you numbered them or may not play at all.
- Files are defined as tracks and folders are defined as albums.
- This system can play up to 800 albums (maximum 999 tracks in an album) or a total of 8000 tracks, depending on the available storage capacity.

Licenses

MPEG Layer-3 audio coding technology licensed from Fraunhofer IIS and Thomson.

The Bluetooth® word mark and logos are registered trademarks owned by Bluetooth SIG, Inc. and any use of such marks by Panasonic Corporation is under license. Other trademarks and trade names are those of their respective owners.

Google Play and Android are trademarks of Google Inc.

Unit care

To prevent speaker damage

- When you play music at high levels for a long period, it can cause damage to the speakers and decrease the life of the speakers.
- Decrease the volume in these conditions to prevent damage:
 - When the sound is distorted.
 - When you adjust the sound quality.

Clean this unit with a soft, dry cloth

Pull out the AC power supply cord from the outlet before maintenance.

- When dirt is heavy, wring a wet cloth tightly to wipe the dirt, and then wipe it with a dry cloth.
- Never use alcohol, paint thinner or benzine to clean this unit.
- Before using chemically treated cloth, carefully read the cloth's instructions.

To dispose or transfer this unit

The unit may keep the user settings information in the unit. If you discard this unit either by disposal or transfer, then follow the procedure to return all the settings to the factory defaults to delete the user settings.

(→ 16, "To return all settings to the factory defaults")

- The operation history may be recorded in the memory of this unit.

About Bluetooth®

Panasonic bears no responsibility for data and/or information that is compromised during a wireless transmission.

Frequency band used

- This system uses the 2.4 GHz frequency band.

Certification of this device

- This system conforms to frequency restrictions and has received certification based on frequency laws. Thus, a wireless permit is not necessary.
- The actions below are punishable by law in some countries:
 - Taking apart or modifying the system.
 - Removing specification indications.

Restrictions of use

- Wireless transmission and/or usage with all Bluetooth® equipped devices is not guaranteed.
- All devices must conform to standards set by Bluetooth SIG, Inc.
- Depending on the specifications and settings of a device, it can fail to connect or some operations can be different.
- This system supports Bluetooth® security features. But depending on the operating environment and/or settings, this security is possibly not sufficient. Transmit data wirelessly to this system with caution.
- This system cannot transmit data to a Bluetooth® device.

Range of use

- Use this device at a maximum range of 10 m (33 ft). The range can decrease depending on the environment, obstacles or interference.

Interference from other devices

- This system may not function properly and troubles such as noise and sound jumps may arise due to radio wave interference if this system is located too close to other Bluetooth® devices or the devices that use the 2.4 GHz band.
- This system may not function properly if radio waves from a nearby broadcasting station, etc. is too strong.

Intended usage

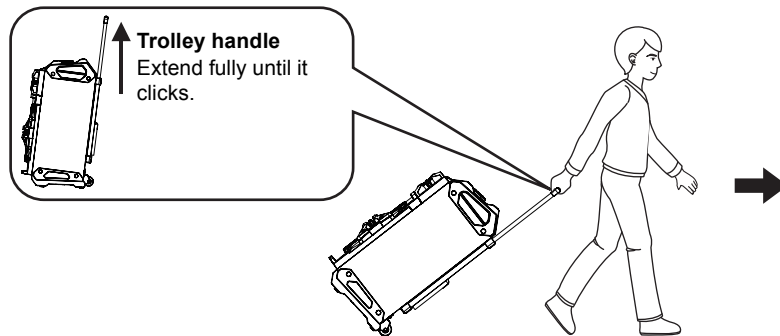
- This system is for normal, general use only.
- Do not use this system near an equipment or in an environment that is sensitive to radio frequency interference (e.g.: airports, hospitals, laboratories, etc.).

Moving this unit

You can move this unit with ease by its wheels.

Preparation

- Be sure to remove all connected devices and cables from this unit.



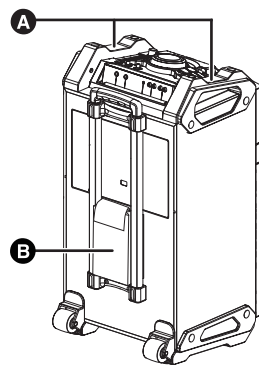
- Take care when pulling on steep slope.
- Avoid pulling over surfaces which are rough or uneven.
- Do not pull over stairs.
- Lift the unit when transporting over obstacles.
- Always push the trolley handle down fully after transportation.
- This speaker system does not have magnetic shielding. Do not place it near a TV, PC or other magnetic devices.

Lifting the unit

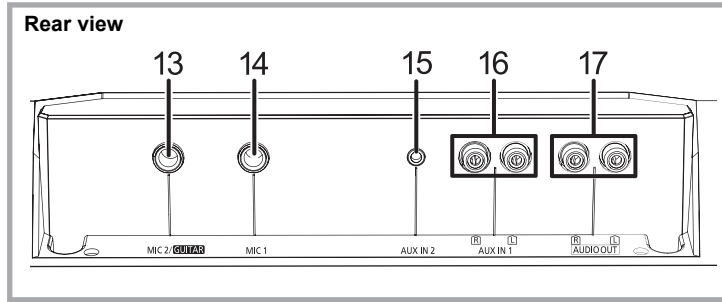
Grip the top handles (A) to lift the unit.

Using the accessory pocket (B)

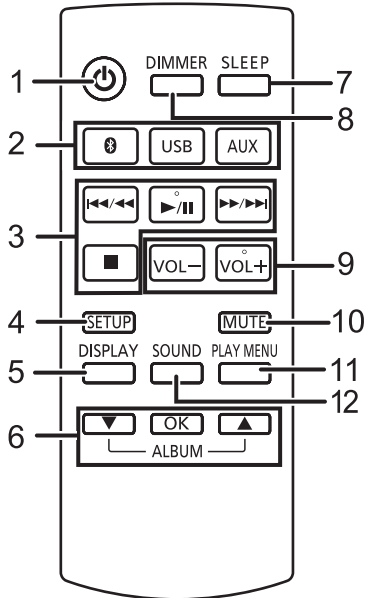
You may like to put some accessories in this pocket for your convenience during transportation.



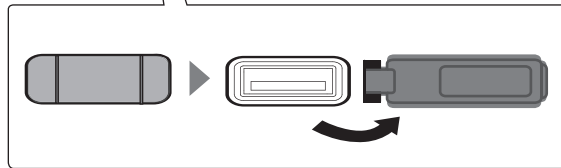
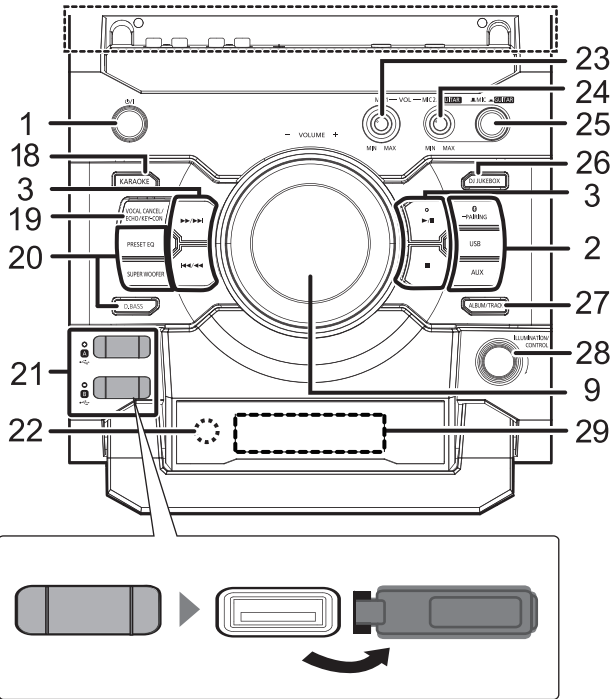
Control reference guide



Remote control



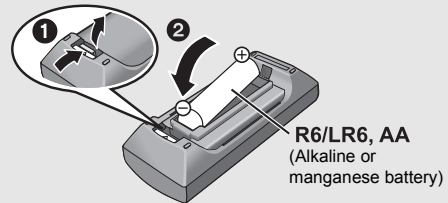
Top view



■ Using the remote control

Insert the battery so the terminals (+ and -) match those in the remote control.
Point it at the remote control signal sensor on this unit.

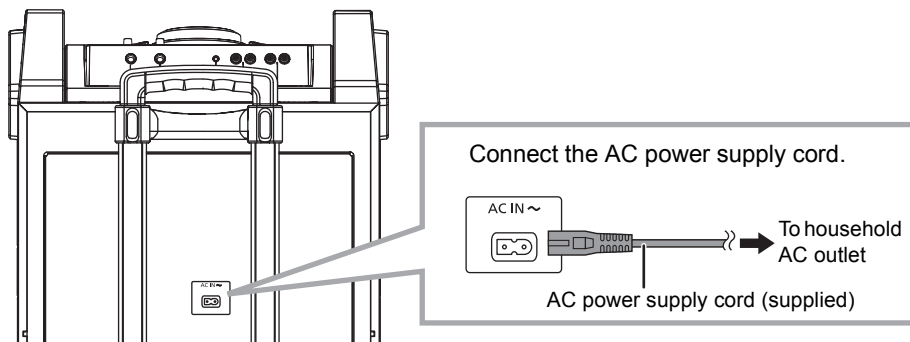
- To avoid interference, please do not put any objects in front of signal sensor.



- 1 **Standby/on switch** [⏻], [⏻/⏺]
Press to switch the unit from on to standby mode or vice versa. In standby mode, the unit is still consuming a small amount of power.
- 2 **Select audio source**
On the unit:
To start Bluetooth® pairing, press and hold [Ⓜ-PAIRING] when you are in Bluetooth® source.
- 3 **Basic playback control buttons**
- 4 **Enter setup menu**
- 5 **Change the displayed information**
- 6 **Selection/OK**
- 7 **Set the sleep timer**
- 8 **Dim the display panel and turn off the illumination**
Press again to cancel.
- 9 **Adjust the volume (0 (min.) to 50 (max.))**
- 10 **Mute the sound**
Press again to cancel. "MUTE" is also canceled when the volume is adjusted or the unit is turned off.
- 11 **Set the play menu item**
- 12 **Enter sound menu**
- 13 **Microphone jack 2/Guitar input jack**
- 14 **Microphone jack 1**
- 15 **AUX IN 2 terminal**
- 16 **AUX IN 1 terminal**
- 17 **AUDIO OUT terminal**
- 18 **Enter KARAOKE mode**
- 19 **Select vocal cancel, echo or key control**
- 20 **Select the sound effects**
- 21 **USB A** **USB B**
USB port for playback
USB status indicator
- 22 **Remote control signal sensor**
Distance: Within approx. 7 m (23 ft) directly in front
Angle: Approximately 20° up and down, 30° left and right
- 23 **Adjust the volume of microphone 1**
- 24 **Adjust the volume of microphone 2 or guitar**
- 25 **Microphone 2 or guitar switch** (→ 14)
- 26 **Select the DJ jukebox** (→ 10)
- 27 **Select MP3 album or track browsing mode** (→ 9)
- 28 **Change the illumination setting** (→ 11)
Browse MP3 tracks or albums (→ 9)
Change DJ jukebox playback mode (→ 10)
- 29 **Display panel**

Connecting to AC power supply

This unit (rear)



Conserving power

The system consumes a small amount of power (→ 19) even when it is in standby mode. Disconnect the power supply if you do not use the system.

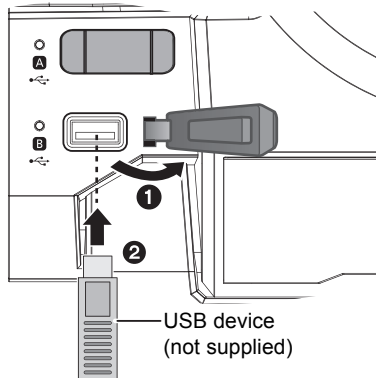
Some settings will be lost after you disconnect the system. You have to set them again.

Connecting a USB device Bluetooth® operations

Preparation

- Before you connect a USB device to the unit, make sure you do a backup of the data.

This unit (top)



- 1 Decrease the volume and connect the USB device to the USB port.
- 2 Press [USB] to select "USB A" or "USB B". The corresponding USB status indicator lights green when selected.



- Insert the USB device directly. Do not use any USB extension cable.
- Please disconnect the USB device if you finish using.
- Stop the USB operation before disconnecting the USB device.

You can listen to the sound from the Bluetooth® audio device from this unit wirelessly.

- Refer to the operating instructions of the Bluetooth® device for details.

Connecting via Bluetooth® menu

Preparation

- Turn on the Bluetooth® feature of the device and place the device near this unit.

Pairing with Bluetooth® devices

- 1 Press [BT] to select "BLUETOOTH".
↳ If "PAIRING" is indicated on the display, go to step 4.

To enter pairing mode*

- 2 Press [PLAY MENU] to select "PAIRING".
- 3 Press [▲, ▼] to select "OK? YES" and then press [OK].

To pair with a device

- 4 Select "SC-CMAX5" from the Bluetooth® device's Bluetooth® menu.
↳ The MAC address (e.g., 6C:5A:B5:B3:1D:0F) may be displayed before "SC-CMAX5" is displayed.
↳ The name of the connected device is indicated on the display for a few seconds.

- 5 Start playback on the Bluetooth® device.

* You can also enter pairing mode by pressing and holding [BT]-PAIRING on the unit.

Connecting a paired Bluetooth® device

- 1 Press [BT] to select "BLUETOOTH".
↳ "BLUETOOTH READY" is indicated on the display.
- 2 Select "SC-CMAX5" from the Bluetooth® device's Bluetooth® menu.
↳ The name of the connected device is indicated on the display for a few seconds.
- 3 Start playback on the Bluetooth® device.



- If prompted for the passkey, input "0000".
- You can register up to 8 devices with this unit. If a 9th device is paired, the device that has not been used the longest will be replaced.
- This unit can only be connected to one device at a time.
- When "BLUETOOTH" is selected as the source, this unit will automatically try and connect to the last connected Bluetooth® device. ("LINKING" is indicated on the display during this process.) If the connection attempt fails, try to establish a connection again.
- When enjoying video contents with this function, the video and audio output may not be synchronized.

Bluetooth® transmission mode

You can change the transmission mode to prioritize transmission quality or sound quality.

Preparation

- Press [F] to select "BLUETOOTH".
- If a Bluetooth® device is already connected, disconnect it.

- 1 Press [PLAY MENU] repeatedly to select "LINK MODE".
- 2 Press [▲, ▼] to select the mode and then press [OK].
MODE 1: Emphasis on connectivity
MODE 2: Emphasis on sound quality



- Select "MODE 1" if the sound is interrupted.
- The factory default is "MODE 2".

Disconnecting a Bluetooth® device

- 1 While a Bluetooth® device is connected: Press [PLAY MENU] repeatedly to select "DISCONNECT?".
- 2 Press [▲, ▼] to select "OK? YES" and then press [OK].



- You can also disconnect the Bluetooth® device by pressing and holding [F]-[PAIRING] on the unit.
- The Bluetooth® device will be disconnected if a different audio source (e.g., "USB A") is selected.

Media playback controls

Preparation

- Turn the unit on.
- Insert the USB device or connect the Bluetooth® device.
- Press [USB] or [F] to select the audio source.

Basic controls (USB, Bluetooth)

Play	Press [▶/⏸].
Stop	Press [■]. <ul style="list-style-type: none"> • [USB] The position is memorized and "RESUME" is displayed. - Press [▶/⏸] to resume. - Press [■] again to clear the position.
Pause	Press [▶/⏸]. Press again to restart play.
Skip	Press [◀◀/▶▶] or [▶▶/▶▶] to skip track. [USB] Press [▲] or [▼] to skip the MP3 album.
Search	During play or pause, press and hold [◀◀/▶▶] or [▶▶/▶▶].

To browse MP3 tracks or albums (USB)

By the unit only

- 1 Press [ALBUM/TRACK] to select album or track browsing mode.
- 2 While "□" (album) or "♪" (track) is blinking, turn [ILLUMINATION/CONTROL] to browse.

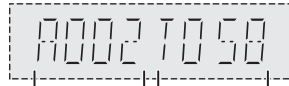
To display information

Press [DISPLAY] repeatedly.



- To use this unit's remote control with a Bluetooth® device, the Bluetooth® device must support AVRCP (Audio Video Remote Control Profile). Depending on the status of the device, some controls may not work.
- Maximum characters that can be indicated:
[USB]: approximately 32
[Bluetooth]: approximately 16
- This unit supports ver. 1 and 2 ID3 tags. Text data that is not supported will not be displayed or will be shown differently.
- Album and track indication for MP3 files.

e.g.



Album number Track number

DJ jukebox (USB)

You can use DJ jukebox to add cross-fading effect between songs. You can also use additional features with the "Panasonic MAX Juke" app (→ below).

- 1 Press [PLAY MENU] repeatedly to select "JUKEBOX".
- 2 Press [▲, ▼] to select the setting and then press [OK].

OFF CROSSFADE	Turn on DJ jukebox without cross-fading effect.
ON CROSSFADE	Turn on DJ jukebox with cross-fading effect.
OFF	Turn off DJ jukebox.

Using the unit

Press [DJ JUKEBOX] repeatedly to select the setting.

DJ jukebox playback mode

When the DJ jukebox is on, the playback mode switches to repeat mode automatically.

To select your desired repeat settings

- 1 Press [PLAY MENU] repeatedly to select "PLAYMODE".
- 2 Press [▲, ▼] to select the setting and then press [OK].

RANDOM REPEAT	Play all tracks randomly and repeat all tracks. • "RND" is displayed.
ALL TITLE REPEAT	Repeat all tracks. • " " is displayed.

Using the unit

In the stop mode, turn [ILLUMINATION/CONTROL].



- DJ jukebox effect is canceled when you switch off the system, change to another source, or turn on the Karaoke mode.

Using the "Panasonic MAX Juke" app

You can download and install the free Android™ app "Panasonic MAX Juke" on Google Play™ for additional features, such as to request song playback from multiple devices simultaneously.

Playback modes (USB)

Select the playback mode.

Preparation

- Set the DJ jukebox to "OFF".

- 1 Press [PLAY MENU] repeatedly to select "PLAYMODE" or "REPEAT".
- 2 Press [▲, ▼] to select the setting and then press [OK].

PLAYMODE	
OFF PLAYMODE	Cancels the play mode setting.
1-TRACK	Only plays the selected track. • "1-TR" is displayed. (Skip to the desired track.)
1-ALBUM	Only plays the selected MP3 album. • "1-ALB" is displayed.
RANDOM	Plays the contents randomly. • "RND" is displayed.
1-ALBUM RANDOM	Plays the tracks in the selected MP3 album randomly. • Press [▲] or [▼] to select the MP3 album. • "1-ALB", "RND" are displayed.
REPEAT	
ON REPEAT	Turns on repeat mode. • " " is displayed.
OFF REPEAT	Turns off repeat mode.



- During random play, you cannot skip to the previous track.

Sound and illumination effects

Sound effects

The following sound effects can be added to the audio output.

- 1 Press [SOUND] repeatedly to select the sound effect.
- 2 Press [\blacktriangle , \blacktriangledown] to select the setting and then press [OK].

PRESET EQ	Select the desired preset EQ setting. • Select "FLAT" to turn preset EQ off. Using the unit Press [PRESET EQ].
BASS	
MID	-4 to +4
TREBLE	
INPUT LEVEL (For "AUX 2" source)	"NORMAL" or "HIGH" • Select "NORMAL" if the sound is distorted during "HIGH" input level.
SUPER WOOFER	"SW1", "SW2", "SW3" or "OFF" Using the unit Press [SUPER WOOFER].
D.BASS	"D.BASS BEAT", "D.BASS OFF" or "D.BASS ON" Using the unit Press [D.BASS]. • D.BASS BEAT: This function emphasizes the attack level of the drum beat and produces a punchy sound. Depending on the track, the effect may be small.



- You may experience a reduction in sound quality when these effects are used with some sources. If this occurs, turn the sound effects off.

Illumination settings

By the unit only

You can change the illumination color on the unit.

Turn [ILLUMINATION/CONTROL].
To cancel, select "OFF".

Clock and Timers

Setting the clock

This is a 12-hour clock.

- 1 Press [SETUP] repeatedly to select "CLOCK".
- 2 Press [\blacktriangle , \blacktriangledown] to set the time and then press [OK].



- To check the time, press [SETUP] repeatedly to select "CLOCK" and then press [OK] once. (During standby, press [DISPLAY] once.)
- The clock is reset when there is a power failure or when the AC power supply cord is removed.
- Reset the clock regularly to maintain accuracy.

Sleep timer

The sleep timer can turn the unit off after a set time.

Press [SLEEP] to set the time (in minutes).

SLEEP 30 → SLEEP 60 → SLEEP 90 → SLEEP 120
 ↑ OFF (Cancel) ↓



- To confirm the remaining time, press [SLEEP] once.
- The play timer and sleep timer can be used together. The sleep timer is always the main timer on the unit.

Play timer

You can set the timer to come on at a certain time to wake you up.

Preparation

Set the clock.

- 1 Press [SETUP] repeatedly to select "TIMER ADJ".
- 2 Press [▲, ▼] to select "⊙PLAY" and then press [OK].
- 3 Press [▲, ▼] to set the starting time and then press [OK].
- 4 Press [▲, ▼] to set the finishing time and then press [OK].
- 5 Press [▲, ▼] to select the music source* you want to play and then press [OK].

Turning the timer on

- 1 Prepare the music source you want to listen to (USB or external equipment) and set the volume.
- 2 Press [SETUP] repeatedly to select "TIMER SET".
- 3 Press [▲, ▼] to select "PLAY ON" and then press [OK].
 - "⊙PLAY" is displayed.
 - To turn the timer off, press [▲, ▼] to clear "⊙PLAY", and then press [OK].
- 4 Press [⏻] to turn the unit to standby mode. (For the timer to operate, the unit must be turned off before the timer start time.)

To check the setting

- 1 Press [SETUP] repeatedly to select "TIMER ADJ".
- 2 Press [▲, ▼] to select "⊙PLAY" and then press [OK].

(During standby, press [DISPLAY] twice.)



- The play timer starts at a low volume and increases gradually to the preset level.
- The timer comes on at the set time every day if the timer is on.
- If you switch off the system and switch on again while a timer is in operation, the timer will not stop at the end time.

※ The following can be set as the music source.
"AUX 1", "AUX 2", "USB A", "USB B"

External equipment

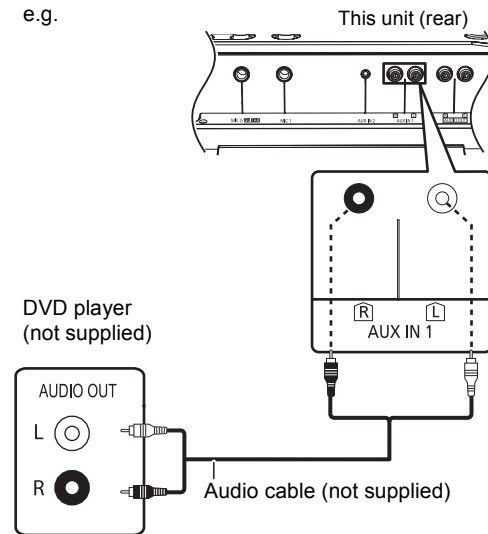
Preparation

- Disconnect the AC power supply cord.
- Switch off all equipment and read the appropriate operating instructions.

Using a VCR and DVD player etc.

You can connect a VCR and DVD player etc. and listen to the audio through this system.

e.g.



- 1 Connect an external equipment using an audio cable (not supplied).
- 2 Press [AUX] to select "AUX 1" and start playback on the connected device.



- If you want to connect equipment other than those described, refer to the audio dealer.
- Sound distortion can occur when you use an adaptor.

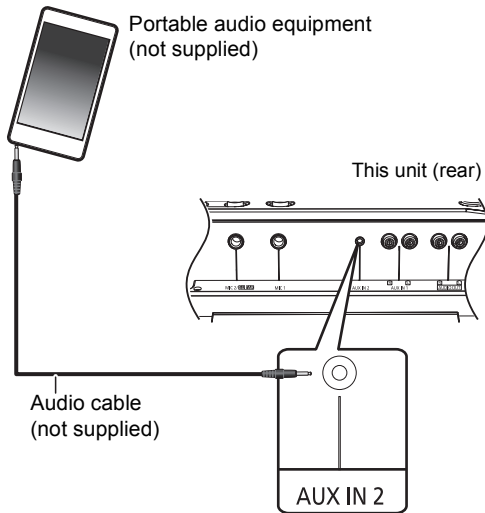
Using the portable audio equipment

You can play music from a portable audio equipment.

Preparation

- Switch off the equalizer (if any) of the portable audio equipment to prevent sound distortion.
- Decrease the volume of the system and the portable audio equipment before you connect or disconnect the portable audio equipment.

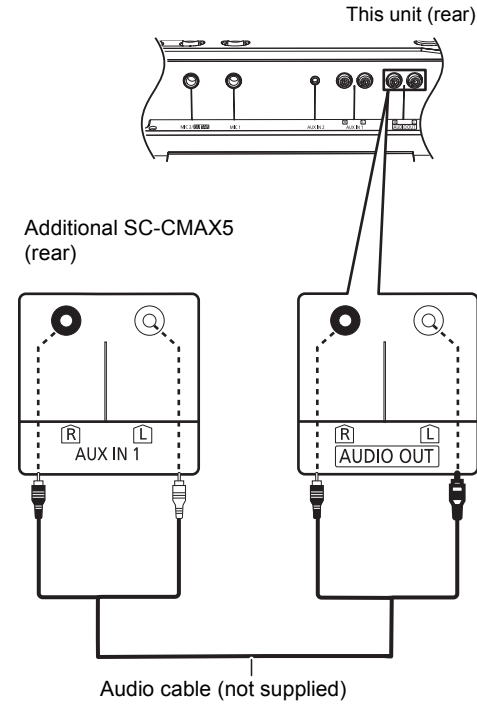
e.g.



- 1 Connect the portable audio equipment using an audio cable (not supplied).
 - Plug type: \varnothing 3.5 mm (1/8") stereo (not supplied)
- 2 Press [AUX] to select "AUX 2" and start playback on the connected device.

Connecting to an additional SC-CMAX5 unit

You can connect to play sound from this unit to an additional SC-CMAX5 unit.



- 1 Connect the additional SC-CMAX5 using an audio cable (not supplied).
- 2 On the additional SC-CMAX5 unit: Press [AUX] to select "AUX 1".
- 3 On this unit: Start your desired playback.



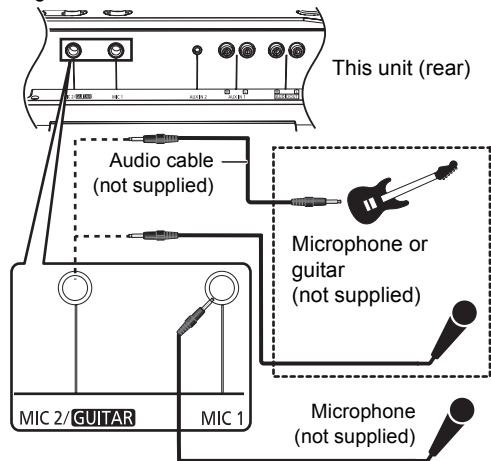
- The sound effect will be controlled separately by each unit. Make the same sound settings on the additional unit if necessary.

Using a microphone or guitar

Preparation

- Decrease the volume of the system to its minimum before you connect or disconnect a microphone or guitar.

e.g.



By the unit only

- 1 Connect a microphone or guitar.
 - Plug type: \varnothing 6.3 mm (1/4") monaural
 - When connecting a guitar, ensure to connect it to MIC 2/GUITAR jack.
- 2 (Only when MIC 2/GUITAR jack is connected) Push [MIC GUITAR] to select the correct input setting.

Each time you push the button, the button position will switch between pushed-down and released positions.

- When a guitar is connected: Ensure the button is at pushed-down position. (GUITAR)
 - When a microphone is connected: Ensure the button is at released position. (MIC)

Incorrect setting may cause the sound to be too loud or too soft.
- 3 Adjust the volume of the microphone or guitar.

For microphone 1: Turn [MIC1-VOL].
For microphone 2 or guitar: Turn [VOL-MIC2/GUITAR].
- 4 If you want to sing with the background music: Play the music source and adjust the volume of the system.
 - To sing along with the Karaoke features, refer to "Karaoke". (→ right)



- If a strange noise (howling) is emitted, move the microphone/guitar away from the speakers, or decrease the volume of the microphone/guitar.
- Set the microphone/guitar volume to "MIN", and disconnect the microphone/guitar after use.

Karaoke

You can use Karaoke features such as vocal cancel, echo or key control.

Preparation

- Get your microphone(s) and music source ready for singing along. (→ left)

By the unit only

- 1 Set [MIC GUITAR] to the released position (MIC).

Each time you push the button, the button position will switch between pushed-down and released positions.
- 2 Turn on the Karaoke mode by pressing [KARAOKE] to select "ON KARAOKE".
 - To cancel, select "OFF KARAOKE".
- 3 Press [VOCAL CANCEL/ECHO/KEY-CON] repeatedly to show the current setting of vocal cancel, echo or key control.
- 4 (While the current setting is shown) Press [◀◀/▶▶] or [▶▶/▶▶] to adjust the setting.

Vocal cancel	"OFF VOCAL CANCEL", "VOCAL CANCEL", "L" or "R"
Echo	"ECHO OFF", "ECHO 1", "ECHO 2" or "ECHO 3"
Key control	"KEYCON-6" to "KEYCON+6" <ul style="list-style-type: none"> • The setting will return to "KEYCON 0" when you change to another source.

- 5 Start your Karaoke performance.



- The Karaoke function will be canceled when:
 - you turn on DJ jukebox.
 - you set [MIC GUITAR] to the pushed-down position (GUITAR).
 - you switch off the system.

Others

Auto off function

This function automatically switches off the system when you do not use it for approximately 20 minutes.

- 1 Press [SETUP] repeatedly to select "AUTO OFF".
- 2 Press [**▲**, **▼**] to select "ON" and then press [OK].



- To turn the function off, select "OFF" in step 2.
- When connected to a Bluetooth® device, the function does not work.

Bluetooth® standby

When "SC-CMAX5" is selected from a paired Bluetooth® device's Bluetooth® menu, this unit will turn on automatically from standby mode and establish a Bluetooth® connection.

- 1 Press [SETUP] repeatedly to select "BLUETOOTH STANDBY".
- 2 Press [**▲**, **▼**] to select "ON" and then press [OK].



- To turn the function off, select "OFF" in step 2.

Software update

Occasionally, Panasonic may release updated software for this unit that may add or improve the way a feature operates. These updates are available free of charge.

For more details, refer to the following website.

<http://panasonic.jp/support/global/cs/>

(This site is in English only.)

Checking the software version

The version of the installed software is displayed.

Press [SETUP] repeatedly to select "SW VER." and then press [OK].

- Press [OK] to exit.

Remote control code

When other Panasonic equipment responds to the supplied remote control, change the remote control code.

Preparation

Press [AUX] to select "AUX 1" or "AUX 2".

To set the code to "REMOTE 2"

- 1 While pressing and holding [USB] on the unit, press and hold [AUX] on the remote control until the unit's display shows "REMOTE 2".
- 2 Press and hold [OK] and [USB] on the remote control for at least 4 seconds.

To set the code to "REMOTE 1"

- 1 While pressing and holding [USB] on the unit, press and hold [USB] on the remote control until the unit's display shows "REMOTE 1".
- 2 Press and hold [OK] and [**Ⓜ**] on the remote control for at least 4 seconds.

Troubleshooting

Before requesting service, make the following checks. If you are uncertain about some of the check points, or if the solutions indicated in the following guide does not resolve the issue, then consult your dealer for instructions.

To return all settings to the factory defaults

When the following situations occur, reset the memory:

- There is no response when buttons are pressed.
 - You want to clear and reset the memory contents.
- ① Disconnect the AC power supply cord. (Wait for at least 3 minutes before proceeding to step ②.)
 - ② While pressing and holding down [⏻/⏪] on the unit, reconnect the AC power supply cord.
 - Keep holding down [⏻/⏪] until "-----" appears on the display.
 - ③ Release [⏻/⏪].



- All the settings are returned to the factory defaults. You will need to reset the memory items.

General

Humming heard during playback.

- If an AC power supply cord or fluorescent lights are near the cords, then keep other appliances and cords away from the cables.

The unit does not work.

- One of the unit's safety devices may have been activated.

Reset the unit as follows:

- ① Press [⏻/⏪] on the unit to switch the unit to standby.
 - If the unit does not switch to standby, press [⏻/⏪] on the unit for approximately 10 seconds. The unit is forcibly switched to standby. Alternatively, disconnect the AC power supply cord, wait for at least 3 minutes, then reconnect it.
- ② Press [⏻/⏪] on the unit to switch it on. If the unit still cannot be operated, consult the dealer.

The display panel lights up and changes continuously in standby mode.

- Press and hold [■] on the unit to select "DEMO OFF".

Sound is distorted or no sound.

- Adjust the volume of the system.
- Switch off the system, determine and correct the cause, then switch the system on again. It can be caused by straining of the speakers through excessive volume or power, and when using the system in a hot environment.

The sound level reduces.

- The protection circuit has been activated due to the continuous use at high volume output. This is to protect the system and maintain the sound quality.

Remote control

The remote control does not work properly.

- The battery is depleted or inserted incorrectly. (→ 6)

USB

No response when [▶/⏸] is pressed.

- Disconnect the USB device and then reconnect it. Alternatively, turn the unit off and on again.

The USB device or its contents cannot be read.

- The USB device format or its contents is/are not compatible with the unit (→ 3).
- The USB host function of this product may not work with some USB devices.

Slow operation of the USB device.

- Large file size or high memory USB device takes longer time to read.

The elapsed time displayed is different from the actual play time.

- Copy the data to another USB device or backup the data and reformat the USB device.

Bluetooth®

Pairing cannot be completed.

- Check the Bluetooth® device condition.

The device cannot be connected.

- The pairing of the device was unsuccessful or the registration has been replaced. Try re-pairing the device. (→ 8)
- This unit might be connected to a different device. Disconnect the other device and try re-pairing the device. (→ 8)
- If the problem persists, turn the unit off and on, then try again.

The device is connected, but audio cannot be heard through this unit.

- For some built-in Bluetooth® devices, you have to set the audio output to "SC-CMAX5" manually. Read the operating instructions for the device for details.

The sound is interrupted.

- The device is out of the 10 m (33 ft) communication range. Place the Bluetooth® device closer to this unit.
- Remove any interference between this unit and the device.
- Other devices that use the 2.4 GHz frequency band, such as wireless routers, microwaves, cordless phones, etc. are interfering. Place the Bluetooth® device closer to this unit and distance it from the other devices.
- Select "MODE 1" for stable communication. (→ 9)

Messages

The following messages or service numbers may appear on the unit's display.

"A NO DEV"

"B NO DEV"

- The USB device is not inserted correctly. Read the instructions and try again (→ 8).

"ADJUST CLOCK"

- Clock is not set. Adjust the clock accordingly.

"ADJUST TIMER"

- The play timer is not set. Adjust the play timer accordingly.

"AUTO OFF" (blinks)

- The unit has been left unused for about 20 minutes and will shut down within a minute. Press any button to cancel it.

"ERROR"

- Incorrect operation is performed. Read the instructions and try again.

"F□□" ("□" stands for a number.)

- There is a problem with this unit.
- Write down the displayed number, disconnect the AC power supply cord and consult your dealer.

"GUITAR SWITCH ON"

- You cannot use the Karaoke function when [■ MIC ■ GUITAR] is at the pushed-down position. Change it to the released position. (→ 14)

“INVALID”

- You cannot select the vocal cancel, echo and key control when the Karaoke mode is off.
Press [KARAOKE] on the unit to select “ON KARAOKE”. (→ 14)

“NO PLAY”

“UNSUPPORT”

- Examine the content. You can only play supported format. (→ 3)
- The files in the USB device can be corrupted.
Format the USB device and try again.
- The unit may have a problem. Turn the unit off and then on again.

“NO TRACK”

- There is no album or track in the USB device.

“PLAYERROR”

- You played an unsupported MP3 file. The system will skip that track and play the next one.

“REMOTE □” (“□” stands for a number.)

- The remote control and this unit are using different codes. Change the code on the remote control.
 - When “REMOTE 1” is displayed, press and hold [OK] and [Ⓜ] on the remote control for at least 4 seconds.
 - When “REMOTE 2” is displayed, press and hold [OK] and [USB] on the remote control for at least 4 seconds.

“TEMP NG”

- The temperature protection circuit has been activated, and the system will switch off. Let the unit cool down before switching it on again.
- Check that the ventilation opening of the unit is not obstructed.
- Ensure this unit is well ventilated.

“USB OVER CURRENT ERROR”

- The USB device is drawing too much power.
Remove the USB device and turn the unit off.

“VBR”

- The system cannot show the remaining play time for variable bit rate (VBR) tracks.

Specifications

■ GENERAL

Power consumption	92 W
Power consumption in standby mode	Approx. 0.4 W
(When "BLUETOOTH STANDBY" is "ON")	Approx. 0.5 W
Power supply	AC 120 V, 60 Hz

Dimension (W×H×D)*

378 mm×724 mm×436 mm
(14 7/8"×28 1/2"×17 5/32")

Mass (Weight) Approx. 19.8 kg (43.7 lbs)

Operating temperature range
0 °C to +40 °C (+32 °F to +104 °F)

Operating humidity range
35 % to 80 % RH (no condensation)

■ AMPLIFIER SECTION

Output power

RMS Output Power Mono mode

Front High ch

300 W per channel (3 Ω), 10 kHz, 30 % THD

Front Mid ch

300 W per channel (3 Ω), 1 kHz, 30 % THD

Subwoofer Ch

400 W per channel (2 Ω), 100 Hz, 30 % THD

Total RMS Mono mode power

1000 W (30 % THD)

FTC Output Power Mono mode

Front High ch

180 W per channel (3 Ω), 5 kHz to 20 kHz, 1 % THD

Front Mid ch

180 W per channel (3 Ω), 200 Hz to 10 kHz, 1 % THD

Low ch

270 W per channel (2 Ω), 80 Hz to 300 Hz, 1 % THD

Total FTC Mono mode power

630 W

■ TERMINAL SECTION

USB Port

USB Standard USB 2.0 full speed

Media file format support

MP3 (*.mp3)

USB device file system

FAT12, FAT16, FAT32

USB port power

500 mA (max)

Microphone jack/Guitar jack (2 systems)

Mic 1

Mono, 6.3 mm (1/4") jack

Mic 2/Guitar

Mono, 6.3 mm (1/4") jack

Audio Input

AUX IN 1

Stereo, Pin jack (1 system)

AUX IN 2

Stereo, 3.5 mm (1/8") jack

Audio Output (Line Out)

AUDIO OUT

Stereo, Pin jack (1 system)

■ BLUETOOTH® SECTION

Version

Bluetooth® Ver.2.1+EDR

Class

Class 2

Supported Profiles

A2DP, AVRCP, SPP

Operating Frequency

2.4 GHz band FH-SS

Operation Distance

10 m (33 ft) Line of sight

■ SPEAKER SECTION

Front High

Speaker unit(s)

Tweeter

6 cm (2 3/8") Cone type

Front Mid

Speaker unit(s)

Woofer

10 cm (4") Cone type × 2

Subwoofer

Speaker unit(s)

Superwoofer

25 cm (10") Cone type



- Specifications are subject to change without notice.
- Mass and dimensions are approximate.
- Total harmonic distortion is measured by a digital spectrum analyzer.

* Trolley handle at fully pushed-down position

Limited Warranty (ONLY FOR U.S.A.)

Panasonic Products Limited Warranty

Limited Warranty Coverage (For USA Only)

If your product does not work properly because of a defect in materials or workmanship, Panasonic Corporation of North America (referred to as "the warrantor") will, for the length of the period indicated on the chart below, which starts with the date of original purchase ("warranty period"), at its option either (a) repair your product with new or refurbished parts, (b) replace it with a new or a refurbished equivalent value product, or (c) refund your purchase price. The decision to repair, replace or refund will be made by the warrantor.

Product or Part Name	Parts	Labor
Active Speaker System	1 Year	1 Year
All included Accessories (Except Non-Rechargeable Batteries)	90 Days	Not Applicable
Only Non-Rechargeable Batteries	10 Days	Not Applicable

During the "Labor" warranty period there will be no charge for labor. During the "Parts" warranty period, there will be no charge for parts. This Limited Warranty excludes both parts and labor for non-rechargeable batteries, antennas, and cosmetic parts (cabinet). This warranty only applies to products purchased and serviced in the United States. This warranty is extended only to the original purchaser of a new product which was not sold "as is".

Mail-In Service--Online Repair Request

Online Repair Request

To submit a new repair request and for quick repair status visit our Web Site at <http://shop.panasonic.com/support>

When shipping the unit, carefully pack, include all supplied accessories listed in the Owner's Manual, and send it prepaid, adequately insured and packed well in a carton box. When shipping Lithium Ion batteries please visit our Web Site at <http://shop.panasonic.com/support> as Panasonic is committed to providing the most up to date information. Include a letter detailing the complaint, a return address and provide a daytime phone number where you can be reached. A valid registered receipt is required under the Limited Warranty.

IF REPAIR IS NEEDED DURING THE WARRANTY PERIOD, THE PURCHASER WILL BE REQUIRED TO FURNISH A SALES RECEIPT/ PROOF OF PURCHASE INDICATING DATE OF PURCHASE, AMOUNT PAID AND PLACE OF PURCHASE. CUSTOMER WILL BE CHARGED FOR THE REPAIR OF ANY UNIT RECEIVED WITHOUT SUCH PROOF OF PURCHASE.

Limited Warranty Limits and Exclusions

This warranty ONLY COVERS failures due to defects in materials or workmanship, and DOES NOT COVER normal wear and tear or cosmetic damage. The warranty ALSO DOES NOT COVER damages which occurred in shipment, or failures which are caused by products not supplied by the warrantor, or failures which result from accidents, misuse, abuse, neglect, mishandling, misapplication, alteration, faulty installation, set-up adjustments, misadjustment of consumer controls, improper maintenance, power line surge, lightning damage, modification, introduction of sand, humidity or liquids, commercial use such as hotel, office, restaurant, or other business or rental use of the product, or service by anyone other than a Factory Service Center or other Authorized Servicer, or damage that is attributable to acts of God.

THERE ARE NO EXPRESS WARRANTIES EXCEPT AS LISTED UNDER "LIMITED WARRANTY COVERAGE". THE WARRANTOR IS NOT LIABLE FOR INCIDENTAL OR CONSEQUENTIAL DAMAGES RESULTING FROM THE USE OF THIS PRODUCT, OR ARISING OUT OF ANY BREACH OF THIS WARRANTY. (As examples, this excludes damages for lost time, travel to and from the servicer, loss of or damage to media or images, data or other memory or recorded content. The items listed are not exclusive, but for illustration only.) **ALL EXPRESS AND IMPLIED WARRANTIES, INCLUDING THE WARRANTY OF MERCHANTABILITY, ARE LIMITED TO THE PERIOD OF THE LIMITED WARRANTY.**

Some states do not allow the exclusion or limitation of incidental or consequential damages, or limitations on how long an implied warranty lasts, so the exclusions may not apply to you.

This warranty gives you specific legal rights and you may also have other rights which vary from state to state. If a problem with this product develops during or after the warranty period, you may contact your dealer or Service Center. If the problem is not handled to your satisfaction, then write to:

Consumer Affairs Department
Panasonic Corporation of North America
661 Independence Pkwy
Chesapeake, VA 23320

PARTS AND SERVICE, WHICH ARE NOT COVERED BY THIS LIMITED WARRANTY, ARE YOUR RESPONSIBILITY.

Shop Accessories!

for all your Panasonic gear

Go to

<http://shop.panasonic.com/support>

Get everything you need to get the most out of your Panasonic products Accessories & Parts for your Camera, Phone, A/V products, TV, Computers & Networking, Personal Care, Home Appliances, Headphones, Batteries, Backup Chargers & more...

Customer Services Directory

For Product Information, Operating Assistance, Parts, Owner's Manuals, Dealer and Service info go to <http://shop.panasonic.com/support>

For the hearing or speech impaired TTY: 1- 877-833-8855

As of June 2015

The model number and serial number of this product can be found on either the back or the bottom of the unit. Please note them in the space provided below and keep for future reference.

MODEL NUMBER SC-CMAX5
SERIAL NUMBER _____

User memo:

DATE OF PURCHASE _____
DEALER NAME _____
DEALER ADDRESS _____
TELEPHONE NUMBER _____

Limited Warranty (ONLY FOR CANADA)

Panasonic Canada Inc.
5770 Ambler Drive, Mississauga, Ontario L4W 2T3

PANASONIC PRODUCT - LIMITED WARRANTY

Panasonic Canada Inc. warrants this product to be free from defects in material and workmanship under normal use and for a period as stated below from the date of original purchase agrees to, at its option either (a) repair your product with new or refurbished parts, (b) replace it with a new or a refurbished equivalent value product, or (c) refund your purchase price. The decision to repair, replace or refund will be made by Panasonic Canada Inc.

Panasonic BD/DVD Product	One (1) year, parts and labour
Panasonic Audio Receivers	One (1) year, parts and labour
Home Theater Systems Product	One (1) year, parts and labour

This warranty is given only to the original purchaser, or the person for whom it was purchased as a gift, of a Panasonic brand product mentioned above sold by an authorized Panasonic dealer in Canada and purchased and used in Canada, which product was not sold "as is", and which product was delivered to you in new condition in the original packaging.

IN ORDER TO BE ELIGIBLE TO RECEIVE WARRANTY SERVICE HEREUNDER, A PURCHASE RECEIPT OR OTHER PROOF OF DATE OF ORIGINAL PURCHASE, SHOWING AMOUNT PAID AND PLACE OF PURCHASE IS REQUIRED

LIMITATIONS AND EXCLUSIONS

This warranty ONLY COVERS failures due to defects in materials or workmanship, and DOES NOT COVER normal wear and tear or cosmetic damage. The warranty ALSO DOES NOT COVER damages which occurred in shipment, or failures which are caused by products not supplied by Panasonic Canada Inc., or failures which result from accidents, misuse, abuse, neglect, mishandling, misapplication, alteration, faulty installation, set-up adjustments, misadjustment of consumer controls, improper maintenance, power line surge, lightning damage, modification, introduction of sand, humidity or liquids, commercial use such as hotel, office, restaurant, or other business or rental use of the product, or service by anyone other than an Authorized Servicer, or damage that is attributable to acts of God.

Dry cell batteries are also excluded from coverage under this warranty.

THIS EXPRESS, LIMITED WARRANTY IS IN LIEU OF ALL OTHER WARRANTIES, EXPRESS OR IMPLIED, INCLUDING ANY IMPLIED WARRANTIES OF MERCHANTABILITY AND FITNESS FOR A PARTICULAR PURPOSE. IN NO EVENT WILL PANASONIC CANADA INC. BE LIABLE FOR ANY SPECIAL, INDIRECT OR CONSEQUENTIAL DAMAGES RESULTING FROM THE USE OF THIS PRODUCT OR ARISING OUT OF ANY BREACH OF ANY EXPRESS OR IMPLIED WARRANTY. (As examples, this warranty excludes damages for lost time, travel to and from the Authorized Servicer, loss of or damage to media or images, data or other memory or recorded content. This list of items is not exhaustive, but for illustration only.)

In certain instances, some jurisdictions do not allow the exclusion or limitation of incidental or consequential damages, or the exclusion of implied warranties, so the above limitations and exclusions may not be applicable. This warranty gives you specific legal rights and you may have other rights which vary depending on your province or territory.

WARRANTY SERVICE

For product operation, repairs and information assistance, please visit our Support page:
www.panasonic.ca/english/support

IF YOU SHIP THE PRODUCT TO A SERVICENTRE

Carefully pack and send prepaid, adequately insured and preferably in the original carton.
Include details of the defect claimed, and proof of date of original purchase.

**THE FOLLOWING APPLIES IN THE U.S.A.
AND CANADA**

This transmitter must not be co-located or operated in conjunction with any other antenna or transmitter.

This equipment complies with FCC/IC radiation exposure limits set forth for an uncontrolled environment and meets the FCC radio frequency (RF) Exposure Guidelines in Supplement C to OET65 and RSS-102 of the IC radio frequency (RF) Exposure rules. This equipment has very low levels of RF energy that is deemed to comply without maximum permissive exposure evaluation (MPE). But it is desirable that it should be installed and operated keeping the radiator at least 20 cm (7 7/8") or more away from person's body (excluding extremities: hands, wrists, feet and ankles).

**THE FOLLOWING APPLIES ONLY IN THE U.S.A.
FCC Note:**

This equipment has been tested and found to comply with the limits for a Class B digital device, pursuant to Part 15 of the FCC Rules.

These limits are designed to provide reasonable protection against harmful interference in a residential installation. This equipment generates, uses and can radiate radio frequency energy and, if not installed and used in accordance with the instructions, may cause harmful interference to radio communications.

However, there is no guarantee that interference will not occur in a particular installation. If this equipment does cause harmful interference to radio or television reception, which can be determined by turning the equipment off and on, the user is encouraged to try to correct the interference by one or more of the following measures:

- Reorient or relocate the receiving antenna.
- Increase the separation between the equipment and receiver.
- Connect the equipment into an outlet on a circuit different from that to which the receiver is connected.
- Consult the dealer or an experienced radio/TV technician for help.

Any unauthorized changes or modifications to this equipment would void the user's authority to operate this device.

This device complies with Part 15 of the FCC Rules.

Operation is subject to the following two conditions:

- (1) This device may not cause harmful interference, and
- (2) this device must accept any interference received, including interference that may cause undesired operation.

Responsible Party:

Panasonic Corporation of North America
Two Riverfront Plaza, Newark, NJ 07102-5490

Support Contact: <http://shop.panasonic.com/support>

THE FOLLOWING APPLIES ONLY IN CANADA

This device complies with RSS-210 of the IC Rules.

Operation is subject to the following two conditions:

- (1) This device may not cause harmful interference,
- (2) This device must accept any interference received, including interference that may cause undesired operation of this device.

Contains IC : 216A-B21R1401

THE FOLLOWING APPLIES ONLY IN CANADA

CAN ICES-3(B)/NMB-3(B)

THE FOLLOWING APPLIES ONLY IN CANADA

The device meets the exemption from the routine evaluation limits in section 2.5 of RSS 102 and compliance with RSS-102 RF exposure, users can obtain Canadian information on RF exposure and compliance.

Panasonic Corporation of North America

Two Riverfront Plaza, Newark, NJ 07102-5490

<http://shop.panasonic.com/>

Panasonic Canada Inc.

(En)

5770 Ambler Drive,
Mississauga, Ontario,
L4W 2T3

www.panasonic.com

© Panasonic Corporation 2015

Printed in Malaysia

RQT0A53-Y

F0615BM0