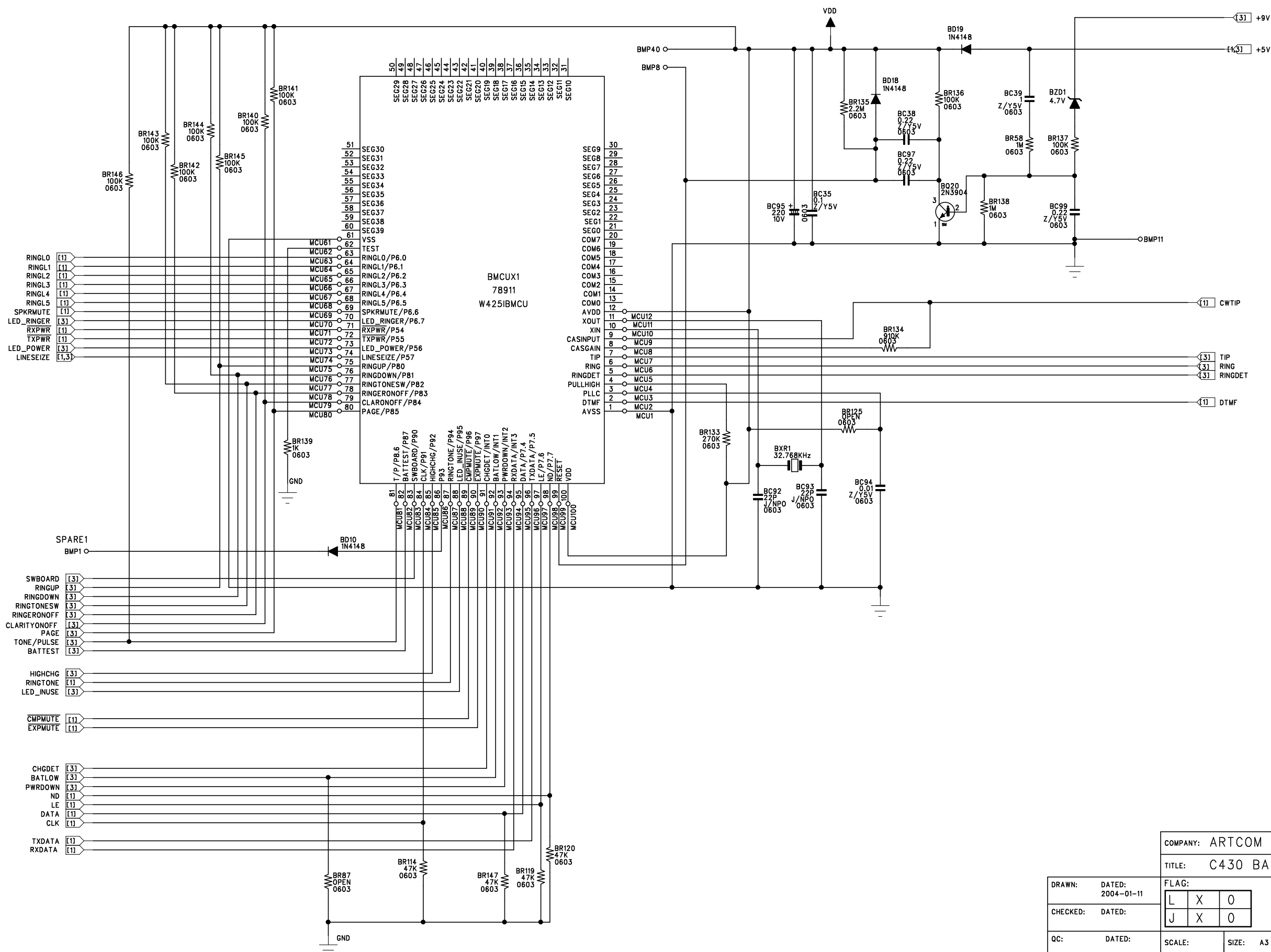


FCC PART 15

COMPANY: ARTCOM LIMITED	
TITLE: C430 BASE MAIN	
DRAWN:	DATED: 2004-01-11
CHECKED:	DATED:
QC:	DATED:
RELEASED:	DATED:
SCALE:	SIZE: A3
DRAWING NO:	REV: 0
SHEET: 1	OF 3

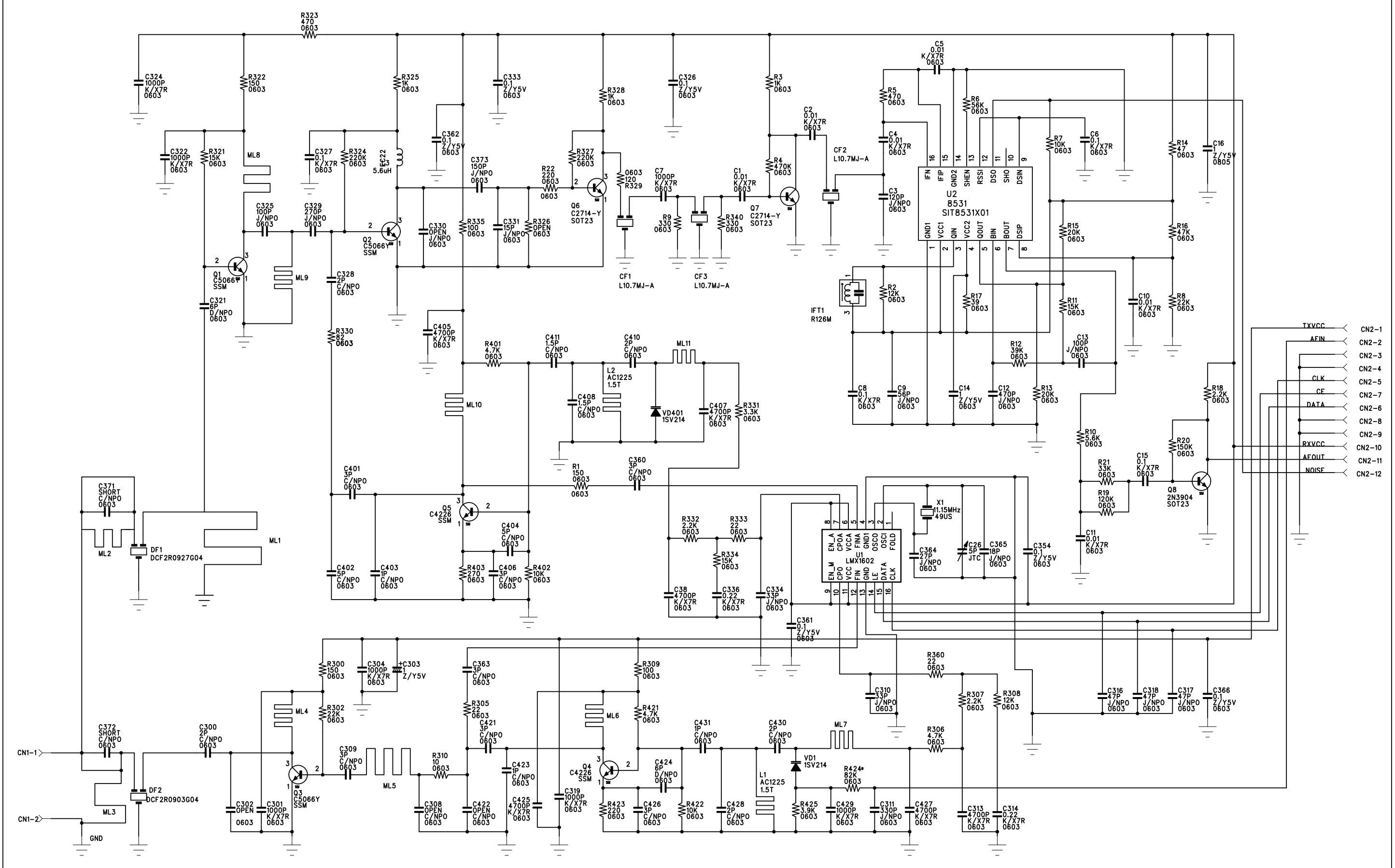
FLAG:	L	X	0
	J	X	0



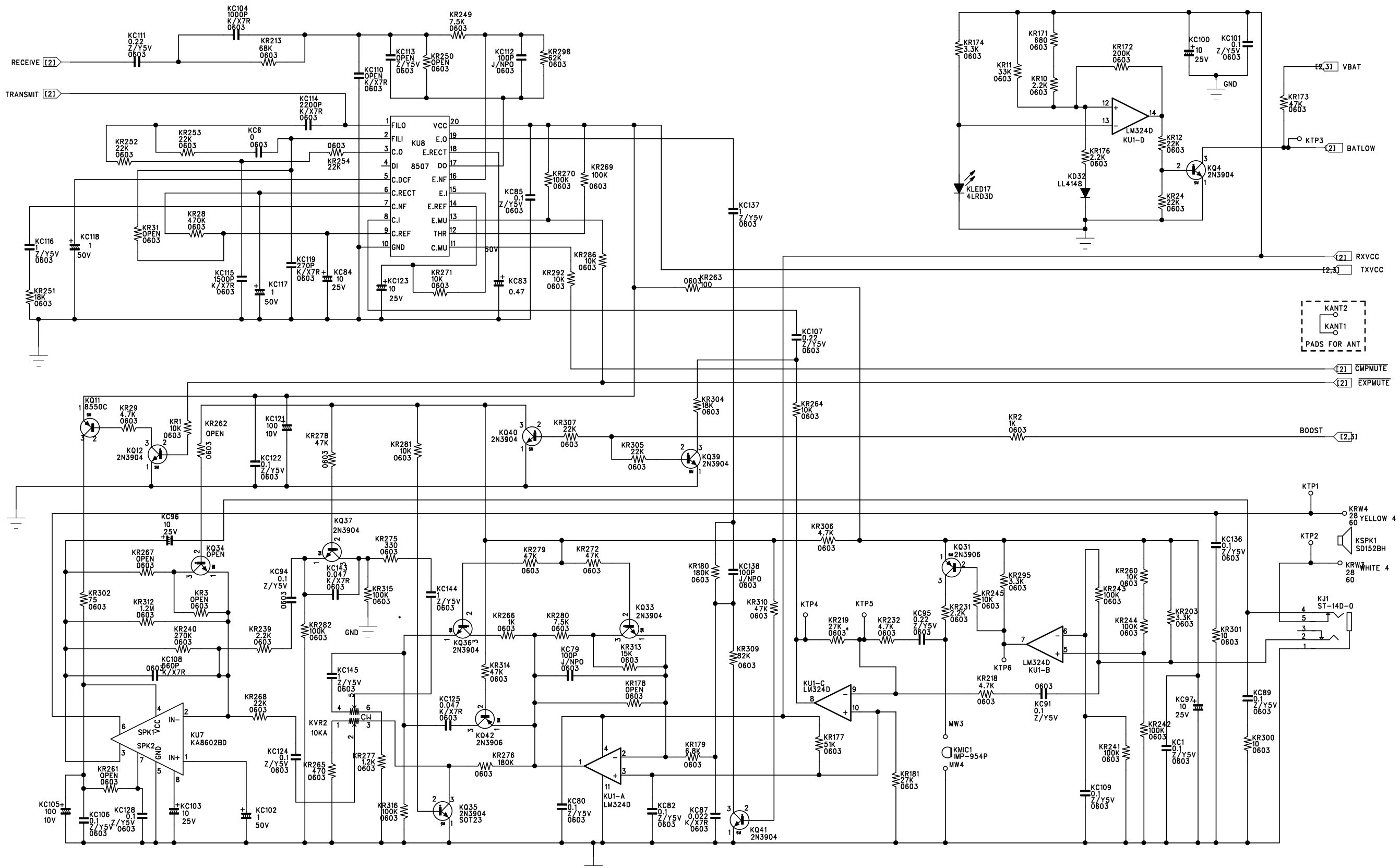
COMPANY: ARTCOM LIMITED
 TITLE: C430 BASE MAIN

DRAWN:	DATED:	FLAG:	
	2004-01-11	L	X
CHECKED:	DATED:	J	X
QC:	DATED:	SCALE:	SIZE: A3
RELEASED:	DATED:	DRAWING NO:	REV: 0
		SHEET: 2 OF 3	

FCC PART 15

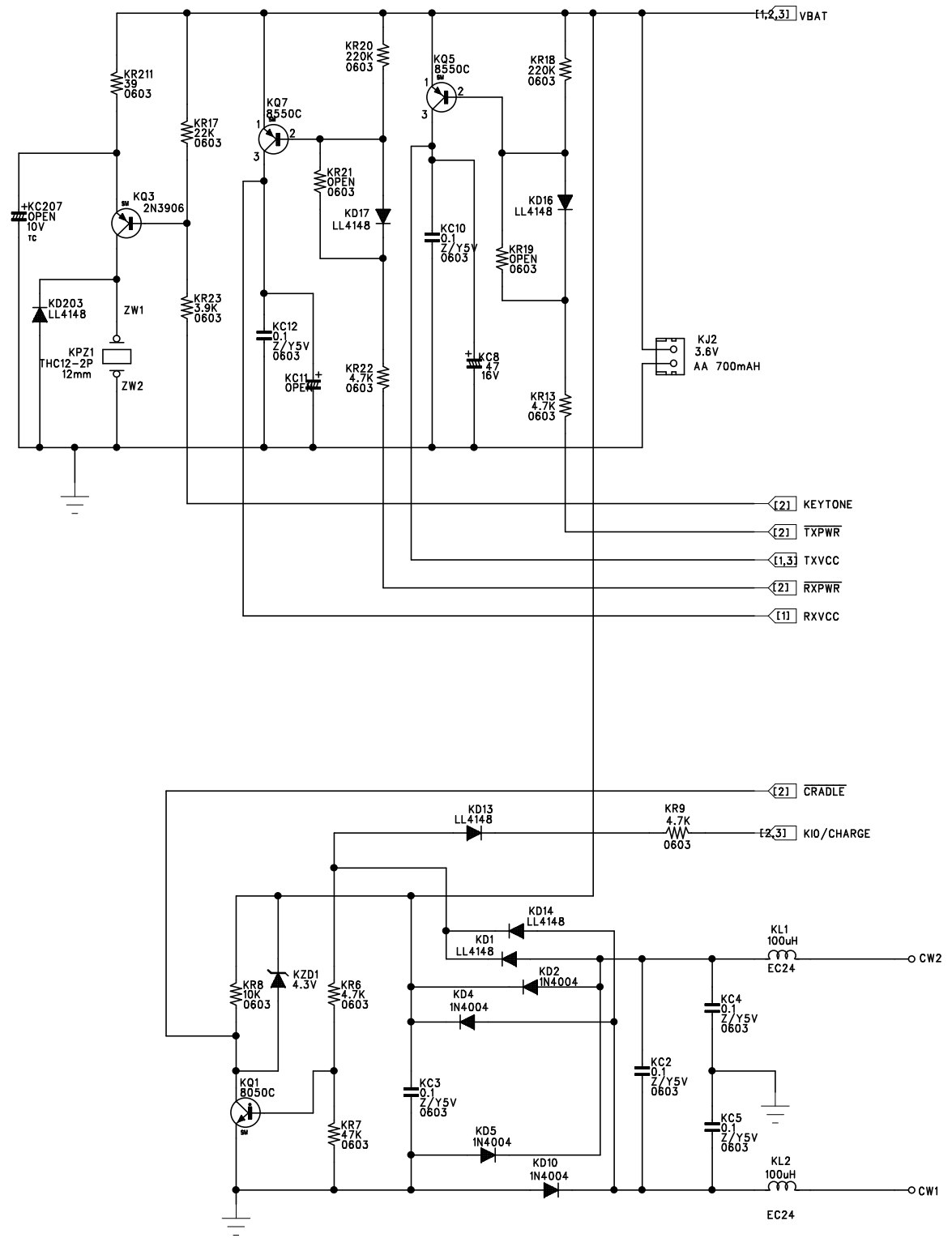
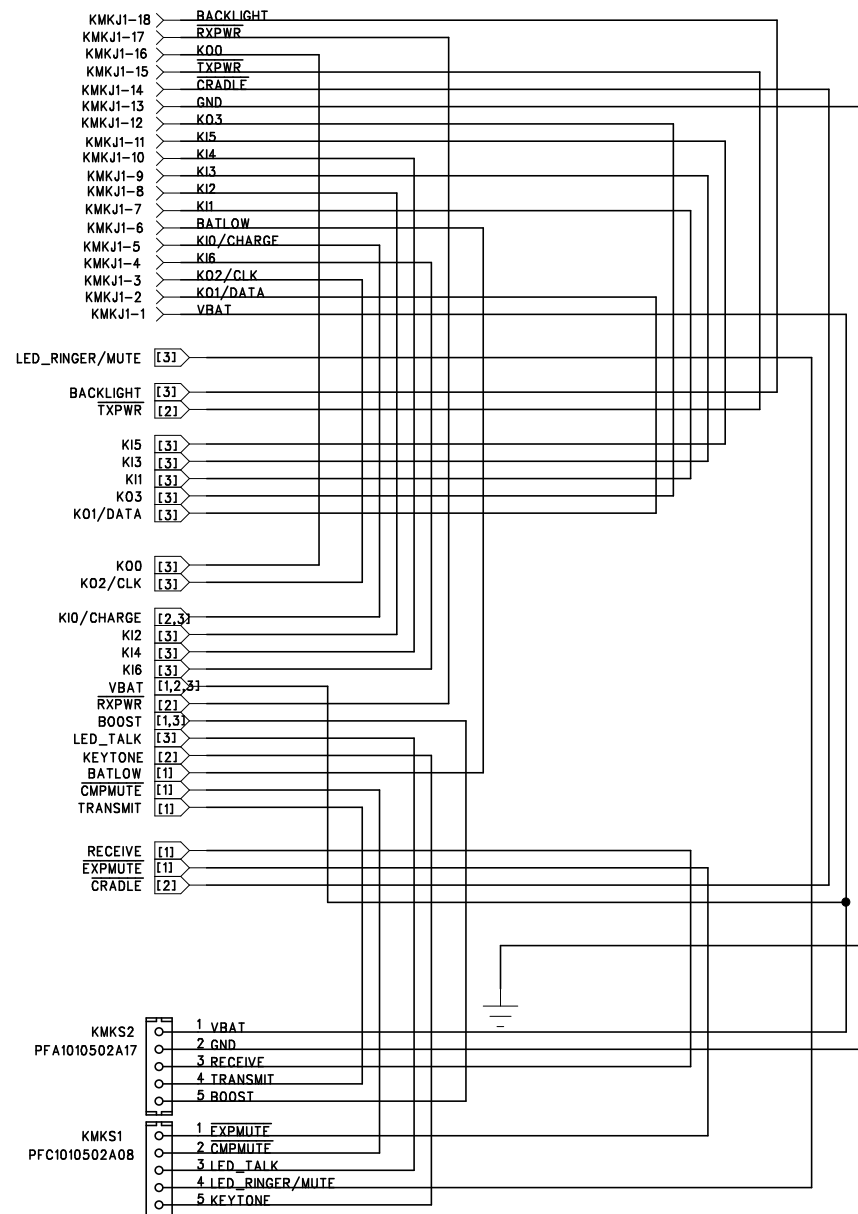


DRAWN: R & D	DATED: 27 DEC 02	COMPANY: ARTCOM LIMITED		
CHECKED:	DATED:	TITLE: ARTCOM RF MODULE(BASE)		
QUALITY CONTROL:	DATED:	PCB FILE: 900WBB.JOB & 900WBH.JOB		
RELEASED:	DATED:	SCALE:	SIZE: A3	REV:
		CODE:	DRAWING NO:	SHEET: OF



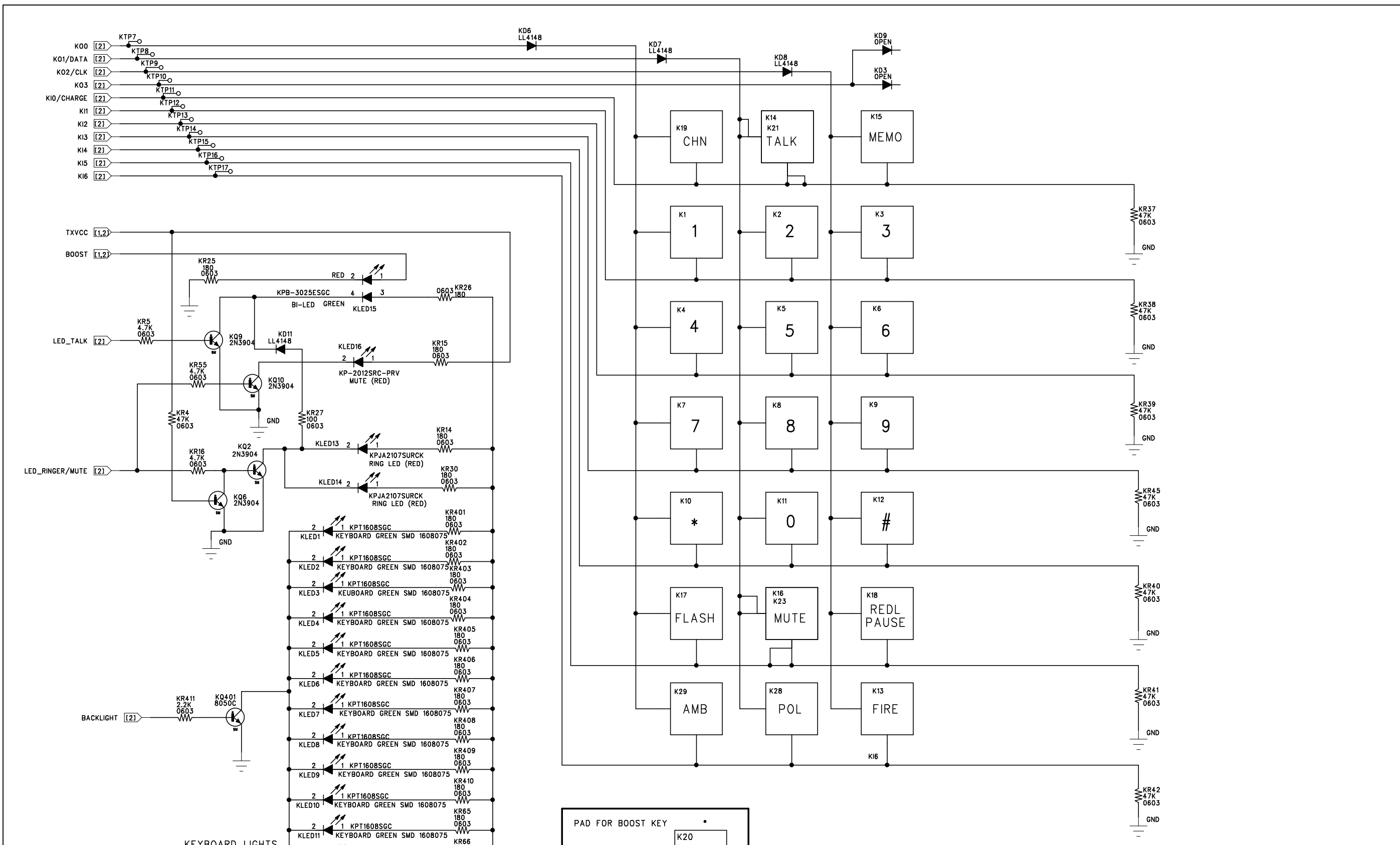
COMPANY: ARTCOM LIMITED	
TITLE: C430 HANDSET KEYBOARD	
DRAWN:	DATED: 2004-01-11
CHECKED:	DATED:
QUALITY CONTROL:	DATED:
RELEASED:	DATED:
FLAG:	PCB FILE:
L 1 0	C430xxxxxxx
J B 0	
SCALE:	SIZE: A3
REV: 0	
DRAWING NO:	SHEET: 1 OF 3

FCC PART 15



COMPANY: ARTCOM LIMITED	
TITLE: C430 HANDSET KEYBOARD	
DRAWN:	DATED: 2004-01-11
CHECKED:	DATED:
QUALITY CONTROL:	DATED:
RELEASED:	DATED:
FLAG:	PCB FILE:
L 1 0	C430xxxxxxxx
J B 0	
SCALE:	SIZE: A3
REV: 0	
DRAWING NO:	SHEET: 2 OF 3

FCC PART 15

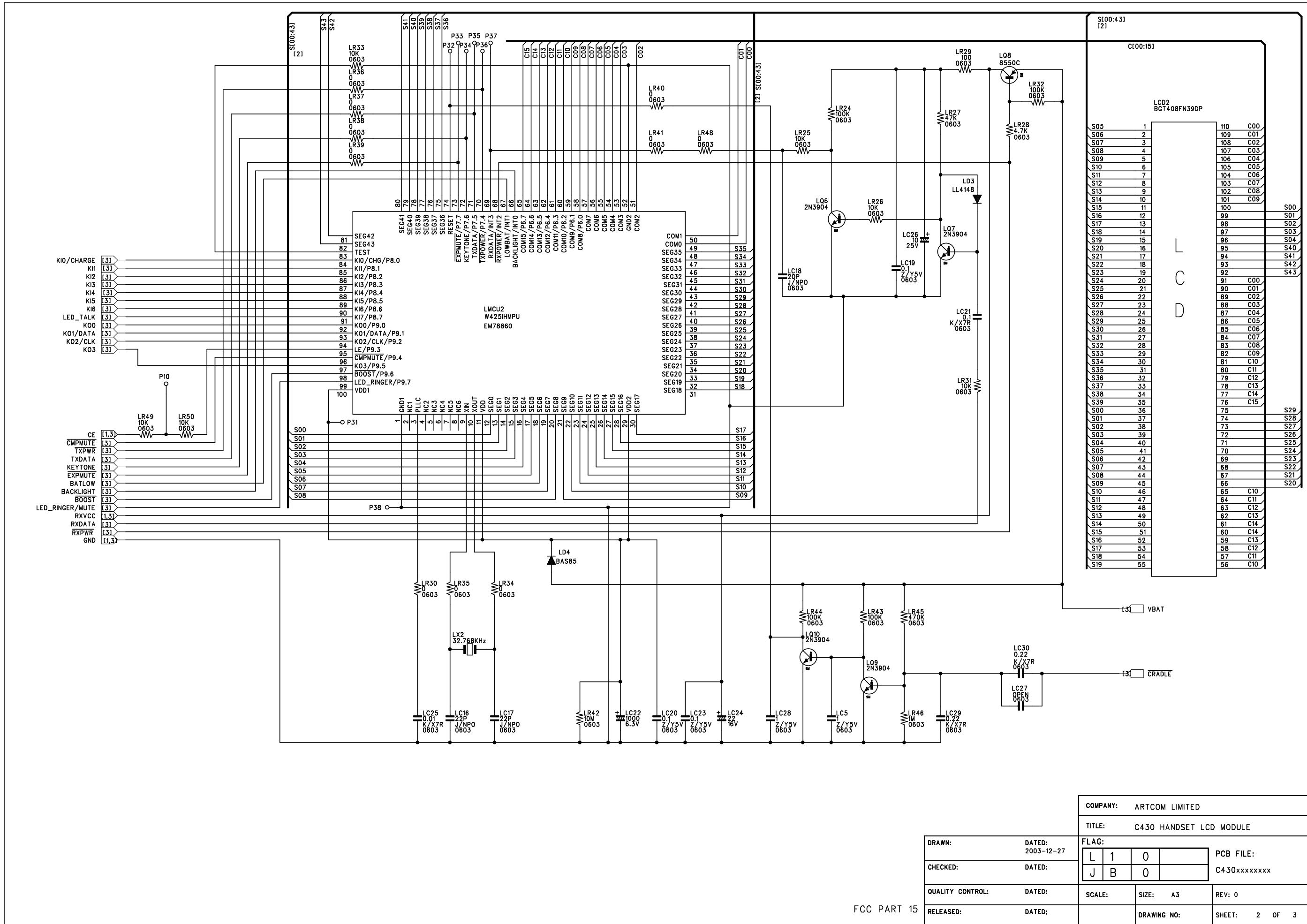


COMPANY: ARTCOM LIMITED

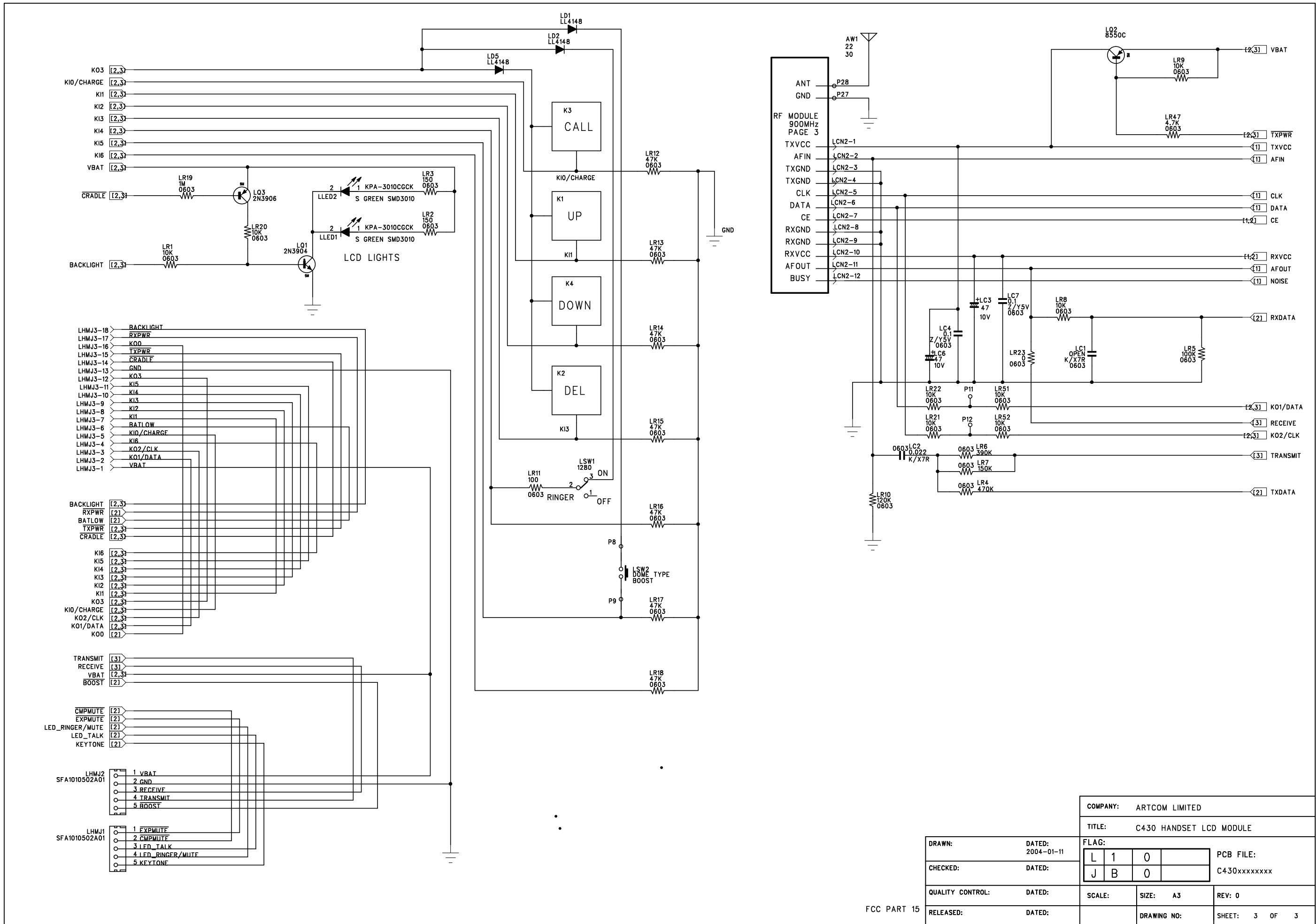
TITLE: C430 HANDSET KEYBOARD

DRAWN:	DATED: 2004-01-11	FLAG:	PCB FILE:	
CHECKED:	DATED:	L 1 0	C430xxxxxxxx	
QUALITY CONTROL:	DATED:	J B 0	SCALE:	SIZE: A3
RELEASED:	DATED:		REV: 0	
			DRAWING NO:	SHEET: 3 OF 3

FCC PART 15

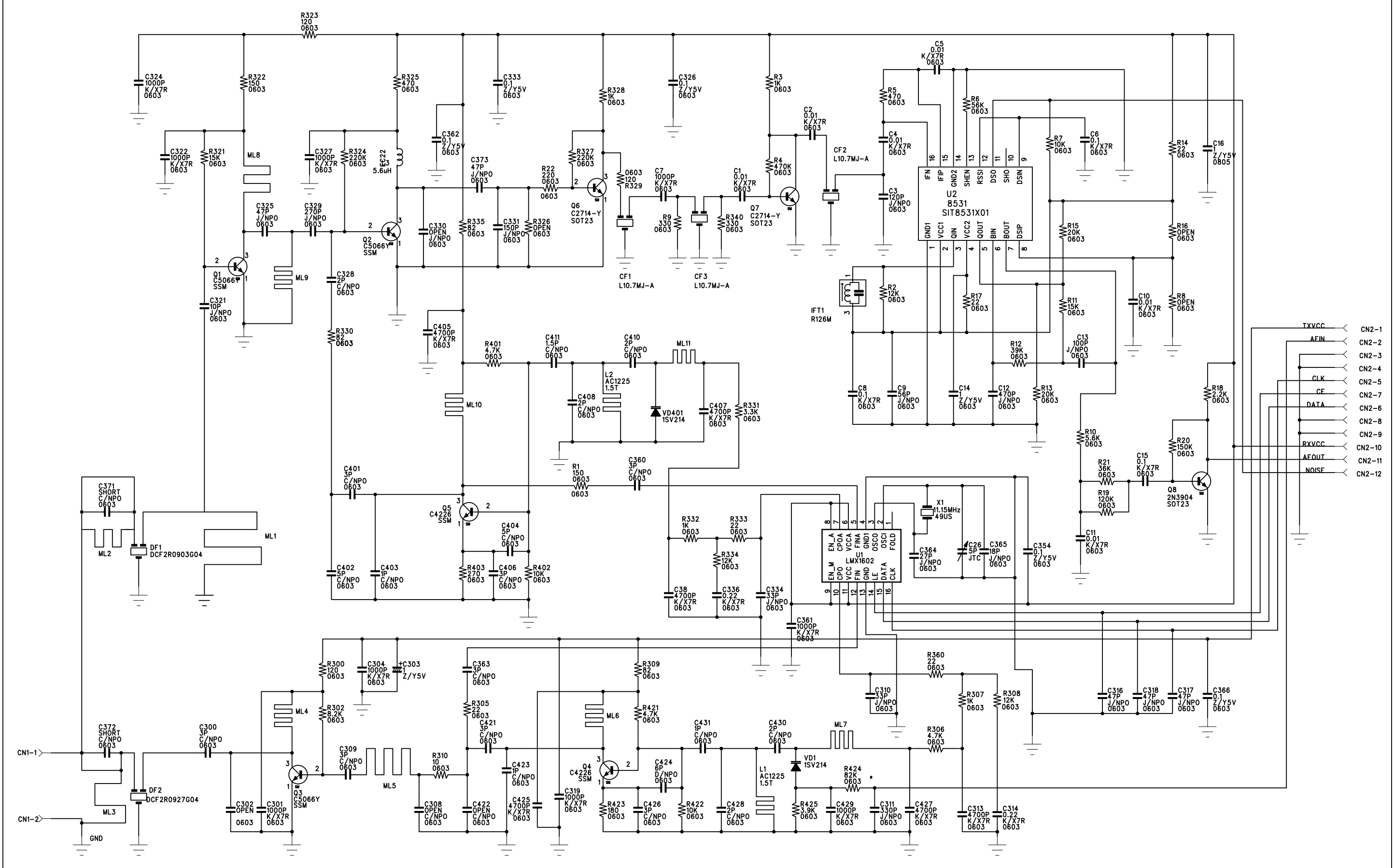


COMPANY: ARTCOM LIMITED		FLAG:		PCB FILE:	
TITLE: C430 HANDSET LCD MODULE		L 1 0		C430xxxxxxx	
DRAWN: DATED: 2003-12-27		J B 0		REV: 0	
CHECKED: DATED:		SCALE: SIZE: A3		DRAWING NO: SHEET: 2 OF 3	
QUALITY CONTROL: DATED:		RELEASED: DATED:		FCC PART 15	



COMPANY: ARTCOM LIMITED	
TITLE: C430 HANDSET LCD MODULE	
DRAWN: 2004-01-11	FLAG: L 1 0
CHECKED: DATED:	J B 0
QUALITY CONTROL: DATED:	SCALE: SIZE: A3
RELEASED: DATED:	REV: 0
DRAWING NO: SHEET: 3 OF 3	

FCC PART 15



- TXVCC CN2-1
- AFIN CN2-2
- CN2-3
- CLK CN2-4
- CF CN2-5
- DATA CN2-7
- CN2-8
- RXVCC CN2-9
- AFOUT CN2-10
- NOISE CN2-11
- CN2-12

DRAWN: R & D	DATED: 27 DEC 02	COMPANY: ARTCOM LIMITED	
CHECKED:	DATED:	TITLE: ARTCOM RF MODULE(HANDSET)	
QUALITY CONTROL:	DATED:	PCB FILE: 900WBB.JOB & 900WBH.JOB	
RELEASED:	DATED:	SCALE:	SIZE: A3
		CODE:	DRAWING NO: REV: OF