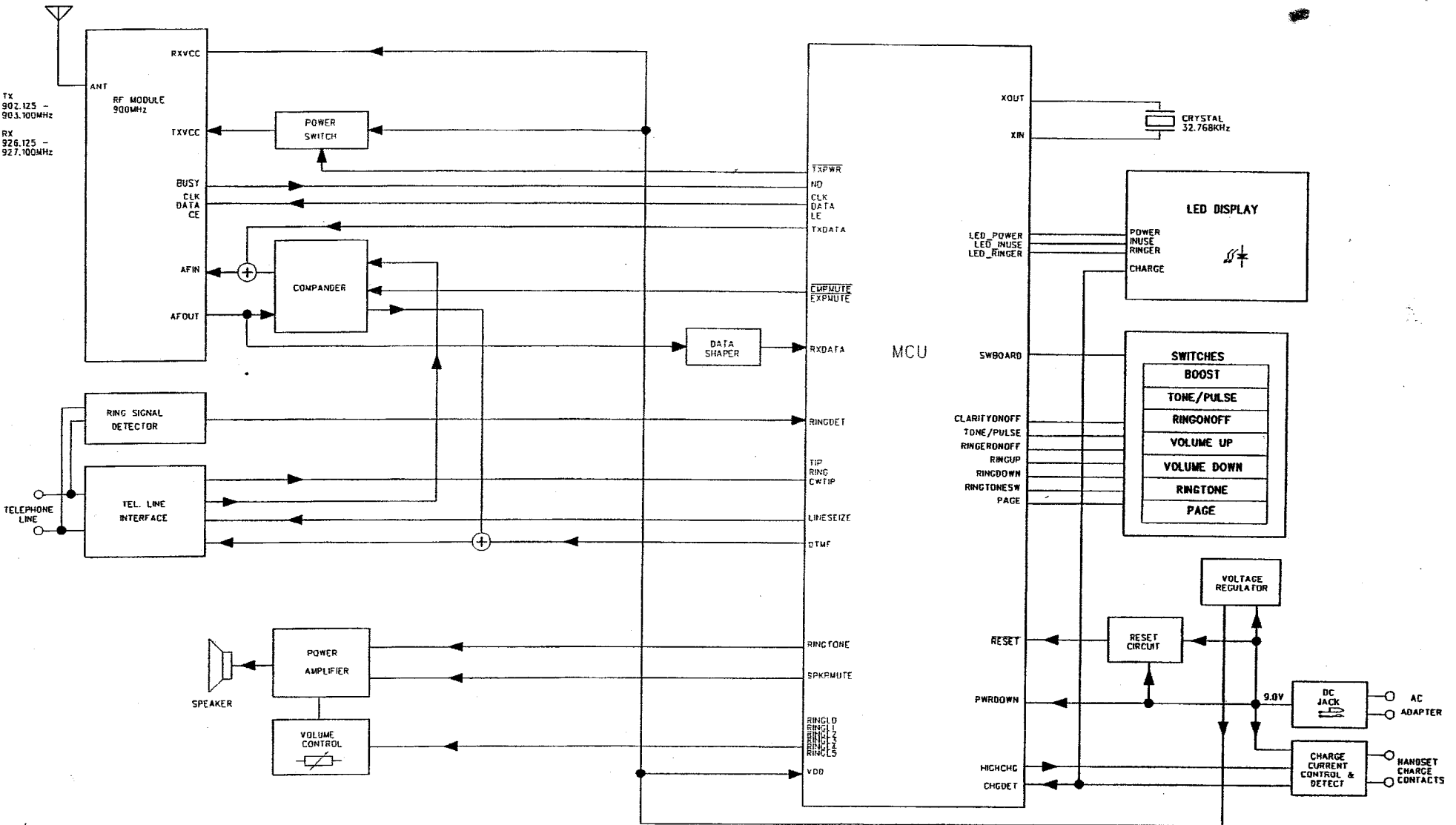


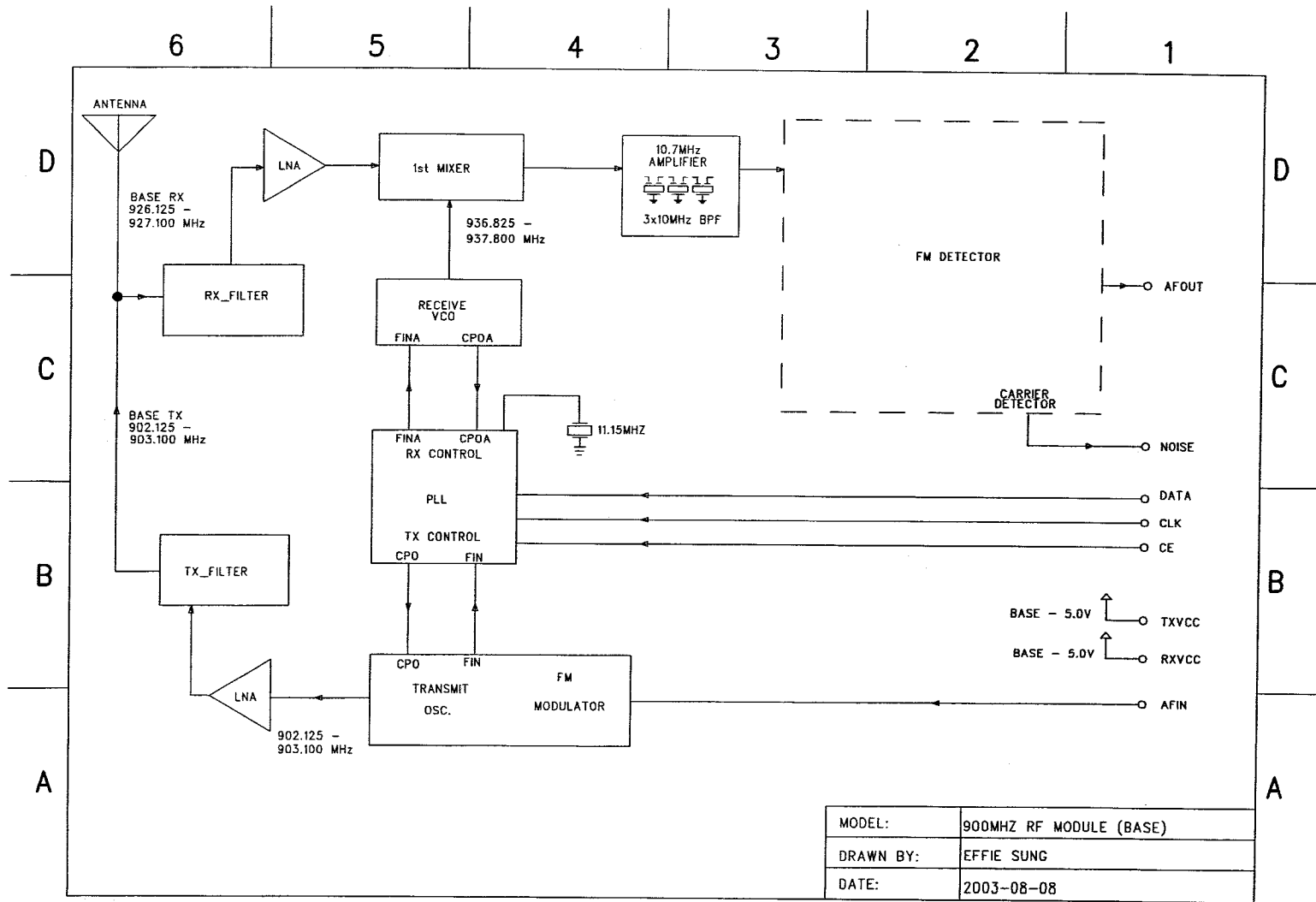
C430 Base Unit Block Diagram



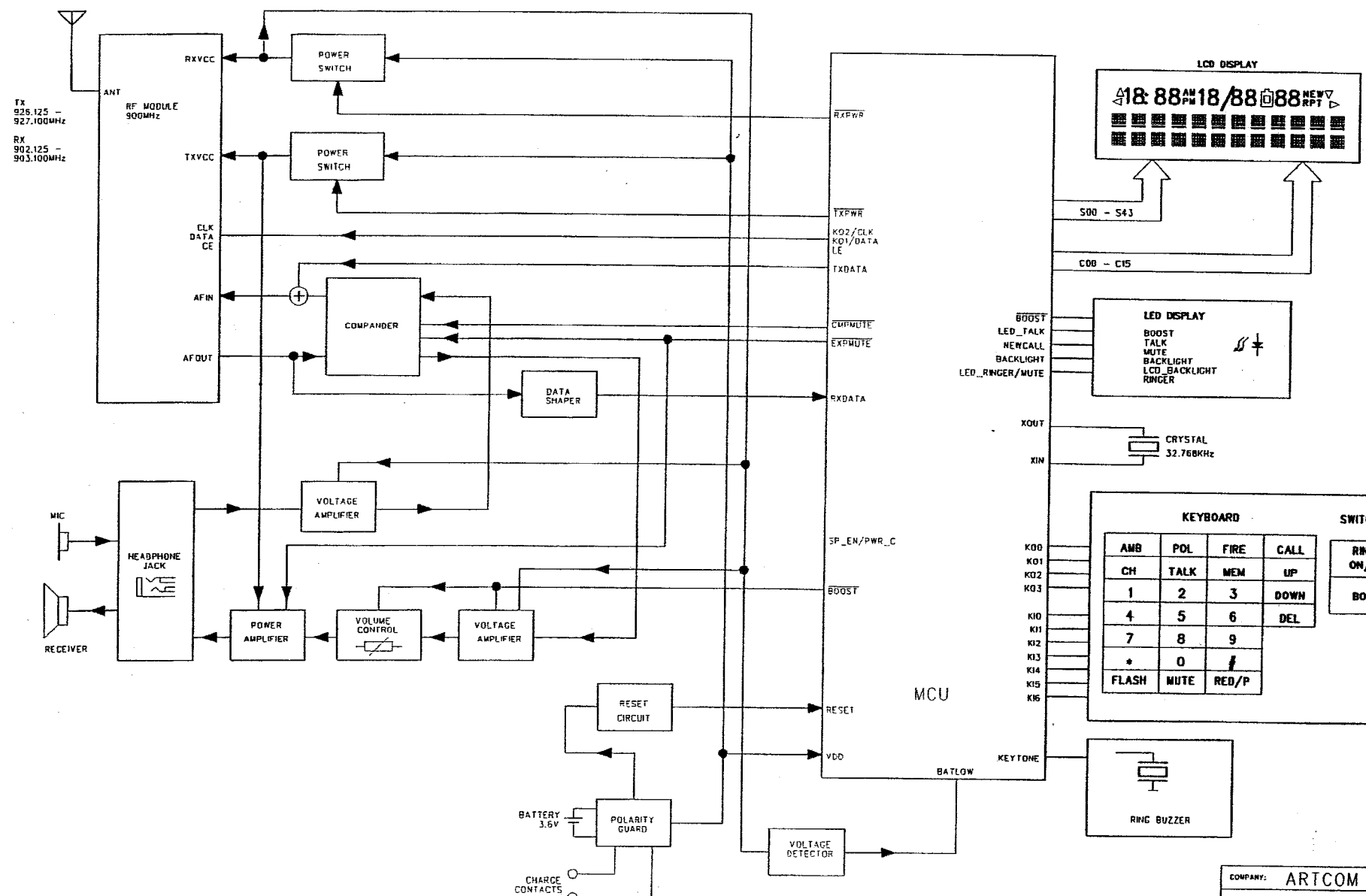
TX
902.125 -
903.100MHz

RX
926.125 -
927.100MHz

COMPANY: ARTCOM LIMITED							
TITLE: C430 BASE BLOCK DIAGRAM							
DRAWN:	DATED: 2003-12-27						
CHECKED:	DATED:						
QUALITY CONTROL:	DATED:						
RELEASED:	DATED:						
FLAG:	<table border="1"> <tr> <td>L</td> <td>X</td> <td>0</td> </tr> <tr> <td>J</td> <td>B</td> <td>0</td> </tr> </table>	L	X	0	J	B	0
L	X	0					
J	B	0					
SCALE:	SIZE: A3						
REV: 0	DRAWING NO:						
SHEET: 1	OF 1						

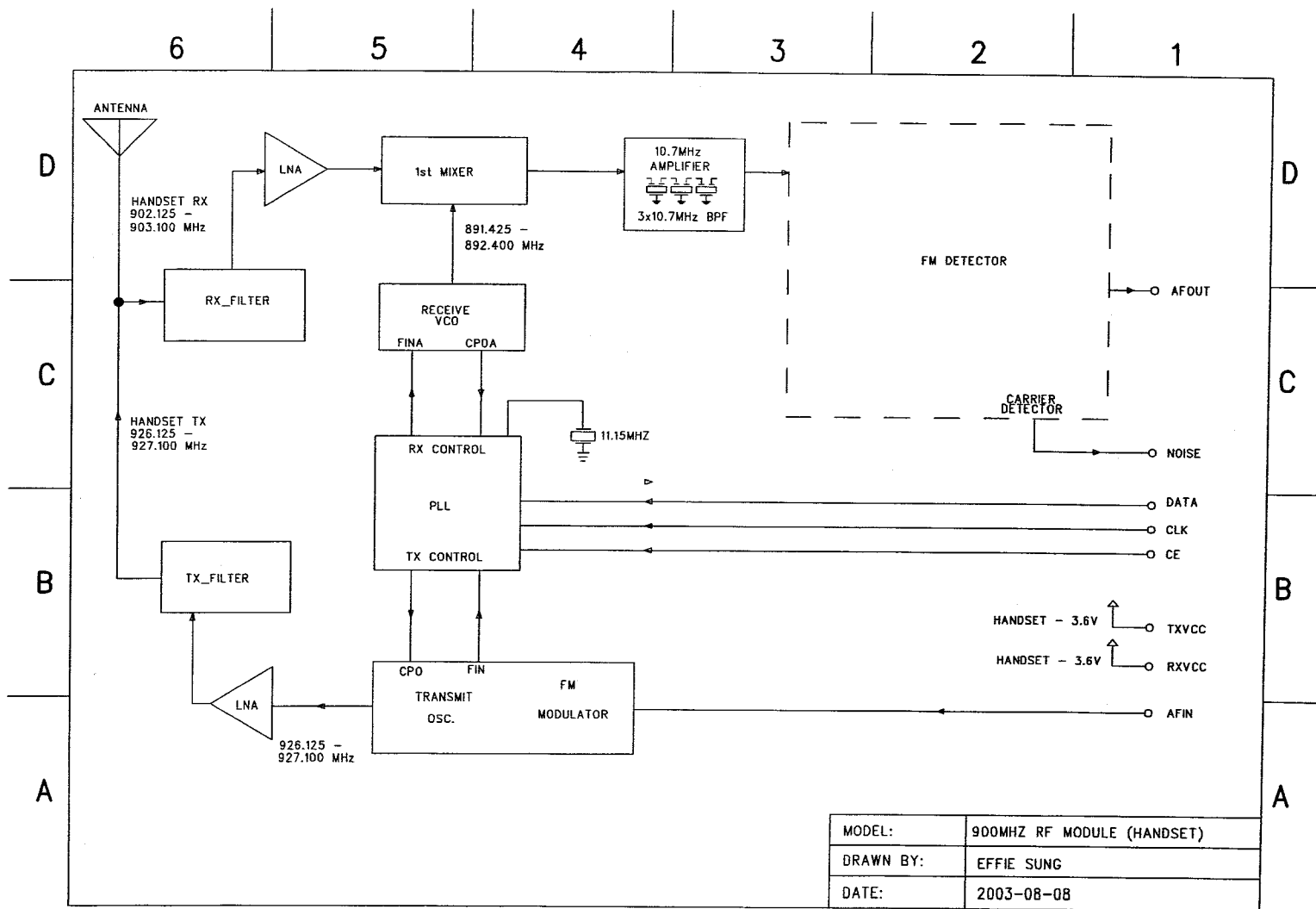


RF Module (Base) Block Diagram



COMPANY: ARTCOM LIMITED
 TITLE: C430 HANDSET BLOCK DIAGRAM

DRAWN:	DATED: 2003-12-27	FLAG:	L	X	0	
CHECKED:	DATED:		J	B	0	
QUALITY CONTROL:	DATED:	SCALE:	SIZE:	A3	REV:	0
RELEASED:	DATED:		DRAWING NO:		SHEET:	1 OF 1



RF Section (Handset) Block Diagram

MODEL:	900MHZ RF MODULE (HANDSET)
DRAWN BY:	EFFIE SUNG
DATE:	2003-08-08