



# FCC RADIO TEST REPORT

**FCC ID** : A4RGLBW0  
**Equipment** : Phone  
**Model Name** : GLBW0  
**Applicant** : Google LLC  
1600 Amphitheatre Parkway,  
Mountain View, CA, 94043 USA  
**Standard** : FCC 47 CFR Part 2, 22(H), 24(E), 27, Part 90(R), Part 90(S)

The product was received on Nov. 27, 2024 and testing was performed from Dec. 25, 2024 to Mar. 14, 2025. We, Sporton International Inc. EMC & Wireless Communications Laboratory, would like to declare that the tested sample has been evaluated in accordance with the test procedures and has been in compliance with the applicable technical standards.

The test results in this report apply exclusively to the tested model / sample. Without written approval from Sporton International Inc. EMC & Wireless Communications Laboratory, the test report shall not be reproduced except in full.

*Louis Wu*

Approved by: Louis Wu

**Sporton International Inc. EMC & Wireless Communications Laboratory**

No. 52, Huaya 1st Rd., Guishan Dist., Taoyuan City 333, Taiwan (R.O.C.)



# Table of Contents

**History of this test report..... 3**

**Summary of Test Result..... 4**

**1 General Description ..... 7**

    1.1 Product Feature of Equipment Under Test..... 7

    1.2 Modification of EUT ..... 9

    1.3 Testing Location ..... 9

    1.4 Applicable Standards..... 10

**2 Test Configuration of Equipment Under Test ..... 11**

    2.1 Test Mode..... 11

    2.2 Connection Diagram of Test System..... 13

    2.3 Support Unit used in test configuration and system ..... 13

    2.4 Measurement Results Explanation Example..... 13

    2.5 Frequency List of Low/Middle/High Channels ..... 14

**3 Conducted Test Items..... 26**

    3.1 Measuring Instruments ..... 26

    3.2 Conducted Output Power and ERP/EIRP ..... 27

    3.3 Peak-to-Average Ratio ..... 29

    3.4 Occupied Bandwidth..... 30

    3.5 Conducted Band Edge ..... 31

    3.6 Emission Mask..... 35

    3.7 Conducted Spurious Emission ..... 37

    3.8 Frequency Stability ..... 38

**4 Radiated Test Items ..... 39**

    4.1 Measuring Instruments ..... 39

    4.2 Radiated Spurious Emission Measurement ..... 41

**5 List of Measuring Equipment..... 43**

**6 Measurement Uncertainty ..... 44**

**Appendix A. Test Results of Conducted Test**

**Appendix B. Test Results of Radiated Test**

**Appendix C. Test Setup Photographs**



## History of this test report

Report No.	Version	Description	Issue Date
FG4N0919C	01	Initial issue of report	Apr. 12, 2025
FG4N0919C	02	Revise List of Measuring Equipment This report is an updated version, replacing the report issued on Apr. 12, 2025.	Apr. 22, 2025
FG4N0919C	03	Revise Appendix A and Appendix B This report is an updated version, replacing the report issued on Apr. 22, 2025.	May 06, 2025
FG4N0919C	04	Revise Appendix A and Frequency List of Low/Middle/High Channels This report is an updated version, replacing the report issued on May 06, 2025.	Jun. 10, 2025



## Summary of Test Result

Report Clause	Ref Std. Clause	Test Items	Result (PASS/FAIL)	Remark
3.2	§2.1046	Conducted Output Power	Pass	-
	§22.913 (a)(5) §90.635	Effective Radiated Power (n5) (n26)	Pass	
	§27.50 (c)(10)	Effective Radiated Power (n12) (n71)		
	§24.232 (c) §27.50 (h)(2)	Equivalent Isotropic Radiated Power (n2) (n25) (n7) (n38) (n41)		
	§27.50 (d)(4)	Equivalent Isotropic Radiated Power (n66) (n70)		
	§27.50 (a)(3)	Effective Isotropic Radiated Power (n30)		
	§27.50 (j)(3)	Equivalent Isotropic Radiated Power (n77) (n78)		
	§27.50 (k)(3)	Equivalent Isotropic Radiated Power (n77) (n78)		
	§90.542 (a)(7)	Effective Radiated Power (n14)		
3.3	§24.232 (d) §27.50 (d)(5)	Peak-to-Average Ratio	Pass	-
3.4	§2.1049	Occupied Bandwidth	Pass	-
3.5	§2.1051 §22.917 (a) §24.238 (a) §27.53 (g) §27.53 (h)	Conducted Band Edge Measurement (n2) (n5) (n12) (n25) (n26) (n66) (n71)	Pass	-
	§2.1051 §27.53 (m)(4)	Conducted Band Edge Measurement (n7) (n38) (n41)		
	§2.1051 §27.53 (l)(2)	Conducted Band Edge Measurement (n77) (n78)		
	§2.1051 §27.53 (n)(2)	Conducted Band Edge Measurement (n77) (n78)		
	§2.1051 §27.53 (a)(4)	Conducted Band Edge Measurement (n30)		
	§2.1051 §90.543 (e)(2)	Conducted Band Edge Measurement (n14)		
3.6	§2.1051 §90.210 (n)	Emission Mask (n14)	Pass	-
	§2.1051 §90.691	Emission masks (n26)		



Report Clause	Ref Std. Clause	Test Items	Result (PASS/FAIL)	Remark
3.7	§2.1051 §22.917 (a) §24.238 (a) §27.53 (g) §27.53 (h) §90.691	Conducted Spurious Emission (n2) (n5) (n12) (n25) (n26) (n66) (n71)	Pass	-
	§2.1051 §27.53 (m)(4)	Conducted Spurious Emission (n7) (n38) (n41)		
	§2.1051 §27.53 (l)(2)	Conducted Spurious Emission (n77) (n78)		
	§2.1051 §27.53 (n)(2)	Conducted Spurious Emission (n77) (n78)		
	§2.1051 §27.53 (a)(4)	Conducted Spurious Emission (n30)		
	§2.1051 §90.543 (e)(3)	Conducted Spurious Emission (n14)		
3.8	§2.1055 §22.355 §24.235 §27.54 §90.539 (e) §90.213	Frequency Stability Temperature & Voltage	Pass	-
4.2	§2.1053 §22.917 (a) §24.238 (a) §27.53 (g) §27.53 (h) §90.691	Radiated Spurious Emission (n2) (n5) (n12) (n25) (n26) (n66) (n71)	Pass	-
	§2.1053 §27.53 (m)(4)	Radiated Spurious Emission (n7) (n38) (n41)		
	§2.1053 §27.53 (l)(2)	Radiated Spurious Emission (n77) (n78)		
	§2.1053 §27.53 (n)(2)	Radiated Spurious Emission (n77) (n78)		
	§2.1053 §27.53 (a)(4)	Radiated Spurious Emission (n30)		
	§2.1053 §90.543 (e)(3) §90.543 (f)	Radiated Spurious Emission (n14)		



<b>Conformity Assessment Condition:</b>
1. The test results (PASS/FAIL) with all measurement uncertainty excluded are presented against the regulation limits or in accordance with the requirements stipulated by the applicant/manufacturee who shall bear all the risks of non-compliance that may potentially occur if measurement uncertainty is taken into account.
2. The measurement uncertainty please refer to each test result in the section "Measurement Uncertainty".
<b>Disclaimer:</b>
The product specifications of the EUT presented in the test report that may affect the test assessments are declared by the manufacturer who shall take full responsibility for the authenticity.

**Reviewed by: William Chen**

**Report Producer: Ming Chen**



# 1 General Description

## 1.1 Product Feature of Equipment Under Test

Product Feature
<p><b>General Specs</b> GSM/WCDMA/LTE/5G NR/NTN , Bluetooth, BLE, BLE channel sounding, Wi-Fi 802.11ax, NFC, WPC Rx and GNSS Rx.</p> <p><b>Antenna Type</b> WWAN: &lt;Ant. 0&gt;: ILA Antenna &lt;Ant. 1&gt;: ILA Antenna &lt;Ant. 2&gt;: IFA Antenna &lt;Ant. 5&gt;: IFA Antenna</p>

EUT Information List	
S/N	Performed Test Item
4C311FDCR00023	Conducted Measurement EIRP/ERP
4B121FDCR0006T	Radiated Spurious Emission

Support band and evaluated information	
<b>Supported band</b>	n2, n5, n7, n12, n14, n25, n26, n30, n38, n41, n66, n70, n71, n77, n78
<b>Evaluated and Tested band</b>	n2, n5, n7, n12, n14, n25, n26, n30, n38, n41, n66, n70, n71, n77, n78
<b>Band covered information</b>	<p>RSE frequency band range covers another band when the power is worse as follows:</p> <ul style="list-style-type: none"> <li>■ n26 cover n5 (Part 22H)</li> <li>■ n25 cover n2 (Part 24)</li> <li>■ n41 cover n38 (Part 27)</li> <li>■ n77 cover n78 (Part 27)</li> </ul>



Antenna information						
Band	Ant0	Ant1	Ant2	Ant5	Main Ant. #	Sub Ant. #
n5	-2.6	-5.6			0	1
n12	-2.8	-4.6			0	1
n14	-2.1	-3.7			0	1
n26	-2.2	-4.9			0	1
n71	-3.2	-4.3			0	1
n2	2.6		0.0		2	0
n7	1.3		0.8		2	0
n25	2.6		0.1		2	0
n30	2.5		0.2		2	0
n38	3.3		2.9		2	0
n41	3.5	-0.3	2.9	0.9	2	0
n66	1.9		0.7		2	0
n70	2.7		0.3		2	0

Antenna information						
Band	Ant1	Ant5	Ant6	Ant7	Main Ant. #	Sub Ant. #
n77/n78	2.3	0.6	1.5	1.6	6	7

MIMO Antenna information						
Band	Ant2+1	Ant2+5	Ant0+1	Ant0+5		
n41	-1.0	-0.22	3.25	3.76		

MIMO Antenna information						
Band	Ant6+1	Ant6+5	Ant7+1	Ant7+5		
n77/n78	0.6	-1.7	-1.3	-1.3		

**Remark:**

1. The EUT's information above is declared by manufacturer. Please refer to Disclaimer in report summary.
2. For Test Items, Main Ant. means Tx0 and Sub Ant. means Tx1.
3. After preliminary scan, the main antenna Ant 0 for Low band and main antenna Ant 2 for Mid/high band are selected as the worst mode to be reported for conducted test.
4. After preliminary scan for TxD/MIMO modes, Antenna 2+1 for n41 and Antenna 6+1 for n77/n78 are selected as the worst mode to be reported for conducted test.
5. The MIMO n41/n77/n78 composite gain can be referred to the combined gain described in the operational description.





### 1.2 Modification of EUT

No modifications made to the EUT during the testing.

### 1.3 Testing Location

<b>Test Site</b>	Sporton International Inc. EMC & Wireless Communications Laboratory
<b>Test Site Location</b>	No.52, Huaya 1st Rd., Guishan Dist., Taoyuan City 333, Taiwan (R.O.C.) TEL: +886-3-327-3456 FAX: +886-3-328-4978
<b>Test Site No.</b>	<b>Sporton Site No.</b> TH03-HY
<b>Test Engineer</b>	Ching Chen and Luffy Lin
<b>Temperature (°C)</b>	20.6 ~ 22.7
<b>Relative Humidity (%)</b>	50.6 ~ 58.5

<b>Test Site</b>	Sporton International Inc. Wensan Laboratory
<b>Test Site Location</b>	No.58, Aly. 75, Ln. 564, Wenhua 3rd, Rd., Guishan Dist., Taoyuan City 333010, Taiwan (R.O.C.) TEL: +886-3-327-0868 FAX: +886-3-327-0855
<b>Test Site No.</b>	<b>Sporton Site No.</b> 03CH21-HY (TAF Code: 3786)
<b>Test Engineer</b>	Fred Tseng, Ray Lung and Sky Chang
<b>Temperature (°C)</b>	18~26
<b>Relative Humidity (%)</b>	50~70
<b>Remark</b>	The Radiated Spurious Emission test item subcontracted to Sporton International Inc. Wensan Laboratory.

**Note:** The test site complies with ANSI C63.4 2014 requirement.

FCC Designation No.: TW1190 and TW3786



## **1.4 Applicable Standards**

According to the specifications declared by the manufacturer, the EUT must comply with the requirements of the following standards:

- ♦ ANSI C63.26-2015
- ♦ FCC 47 CFR Part 2, 22(H), 24(E), 27, Part 90(R), Part 90(S)
- ♦ FCC KDB 971168 D01 Power Meas. License Digital Systems v03r01
- ♦ FCC KDB 412172 D01 Determining ERP and EIRP v01r01
- ♦ FCC KDB 414788 D01 Radiated Test Site v01r01.
- ♦ FCC KDB 662911 D01 Multiple Transmitter Output v02r01.

**Remark:**

1. All the test items were validated and recorded in accordance with the standards without any modification during the testing.
2. The TAF code is not including all the FCC KDB listed without accreditation.



## 2 Test Configuration of Equipment Under Test

### 2.1 Test Mode

Antenna port conducted and radiated test items listed below are performed according to KDB 971168 D01 Power Meas. License Digital Systems v03r01 with maximum output power.

For radiated measurement, the measured emission level of the EUT was maximized by rotating the EUT on a turntable, adjusting the orientation of the EUT and EUT antenna in three orthogonal axis (X: flat, Y: portrait, Z: landscape) and accessory (Adapter or Earphone), and adjusting the measurement antenna orientation, following C63.26 exploratory test procedures and find the worst plane as following table.

Plane	Main Antenna	Sub Antenna
n7	Y with Adaptor	Y with Adaptor
n12	X with Adaptor	Y with Adaptor
n14	Y with Adaptor	X with Adaptor
n25	Y with Adaptor	Y with Adaptor
n26	X with Adaptor	Y with Adaptor
n30	X with Adaptor	Y with Adaptor
n41	X with Adaptor	Z with Adaptor
n41 PC1.5	Z with Adaptor	Y with Adaptor
n66	Z with Adaptor	X with Adaptor
n70	X with Adaptor	X with Adaptor
n71	Z with Adaptor	Z with Adaptor
n77	Y with Adaptor	Y with Earphone
n77 PC1.5	X with Earphone	X with Earphone



Modulation Type	Modulation	Modulation Type	Modulation
A	DFT-s-OFDM pi/2 BPSK	N/A	N/A
B	DFT-s-OFDM QPSK	F	CP-OFDM QPSK
C	DFT-s-OFDM 16QAM	G	CP-OFDM 16QAM
D	DFT-s-OFDM 64QAM	H	CP-OFDM 64QAM
E	DFT-s-OFDM 256QAM	I	CP-OFDM 256QAM

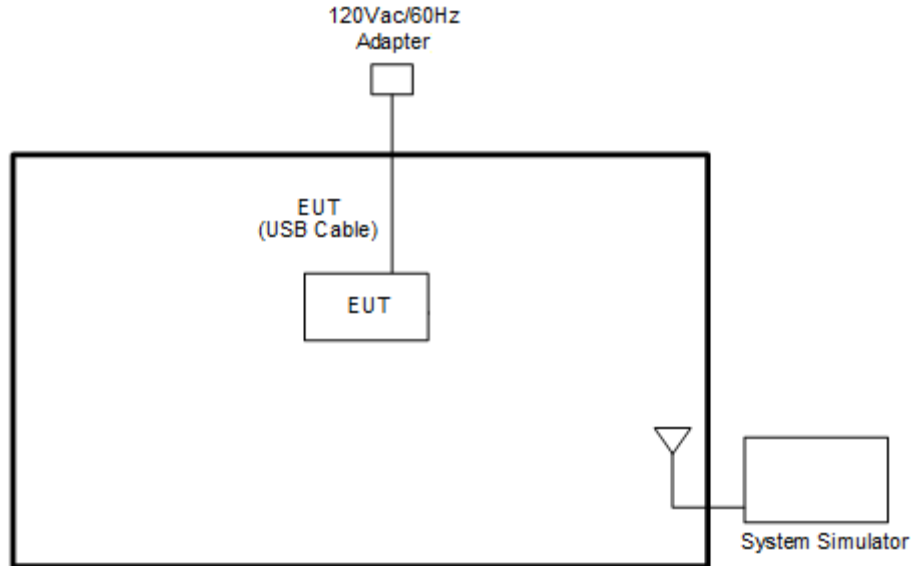
Test Item	Modulation Type	Bandwidth	RB Size	Channel
Conducted Power EIRP	A, B, C, D, E (SISO) A, B, C (TxD) F, G, H, I (MIMO)	All	1, Half, Full	L, M, H
PAR	A, B, C, D, E, F, G, H, I (SISO) F, G, H, I (MIMO)	20 MHz or less	Outer_Full	M
Bandwidth	A, F, G, H, I (SISO) F, G, H, I (MIMO)	All	Outer_Full	M
CBE	A, B, C, D, E (SISO) F, G, H, I (MIMO)	Minimum BW	Outer_1RB	L, H
		All	Outer_Full	
	F (SISO) A, B, C (TxD)	All	Outer_Full	
	A, B, C (TxD)	All	Inner_Full	
CSE	B (SISO, TxD) F (MIMO)	Minimum BW	Inner_1RB	L, M, H
Frequency Stability	A (SISO) F (MIMO)	20 MHz or less	Outer_Full	M
RSE	A or B (SISO, TxD)	20 MHz or less	Inner_1RB	L, M, H

**Remark:**

1. Evaluated all the transmitter signal and reporting worst-case configuration among all modulation types.
2. The device is investigated from 30MHz to 10 times of fundamental signal for radiated spurious emission test under different RB size/offset and modulations in exploratory test. Subsequently, only the worst-case emissions are reported.
3. For 5G NR test combination are EN-DC 2A\_n26A, EN-DC 5A\_n25A, EN-DC 5A\_n70A, EN-DC 2A\_n12A, EN-DC 2A\_n71A, EN-DC 5A\_n41A and EN-DC 7A\_n77A.
4. During the RSE preliminary test, the standalone mode and charging modes (Adapter mode and WPC Rx mode) were verified. It is determined that the earphone mode and adapter mode are the worst case for the official test.
5. All the radiated test cases were performed with USB Cable 2.

## 2.2 Connection Diagram of Test System

<EUT with Adapter>



## 2.3 Support Unit used in test configuration and system

Item	Equipment	Brand Name	Model No.	FCC ID	Data Cable	Power Cord
1.	System Simulator	Anritsu	MT8000A	N/A	N/A	Unshielded, 1.8 m
2.	System Simulator	Anritsu	MT8821C	N/A	N/A	Unshielded, 1.8 m
3.	AC Adapter	N/A	GW8L7	N/A	N/A	N/A

## 2.4 Measurement Results Explanation Example

**For all conducted test items:**

The offset level is set in the spectrum analyzer to compensate the RF cable loss and attenuator factor between EUT conducted output port and spectrum analyzer. With the offset compensation, the spectrum analyzer reading level is exactly the EUT RF output level.

The spectrum analyzer offset is derived from RF cable loss and attenuator factor.

*Offset = RF cable loss + attenuator factor.*

Following shows an offset computation example with cable loss 4.2 dB and 10dB attenuator.

Example :

$$\begin{aligned} \text{Offset(dB)} &= \text{RF cable loss(dB)} + \text{attenuator factor(dB)}. \\ &= 4.2 + 10 = 14.2 \text{ (dB)} \end{aligned}$$



### 2.5 Frequency List of Low/Middle/High Channels

5G NR n2 Channel and Frequency List				
BW [MHz]	Channel/Frequency(MHz)	Lowest	Middle	Highest
40	Channel	374000	376000	378000
	Frequency	1870	1880	1890
30	Channel	373000	376000	379000
	Frequency	1865	1880	1895
25	Channel	372500	376000	379500
	Frequency	1862.5	1880	1897.5
20	Channel	372000	376000	380000
	Frequency	1860	1880	1900
15	Channel	371500	376000	380500
	Frequency	1857.5	1880	1902.5
10	Channel	371000	376000	381000
	Frequency	1855	1880	1905
5	Channel	370500	376000	381500
	Frequency	1852.5	1880	1907.5

5G NR n5 Channel and Frequency List				
BW [MHz]	Channel/Frequency(MHz)	Lowest	Middle	Highest
20	Channel	166800	167300	167800
	Frequency	834	836.5	839
15	Channel	166300	167300	168300
	Frequency	831.5	836.5	841.5
10	Channel	165800	167300	168800
	Frequency	829	836.5	844
5	Channel	165300	167300	169300
	Frequency	826.5	836.5	846.5



5G NR n7 Channel and Frequency List				
BW [MHz]	Channel/Frequency(MHz)	Lowest	Middle	Highest
50	Channel	505000	507000	509000
	Frequency	2525	2535	2545
40	Channel	504000	507000	510000
	Frequency	2520	2535	2550
30	Channel	503000	507000	511000
	Frequency	2515	2535	2555
25	Channel	502500	507000	511500
	Frequency	2512.5	2535	2557.5
20	Channel	502000	507000	512000
	Frequency	2510	2535	2560
15	Channel	501500	507000	512500
	Frequency	2507.5	2535	2562.5
10	Channel	501000	507000	513000
	Frequency	2505	2535	2565
5	Channel	500500	507000	513500
	Frequency	2502.5	2535	2567.5

5G NR n12 Channel and Frequency List				
BW [MHz]	Channel/Frequency(MHz)	Lowest	Middle	Highest
15	Channel	141300	141500	141700
	Frequency	706.5	707.5	708.5
10	Channel	140800	141500	142200
	Frequency	704	707.5	711
5	Channel	140300	141500	142700
	Frequency	701.5	707.5	713.5

5G NR n14 Channel and Frequency List				
BW [MHz]	Channel/Frequency(MHz)	Lowest	Middle	Highest
10	Channel	-	158600	-
	Frequency	-	793	-
5	Channel	158100	158600	159100
	Frequency	790.5	793	795.5



5G NR n25 Channel and Frequency List				
BW [MHz]	Channel/Frequency(MHz)	Lowest	Middle	Highest
40	Channel	374000	376500	379000
	Frequency	1870	1882.5	1895
35	Channel	373500	376500	379500
	Frequency	1867.5	1882.5	1897.5
30	Channel	373000	376500	380000
	Frequency	1865	1882.5	1900
25	Channel	372500	376500	380500
	Frequency	1862.5	1882.5	1902.5
20	Channel	372000	376500	381000
	Frequency	1860	1882.5	1905
15	Channel	371500	376500	381500
	Frequency	1857.5	1882.5	1907.5
10	Channel	371000	376500	382000
	Frequency	1855	1882.5	1910
5	Channel	370500	376500	382500
	Frequency	1852.5	1882.5	1912.5





5G NR n26 Channel and Frequency List (Part22H)				
BW [MHz]	Channel/Frequency(MHz)	Lowest	Middle	Highest
20	Channel	166800	167300	167800
	Frequency	834	836.5	839
15	Channel	166300	167300	168300
	Frequency	831.5	836.5	841.5
10	Channel	165800	167300	168800
	Frequency	829	836.5	844
5	Channel	165300	167300	169300
	Frequency	826.5	836.5	846.5

5G NR n26 Channel and Frequency List (Part90S)				
BW [MHz]	Channel/Frequency(MHz)	Lowest	Middle	Highest
10	Channel	-	163800	-
	Frequency	-	819	-
5	Channel	163300	163800	164300
	Frequency	816.5	819	821.5

5G NR n26 Straddle Channel and Frequency List (Part 90S)				
BW [MHz]	Channel/Frequency(MHz)	Lowest	Middle	Highest
20	Channel	-	164800	-
	Frequency	-	824	-
15	Channel	-	164800	-
	Frequency	-	824	-
10	Channel	-	164800	-
	Frequency	-	824	-
5	Channel	-	164800	-
	Frequency	-	824	-

5G NR n30 Channel and Frequency List				
BW [MHz]	Channel/Frequency(MHz)	Lowest	Middle	Highest
10	Channel	-	27710	-
	Frequency	-	2310	-
5	Channel	27685	27710	27735
	Frequency	2307.5	2310	2312.5



<b>5G NR n38 Channel and Frequency List</b>				
<b>BW [MHz]</b>	<b>Channel/Frequency(MHz)</b>	<b>Lowest</b>	<b>Middle</b>	<b>Highest</b>
40	Channel	518000	519000	520000
	Frequency	2590	2595	2600
30	Channel	517000	519000	521000
	Frequency	2585	2595	2605
25	Channel	516500	519000	521500
	Frequency	2582.5	2595	2607.5
20	Channel	516000	519000	522000
	Frequency	2580	2595	2610
15	Channel	515500	519000	522500
	Frequency	2577.5	2595	2612.5
10	Channel	515000	519000	523000
	Frequency	2575	2595	2615



5G NR n41 Channel and Frequency List				
BW [MHz]	Channel/Frequency(MHz)	Lowest	Middle	Highest
100	Channel	509202	518598	528000
	Frequency	2546.01	2592.99	2640
90	Channel	508200	518598	528996
	Frequency	2541	2592.99	2644.98
80	Channel	507204	518598	529998
	Frequency	2536.02	2592.99	2649.99
70	Channel	506202	518598	531000
	Frequency	2531.01	2592.99	2655
60	Channel	505200	518598	531996
	Frequency	2526	2592.99	2659.98
50	Channel	504204	518598	532998
	Frequency	2521.02	2592.99	2664.99
40	Channel	503202	518598	534000
	Frequency	2516.01	2592.99	2670
30	Channel	502200	518598	534996
	Frequency	2511	2592.99	2674.98
20	Channel	501204	518598	535998
	Frequency	2506.02	2592.99	2679.99
15	Channel	500700	518598	536496
	Frequency	2503.5	2592.99	2682.48
10	Channel	500202	518598	537000
	Frequency	2501.01	2592.99	2685



5G NR n66 Channel and Frequency List				
BW [MHz]	Channel/Frequency(MHz)	Lowest	Middle	Highest
40	Channel	346000	349000	352000
	Frequency	1730	1745	1760
35	Channel	345500	349000	352500
	Frequency	1727.5	1745	1762.5
30	Channel	345000	349000	353000
	Frequency	1725	1745	1765
25	Channel	344500	349000	353500
	Frequency	1722.5	1745	1767.5
20	Channel	344000	349000	354000
	Frequency	1720	1745	1770
15	Channel	343500	349000	354500
	Frequency	1717.5	1745	1772.5
10	Channel	343000	349000	355000
	Frequency	1715	1745	1775
5	Channel	342500	349000	355500
	Frequency	1712.5	1745	1777.5



5G NR n70 Channel and Frequency List				
BW [MHz]	Channel/Frequency(MHz)	Lowest	Middle	Highest
15	Channel	-	340500	-
	Frequency	-	1702.5	-
10	Channel	340000	340500	341000
	Frequency	1700	1702.5	1705
5	Channel	339500	340500	341500
	Frequency	1697.5	1702.5	1707.5

5G NR n71 Channel and Frequency List				
BW [MHz]	Channel/Frequency(MHz)	Lowest	Middle	Highest
20	Channel	134600	136100	137600
	Frequency	673	680.5	688
15	Channel	134100	136100	138100
	Frequency	670.5	680.5	690.5
10	Channel	133600	136100	138600
	Frequency	668	680.5	693
5	Channel	133100	136100	139100
	Frequency	665.5	680.5	695.5



5G NR Band n77 (Part270) Channel and Frequency List				
BW [MHz]	Channel/Frequency(MHz)	Lowest	Middle	Highest
100	Channel	650000	656000	662000
	Frequency	3750	3840	3930
90	Channel	649668	656000	662332
	Frequency	3745.02	3840	3934.98
80	Channel	649334	656000	662666
	Frequency	3740.01	3840	3939.99
70	Channel	649000	656000	663000
	Frequency	3735	3840	3945
60	Channel	648668	656000	663332
	Frequency	3730.02	3840	3949.98
50	Channel	648334	656000	663666
	Frequency	3725.01	3840	3954.99
40	Channel	648000	656000	664000
	Frequency	3720	3840	3960
30	Channel	647668	656000	664332
	Frequency	3715.02	3840	3965
25	Channel	647500	656000	664500
	Frequency	3712.5	3840	3967.5
20	Channel	647334	656000	664666
	Frequency	3710.01	3840	3969.99
15	Channel	647168	656000	664832
	Frequency	3707.52	3840	3972.48
10	Channel	647000	656000	665000
	Frequency	3705	3840	3975



5G NR n78 (Part27O) Channel and Frequency List				
BW [MHz]	Channel/Frequency(MHz)	Lowest	Middle	Highest
100	Channel	-	650000	-
	Frequency	-	3750	-
90	Channel	649668	650000	650332
	Frequency	3745.02	3750	3754.98
80	Channel	649334	650000	650666
	Frequency	3740.01	3750	3759.99
70	Channel	649000	650000	651000
	Frequency	3735	6750	3765
60	Channel	648668	650000	651332
	Frequency	3730.02	3750	3769.98
50	Channel	648334	650000	651666
	Frequency	3725.01	3750	3774.99
40	Channel	648000	650000	652000
	Frequency	3720	3750	3780
30	Channel	647668	650000	652332
	Frequency	3715.02	3750	3784.98
25	Channel	647500	650000	652500
	Frequency	3712.5	3750	3787.5
20	Channel	647334	650000	652666
	Frequency	3710.01	3750	3789.99
15	Channel	647168	650000	652832
	Frequency	3707.52	3750	3792.48
10	Channel	647000	650000	653000
	Frequency	3705	3750	3795



5G NR Band n77 (Part27Q) Channel and Frequency List				
BW [MHz]	Channel/Frequency(MHz)	Lowest	Middle	Highest
100	Channel	-	633334	-
	Frequency	-	3500.01	-
90	Channel	633000	633334	633666
	Frequency	3495	3500.01	3504.99
80	Channel	632668	633334	634000
	Frequency	3490.02	3500.01	3510
70	Channel	632334	633334	634332
	Frequency	3485.01	3500.01	3514.98
60	Channel	632000	633334	634666
	Frequency	3480	3500.01	3519.99
50	Channel	631668	633334	635000
	Frequency	3475.02	3500.01	3525
40	Channel	631334	633334	635332
	Frequency	3470.01	3500.01	3529.98
30	Channel	631000	633334	635666
	Frequency	3465	3500.01	3534.99
25	Channel	630834	633334	635832
	Frequency	3462.51	3500.01	3537.48
20	Channel	630668	633334	636000
	Frequency	3460.02	3500.01	3540
15	Channel	630500	633334	636166
	Frequency	3457.5	3500.01	3542.49
10	Channel	630334	633334	636332
	Frequency	3455.01	3500.01	3544.98





5G NR n78 (Part27Q) Channel and Frequency List				
BW [MHz]	Channel/Frequency(MHz)	Lowest	Middle	Highest
100	Channel	-	633334	-
	Frequency	-	3500.01	-
90	Channel	633000	633334	633666
	Frequency	3495	3500.01	3504.99
80	Channel	632668	633334	634000
	Frequency	3490.02	3500.01	3510
70	Channel	632334	633334	634332
	Frequency	3485.01	3500.01	3514.98
60	Channel	632000	633334	634666
	Frequency	3480	3500.01	3519.99
50	Channel	631668	633334	635000
	Frequency	3475.02	3500.01	3525
40	Channel	631334	633334	635332
	Frequency	3470.01	3500.01	3529.98
30	Channel	631000	633334	635666
	Frequency	3465	3500.01	3534.99
25	Channel	630834	633334	635832
	Frequency	3462.51	3500.01	3537.48
20	Channel	630668	633334	636000
	Frequency	3460.02	3500.01	3540
15	Channel	630500	633334	636166
	Frequency	3457.5	3500.01	3542.49
10	Channel	630334	633334	636332
	Frequency	3455.01	3500.01	3544.98

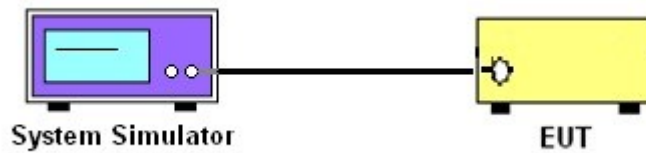
### 3 Conducted Test Items

#### 3.1 Measuring Instruments

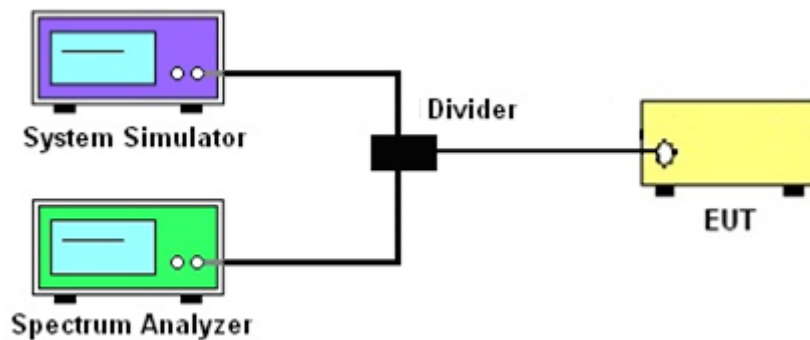
See list of measuring instruments of this test report.

##### 3.1.1 Test Setup

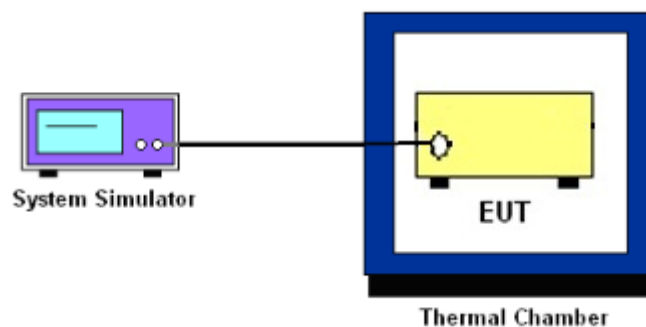
##### 3.1.2 Conducted Output Power



##### 3.1.3 Peak-to-Average Ratio, Occupied Bandwidth ,Conducted Band-Edge, Emission Mask and Conducted Spurious Emission



##### 3.1.4 Frequency Stability



##### 3.1.5 Test Result of Conducted Test

Please refer to Appendix A.



## **3.2 Conducted Output Power and ERP/EIRP**

### **3.2.1 Description of the Conducted Output Power Measurement and ERP/EIRP Measurement**

A system simulator was used to establish communication with the EUT. Its parameters were set to force the EUT transmitting at maximum output power. The measured power in the radio frequency on the transmitter output terminals shall be reported.

The ERP of mobile transmitters must not exceed 7 Watts for 5G NR n5, n26 (Part 22H)

The power of mobile transmitters must not exceed 100 Watts for 5G NR n26 (Part 90S)

The ERP of mobile transmitters must not exceed 3 Watts for 5G NR n12, n14, n71

The EIRP of mobile transmitters must not exceed 2 Watts for 5G NR n2, n25, n7, n38, n41

The EIRP of mobile transmitters must not exceed 1 Watts for 5G NR n66, n77, n78

The EIRP of mobile transmitters must not exceed 250mW/5MHz for 5G NR n30

According to KDB 412172 D01 Power Approach,

$EIRP = P_T + G_T - L_C$ ,  $ERP = EIRP - 2.15$ , where

$P_T$  = transmitter output power in dBm

$G_T$  = gain of the transmitting antenna in dBi

$L_C$  = signal attenuation in the connecting cable between the transmitter and antenna in dB



### **3.2.2 Test Procedures**

1. The transmitter output port was connected to the system simulator.
2. Set EUT at maximum power through the system simulator.
3. Select lowest, middle, and highest channels for each band and different modulation.
4. Measure and record the power level from the system simulator.



## **3.3 Peak-to-Average Ratio**

### **3.3.1 Description of the PAR Measurement**

Power Complementary Cumulative Distribution Function (CCDF) curves provide a means for characterizing the power peaks of a digitally modulated signal on a statistical basis. A CCDF curve depicts the probability of the peak signal amplitude exceeding the average power level. Most contemporary measurement instrumentation include the capability to produce CCDF curves for an input signal provided that the instrument's resolution bandwidth can be set wide enough to accommodate the entire input signal bandwidth. In measuring transmissions in this band using an average power technique, the peak-to-average ratio (PAR) of the transmission may not exceed 13 dB.

### **3.3.2 Test Procedures**

The testing follows ANSI C63.26-2015 Section 5.2.6

1. The EUT was connected to spectrum and system simulator via a power divider.
2. Set the CCDF (Complementary Cumulative Distribution Function) option in spectrum analyzer.
3. The highest RF powers were measured and recorded the maximum PAPR level associated with a probability of 0.1 %.
4. Record the deviation as Peak to Average Ratio.



## **3.4 Occupied Bandwidth**

### **3.4.1 Description of Occupied Bandwidth Measurement**

The occupied bandwidth is the width of a frequency band such that, below the lower and above the upper frequency limits, the mean powers emitted are each equal to a specified percentage 0.5% of the total mean transmitted power.

The 26 dB emission bandwidth is defined as the frequency range between two points, one above and one below the carrier frequency, at which the spectral density of the emission is attenuated 26 dB below the maximum in-band spectral density of the modulated signal. Spectral density (power per unit bandwidth) is to be measured with a detector of resolution bandwidth equal to approximately 1.0% of the emission bandwidth.

### **3.4.2 Test Procedures**

The testing follows ANSI C63.26-2015 Section 5.4.3 (26dB) and Section 5.4.4 (99OB)

1. The EUT was connected to spectrum analyzer and system simulator via a power divider.
2. The spectrum analyzer center frequency is set to the nominal EUT channel center frequency. The span range for the spectrum analyzer shall be between two and five times the anticipated OBW.
3. The nominal resolution bandwidth (RBW) shall be in the range of 1 to 5 % of the anticipated OBW, and the VBW shall be at least 3 times the RBW.
4. Set the detection mode to peak, and the trace mode to max hold.
5. Determine the reference value: Set the EUT to transmit a modulated signal. Allow the trace to stabilize. Set the spectrum analyzer marker to the highest level of the displayed trace.  
(this is the reference value)
6. Determine the “-26 dB down amplitude” as equal to (Reference Value – X).
7. Place two markers, one at the lowest and the other at the highest frequency of the envelope of the spectral display such that each marker is at or slightly below the “-X dB down amplitude” determined in step 6. If a marker is below this “-X dB down amplitude” value it shall be placed as close as possible to this value. The OBW is the positive frequency difference between the two markers.
8. Use the 99 % power bandwidth function of the spectrum analyzer and report the measured bandwidth.



## **3.5 Conducted Band Edge**

### **3.5.1 Description of Conducted Band Edge Measurement**

22.917(a)

For operations in the 824 – 849 MHz band, the FCC limit is  $43 + 10\log_{10}(P[\text{Watts}])$  dB below the transmitter power  $P(\text{Watts})$  in a 100kHz bandwidth. However, in the 1MHz bands immediately outside and adjacent to the licensee's frequency block, a resolution bandwidth of at least one percent of the emission bandwidth of the fundamental emission of the transmitter may be employed.

24.238 (a)

For operations in the 1850-1910 and 1930-1990 MHz band, the FCC limit is  $43 + 10\log_{10}(P[\text{Watts}])$  dB below the transmitter power  $P(\text{Watts})$  in a 1MHz bandwidth. However, in the 1 MHz bands immediately outside and adjacent to the frequency block a resolution bandwidth of at least one percent of the emission bandwidth of the fundamental emission of the transmitter may be employed.

27.53 (g)

For operations in the 600MHz band and 698-746 MHz band, the FCC limit is  $43 + 10\log_{10}(P[\text{Watts}])$  dB below the transmitter power  $P(\text{Watts})$  in a 100 kHz bandwidth. However, in the 100 kilohertz bands immediately outside and adjacent to a licensee's frequency block, a resolution bandwidth of at least 30 kHz may be employed.

27.53 (h)

For operations in the 1710 – 1755 MHz band, 1755-1780 MHz, the FCC limit is  $43 + 10\log_{10}(P[\text{Watts}])$  dB below the transmitter power  $P(\text{Watts})$  in a 1 MHz bandwidth. However, in the 1MHz bands immediately outside and adjacent to the licensee's frequency block, a resolution bandwidth of at least one percent of the emission bandwidth of the fundamental emission of the transmitter may be employed.

**27.53(m)(4)**

For mobile digital stations, the attenuation factor shall be not less than  $40 + 10 \log (P)$  dB on all frequencies between the channel edge and 5 megahertz from the channel edge,  $43 + 10 \log (P)$  dB on all frequencies between 5 megahertz and X megahertz from the channel edge, and  $55 + 10 \log (P)$  dB on all frequencies more than X megahertz from the channel edge, where X is the greater of 6 megahertz or the actual emission bandwidth as defined in paragraph (m)(6) of this section. In addition, the attenuation factor shall not be less that  $43 + 10 \log (P)$  dB on all frequencies between 2490.5 MHz and 2496 MHz and  $55 + 10 \log (P)$  dB at or below 2490.5 MHz. Mobile Satellite Service licensees operating on frequencies below 2495 MHz may also submit a documented interference complaint against BRS licensees operating on channel BRS Channel 1 on the same terms and conditions as adjacent channel BRS or EBS licensees.

**27.53 (a)(4)**

For mobile and portable stations operating in the 2305-2315 MHz and 2350-2360 MHz bands:

- (i) By a factor of not less than:  $43 + 10 \log (P)$  dB on all frequencies between 2305 and 2320 MHz and on all frequencies between 2345 and 2360 MHz that are outside the licensed band(s) of operation, not less than  $55 + 10 \log (P)$  dB on all frequencies between 2320 and 2324 MHz and on all frequencies between 2341 and 2345 MHz, not less than  $61 + 10 \log (P)$  dB on all frequencies between 2324 and 2328 MHz and on all frequencies between 2337 and 2341 MHz, and not less than  $67 + 10 \log (P)$  dB on all frequencies between 2328 and 2337 MHz.
- (ii) By a factor of not less than  $43 + 10 \log (P)$  dB on all frequencies between 2300 and 2305 MHz,  $55 + 10 \log (P)$  dB on all frequencies between 2296 and 2300 MHz,  $61 + 10 \log (P)$  dB on all frequencies between 2292 and 2296 MHz,  $67 + 10 \log (P)$  dB on all frequencies between 2288 and 2292 MHz, and  $70 + 10 \log (P)$  dB below 2288 MHz.
- (iii) By a factor of not less than  $43 + 10 \log (P)$  dB on all frequencies between 2360 and 2365 MHz, and not less than  $70 + 10 \log (P)$  dB above 2365 MHz.





## 27.53 (l)(2)

For mobile operations in the 3700-3980 MHz band, the conducted power of any emission outside the licensee's authorized bandwidth shall not exceed  $-13$  dBm/MHz. Compliance with this paragraph (l)(2) is based on the use of measurement instrumentation employing a resolution bandwidth of 1 megahertz or greater. However, in the 1 megahertz bands immediately outside and adjacent to the licensee's frequency block, the minimum resolution bandwidth for the measurement shall be either one percent of the emission bandwidth of the fundamental emission of the transmitter or 350 kHz. In the bands between 1 and 5 MHz removed from the licensee's frequency block, the minimum resolution bandwidth for the measurement shall be 500 kHz. The emission bandwidth is defined as the width of the signal between two points, one below the carrier center frequency and one above the carrier center frequency, outside of which all emissions are attenuated at least 26 dB below the transmitter power.

## 27.53 (n)(2)

For mobile operations in the 3450-3550 MHz band, the conducted power of any emission outside the licensee's authorized bandwidth shall not exceed  $-13$  dBm/MHz. Compliance with this paragraph (n)(2) is based on the use of measurement instrumentation employing a resolution bandwidth of 1 megahertz or greater. However, in the 1 megahertz bands immediately outside and adjacent to the licensee's frequency block, a resolution bandwidth of at least one percent of the emission bandwidth of the fundamental emission of the transmitter may be employed, but limited to a maximum of 200 kHz. In the bands between 1 and 5 MHz removed from the licensee's frequency block, the minimum resolution bandwidth for the measurement shall be 500 kHz. The emission bandwidth is defined as the width of the signal between two points, one below the carrier center frequency and one above the carrier center frequency, outside of which all emissions are attenuated at least 26 dB below the transmitter power.

## 90.543(e)

- (1) On all frequencies between 769-775 MHz and 799-805 MHz, by a factor not less than  $76 + 10 \log (P)$  dB in a 6.25 kHz band segment, for base and fixed stations.
- (2) On all frequencies between 769-775 MHz and 799-805 MHz, by a factor not less than  $65 + 10 \log (P)$  dB in a 6.25 kHz band segment, for mobile and portable stations.
- (3) On any frequency between 775-788 MHz, above 805 MHz, and below 758 MHz, by at least  $43 + 10 \log (P)$  dB.



### 3.5.2 Test Procedures

The testing follows FCC KDB 971168 D01 v03r01 Section 6.1.

1. The EUT was connected to spectrum analyzer and system simulator via a power divider.
2. The band edges of low and high channels for the highest RF powers were measured.
3. Set RBW  $\geq$  1% EBW in the 1MHz band immediately outside and adjacent to the band edge.
4. Beyond the 1 MHz band from the band edge, RBW=1MHz was used.
5. Set spectrum analyzer with RMS detector.
6. The RF fundamental frequency should be excluded against the limit line in the operating frequency band.
7. Checked that all the results comply with the emission limit line.

The limit line is derived from  $43 + 10\log(P)$ dB below the transmitter power P(Watts)

For 5G NR n7, n38, n41

The other 40 dB, and 55 dB have additionally applied same calculation above.

8. For MIMO mode, add additional MIMO factor  $10\log(NTX=2) = 3.01$ dB into the spectrum analyzer offset.



## 3.6 Emission Mask

### 3.6.1 Description of Emissions Mask Measurement

For 5G NR n14

Transmitters designed must meet the emission mask comply with the emission mask provisions of FCC Part 90.210(n).

For 5G NR n26

Equipment used in this licensed to EA or non-EA systems shall comply with the emission mask provisions of FCC Part 90.691

(a) Out-of-band emission requirement shall apply only to the "outer" channels included in an EA license and to spectrum adjacent to interior channels used by incumbent licensees. The emission limits are as follows:

(1) For any frequency removed from the EA licensee's frequency block by up to and including 37.5 kHz, the power of any emission shall be attenuated below the transmitter power (P) in watts by at least  $116 \text{ Log}_{10}(f/6.1)$  decibels or  $50 + 10 \text{ Log}_{10}(P)$  decibels or 80 decibels, whichever is the lesser attenuation, where f is the frequency removed from the center of the outer channel in the block in kilohertz and where f is greater than 12.5 kHz.

(2) For any frequency removed from the EA licensee's frequency block greater than 37.5 kHz, the power of any emission shall be attenuated below the transmitter power (P) in watts by at least  $43 + 10 \text{ Log}_{10}(P)$  decibels or 80 decibels, whichever is the lesser attenuation, where f is the frequency removed from the center of the outer channel in the block in kilohertz and where f is greater than 37.5 kHz.



### **3.6.2 Test Procedures**

For 5G NR n14

The testing follows FCC KDB 971168 D01 v03r01 Section 6.0.

1. The EUT was connected to spectrum analyzer and system simulator via a power divider.
2. The power of the modulated signal was measured on a spectrum analyzer using an RMS and 10 second sweep time in order to maximize the level.
3. The RF fundamental frequency should be excluded against the limit line in the operating frequency band.

For 5G NR n26

1. The EUT was connected to spectrum analyzer and base station via power divider.
2. The emissions mask of low and high channels for the highest RF powers were measured.
3. Set RBW and VBW 3 times of RBW to make the measurement with the spectrum analyzer's, and according to KDB 971168 D02 Misc Rev Approve License Devices v02r01 standards, set RBW = 300 Hz to make offsets less than 37.5 kHz from a channel edge , RBW = 100 kHz to make offsets greater than 37.5 kHz, that is allowed.
4. The test results were shown below plots with a correction offset factor including cable loss, insertion loss of power divider.



## 3.7 Conducted Spurious Emission

### 3.7.1 Description of Conducted Spurious Emission Measurement

The power of any emission outside of the authorized operating frequency ranges must be lower than the transmitter power (P) by a factor of at least  $43 + 10 \log (P)$  dB.

For 5G NR n30

The power of any emission outside of the authorized operating frequency ranges must be lower than the transmitter power (P) by a factor of at least  $70 + 10 \log (P)$  dB.

For 5G NR n7, n38, n41

The power of any emission outside of the authorized operating frequency ranges must be lower than the transmitter power (P) by a factor of at least  $55 + 10 \log (P)$  dB.

It is measured by means of a calibrated spectrum analyzer and scanned from 30 MHz up to a frequency including its 10<sup>th</sup> harmonic.

### 3.7.2 Test Procedures

The testing follows FCC KDB 971168 D01 v03r01 Section 6.1.

1. The EUT was connected to spectrum analyzer and system simulator via a power divider.
2. The RF output of EUT was connected to the spectrum analyzer by RF cable and attenuator.  
The path loss was compensated to the results for each measurement.
3. The conducted spurious emission for the whole frequency range was taken.
4. Make the measurement with the spectrum analyzer's RBW = 100 kHz if the authorized frequency band/block is at or below 1 GHz and 1 MHz if the authorized frequency band/block is above 1 GH, VBW = 3 \* RBW.
5. Set spectrum analyzer with RMS detector.
6. Taking the record of maximum spurious emission.
7. The RF fundamental frequency should be excluded against the limit line in the operating frequency band.
8. The limit line is derived from  $43 + 10\log(P)$ dB below the transmitter power P(Watts)  
For 5G NR n30  
The limit line is derived from  $70 + 10\log(P)$ dB below the transmitter power P(Watts)  
For 5G NR n7, n38, n41  
The limit line is derived from  $55 + 10\log(P)$ dB below the transmitter power P(Watts)
9. For MIMO mode, add additional MIMO factor  $10\log(\text{NTX}=2) = 3.01$ dB into the spectrum analyzer offset.



## **3.8 Frequency Stability**

### **3.8.1 Description of Frequency Stability Measurement**

22.355

The frequency stability shall be measured by variation of ambient temperature and variation of primary supply voltage to ensure that the fundamental emission stays within the authorized frequency block. The frequency stability of the transmitter shall be maintained within  $\pm 0.00025\%$  ( $\pm 2.5\text{ppm}$ ) of the center frequency.

24.235 & 27.54

The frequency stability shall be sufficient to ensure that the fundamental emission stays within the authorized frequency block.

### **3.8.2 Test Procedures for Temperature Variation**

The testing follows FCC KDB 971168 D01 v03r01 Section 9.0.

1. The EUT was set up in the thermal chamber and connected with the system simulator.
2. With power OFF, the temperature was decreased to  $-30^{\circ}\text{C}$  and the EUT was stabilized before testing. Power was applied and the maximum change in frequency was recorded within one minute.
3. With power OFF, the temperature was raised in  $10^{\circ}\text{C}$  step up to  $50^{\circ}\text{C}$ . The EUT was stabilized at each step for at least half an hour. Power was applied and the maximum frequency change was recorded within one minute.

### **3.8.3 Test Procedures for Voltage Variation**

The testing follows FCC KDB 971168 D01 v03r01 Section 9.0.

1. The EUT was placed in a temperature chamber at  $20\pm 5^{\circ}\text{C}$  and connected with the system simulator.
2. The power supply voltage to the EUT was varied from 85% to 115% of the nominal value measured at the input to the EUT.
3. The variation in frequency was measured for the worst case.

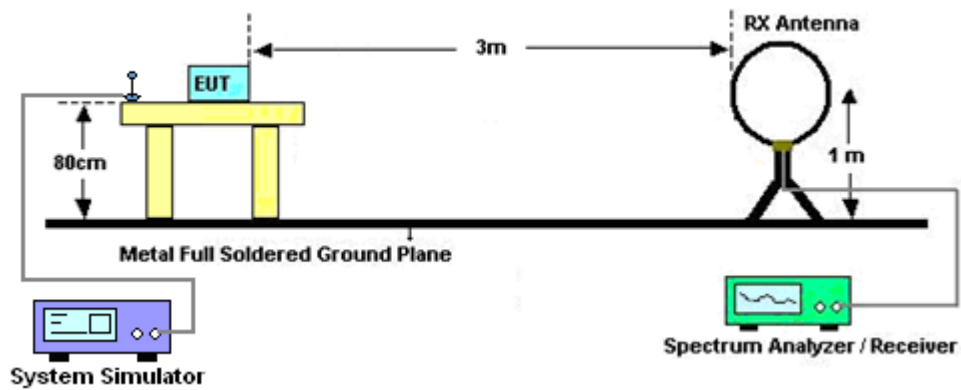
## 4 Radiated Test Items

### 4.1 Measuring Instruments

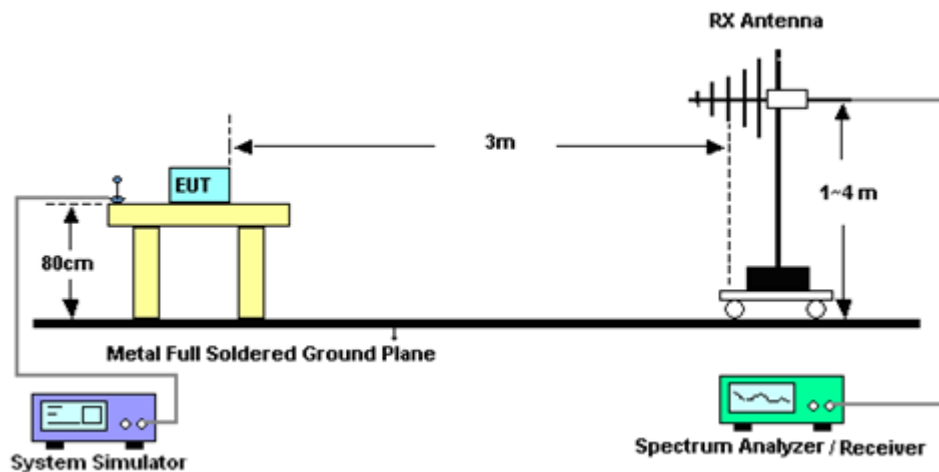
See list of measuring instruments of this test report.

#### 4.1.1 Test Setup

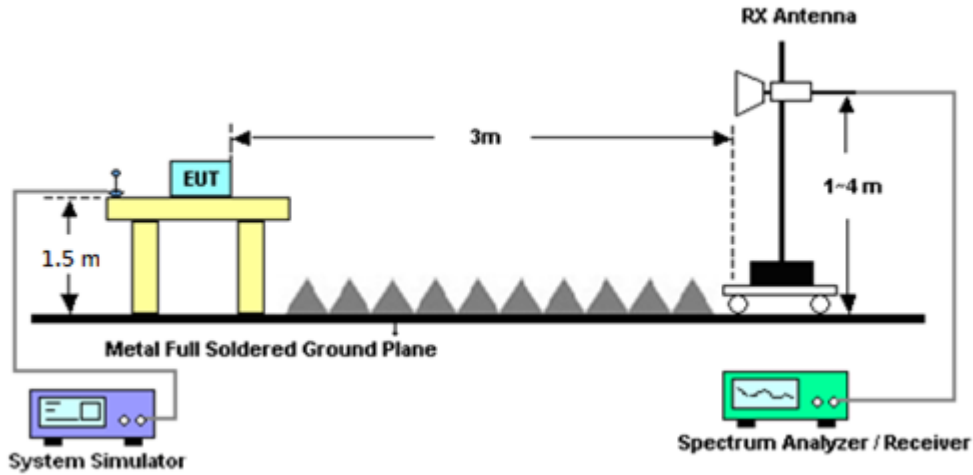
For radiated test below 30MHz



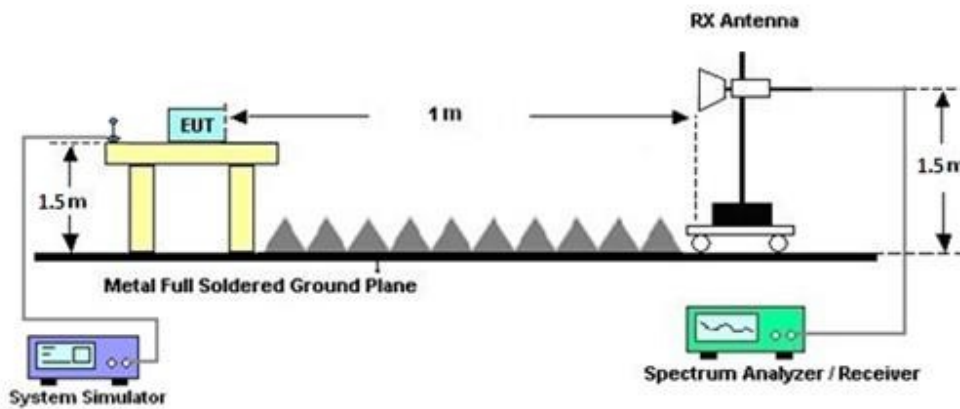
For radiated test from 30MHz to 1GHz



For radiated test from 1GHz to 18GHz



For radiated test above 18GHz



#### 4.1.2 Test Result of Radiated Test

Please refer to Appendix B.

**Note:**

The low frequency, which started from 9 kHz to 30MHz, was pre-scanned and the result which was 20dB lower than the limit line was not reported.

There is adequate comparison measurement of both open-field test site and alternative test site - semi-Anechoic chamber according to 414788 D01 Radiated Test Site v01r01, and the result came out very similar.





## **4.2 Radiated Spurious Emission Measurement**

### **4.2.1 Description of Radiated Spurious Emission Measurement**

The radiated spurious emission was measured by substitution method according to ANSI C63.26-2015. The power of any emission outside of the authorized operating frequency ranges must be attenuated below the transmitter power (P) by a factor of at least  $43 + 10 \log (P)$  dB

For 5G NR n7, n38, n41

The power of any emission outside of the authorized operating frequency ranges must be attenuated below the transmitter power (P) by a factor of at least  $55 + 10 \log (P)$  dB.

For 5G NR n30

The power of any emission outside of the authorized operating frequency ranges must be attenuated below the transmitter power (P) by a factor of at least  $70 + 10 \log (P)$  dB.

For 5G NR n14

For operations in the 758-775 MHz and 788-805 MHz bands, all emissions including harmonics in the band 1559–1610 MHz shall be limited to -70 dBW/MHz equivalent isotropically radiated power (EIRP) for wideband signals, and -80 dBW EIRP for discrete emissions of less than 700 Hz bandwidth. For the purpose of equipment authorization, a transmitter shall be tested with an antenna that is representative of the type that will be used with the equipment in normal operation.

The spectrum is scanned from 30 MHz up to a frequency including its 10th harmonic.



### 4.2.2 Test Procedures

The testing follows FCC KDB 971168 D01 v03r01 Section 7 and ANSI C63.26-2015 section 5.5.4 Radiated measurement using the field strength method.

1. The EUT was placed on a turntable with 0.8 meter for frequency below 1GHz and 1.5 meter for frequency above 1GHz respectively above ground.
2. The EUT was set 3 meters from the receiving antenna, which was mounted on the antenna tower.
3. The table was rotated 360 degrees to determine the position of the highest spurious emission.
4. The height of the receiving antenna is varied between one meter and four meters to search the maximum spurious emission for both horizontal and vertical polarizations.
5. Make the measurement with the spectrum analyzer's RBW = 1MHz, VBW = 3MHz, taking the record of maximum spurious emission.
6. To convert spectrum reading E(dBuV/m) to EIRP(dBm)  
$$\text{EIRP(dBm)} = \text{Level (dBuV/m)} + 20\log(d) - 104.77,$$
where d is the distance at which field strength limit is specified in the rules
7. Field Strength Level (dBm) = Spectrum Reading (dBm) + Antenna Factor + Cable Loss + Read Level - Preamp Factor.
8. ERP (dBm) = EIRP (dBm) - 2.15
9. The RF fundamental frequency should be excluded against the limit line in the operating frequency band.



## 5 List of Measuring Equipment

Instrument	Brand Name	Model No.	Serial No.	Characteristics	Calibration Date	Test Date	Due Date	Remark
DC Power Supply	GW Instek	PSS-2005	EL890089	1V~20V 0.5A~5A	Feb. 07, 2025	Feb. 21, 2025 ~ Apr. 22, 2025	Feb. 06, 2026	Conducted (TH03-HY)
Signal Analyzer	Rohde & Schwarz	FSV3044	101691	10Hz~44GHz	Oct. 02, 2024	Dec. 06, 2024 ~ Apr. 22, 2025	Oct. 01, 2025	Conducted (TH03-HY)
Temperature Chamber	ESPEC	LHU-113	1012005860	-20°C ~85°C	Dec. 10, 2024	Feb. 21, 2025 ~ Apr. 22, 2025	Dec. 09, 2025	Conducted (TH03-HY)
Hygrometer	TECEPEL	DTM-303B	TP200886	NA	Mar. 14, 2024	Dec. 06, 2024 ~ Mar. 02, 2025	Mar. 13, 2025	Conducted (TH03-HY)
Hygrometer	TECEPEL	DTM-303B	TP200886	NA	Mar. 03, 2025	Mar. 03, 2024 ~ Apr. 22, 2025	Mar. 12, 2026	Conducted (TH03-HY)
Base Station (Measure)	Anritsu	MT8000A	6262148275	FR1	Oct. 20, 2024	Dec. 06, 2024 ~ Apr. 22, 2025	Oct. 19, 2025	Conducted (TH03-HY)
Power divider	Anritsu	K241C	2143398	9KHz~40GHz	Jun. 13, 2024	Dec. 06, 2024 ~ Apr. 22, 2025	Jun. 12, 2025	Conducted (TH03-HY)
RF Cable	MVE	MCBL-LL403 P.50	E80002C	9KHz~40GHz	Aug. 23, 2024	Dec. 06, 2024 ~ Apr. 22, 2025	Aug. 22, 2025	Conducted (TH03-HY)
Software 1	Sporton	FCC 5GNR_FSV30 44_20231106	N/A	Conducted Test Item	N/A	Dec. 06, 2024 ~ Apr. 22, 2025	N/A	Conducted (TH03-HY)
LOOP Antenna	Rohde & Schwarz	HFH2-Z2	100488	9 kHz~30 MHz	Aug. 29, 2024	Dec. 25, 2024 ~ Feb. 21, 2025	Aug. 28, 2025	Radiation (03CH21-HY)
Bilog Antenna	TESEQ & WOKEN	CBL 6111D & 00802N1D-06	63303 & 001	30MHz~1GHz	Dec. 17, 2024	Dec. 25, 2024 ~ Feb. 21, 2025	Dec. 16, 2025	Radiation (03CH21-HY)
Double Ridged Guide Horn Antenna	RFSPIN	DRH18-E	LE2C03A18 EN	1GHz~18GHz	Jul. 11, 2024	Dec. 25, 2024 ~ Feb. 21, 2025	Jul. 10, 2025	Radiation (03CH21-HY)
SHF-EHF Horn Antenna	SCHWARZBECK	BBHA 9170	1224	18GHz~40GHz	Jun. 24, 2024	Dec. 25, 2024 ~ Feb. 21, 2025	Jun. 23, 2025	Radiation (03CH21-HY)
Amplifier	SONOMA	310N	421580	30MHz~1GHz	Jul. 14, 2024	Dec. 25, 2024 ~ Feb. 21, 2025	Jul. 13, 2025	Radiation (03CH21-HY)
Amplifier	EMEC	EM01G18GA	060876	1GHz~18GHz	Sep. 27, 2024	Dec. 25, 2024 ~ Feb. 21, 2025	Sep. 26, 2025	Radiation (03CH21-HY)
Preamplifier	EMEC	EM18G40G	060873	18GHz~40GHz	Sep. 02, 2024	Dec. 25, 2024 ~ Feb. 21, 2025	Sep. 01, 2025	Radiation (03CH21-HY)
Spectrum Analyzer	Keysight	N9010B	MY62170358	10Hz~44GHz	Sep. 06, 2024	Dec. 25, 2024 ~ Feb. 21, 2025	Sep. 05, 2025	Radiation (03CH21-HY)
RF Cable	HUBER + SUHNER	SUCOFLEX 102	803951/2	9kHz~30MHz	Mar. 06, 2024	Dec. 25, 2024 ~ Feb. 21, 2025	Mar. 05, 2025	Radiation (03CH21-HY)
RF Cable	HUBER + SUHNER	SUCOFLEX 102	804397/2,80 4612/2,8039 54/2	30MHz~40GHz	Aug. 12, 2024	Dec. 25, 2024 ~ Feb. 21, 2025	Aug. 11, 2025	Radiation (03CH21-HY)
Hygrometer	TECEPEL	DTM-303A	TP211568	N/A	Oct. 21, 2024	Dec. 25, 2024 ~ Feb. 21, 2025	Oct. 20, 2025	Radiation (03CH21-HY)
Controller	EMEC	EM 1000	N/A	Control Turn table & Ant Mast	N/A	Dec. 25, 2024 ~ Feb. 21, 2025	N/A	Radiation (03CH21-HY)
Antenna Mast	EMEC	AM-BS-4500- B	N/A	1~4m	N/A	Dec. 25, 2024 ~ Feb. 21, 2025	N/A	Radiation (03CH21-HY)
Turn Table	EMEC	TT 2000	N/A	0~360 Degree	N/A	Dec. 25, 2024 ~ Feb. 21, 2025	N/A	Radiation (03CH21-HY)
Software	Audix	E3 6.2009-8-24	RK-001053	N/A	N/A	Dec. 25, 2024 ~ Feb. 21, 2025	N/A	Radiation (03CH21-HY)



## 6 Measurement Uncertainty

### Uncertainty of Radiated Emission Measurement (30 MHz ~ 1000 MHz)

Measuring Uncertainty for a Level of Confidence of 95% ( $U = 2Uc(y)$ )	6.6 dB
---	--------

### Uncertainty of Radiated Emission Measurement (1 GHz ~ 6 GHz)

Measuring Uncertainty for a Level of Confidence of 95% ( $U = 2Uc(y)$ )	5.0 dB
---	--------

### Uncertainty of Radiated Emission Measurement (6 GHz ~ 18 GHz)

Measuring Uncertainty for a Level of Confidence of 95% ( $U = 2Uc(y)$ )	4.7 dB
---	--------

### Uncertainty of Radiated Emission Measurement (18 GHz ~ 40 GHz)

Measuring Uncertainty for a Level of Confidence of 95% ( $U = 2Uc(y)$ )	5.3 dB
---	--------



## Appendix A. Test Results of Conducted Test

### Conducted Output Power(Average power) and ERP/EIRP

<SISO Mode>

NR n2 Maximum Average Power [dBm] (GT - LC = 2.6 dB)								
BW [MHz]	RB Size	RB Offset	Mod	Lowest	Middle	Highest	EIRP (dBm)	EIRP(W)
5	1	1	PI/2 BPSK	23.97	23.92	23.86	26.57	0.4539
5	1	23		23.95	23.89	23.93		
5	12	6		23.85	23.87	23.84		
5	1	0		23.39	23.45	23.40		
5	1	24		23.37	23.40	23.45		
5	25	0		23.36	23.40	23.35		
5	1	1	QPSK	23.89	23.93	23.92		
5	1	23		23.86	23.85	23.86		
5	12	6		23.89	23.89	23.92		
5	1	0		22.85	22.91	22.80		
5	1	24		22.84	22.87	22.88		
5	25	0		22.89	22.89	22.88		
5	1	1	16-QAM	22.95	22.89	22.75	25.55	0.3589
5	1	1	64-QAM	21.53	21.48	21.41		
5	1	1	256-QAM	19.27	19.34	19.49		
Limit	EIRP < 2W			Result			Pass	

NR n2 Maximum Average Power [dBm] (GT - LC = 2.6 dB)								
BW [MHz]	RB Size	RB Offset	Mod	Lowest	Middle	Highest	EIRP (dBm)	EIRP(W)
10	1	1	PI/2 BPSK	23.94	23.87	23.93	26.64	0.4613
10	1	50		23.96	23.84	23.94		
10	25	12		23.94	23.88	23.92		
10	1	0		23.52	23.38	23.45		
10	1	51		23.49	23.39	23.44		
10	50	0		23.46	23.40	23.40		
10	1	1	QPSK	24.04	23.86	23.93		
10	1	50		24.02	23.83	23.90		
10	25	12		23.98	23.93	23.94		
10	1	0		23.02	22.82	22.95		
10	1	51		22.91	22.87	22.88		
10	50	0		22.99	22.85	22.89		
10	1	1	16-QAM	22.84	22.93	22.83	25.53	0.3573
10	1	1	64-QAM	21.37	21.62	21.34		
10	1	1	256-QAM	19.46	19.47	19.47		
Limit	EIRP < 2W			Result			Pass	



NR n2 Maximum Average Power [dBm] (GT - LC = 2.6 dB)										
BW [MHz]	RB Size	RB Offset	Mod	Lowest	Middle	Highest	EIRP (dBm)	EIRP(W)		
15	1	1	PI/2 BPSK	23.94	23.87	23.86	26.57	0.4539		
15	1	77		23.88	23.93	23.87				
15	36	18		23.97	23.89	23.84				
15	1	0		23.41	23.41	23.31				
15	1	78		23.38	23.42	23.36				
15	75	0		23.43	23.46	23.28				
15	1	1	QPSK	23.93	23.92	23.89			25.73	0.3741
15	1	77		23.89	23.93	23.94				
15	36	18		23.96	23.91	23.83				
15	1	0		22.96	22.85	22.81				
15	1	78		22.88	22.90	22.83				
15	75	0		22.93	22.86	22.89				
15	1	1	16-QAM	23.09	23.13	22.85	25.73	0.3741		
15	1	1	64-QAM	21.70	21.42	21.28				
15	1	1	256-QAM	19.26	19.35	19.35				
Limit	EIRP < 2W			Result			Pass			

NR n2 Maximum Average Power [dBm] (GT - LC = 2.6 dB)										
BW [MHz]	RB Size	RB Offset	Mod	Lowest	Middle	Highest	EIRP (dBm)	EIRP(W)		
20	1	1	PI/2 BPSK	23.93	23.92	23.92	26.59	0.4560		
20	1	104		23.92	23.96	23.89				
20	50	25		23.93	23.92	23.86				
20	1	0		23.43	23.36	23.40				
20	1	105		23.42	23.42	23.35				
20	100	0		23.43	23.43	23.40				
20	1	1	QPSK	23.88	23.96	23.99			25.67	0.3690
20	1	104		23.86	23.95	23.89				
20	50	25		23.94	23.91	23.84				
20	1	0		22.94	22.91	22.89				
20	1	105		22.95	22.93	22.82				
20	100	0		22.93	22.94	22.82				
20	1	1	16-QAM	23.00	22.98	23.07	25.67	0.3690		
20	1	1	64-QAM	21.57	21.39	21.49				
20	1	1	256-QAM	19.37	19.30	19.36				
Limit	EIRP < 2W			Result			Pass			



NR n2 Maximum Average Power [dBm] (GT - LC = 2.6 dB)										
BW [MHz]	RB Size	RB Offset	Mod	Lowest	Middle	Highest	EIRP (dBm)	EIRP(W)		
25	1	1	PI/2 BPSK	23.98	23.99	23.96	26.62	0.4592		
25	1	131		23.88	23.93	23.86				
25	64	32		23.86	23.94	23.89				
25	1	0		23.44	23.52	23.51				
25	1	132		23.34	23.46	23.39				
25	128	0		23.36	23.45	23.34				
25	1	1	QPSK	23.97	24.02	23.91			25.87	0.3864
25	1	131		23.83	23.98	23.75				
25	64	32		23.88	23.92	23.88				
25	1	0		22.91	22.91	22.92				
25	1	132		22.79	22.81	22.84				
25	128	0		22.90	22.96	22.86				
25	1	1	16-QAM	22.78	23.27	23.03	25.87	0.3864		
25	1	1	64-QAM	21.50	21.37	21.47				
25	1	1	256-QAM	19.23	19.34	19.49				
Limit	EIRP < 2W			Result			Pass			

NR n2 Maximum Average Power [dBm] (GT - LC = 2.6 dB)										
BW [MHz]	RB Size	RB Offset	Mod	Lowest	Middle	Highest	EIRP (dBm)	EIRP(W)		
30	1	1	PI/2 BPSK	23.96	23.87	23.95	26.59	0.4560		
30	1	158		23.99	23.85	23.90				
30	80	40		23.88	23.78	23.85				
30	1	0		23.52	23.39	23.47				
30	1	159		23.49	23.35	23.39				
30	160	0		23.43	23.30	23.40				
30	1	1	QPSK	23.94	23.84	23.97			25.66	0.3681
30	1	158		23.93	23.84	23.89				
30	80	40		23.94	23.86	23.92				
30	1	0		22.98	22.86	22.95				
30	1	159		22.91	22.92	22.86				
30	160	0		22.87	22.86	22.85				
30	1	1	16-QAM	23.00	22.90	23.06	25.66	0.3681		
30	1	1	64-QAM	21.57	21.48	21.56				
30	1	1	256-QAM	19.34	19.36	19.46				
Limit	EIRP < 2W			Result			Pass			



NR n2 Maximum Average Power [dBm] (GT - LC = 2.6 dB)								
BW [MHz]	RB Size	RB Offset	Mod	Lowest	Middle	Highest	EIRP (dBm)	EIRP(W)
40	1	1	PI/2 BPSK	23.91	23.87	23.86	26.53	0.4498
40	1	214		23.88	23.81	23.83		
40	108	54		23.86	23.87	23.85		
40	1	0		23.43	23.37	23.41		
40	1	215		23.39	23.35	23.36		
40	216	0		23.40	23.42	23.35		
40	1	1	QPSK	23.93	23.89	23.85	25.53	0.3573
40	1	214		23.89	23.86	23.88		
40	108	54		23.89	23.89	23.87		
40	1	0		22.89	22.86	22.88		
40	1	215		22.91	22.88	22.85		
40	216	0		22.93	22.88	22.90		
40	1	1	16-QAM	22.93	22.82	22.87	25.53	0.3573
40	1	1	64-QAM	21.39	21.45	21.42		
40	1	1	256-QAM	19.36	19.28	19.42		
Limit	EIRP < 2W			Result			Pass	





NR n5 Maximum Average Power [dBm] (GT - LC = -2.6 dB)								
BW [MHz]	RB Size	RB Offset	Mod	Lowest	Middle	Highest	ERP (dBm)	ERP(W)
5	1	1	PI/2 BPSK	23.99	24.00	24.11	19.42	0.0875
5	1	23		23.99	24.10	24.17		
5	12	6		23.93	24.01	24.08		
5	1	0		23.47	23.46	23.69		
5	1	24		23.45	23.59	23.66		
5	25	0		23.42	23.62	23.66		
5	1	1	QPSK	23.99	23.99	24.13		
5	1	23		23.90	24.03	24.13		
5	12	6		23.96	24.02	24.13		
5	1	0		22.96	22.96	23.11		
5	1	24		22.96	23.13	23.17		
5	25	0		22.96	23.07	23.10		
5	1	1	16-QAM	23.07	23.02	22.99	18.32	0.0679
5	1	1	64-QAM	21.75	21.40	21.72		
5	1	1	256-QAM	17.99	18.03	18.09		
Limit	ERP < 7W			Result			Pass	

NR n5 Maximum Average Power [dBm] (GT - LC = -2.6 dB)								
BW [MHz]	RB Size	RB Offset	Mod	Lowest	Middle	Highest	ERP (dBm)	ERP(W)
10	1	1	PI/2 BPSK	23.95	24.04	24.05	19.45	0.0881
10	1	50		23.96	24.20	24.13		
10	25	12		23.92	24.09	24.09		
10	1	0		23.46	23.47	23.52		
10	1	51		23.50	23.60	23.59		
10	50	0		23.40	23.58	23.55		
10	1	1	QPSK	24.02	24.02	24.06		
10	1	50		24.05	24.15	24.11		
10	25	12		23.91	24.09	24.09		
10	1	0		22.94	23.07	22.93		
10	1	51		22.97	23.08	23.09		
10	50	0		22.97	22.99	23.10		
10	1	1	16-QAM	23.00	23.06	23.14	18.39	0.0690
10	1	1	64-QAM	21.73	21.68	21.59		
10	1	1	256-QAM	17.89	18.02	18.15		
Limit	ERP < 7W			Result			Pass	



NR n5 Maximum Average Power [dBm] (GT - LC = -2.6 dB)										
BW [MHz]	RB Size	RB Offset	Mod	Lowest	Middle	Highest	ERP (dBm)	ERP(W)		
15	1	1	PI/2 BPSK	23.92	23.97	24.01	19.48	0.0887		
15	1	77		24.03	24.14	24.13				
15	36	18		23.94	24.04	24.11				
15	1	0		23.42	23.45	23.60				
15	1	78		23.58	23.67	23.56				
15	75	0		23.47	23.56	23.57				
15	1	1	QPSK	23.95	24.00	23.96			19.48	0.0887
15	1	77		24.00	24.23	24.17				
15	36	18		23.99	24.07	24.11				
15	1	0		22.96	23.01	23.06				
15	1	78		23.11	23.17	23.02				
15	75	0		22.99	23.05	23.06				
15	1	1	16-QAM	22.96	23.17	23.06	18.42	0.0695		
15	1	1	64-QAM	21.51	21.49	21.47				
15	1	1	256-QAM	18.03	18.02	18.10				
Limit	ERP < 7W			Result			Pass			

NR n5 Maximum Average Power [dBm] (GT - LC = -2.6 dB)										
BW [MHz]	RB Size	RB Offset	Mod	Lowest	Middle	Highest	ERP (dBm)	ERP(W)		
20	1	1	PI/2 BPSK	23.86	23.95	23.97	19.43	0.0877		
20	1	104		24.06	24.16	24.18				
20	50	25		23.91	24.07	24.09				
20	1	0		23.42	23.41	23.42				
20	1	105		23.60	23.63	23.59				
20	100	0		23.45	23.58	23.51				
20	1	1	QPSK	23.86	23.92	23.89			19.43	0.0877
20	1	104		24.11	24.16	24.14				
20	50	25		23.95	24.10	24.08				
20	1	0		22.84	22.91	22.87				
20	1	105		23.03	23.11	23.12				
20	100	0		22.97	23.05	23.07				
20	1	1	16-QAM	22.99	23.00	22.90	18.25	0.0668		
20	1	1	64-QAM	21.66	21.44	21.64				
20	1	1	256-QAM	18.02	17.77	18.01				
Limit	ERP < 7W			Result			Pass			



NR n7 Maximum Average Power [dBm] (GT - LC = 1.3 dB)								
BW [MHz]	RB Size	RB Offset	Mod	Lowest	Middle	Highest	EIRP (dBm)	EIRP(W)
5	1	1	PI/2 BPSK	24.35	24.10	24.27	25.69	0.3707
5	1	23		24.36	24.12	24.28		
5	12	6		24.33	24.06	24.21		
5	1	0		23.89	23.61	23.78		
5	1	24		23.82	23.59	23.80		
5	25	0		22.73	22.61	22.75		
5	1	1	QPSK	24.35	24.10	24.31		
5	1	23		24.39	24.12	24.31		
5	12	6		24.33	24.09	24.36		
5	1	0		23.31	23.07	23.32		
5	1	24		23.39	23.10	23.27		
5	25	0		22.34	22.12	22.33		
5	1	1	16-QAM	23.41	23.21	23.16	24.71	0.2958
5	1	1	64-QAM	22.12	21.78	21.57		
5	1	1	256-QAM	19.42	19.47	19.56		
Limit	Power < 2W			Result			Pass	

NR n7 Maximum Average Power [dBm] (GT - LC = 1.3 dB)								
BW [MHz]	RB Size	RB Offset	Mod	Lowest	Middle	Highest	EIRP (dBm)	EIRP(W)
10	1	1	PI/2 BPSK	24.23	24.04	24.16	25.57	0.3606
10	1	50		24.14	24.21	24.27		
10	25	12		24.17	24.05	24.26		
10	1	0		23.66	23.57	23.67		
10	1	51		23.64	23.68	23.69		
10	50	0		22.67	22.61	22.76		
10	1	1	QPSK	24.24	24.15	24.20		
10	1	50		24.17	24.24	24.25		
10	25	12		24.25	24.09	24.23		
10	1	0		23.18	23.20	23.14		
10	1	51		23.23	23.25	23.24		
10	50	0		22.19	22.07	22.24		
10	1	1	16-QAM	23.11	23.24	23.24	24.54	0.2844
10	1	1	64-QAM	21.61	21.55	21.76		
10	1	1	256-QAM	19.54	19.47	19.67		
Limit	Power < 2W			Result			Pass	



NR n7 Maximum Average Power [dBm] (GT - LC = 1.3 dB)										
BW [MHz]	RB Size	RB Offset	Mod	Lowest	Middle	Highest	EIRP (dBm)	EIRP(W)		
15	1	1	PI/2 BPSK	24.23	24.09	24.38	25.70	0.3715		
15	1	77		24.19	24.16	24.36				
15	36	18		24.29	24.04	24.34				
15	1	0		23.74	23.56	23.82				
15	1	78		23.69	23.63	23.86				
15	75	0		22.63	22.65	22.84				
15	1	1	QPSK	24.24	24.09	24.39			24.83	0.3041
15	1	77		24.17	24.11	24.40				
15	36	18		24.34	24.09	24.35				
15	1	0		23.21	23.01	23.28				
15	1	78		23.13	23.13	23.29				
15	75	0		22.17	22.11	22.32				
15	1	1	16-QAM	23.29	23.10	23.53	24.83	0.3041		
15	1	1	64-QAM	21.81	21.52	21.92				
15	1	1	256-QAM	19.65	19.52	19.58				
Limit	Power < 2W			Result			Pass			

NR n7 Maximum Average Power [dBm] (GT - LC = 1.3 dB)										
BW [MHz]	RB Size	RB Offset	Mod	Lowest	Middle	Highest	EIRP (dBm)	EIRP(W)		
20	1	1	PI/2 BPSK	24.26	24.11	24.33	25.70	0.3715		
20	1	104		24.25	24.13	24.29				
20	50	25		24.26	24.06	24.31				
20	1	0		23.77	23.60	23.79				
20	1	105		23.72	23.68	23.79				
20	100	0		22.66	22.60	22.73				
20	1	1	QPSK	24.34	24.09	24.39			24.65	0.2917
20	1	104		24.21	24.23	24.40				
20	50	25		24.26	24.13	24.34				
20	1	0		23.21	23.01	23.36				
20	1	105		23.18	23.12	23.37				
20	100	0		22.23	22.05	22.34				
20	1	1	16-QAM	23.35	22.99	23.35	24.65	0.2917		
20	1	1	64-QAM	21.76	21.68	21.94				
20	1	1	256-QAM	19.70	19.44	19.79				
Limit	Power < 2W			Result			Pass			



NR n7 Maximum Average Power [dBm] (GT - LC = 1.3 dB)										
BW [MHz]	RB Size	RB Offset	Mod	Lowest	Middle	Highest	EIRP (dBm)	EIRP(W)		
25	1	1	PI/2 BPSK	24.36	24.07	24.30	25.75	0.3758		
25	1	131		24.22	24.26	24.34				
25	64	32		24.31	24.11	24.27				
25	1	0		23.83	23.52	23.77				
25	1	132		23.78	23.77	23.78				
25	128	0		22.77	22.63	22.76				
25	1	1	QPSK	24.39	24.13	24.38			24.78	0.3006
25	1	131		24.30	24.40	24.45				
25	64	32		24.32	24.10	24.31				
25	1	0		23.36	23.03	23.27				
25	1	132		23.24	23.24	23.32				
25	128	0		22.26	22.09	22.27				
25	1	1	16-QAM	23.44	23.14	23.48	24.78	0.3006		
25	1	1	64-QAM	21.88	21.41	21.93				
25	1	1	256-QAM	19.70	19.32	19.71				
Limit	Power < 2W			Result			Pass			

NR n7 Maximum Average Power [dBm] (GT - LC = 1.3 dB)										
BW [MHz]	RB Size	RB Offset	Mod	Lowest	Middle	Highest	EIRP (dBm)	EIRP(W)		
30	1	1	PI/2 BPSK	24.18	24.09	24.17	25.64	0.3664		
30	1	158		24.20	24.31	24.31				
30	80	40		24.15	24.13	24.20				
30	1	0		23.70	23.61	23.65				
30	1	159		23.65	23.76	23.79				
30	160	0		22.58	22.61	22.74				
30	1	1	QPSK	24.24	24.20	24.26			24.48	0.2805
30	1	158		24.26	24.33	24.34				
30	80	40		24.18	24.11	24.17				
30	1	0		23.18	23.12	23.24				
30	1	159		23.14	23.32	23.35				
30	160	0		22.12	22.11	22.22				
30	1	1	16-QAM	23.14	23.09	23.18	24.48	0.2805		
30	1	1	64-QAM	21.63	21.52	21.57				
30	1	1	256-QAM	19.58	19.66	19.60				
Limit	Power < 2W			Result			Pass			



NR n7 Maximum Average Power [dBm] (GT - LC = 1.3 dB)										
BW [MHz]	RB Size	RB Offset	Mod	Lowest	Middle	Highest	EIRP (dBm)	EIRP(W)		
40	1	1	PI/2 BPSK	24.33	24.18	24.36	25.82	0.3819		
40	1	214		24.33	24.38	24.49				
40	108	54		24.21	24.18	24.35				
40	1	0		23.82	23.60	23.82				
40	1	215		23.78	23.76	23.96				
40	216	0		22.74	22.57	22.86				
40	1	1	QPSK	24.32	24.23	24.30			25.82	0.3819
40	1	214		24.25	24.30	24.52				
40	108	54		24.27	24.22	24.34				
40	1	0		23.19	23.24	23.18				
40	1	215		23.20	23.36	23.36				
40	216	0		22.19	22.14	22.28				
40	1	1	16-QAM	23.37	23.26	23.30	24.67	0.2931		
40	1	1	64-QAM	21.83	21.56	21.91				
40	1	1	256-QAM	19.65	19.80	19.75				
Limit	Power < 2W			Result			Pass			

NR n7 Maximum Average Power [dBm] (GT - LC = 1.3 dB)										
BW [MHz]	RB Size	RB Offset	Mod	Lowest	Middle	Highest	EIRP (dBm)	EIRP(W)		
50	1	1	PI/2 BPSK	24.29	24.32	24.19	25.80	0.3802		
50	1	268		24.48	24.38	24.44				
50	135	67		24.21	24.19	24.33				
50	1	0		23.79	23.75	23.68				
50	1	269		23.85	23.92	23.87				
50	270	0		22.61	22.65	22.74				
50	1	1	QPSK	24.33	24.20	24.27			25.80	0.3802
50	1	268		24.41	24.39	24.50				
50	135	67		24.15	24.19	24.27				
50	1	0		23.28	23.17	23.24				
50	1	269		23.44	23.32	23.38				
50	270	0		22.18	22.14	22.17				
50	1	1	16-QAM	23.29	23.34	23.24	24.64	0.2911		
50	1	1	64-QAM	21.70	21.73	21.73				
50	1	1	256-QAM	19.83	19.74	19.60				
Limit	Power < 2W			Result			Pass			



NR n12 Maximum Average Power [dBm] (GT - LC = -2.8 dB)								
BW [MHz]	RB Size	RB Offset	Mod	Lowest	Middle	Highest	ERP (dBm)	ERP(W)
5	1	1	PI/2 BPSK	24.34	24.47	24.41	19.55	0.0902
5	1	23		24.46	24.46	24.40		
5	12	6		24.44	24.37	24.41		
5	1	0		23.90	23.98	23.89		
5	1	24		23.97	23.95	23.97		
5	25	0		23.99	23.92	23.98		
5	1	1	QPSK	24.35	24.49	24.40		
5	1	23		24.43	24.50	24.49		
5	12	6		24.46	24.44	24.45		
5	1	0		23.27	23.47	23.44		
5	1	24		23.50	23.47	23.45		
5	25	0		23.45	23.44	23.42		
5	1	1	16-QAM	23.53	23.36	23.39	18.58	0.0721
5	1	1	64-QAM	22.09	22.38	21.85		
5	1	1	256-QAM	19.13	19.55	19.65		
Limit	ERP < 3W			Result			Pass	

NR n12 Maximum Average Power [dBm] (GT - LC = -2.8 dB)								
BW [MHz]	RB Size	RB Offset	Mod	Lowest	Middle	Highest	ERP (dBm)	ERP(W)
10	1	1	PI/2 BPSK	24.30	24.42	24.41	19.54	0.0899
10	1	50		24.36	24.37	24.47		
10	25	12		24.38	24.38	24.41		
10	1	0		23.77	23.91	23.93		
10	1	51		23.88	23.96	23.93		
10	50	0		23.83	23.97	23.95		
10	1	1	QPSK	24.32	24.46	24.47		
10	1	50		24.31	24.42	24.49		
10	25	12		24.41	24.37	24.44		
10	1	0		23.23	23.39	23.41		
10	1	51		23.39	23.34	23.51		
10	50	0		23.37	23.44	23.45		
10	1	1	16-QAM	23.36	23.57	23.37	18.62	0.0728
10	1	1	64-QAM	21.86	21.98	21.99		
10	1	1	256-QAM	19.36	19.57	19.44		
Limit	ERP < 3W			Result			Pass	



NR n12 Maximum Average Power [dBm] (GT - LC = -2.8 dB)								
BW [MHz]	RB Size	RB Offset	Mod	Lowest	Middle	Highest	ERP (dBm)	ERP(W)
15	1	1	PI/2 BPSK	24.37	24.38	24.41	19.66	0.0925
15	1	77		24.61	24.49	24.47		
15	36	18		24.55	24.46	24.41		
15	1	0		23.91	23.79	23.90		
15	1	78		24.08	24.02	23.99		
15	75	0		24.03	23.96	23.88		
15	1	1	QPSK	24.43	24.35	24.42	19.66	0.0925
15	1	77		24.55	24.52	24.57		
15	36	18		24.56	24.48	24.44		
15	1	0		23.44	23.42	23.46		
15	1	78		23.52	23.58	23.52		
15	75	0		23.57	23.44	23.41		
15	1	1	16-QAM	23.44	23.44	23.45	18.50	0.0708
15	1	1	64-QAM	22.05	21.90	21.91		
15	1	1	256-QAM	19.41	19.40	19.43		
Limit	ERP < 3W			Result			Pass	





NR n14 Maximum Average Power [dBm] (GT - LC = -2.1 dB)								
BW [MHz]	RB Size	RB Offset	Mod	Lowest	Middle	Highest	ERP (dBm)	ERP(W)
5	1	1	PI/2 BPSK	24.12	24.04	24.12	19.97	0.0993
5	1	23		24.11	24.19	24.22		
5	12	6		24.13	24.07	24.17		
5	1	0		23.63	23.55	23.60		
5	1	24		23.54	23.62	23.72		
5	25	0		23.64	23.57	23.64		
5	1	1	QPSK	24.09	24.05	24.15		
5	1	23		24.13	24.12	24.22		
5	12	6		24.15	24.09	24.18		
5	1	0		23.18	23.04	23.08		
5	1	24		23.07	23.17	23.18		
5	25	0		23.08	23.18	23.21		
5	1	1	16-QAM	23.00	23.02	23.08	18.83	0.0764
5	1	1	64-QAM	21.57	21.68	21.59		
5	1	1	256-QAM	19.19	19.02	19.24		
Limit	ERP < 3W			Result			Pass	

NR n14 Maximum Average Power [dBm] (GT - LC = -2.1 dB)								
BW [MHz]	RB Size	RB Offset	Mod	Lowest	Middle	Highest	ERP (dBm)	ERP(W)
10	1	1	PI/2 BPSK	-	24.03	-	19.89	0.0975
10	1	50		-	24.14	-		
10	25	12		-	24.11	-		
10	1	0		-	23.55	-		
10	1	51		-	23.57	-		
10	50	0		-	23.59	-		
10	1	1	QPSK	-	24.10	-		
10	1	50		-	24.11	-		
10	25	12		-	24.07	-		
10	1	0		-	23.04	-		
10	1	51		-	23.08	-		
10	50	0		-	23.03	-		
10	1	1	16-QAM	-	23.05	-	18.80	0.0759
10	1	1	64-QAM	-	21.55	-		
10	1	1	256-QAM	-	19.10	-		
Limit	ERP < 3W			Result			Pass	



NR n25 Maximum Average Power [dBm] (GT - LC = 2.6 dB)										
BW [MHz]	RB Size	RB Offset	Mod	Lowest	Middle	Highest	EIRP (dBm)	EIRP(W)		
5	1	1	PI/2 BPSK	23.87	23.89	23.78	26.55	0.4519		
5	1	23		23.89	23.95	23.75				
5	12	6		23.90	23.84	23.72				
5	1	0		23.36	23.37	23.32				
5	1	24		23.44	23.37	23.27				
5	25	0		23.43	23.40	23.31				
5	1	1	QPSK	23.82	23.89	23.80			25.58	0.3614
5	1	23		23.78	23.93	23.77				
5	12	6		23.91	23.84	23.82				
5	1	0		22.88	22.87	22.79				
5	1	24		22.87	22.86	22.79				
5	25	0		22.94	22.90	22.75				
5	1	1	16-QAM	22.98	22.97	22.77	25.58	0.3614		
5	1	1	64-QAM	21.42	21.45	20.94				
5	1	1	256-QAM	19.36	19.45	19.21				
Limit	EIRP < 2W			Result			Pass			

NR n25 Maximum Average Power [dBm] (GT - LC = 2.6 dB)										
BW [MHz]	RB Size	RB Offset	Mod	Lowest	Middle	Highest	EIRP (dBm)	EIRP(W)		
10	1	1	PI/2 BPSK	24.03	23.89	23.82	26.63	0.4603		
10	1	50		23.95	23.89	23.77				
10	25	12		23.96	23.87	23.90				
10	1	0		23.56	23.41	23.29				
10	1	51		23.56	23.36	23.31				
10	50	0		23.50	23.40	23.40				
10	1	1	QPSK	24.02	23.83	23.84			25.58	0.3614
10	1	50		23.92	23.88	23.84				
10	25	12		24.01	23.91	23.87				
10	1	0		22.94	22.87	22.75				
10	1	51		22.96	22.91	22.81				
10	50	0		23.05	22.88	22.92				
10	1	1	16-QAM	22.98	22.92	22.95	25.58	0.3614		
10	1	1	64-QAM	21.49	21.44	21.29				
10	1	1	256-QAM	19.37	19.25	19.43				
Limit	EIRP < 2W			Result			Pass			



NR n25 Maximum Average Power [dBm] (GT - LC = 2.6 dB)								
BW [MHz]	RB Size	RB Offset	Mod	Lowest	Middle	Highest	EIRP (dBm)	EIRP(W)
15	1	1	PI/2 BPSK	23.98	23.83	23.84	26.58	0.4550
15	1	77		23.91	23.87	23.85		
15	36	18		23.92	23.84	23.88		
15	1	0		23.49	23.35	23.44		
15	1	78		23.37	23.34	23.32		
15	75	0		23.44	23.35	23.32		
15	1	1	QPSK	23.97	23.88	23.89		
15	1	77		23.90	23.89	23.89		
15	36	18		23.91	23.86	23.94		
15	1	0		22.89	22.89	22.84		
15	1	78		22.86	22.94	22.85		
15	75	0		22.94	22.83	22.87		
15	1	1	16-QAM	22.98	22.94	22.95	25.58	0.3614
15	1	1	64-QAM	21.41	21.31	21.56		
15	1	1	256-QAM	19.44	19.22	19.43		
Limit	EIRP < 2W			Result			Pass	

NR n25 Maximum Average Power [dBm] (GT - LC = 2.6 dB)								
BW [MHz]	RB Size	RB Offset	Mod	Lowest	Middle	Highest	EIRP (dBm)	EIRP(W)
20	1	1	PI/2 BPSK	23.98	23.87	23.87	26.58	0.4550
20	1	104		23.89	23.93	23.87		
20	50	25		23.90	23.95	23.89		
20	1	0		23.43	23.30	23.46		
20	1	105		23.48	23.40	23.34		
20	100	0		23.45	23.35	23.36		
20	1	1	QPSK	23.90	23.87	23.97		
20	1	104		23.84	23.95	23.88		
20	50	25		23.94	23.87	23.84		
20	1	0		22.93	22.80	22.91		
20	1	105		22.94	22.96	22.83		
20	100	0		22.95	22.90	22.87		
20	1	1	16-QAM	22.87	22.77	22.91	25.51	0.3556
20	1	1	64-QAM	21.46	21.53	21.51		
20	1	1	256-QAM	19.41	19.35	19.56		
Limit	EIRP < 2W			Result			Pass	



NR n25 Maximum Average Power [dBm] (GT - LC = 2.6 dB)								
BW [MHz]	RB Size	RB Offset	Mod	Lowest	Middle	Highest	EIRP (dBm)	EIRP(W)
25	1	1	PI/2 BPSK	23.91	23.87	23.88	26.54	0.4508
25	1	131		23.83	23.94	23.75		
25	64	32		23.87	23.86	23.83		
25	1	0		23.44	23.38	23.37		
25	1	132		23.34	23.39	23.29		
25	128	0		23.34	23.39	23.35		
25	1	1	QPSK	23.86	23.90	23.85		
25	1	131		23.90	23.87	23.82		
25	64	32		23.87	23.90	23.84		
25	1	0		22.85	22.88	22.82		
25	1	132		22.94	22.85	22.90		
25	128	0		22.88	22.84	22.81		
25	1	1	16-QAM	22.81	22.90	22.86	25.50	0.3548
25	1	1	64-QAM	21.47	21.48	21.45		
25	1	1	256-QAM	19.48	19.48	19.38		
Limit	EIRP < 2W			Result			Pass	

NR n25 Maximum Average Power [dBm] (GT - LC = 2.6 dB)								
BW [MHz]	RB Size	RB Offset	Mod	Lowest	Middle	Highest	EIRP (dBm)	EIRP(W)
30	1	1	PI/2 BPSK	23.98	23.90	23.93	26.61	0.4581
30	1	158		24.01	23.88	23.84		
30	80	40		24.00	23.85	23.87		
30	1	0		23.49	23.39	23.44		
30	1	159		23.50	23.36	23.30		
30	160	0		23.48	23.36	23.36		
30	1	1	QPSK	24.00	23.94	23.94		
30	1	158		23.95	23.91	23.75		
30	80	40		23.97	23.89	23.86		
30	1	0		23.03	22.94	22.91		
30	1	159		22.95	22.97	22.79		
30	160	0		23.00	22.87	22.85		
30	1	1	16-QAM	22.90	22.94	23.06	25.66	0.3681
30	1	1	64-QAM	21.60	21.49	21.43		
30	1	1	256-QAM	19.41	19.43	19.41		
Limit	EIRP < 2W			Result			Pass	



NR n25 Maximum Average Power [dBm] (GT - LC = 2.6 dB)										
BW [MHz]	RB Size	RB Offset	Mod	Lowest	Middle	Highest	EIRP (dBm)	EIRP(W)		
35	1	1	PI/2 BPSK	23.99	23.86	23.99	26.68	0.4656		
35	1	186		23.88	23.85	23.87				
35	90	45		23.98	23.88	23.94				
35	1	0		23.46	23.42	23.51				
35	1	187		23.45	23.43	23.31				
35	180	0		23.48	23.41	23.43				
35	1	1	QPSK	23.95	23.98	24.08			25.67	0.3690
35	1	186		23.84	23.98	23.89				
35	90	45		23.91	23.91	23.95				
35	1	0		22.95	22.89	23.02				
35	1	187		22.89	22.81	22.87				
35	180	0		22.98	22.92	22.91				
35	1	1	16-QAM	22.89	22.96	23.07	25.67	0.3690		
35	1	1	64-QAM	21.54	21.24	21.63				
35	1	1	256-QAM	19.31	19.33	19.49				
Limit	EIRP < 2W			Result			Pass			

NR n25 Maximum Average Power [dBm] (GT - LC = 2.6 dB)										
BW [MHz]	RB Size	RB Offset	Mod	Lowest	Middle	Highest	EIRP (dBm)	EIRP(W)		
40	1	1	PI/2 BPSK	23.97	23.89	23.91	26.60	0.4571		
40	1	214		23.95	23.88	23.80				
40	108	54		23.91	23.85	23.93				
40	1	0		23.43	23.40	23.54				
40	1	215		23.45	23.37	23.34				
40	216	0		23.46	23.38	23.41				
40	1	1	QPSK	23.97	23.81	24.00			25.70	0.3715
40	1	214		23.93	23.80	23.85				
40	108	54		23.92	23.86	23.90				
40	1	0		23.00	22.84	22.99				
40	1	215		22.94	22.78	22.80				
40	216	0		22.93	22.92	22.93				
40	1	1	16-QAM	22.96	22.89	23.10	25.70	0.3715		
40	1	1	64-QAM	21.59	21.32	21.87				
40	1	1	256-QAM	19.47	19.36	19.43				
Limit	EIRP < 2W			Result			Pass			



NR n26 Maximum Average Power [dBm] (GT - LC = -2.2 dB)								
BW [MHz]	RB Size	RB Offset	Mod	Lowest	Middle	Highest	ERP (dBm)	ERP(W)
5	1	1	PI/2 BPSK	23.91	23.96	24.20	19.85	0.0966
5	1	23		24.00	24.11	24.15		
5	12	6		23.91	24.05	24.19		
5	1	0		23.53	23.47	23.64		
5	1	24		23.37	23.56	23.65		
5	25	0		23.43	23.55	23.67		
5	1	1	QPSK	23.96	24.02	24.19		
5	1	23		23.92	24.10	24.10		
5	12	6		23.94	24.04	24.17		
5	1	0		22.98	22.97	23.15		
5	1	24		22.96	23.12	23.12		
5	25	0		23.00	23.05	23.14		
5	1	1	16-QAM	23.11	23.00	23.10	18.76	0.0752
5	1	1	64-QAM	21.46	21.69	21.97		
5	1	1	256-QAM	18.02	17.94	18.25		
Limit	ERP < 7W			Result			Pass	

NR n26 Maximum Average Power [dBm] (GT - LC = -2.2 dB)								
BW [MHz]	RB Size	RB Offset	Mod	Lowest	Middle	Highest	ERP (dBm)	ERP(W)
10	1	1	PI/2 BPSK	24.00	23.98	24.05	19.78	0.0951
10	1	50		24.03	24.13	24.12		
10	25	12		23.91	24.00	24.09		
10	1	0		23.39	23.46	23.60		
10	1	51		23.45	23.61	23.53		
10	50	0		23.43	23.56	23.63		
10	1	1	QPSK	23.94	24.01	24.07		
10	1	50		23.97	24.12	24.13		
10	25	12		23.93	24.08	24.09		
10	1	0		22.87	22.89	23.03		
10	1	51		23.04	23.09	23.06		
10	50	0		22.90	23.01	23.10		
10	1	1	16-QAM	22.92	23.02	22.99	18.67	0.0736
10	1	1	64-QAM	21.27	21.57	21.73		
10	1	1	256-QAM	17.97	18.07	18.11		
Limit	ERP < 7W			Result			Pass	



NR n26 Maximum Average Power [dBm] (GT - LC = -2.2 dB)										
BW [MHz]	RB Size	RB Offset	Mod	Lowest	Middle	Highest	ERP (dBm)	ERP(W)		
15	1	1	PI/2 BPSK	23.98	23.94	23.88	19.89	0.0975		
15	1	77		24.05	24.17	24.10				
15	36	18		23.90	24.05	24.04				
15	1	0		23.49	23.44	23.53				
15	1	78		23.54	23.63	23.56				
15	75	0		23.46	23.54	23.60				
15	1	1	QPSK	23.92	24.04	23.99			18.62	0.0728
15	1	77		24.02	24.24	24.19				
15	36	18		23.93	24.03	24.04				
15	1	0		22.96	23.00	23.06				
15	1	78		23.07	23.18	23.18				
15	75	0		22.99	23.00	23.06				
15	1	1	16-QAM	22.92	22.86	22.97	18.62	0.0728		
15	1	1	64-QAM	21.46	21.34	21.66				
15	1	1	256-QAM	17.89	17.97	18.03				
Limit	ERP < 7W			Result			Pass			

NR n26 Maximum Average Power [dBm] (GT - LC = -2.2 dB)										
BW [MHz]	RB Size	RB Offset	Mod	Lowest	Middle	Highest	ERP (dBm)	ERP(W)		
20	1	1	PI/2 BPSK	23.89	23.90	23.91	19.82	0.0959		
20	1	104		24.13	24.09	24.12				
20	50	25		23.91	24.04	23.97				
20	1	0		23.36	23.43	23.46				
20	1	105		23.60	23.64	23.63				
20	100	0		23.42	23.54	23.47				
20	1	1	QPSK	23.90	23.93	23.90			18.72	0.0745
20	1	104		24.11	24.17	24.10				
20	50	25		23.91	24.01	24.03				
20	1	0		22.86	22.88	22.94				
20	1	105		23.06	23.11	23.08				
20	100	0		22.89	23.07	23.07				
20	1	1	16-QAM	22.86	23.07	22.90	18.72	0.0745		
20	1	1	64-QAM	21.31	21.53	21.44				
20	1	1	256-QAM	17.84	17.95	17.90				
Limit	ERP < 7W			Result			Pass			



NR n30 Maximum Average Power [dBm] (GT - LC = 0.2 dB)								
BW [MHz]	RB Size	RB Offset	Mod	Lowest	Middle	Highest	EIRP (dBm)	EIRP(W)
5	1	1	PI/2 BPSK	22.87	22.99	23.06	23.33	0.2153
5	1	23		22.94	22.98	23.09		
5	12	6		22.91	23.01	23.10		
5	1	0		22.93	22.98	23.09		
5	1	24		22.92	22.99	23.13		
5	25	0		22.98	22.98	23.07		
5	1	1	QPSK	22.90	22.92	23.02		
5	1	23		22.98	22.89	23.04		
5	12	6		22.95	23.01	23.04		
5	1	0		22.72	22.79	22.83		
5	1	24		22.71	22.80	22.86		
5	25	0		22.77	22.77	22.88		
5	1	1	16-QAM	22.70	22.89	22.94	23.14	0.2061
5	1	1	64-QAM	21.42	21.22	21.05		
5	1	1	256-QAM	19.15	19.16	19.35		
Limit	EIRP < 250 W/5MHz			Result			Pass	

NR n30 Maximum Average Power [dBm] (GT - LC = 0.2 dB)								
BW [MHz]	RB Size	RB Offset	Mod	Lowest	Middle	Highest	EIRP (dBm)	EIRP(W)
10	1	1	PI/2 BPSK	-	23.04	-	23.26	0.2118
10	1	50		-	23.06	-		
10	25	12		-	23.00	-		
10	1	0		-	22.99	-		
10	1	51		-	23.00	-		
10	50	0		-	22.97	-		
10	1	1	QPSK	-	23.01	-		
10	1	50		-	22.96	-		
10	25	12		-	23.02	-		
10	1	0		-	22.74	-		
10	1	51		-	22.89	-		
10	50	0		-	22.83	-		
10	1	1	16-QAM	-	22.82	-	23.02	0.2004
10	1	1	64-QAM	-	21.37	-		
10	1	1	256-QAM	-	19.32	-		
Limit	EIRP < 250 W/5MHz			Result			Pass	

Total EIRP power is less than partial EIRP limit 250 mW/5MHz.





NR n38 Maximum Average Power [dBm] (GT - LC = 3.3 dB)								
BW [MHz]	RB Size	RB Offset	Mod	Lowest	Middle	Highest	EIRP (dBm)	EIRP(W)
10	1	1	PI/2 BPSK	24.27	24.25	24.16	27.66	0.5834
10	1	22		24.27	24.32	24.20		
10	12	6		24.27	24.25	24.19		
10	1	0		23.79	23.75	23.64		
10	1	23		23.77	23.81	23.66		
10	24	0		23.76	23.71	23.66		
10	1	1	QPSK	24.36	24.28	24.18		
10	1	22		24.36	24.33	24.20		
10	12	6		24.28	24.23	24.22		
10	1	0		23.30	23.24	23.19		
10	1	23		23.33	23.22	23.16		
10	24	0		23.23	23.21	23.17		
10	1	1	16-QAM	23.22	23.01	23.23	26.53	0.4498
10	1	1	64-QAM	21.75	21.74	21.67		
10	1	1	256-QAM	19.65	19.55	19.54		
Limit	Power < 2W			Result			Pass	

NR n38 Maximum Average Power [dBm] (GT - LC = 3.3 dB)								
BW [MHz]	RB Size	RB Offset	Mod	Lowest	Middle	Highest	EIRP (dBm)	EIRP(W)
15	1	1	PI/2 BPSK	24.27	24.26	24.45	27.75	0.5957
15	1	36		24.26	24.29	24.36		
15	18	9		24.27	24.19	24.35		
15	1	0		23.77	23.74	23.89		
15	1	37		23.72	23.75	23.83		
15	36	0		23.71	23.67	23.80		
15	1	1	QPSK	24.33	24.30	24.41		
15	1	36		24.28	24.31	24.38		
15	18	9		24.29	24.24	24.37		
15	1	0		23.30	23.19	23.37		
15	1	37		23.25	23.20	23.32		
15	36	0		23.22	23.17	23.30		
15	1	1	16-QAM	23.23	23.11	23.53	26.83	0.4819
15	1	1	64-QAM	21.70	21.65	21.79		
15	1	1	256-QAM	19.67	19.61	19.75		
Limit	Power < 2W			Result			Pass	



NR n38 Maximum Average Power [dBm] (GT - LC = 3.3 dB)										
BW [MHz]	RB Size	RB Offset	Mod	Lowest	Middle	Highest	EIRP (dBm)	EIRP(W)		
20	1	1	PI/2 BPSK	24.33	24.24	24.35	27.68	0.5861		
20	1	49		24.36	24.28	24.28				
20	25	12		24.33	24.19	24.30				
20	1	0		23.85	23.72	23.86				
20	1	50		23.85	23.74	23.84				
20	50	0		23.78	23.69	23.78				
20	1	1	QPSK	24.38	24.29	24.38			26.64	0.4613
20	1	49		24.38	24.28	24.28				
20	25	12		24.35	24.26	24.32				
20	1	0		23.36	23.26	23.39				
20	1	50		23.36	23.26	23.29				
20	50	0		23.30	23.20	23.28				
20	1	1	16-QAM	23.34	23.22	23.34	26.64	0.4613		
20	1	1	64-QAM	21.75	21.76	21.90				
20	1	1	256-QAM	19.80	19.60	19.75				
Limit	Power < 2W			Result			Pass			

NR n38 Maximum Average Power [dBm] (GT - LC = 3.3 dB)										
BW [MHz]	RB Size	RB Offset	Mod	Lowest	Middle	Highest	EIRP (dBm)	EIRP(W)		
25	1	1	PI/2 BPSK	24.31	24.26	24.30	27.65	0.5821		
25	1	63		24.33	24.31	24.25				
25	32	16		24.20	24.23	24.20				
25	1	0		23.76	23.73	23.72				
25	1	64		23.75	23.78	23.68				
25	64	0		23.68	23.70	23.69				
25	1	1	QPSK	24.31	24.29	24.27			26.63	0.4603
25	1	63		24.35	24.32	24.31				
25	32	16		24.26	24.23	24.24				
25	1	0		23.29	23.26	23.23				
25	1	64		23.33	23.29	23.20				
25	64	0		23.23	23.19	23.18				
25	1	1	16-QAM	23.33	23.25	23.14	26.63	0.4603		
25	1	1	64-QAM	21.65	21.58	21.57				
25	1	1	256-QAM	19.73	19.62	19.80				
Limit	Power < 2W			Result			Pass			



NR n38 Maximum Average Power [dBm] (GT - LC = 3.3 dB)										
BW [MHz]	RB Size	RB Offset	Mod	Lowest	Middle	Highest	EIRP (dBm)	EIRP(W)		
30	1	1	PI/2 BPSK	24.31	24.27	24.24	27.65	0.5821		
30	1	76		24.33	24.32	24.24				
30	36	18		24.21	24.22	24.20				
30	1	0		23.77	23.74	23.70				
30	1	77		23.76	23.78	23.69				
30	75	0		23.69	23.70	23.67				
30	1	1	QPSK	24.31	24.29	24.27			26.63	0.4603
30	1	76		24.35	24.31	24.30				
30	36	18		24.25	24.23	24.23				
30	1	0		23.29	23.26	23.23				
30	1	77		23.34	23.29	23.20				
30	75	0		23.21	23.19	23.18				
30	1	1	16-QAM	23.33	23.26	23.13	26.63	0.4603		
30	1	1	64-QAM	21.64	21.56	21.58				
30	1	1	256-QAM	19.70	19.61	19.81				
Limit	Power < 2W			Result			Pass			

NR n38 Maximum Average Power [dBm] (GT - LC = 3.3 dB)										
BW [MHz]	RB Size	RB Offset	Mod	Lowest	Middle	Highest	EIRP (dBm)	EIRP(W)		
40	1	1	PI/2 BPSK	24.39	24.34	24.36	27.76	0.5970		
40	1	104		24.37	24.34	24.29				
40	50	25		24.35	24.24	24.34				
40	1	0		23.88	23.79	23.87				
40	1	105		23.82	23.83	23.81				
40	100	0		23.81	23.73	23.81				
40	1	1	QPSK	24.46	24.32	24.45			26.67	0.4645
40	1	104		24.40	24.33	24.37				
40	50	25		24.37	24.23	24.36				
40	1	0		23.38	23.31	23.38				
40	1	105		23.36	23.30	23.31				
40	100	0		23.32	23.22	23.32				
40	1	1	16-QAM	23.33	23.06	23.37	26.67	0.4645		
40	1	1	64-QAM	21.80	21.74	21.71				
40	1	1	256-QAM	19.77	19.74	19.72				
Limit	Power < 2W			Result			Pass			



NR n41 Maximum Average Power [dBm] (GT - LC = 3.5 dB)								
BW [MHz]	RB Size	RB Offset	Mod	Lowest	Middle	Highest	EIRP (dBm)	EIRP(W)
10	1	1	PI/2 BPSK	25.76	25.89	25.47	29.41	0.8730
10	1	22		25.77	25.88	25.44		
10	12	6		25.83	25.83	25.42		
10	1	0		22.69	22.74	22.29		
10	1	23		22.67	22.74	22.24		
10	24	0		24.21	24.27	23.81		
10	1	1	QPSK	25.83	25.91	25.49		
10	1	22		25.82	25.86	25.45		
10	12	6		25.83	25.88	25.48		
10	1	0		22.70	22.80	22.37		
10	1	23		22.66	22.75	22.34		
10	24	0		23.73	23.73	23.31		
10	1	1	16-QAM	24.95	24.93	24.41	28.45	0.6998
10	1	1	64-QAM	23.96	23.94	23.46		
10	1	1	256-QAM	21.72	21.72	21.31		
Limit	Power < 2W			Result			Pass	

NR n41 Maximum Average Power [dBm] (GT - LC = 3.5 dB)								
BW [MHz]	RB Size	RB Offset	Mod	Lowest	Middle	Highest	EIRP (dBm)	EIRP(W)
15	1	1	PI/2 BPSK	25.90	25.87	25.54	29.43	0.8770
15	1	36		25.83	25.88	25.54		
15	18	9		25.85	25.86	25.64		
15	1	0		22.76	22.72	22.41		
15	1	37		22.70	22.73	22.41		
15	36	0		24.25	24.25	24.00		
15	1	1	QPSK	25.84	25.91	25.63		
15	1	36		25.80	25.93	25.62		
15	18	9		25.88	25.87	25.67		
15	1	0		22.75	22.75	22.48		
15	1	37		22.70	22.75	22.49		
15	36	0		23.76	23.77	23.53		
15	1	1	16-QAM	24.83	24.96	24.44	28.46	0.7015
15	1	1	64-QAM	24.03	23.75	23.45		
15	1	1	256-QAM	21.61	21.82	21.41		
Limit	Power < 2W			Result			Pass	



NR n41 Maximum Average Power [dBm] (GT - LC = 3.5 dB)								
BW [MHz]	RB Size	RB Offset	Mod	Lowest	Middle	Highest	EIRP (dBm)	EIRP(W)
20	1	1	PI/2 BPSK	25.66	25.90	25.54	29.42	0.8750
20	1	49		25.67	25.87	25.53		
20	25	12		25.69	25.86	25.61		
20	1	0		22.59	22.78	22.43		
20	1	50		22.54	22.77	22.42		
20	50	0		24.09	24.28	24.01		
20	1	1	QPSK	25.73	25.92	25.63	28.32	0.6792
20	1	49		25.73	25.87	25.60		
20	25	12		25.71	25.86	25.64		
20	1	0		22.61	22.77	22.46		
20	1	50		22.52	22.72	22.48		
20	50	0		23.62	23.76	23.51		
20	1	1	16-QAM	24.66	24.82	24.61	28.32	0.6792
20	1	1	64-QAM	23.68	23.86	23.68		
20	1	1	256-QAM	21.68	21.76	21.42		
Limit	Power < 2W			Result			Pass	



NR n41 Maximum Average Power [dBm] (GT - LC = 3.5 dB)										
BW [MHz]	RB Size	RB Offset	Mod	Lowest	Middle	Highest	EIRP (dBm)	EIRP(W)		
30	1	1	PI/2 BPSK	25.81	25.87	25.66	29.49	0.8892		
30	1	76		25.72	25.89	25.58				
30	36	18		25.77	25.86	25.62				
30	1	0		22.69	22.74	22.54				
30	1	77		22.59	22.69	22.46				
30	75	0		24.19	24.26	24.04				
30	1	1	QPSK	25.76	25.99	25.74			29.49	0.8892
30	1	76		25.67	25.94	25.65				
30	36	18		25.80	25.89	25.67				
30	1	0		22.77	22.82	22.63				
30	1	77		22.66	22.79	22.51				
30	75	0		23.67	23.75	23.54				
30	1	1	16-QAM	24.86	24.94	24.62	28.44	0.6982		
30	1	1	64-QAM	23.76	23.61	23.71				
30	1	1	256-QAM	21.62	21.82	21.49				
Limit	Power < 2W			Result			Pass			

NR n41 Maximum Average Power [dBm] (GT - LC = 3.5 dB)										
BW [MHz]	RB Size	RB Offset	Mod	Lowest	Middle	Highest	EIRP (dBm)	EIRP(W)		
40	1	1	PI/2 BPSK	25.76	25.93	25.67	29.52	0.8954		
40	1	104		25.70	25.83	25.60				
40	50	25		25.65	25.88	25.59				
40	1	0		22.63	22.79	22.50				
40	1	105		22.56	22.68	22.45				
40	100	0		24.07	24.28	23.98				
40	1	1	QPSK	25.77	26.02	25.69			29.52	0.8954
40	1	104		25.70	25.90	25.63				
40	50	25		25.66	25.90	25.58				
40	1	0		22.70	22.81	22.56				
40	1	105		22.60	22.70	22.49				
40	100	0		23.58	23.77	23.50				
40	1	1	16-QAM	24.64	24.98	24.76	28.48	0.7047		
40	1	1	64-QAM	23.86	23.96	23.51				
40	1	1	256-QAM	21.68	21.75	21.57				
Limit	Power < 2W			Result			Pass			



NR n41 Maximum Average Power [dBm] (GT - LC = 3.5 dB)										
BW [MHz]	RB Size	RB Offset	Mod	Lowest	Middle	Highest	EIRP (dBm)	EIRP(W)		
50	1	1	PI/2 BPSK	25.87	25.93	25.91	29.57	0.9057		
50	1	131		25.89	25.83	25.65				
50	64	32		25.73	25.86	25.66				
50	1	0		22.77	22.79	22.76				
50	1	132		22.73	22.71	22.47				
50	128	0		24.22	24.29	24.12				
50	1	1	QPSK	25.88	26.07	25.93			28.49	0.7063
50	1	131		25.83	25.96	25.62				
50	64	32		25.76	25.88	25.67				
50	1	0		22.80	22.93	22.76				
50	1	132		22.75	22.81	22.46				
50	128	0		23.68	23.81	23.62				
50	1	1	16-QAM	24.99	24.86	24.84	28.49	0.7063		
50	1	1	64-QAM	23.95	24.03	23.94				
50	1	1	256-QAM	21.76	21.91	21.69				
Limit	Power < 2W			Result			Pass			

NR n41 Maximum Average Power [dBm] (GT - LC = 3.5 dB)										
BW [MHz]	RB Size	RB Offset	Mod	Lowest	Middle	Highest	EIRP (dBm)	EIRP(W)		
60	1	1	PI/2 BPSK	25.79	25.99	25.83	29.49	0.8892		
60	1	160		25.85	25.85	25.64				
60	81	40		25.63	25.86	25.55				
60	1	0		22.67	22.85	22.69				
60	1	161		22.72	22.70	22.49				
60	162	0		24.09	24.28	24.02				
60	1	1	QPSK	25.81	25.98	25.81			28.43	0.6966
60	1	160		25.90	25.83	25.62				
60	81	40		25.64	25.88	25.58				
60	1	0		22.70	22.89	22.72				
60	1	161		22.73	22.72	22.50				
60	162	0		23.59	23.78	23.53				
60	1	1	16-QAM	24.65	24.93	24.91	28.43	0.6966		
60	1	1	64-QAM	23.64	23.87	23.65				
60	1	1	256-QAM	21.69	21.85	21.69				
Limit	Power < 2W			Result			Pass			



NR n41 Maximum Average Power [dBm] (GT - LC = 3.5 dB)										
BW [MHz]	RB Size	RB Offset	Mod	Lowest	Middle	Highest	EIRP (dBm)	EIRP(W)		
70	1	1	PI/2 BPSK	25.87	25.95	25.79	29.53	0.8974		
70	1	187		25.89	25.79	25.68				
70	90	45		25.73	25.88	25.50				
70	1	0		22.76	22.86	22.64				
70	1	188		22.79	22.68	22.51				
70	180	0		24.18	24.28	23.98				
70	1	1	QPSK	25.95	26.03	25.73			28.45	0.6998
70	1	187		26.03	25.87	25.63				
70	90	45		25.78	25.89	25.51				
70	1	0		22.87	22.87	22.59				
70	1	188		22.86	22.65	22.44				
70	180	0		23.69	23.79	23.45				
70	1	1	16-QAM	24.74	24.95	24.87	28.45	0.6998		
70	1	1	64-QAM	23.84	23.92	23.72				
70	1	1	256-QAM	21.76	21.87	21.62				
Limit	Power < 2W			Result			Pass			

NR n41 Maximum Average Power [dBm] (GT - LC = 3.5 dB)										
BW [MHz]	RB Size	RB Offset	Mod	Lowest	Middle	Highest	EIRP (dBm)	EIRP(W)		
80	1	1	PI/2 BPSK	25.85	25.95	25.94	29.50	0.8913		
80	1	215		26.00	25.81	25.65				
80	108	54		25.65	25.87	25.61				
80	1	0		22.74	22.85	22.77				
80	1	216		22.81	22.67	22.52				
80	216	0		24.13	24.31	24.08				
80	1	1	QPSK	25.88	25.96	25.96			28.44	0.6982
80	1	215		25.97	25.82	25.72				
80	108	54		25.69	25.88	25.64				
80	1	0		22.77	22.88	22.82				
80	1	216		22.87	22.75	22.55				
80	216	0		23.60	23.80	23.59				
80	1	1	16-QAM	24.69	24.86	24.94	28.44	0.6982		
80	1	1	64-QAM	23.91	23.87	23.79				
80	1	1	256-QAM	21.77	21.88	21.83				
Limit	Power < 2W			Result			Pass			





NR n41 Maximum Average Power [dBm] (GT - LC = 3.5 dB)										
BW [MHz]	RB Size	RB Offset	Mod	Lowest	Middle	Highest	EIRP (dBm)	EIRP(W)		
90	1	1	PI/2 BPSK	25.91	25.95	26.08	29.58	0.9078		
90	1	243		25.95	25.94	25.65				
90	120	60		25.78	25.86	25.77				
90	1	0		22.85	22.87	22.94				
90	1	244		22.78	22.70	22.46				
90	243	0		24.24	24.27	24.18				
90	1	1	QPSK	25.92	26.05	26.03			28.64	0.7311
90	1	243		25.90	25.90	25.61				
90	120	60		25.82	25.88	25.78				
90	1	0		22.79	22.93	22.87				
90	1	244		22.77	22.77	22.43				
90	243	0		23.76	23.77	23.67				
90	1	1	16-QAM	24.99	24.86	25.14	28.64	0.7311		
90	1	1	64-QAM	24.03	24.18	24.08				
90	1	1	256-QAM	21.91	21.85	21.90				
Limit	Power < 2W			Result			Pass			

NR n41 Maximum Average Power [dBm] (GT - LC = 3.5 dB)										
BW [MHz]	RB Size	RB Offset	Mod	Lowest	Middle	Highest	EIRP (dBm)	EIRP(W)		
100	1	1	PI/2 BPSK	25.91	26.06	26.01	29.62	0.9162		
100	1	271		26.04	25.90	25.73				
100	135	67		25.71	25.87	25.70				
100	1	0		22.87	22.95	22.88				
100	1	272		22.92	22.70	22.60				
100	270	0		24.23	24.32	24.16				
100	1	1	QPSK	25.99	26.06	26.12			28.61	0.7261
100	1	271		26.11	25.90	25.92				
100	135	67		25.75	25.91	25.72				
100	1	0		22.87	22.88	22.98				
100	1	272		22.92	22.67	22.71				
100	270	0		23.72	23.80	23.65				
100	1	1	16-QAM	24.95	25.11	24.92	28.61	0.7261		
100	1	1	64-QAM	23.87	24.02	24.06				
100	1	1	256-QAM	21.87	21.80	22.06				
Limit	Power < 2W			Result			Pass			



NR n66 Maximum Average Power [dBm] (GT - LC = 1.9 dB)								
BW [MHz]	RB Size	RB Offset	Mod	Lowest	Middle	Highest	EIRP (dBm)	EIRP(W)
5	1	1	PI/2 BPSK	23.84	23.97	23.85	25.91	0.3899
5	1	23		23.78	23.90	23.77		
5	12	6		23.77	23.94	23.78		
5	1	0		23.25	23.49	23.31		
5	1	24		23.28	23.43	23.33		
5	25	0		23.34	23.41	23.32		
5	1	1	QPSK	23.79	24.01	23.84		
5	1	23		23.78	23.93	23.79		
5	12	6		23.81	23.93	23.84		
5	1	0		22.84	22.95	22.79		
5	1	24		22.84	22.87	22.83		
5	25	0		22.83	22.92	22.86		
5	1	1	16-QAM	22.82	22.79	22.69	24.72	0.2965
5	1	1	64-QAM	21.53	21.54	21.44		
5	1	1	256-QAM	19.37	19.34	19.21		
Limit	EIRP < 1W			Result			Pass	

NR n66 Maximum Average Power [dBm] (GT - LC = 1.9 dB)								
BW [MHz]	RB Size	RB Offset	Mod	Lowest	Middle	Highest	EIRP (dBm)	EIRP(W)
10	1	1	PI/2 BPSK	23.87	23.95	23.91	25.89	0.3882
10	1	50		23.92	23.99	23.87		
10	25	12		23.89	23.91	23.82		
10	1	0		23.44	23.44	23.35		
10	1	51		23.36	23.53	23.32		
10	50	0		23.38	23.46	23.33		
10	1	1	QPSK	23.86	23.89	23.85		
10	1	50		23.77	23.95	23.81		
10	25	12		23.88	23.91	23.81		
10	1	0		22.92	22.98	22.88		
10	1	51		22.87	23.01	22.81		
10	50	0		22.88	22.94	22.83		
10	1	1	16-QAM	22.94	22.96	22.84	24.86	0.3062
10	1	1	64-QAM	21.45	21.39	21.07		
10	1	1	256-QAM	19.45	19.48	19.44		
Limit	EIRP < 1W			Result			Pass	



NR n66 Maximum Average Power [dBm] (GT - LC = 1.9 dB)								
BW [MHz]	RB Size	RB Offset	Mod	Lowest	Middle	Highest	EIRP (dBm)	EIRP(W)
15	1	1	PI/2 BPSK	23.83	23.92	23.69	25.89	0.3882
15	1	77		23.80	23.99	23.71		
15	36	18		23.77	23.98	23.74		
15	1	0		23.35	23.37	23.24		
15	1	78		23.32	23.42	23.24		
15	75	0		23.33	23.44	23.30		
15	1	1	QPSK	23.85	23.89	23.74		
15	1	77		23.83	23.93	23.74		
15	36	18		23.84	23.96	23.77		
15	1	0		22.86	22.96	22.75		
15	1	78		22.74	22.89	22.71		
15	75	0		22.87	22.93	22.78		
15	1	1	16-QAM	22.92	23.04	22.75	24.94	0.3119
15	1	1	64-QAM	21.37	21.61	21.31		
15	1	1	256-QAM	19.44	19.43	19.27		
Limit	EIRP < 1W			Result			Pass	

NR n66 Maximum Average Power [dBm] (GT - LC = 1.9 dB)								
BW [MHz]	RB Size	RB Offset	Mod	Lowest	Middle	Highest	EIRP (dBm)	EIRP(W)
20	1	1	PI/2 BPSK	23.86	23.98	23.83	25.89	0.3882
20	1	104		23.82	23.89	23.73		
20	50	25		23.75	23.92	23.79		
20	1	0		23.33	23.46	23.39		
20	1	105		23.30	23.40	23.29		
20	100	0		23.29	23.41	23.37		
20	1	1	QPSK	23.89	23.99	23.87		
20	1	104		23.87	23.95	23.79		
20	50	25		23.78	23.97	23.83		
20	1	0		22.88	22.96	22.82		
20	1	105		22.93	22.85	22.87		
20	100	0		22.83	22.91	22.85		
20	1	1	16-QAM	22.88	22.99	22.83	24.89	0.3083
20	1	1	64-QAM	21.42	21.57	21.44		
20	1	1	256-QAM	19.39	19.53	19.42		
Limit	EIRP < 1W			Result			Pass	



NR n66 Maximum Average Power [dBm] (GT - LC = 1.9 dB)										
BW [MHz]	RB Size	RB Offset	Mod	Lowest	Middle	Highest	EIRP (dBm)	EIRP(W)		
25	1	1	PI/2 BPSK	23.76	23.88	24.00	25.93	0.3917		
25	1	131		23.88	24.00	23.81				
25	64	32		23.80	23.90	23.80				
25	1	0		23.32	23.45	23.42				
25	1	132		23.36	23.43	23.33				
25	128	0		23.34	23.41	23.35				
25	1	1	QPSK	23.78	24.02	23.99			24.9	0.3090
25	1	131		23.84	24.03	23.77				
25	64	32		23.80	23.95	23.79				
25	1	0		22.76	22.97	22.91				
25	1	132		22.78	22.85	22.84				
25	128	0		22.81	22.93	22.86				
25	1	1	16-QAM	22.76	23.00	22.96	24.9	0.3090		
25	1	1	64-QAM	21.26	21.45	21.52				
25	1	1	256-QAM	19.42	19.40	19.35				
Limit	EIRP < 1W			Result			Pass			

NR n66 Maximum Average Power [dBm] (GT - LC = 1.9 dB)										
BW [MHz]	RB Size	RB Offset	Mod	Lowest	Middle	Highest	EIRP (dBm)	EIRP(W)		
30	1	1	PI/2 BPSK	23.92	23.91	23.97	25.99	0.3972		
30	1	158		23.99	23.94	23.82				
30	80	40		23.81	23.91	23.83				
30	1	0		23.45	23.45	23.52				
30	1	159		23.46	23.36	23.33				
30	160	0		23.33	23.37	23.41				
30	1	1	QPSK	23.90	23.87	24.09			24.93	0.3112
30	1	158		23.96	23.84	23.91				
30	80	40		23.87	23.91	23.91				
30	1	0		22.93	22.87	23.12				
30	1	159		22.98	22.91	22.96				
30	160	0		22.82	22.90	22.92				
30	1	1	16-QAM	22.78	23.00	23.03	24.93	0.3112		
30	1	1	64-QAM	21.57	21.49	21.55				
30	1	1	256-QAM	19.38	19.35	19.54				
Limit	EIRP < 1W			Result			Pass			



NR n66 Maximum Average Power [dBm] (GT - LC = 1.9 dB)										
BW [MHz]	RB Size	RB Offset	Mod	Lowest	Middle	Highest	EIRP (dBm)	EIRP(W)		
35	1	1	PI/2 BPSK	23.87	23.91	23.78	25.88	0.3873		
35	1	186		23.96	23.90	23.79				
35	90	45		23.81	23.98	23.88				
35	1	0		23.37	23.42	23.34				
35	1	187		23.51	23.43	23.32				
35	180	0		23.29	23.40	23.38				
35	1	1	QPSK	23.91	23.88	23.83			24.91	0.3097
35	1	186		23.95	23.81	23.86				
35	90	45		23.80	23.95	23.82				
35	1	0		22.87	22.79	22.89				
35	1	187		22.93	22.88	22.84				
35	180	0		22.83	22.91	22.84				
35	1	1	16-QAM	22.92	22.93	23.01	24.91	0.3097		
35	1	1	64-QAM	21.41	21.34	21.49				
35	1	1	256-QAM	19.24	19.36	19.44				
Limit	EIRP < 1W			Result			Pass			

NR n66 Maximum Average Power [dBm] (GT - LC = 1.9 dB)										
BW [MHz]	RB Size	RB Offset	Mod	Lowest	Middle	Highest	EIRP (dBm)	EIRP(W)		
40	1	1	PI/2 BPSK	23.97	23.80	23.86	25.93	0.3917		
40	1	214		23.96	23.82	23.79				
40	108	54		23.83	23.89	23.77				
40	1	0		23.39	23.27	23.41				
40	1	215		23.45	23.42	23.30				
40	216	0		23.39	23.35	23.32				
40	1	1	QPSK	23.85	23.77	23.92			25.08	0.3221
40	1	214		24.03	23.79	23.77				
40	108	54		23.91	23.96	23.84				
40	1	0		22.97	22.80	22.86				
40	1	215		23.09	22.91	22.76				
40	216	0		22.81	22.92	22.87				
40	1	1	16-QAM	22.81	22.96	23.18	25.08	0.3221		
40	1	1	64-QAM	21.44	21.47	21.66				
40	1	1	256-QAM	19.35	19.42	19.52				
Limit	EIRP < 1W			Result			Pass			



NR n70 Maximum Average Power [dBm] (GT - LC = 2.7 dB)								
BW [MHz]	RB Size	RB Offset	Mod	Lowest	Middle	Highest	EIRP (dBm)	EIRP(W)
5	1	1	PI/2 BPSK	23.52	23.46	23.48	26.22	0.4188
5	1	23		23.41	23.43	23.42		
5	12	6		23.51	23.51	23.50		
5	1	0		23.03	22.94	22.99		
5	1	24		22.96	22.95	22.94		
5	25	0		22.93	22.96	22.97		
5	1	1	QPSK	23.51	23.51	23.46		
5	1	23		23.48	23.49	23.47		
5	12	6		23.47	23.46	23.41		
5	1	0		22.52	22.44	22.47		
5	1	24		22.51	22.43	22.46		
5	25	0		22.53	22.48	22.48		
5	1	1	16-QAM	22.45	22.36	22.52	25.22	0.3327
5	1	1	64-QAM	21.18	21.03	21.15		
5	1	1	256-QAM	19.00	18.89	18.92		
Limit	EIRP < 1W			Result			Pass	

NR n70 Maximum Average Power [dBm] (GT - LC = 2.7 dB)								
BW [MHz]	RB Size	RB Offset	Mod	Lowest	Middle	Highest	EIRP (dBm)	EIRP(W)
10	1	1	PI/2 BPSK	23.48	23.40	23.51	26.25	0.4217
10	1	50		23.43	23.42	23.48		
10	25	12		23.41	23.42	23.52		
10	1	0		22.98	22.91	23.04		
10	1	51		22.88	22.92	22.96		
10	50	0		22.91	22.95	22.97		
10	1	1	QPSK	23.51	23.46	23.55		
10	1	50		23.47	23.47	23.50		
10	25	12		23.43	23.44	23.50		
10	1	0		22.48	22.41	22.56		
10	1	51		22.43	22.47	22.49		
10	50	0		22.45	22.41	22.59		
10	1	1	16-QAM	22.36	22.40	22.57	25.27	0.3365
10	1	1	64-QAM	20.89	21.21	20.91		
10	1	1	256-QAM	19.06	18.99	19.06		
Limit	EIRP < 1W			Result			Pass	



NR n70 Maximum Average Power [dBm] (GT - LC = 2.7 dB)								
BW [MHz]	RB Size	RB Offset	Mod	Lowest	Middle	Highest	EIRP (dBm)	EIRP(W)
15	1	1	PI/2 BPSK	-	23.41	-	26.21	0.4178
15	1	77		-	23.35	-		
15	36	18		-	23.44	-		
15	1	0		-	22.93	-		
15	1	78		-	22.87	-		
15	75	0		-	22.98	-		
15	1	1	QPSK	-	23.42	-	26.21	0.4178
15	1	77		-	23.46	-		
15	36	18		-	23.51	-		
15	1	0		-	22.51	-		
15	1	78		-	22.44	-		
15	75	0		-	22.48	-		
15	1	1	16-QAM	-	22.59	-	25.29	0.3381
15	1	1	64-QAM	-	21.15	-		
15	1	1	256-QAM	-	19.09	-		
Limit	EIRP < 1W			Result			Pass	



NR n71 Maximum Average Power [dBm] (GT - LC = -3.2 dB)										
BW [MHz]	RB Size	RB Offset	Mod	Lowest	Middle	Highest	ERP (dBm)	ERP(W)		
5	1	1	PI/2 BPSK	24.60	24.45	24.35	19.42	0.0875		
5	1	23		24.61	24.28	24.26				
5	12	6		24.69	24.32	24.30				
5	1	0		24.11	23.85	23.76				
5	1	24		24.10	23.84	23.81				
5	25	0		24.12	23.80	23.77				
5	1	1	QPSK	24.77	24.49	24.31			19.42	0.0875
5	1	23		24.75	24.42	24.31				
5	12	6		24.67	24.37	24.31				
5	1	0		23.70	23.50	23.31				
5	1	24		23.72	23.32	23.32				
5	25	0		23.57	23.30	23.34				
5	1	1	16-QAM	23.64	23.46	23.33	18.29	0.0675		
5	1	1	64-QAM	22.46	22.17	21.71				
5	1	1	256-QAM	19.70	19.36	19.37				
Limit	ERP < 3W			Result			Pass			

NR n71 Maximum Average Power [dBm] (GT - LC = -3.2 dB)										
BW [MHz]	RB Size	RB Offset	Mod	Lowest	Middle	Highest	ERP (dBm)	ERP(W)		
10	1	1	PI/2 BPSK	24.70	24.34	24.22	19.37	0.0865		
10	1	50		24.58	24.30	24.19				
10	25	12		24.64	24.35	24.22				
10	1	0		24.10	23.94	23.81				
10	1	51		24.00	23.77	23.77				
10	50	0		24.14	23.89	23.69				
10	1	1	QPSK	24.65	24.49	24.26			19.37	0.0865
10	1	50		24.64	24.30	24.27				
10	25	12		24.72	24.35	24.24				
10	1	0		23.70	23.42	23.28				
10	1	51		23.62	23.26	23.27				
10	50	0		23.69	23.35	23.30				
10	1	1	16-QAM	23.72	23.47	23.48	18.37	0.0687		
10	1	1	64-QAM	22.03	21.92	21.97				
10	1	1	256-QAM	19.78	19.45	19.23				
Limit	ERP < 3W			Result			Pass			





NR n71 Maximum Average Power [dBm] (GT - LC = -3.2 dB)										
BW [MHz]	RB Size	RB Offset	Mod	Lowest	Middle	Highest	ERP (dBm)	ERP(W)		
15	1	1	PI/2 BPSK	24.63	24.48	24.28	19.34	0.0859		
15	1	77		24.41	24.29	24.23				
15	36	18		24.61	24.32	24.29				
15	1	0		24.16	23.96	23.84				
15	1	78		23.96	23.78	23.68				
15	75	0		24.09	23.93	23.80				
15	1	1	QPSK	24.69	24.52	24.33			18.40	0.0692
15	1	77		24.47	24.32	24.32				
15	36	18		24.61	24.39	24.28				
15	1	0		23.65	23.50	23.30				
15	1	78		23.56	23.36	23.34				
15	75	0		23.66	23.40	23.29				
15	1	1	16-QAM	23.75	23.42	23.40	18.40	0.0692		
15	1	1	64-QAM	22.19	22.14	21.76				
15	1	1	256-QAM	19.66	19.65	19.24				
Limit	ERP < 3W			Result			Pass			

NR n71 Maximum Average Power [dBm] (GT - LC = -3.2 dB)										
BW [MHz]	RB Size	RB Offset	Mod	Lowest	Middle	Highest	ERP (dBm)	ERP(W)		
20	1	1	PI/2 BPSK	24.54	24.60	24.42	19.29	0.0849		
20	1	104		24.34	24.29	24.24				
20	50	25		24.45	24.34	24.34				
20	1	0		24.05	24.13	23.98				
20	1	105		23.82	23.84	23.83				
20	100	0		23.98	23.93	23.82				
20	1	1	QPSK	24.63	24.64	24.45			18.40	0.0692
20	1	104		24.30	24.25	24.27				
20	50	25		24.51	24.38	24.32				
20	1	0		23.54	23.62	23.40				
20	1	105		23.24	23.30	23.26				
20	100	0		23.54	23.41	23.33				
20	1	1	16-QAM	23.55	23.75	23.50	18.40	0.0692		
20	1	1	64-QAM	22.17	22.19	22.07				
20	1	1	256-QAM	19.57	19.68	19.55				
Limit	ERP < 3W			Result			Pass			



Part 270 NR n77 Maximum Average Power [dBm] (GT - LC = 2.3 dB)								
BW [MHz]	RB Size	RB Offset	Mod	Lowest	Middle	Highest	EIRP (dBm)	EIRP(W)
10	1	1	PI/2 BPSK	26.25	26.33	25.83	28.66	0.7345
10	1	22		26.35	26.33	25.85		
10	12	6		26.31	26.32	25.89		
10	1	0		22.80	22.83	22.35		
10	1	23		22.88	22.83	22.39		
10	24	0		24.81	24.83	24.38		
10	1	1	QPSK	26.30	26.27	25.89		
10	1	22		26.36	26.30	25.94		
10	12	6		26.30	26.32	25.87		
10	1	0		22.80	22.81	22.40		
10	1	23		22.87	22.80	22.48		
10	24	0		24.33	24.32	23.89		
10	1	1	16-QAM	25.27	25.36	24.80	27.66	0.5834
10	1	1	64-QAM	23.74	23.85	23.40		
10	1	1	256-QAM	21.80	21.67	21.33		
Limit	EIRP < 1W			Result			Pass	

Part 270 NR n77 Maximum Average Power [dBm] (GT - LC = 2.3 dB)								
BW [MHz]	RB Size	RB Offset	Mod	Lowest	Middle	Highest	EIRP (dBm)	EIRP(W)
15	1	1	PI/2 BPSK	26.23	26.23	25.92	28.61	0.7261
15	1	36		26.31	26.24	25.93		
15	18	9		26.30	26.26	25.89		
15	1	0		22.79	22.75	22.43		
15	1	37		22.91	22.80	22.42		
15	36	0		24.81	24.79	24.40		
15	1	1	QPSK	26.19	26.28	25.90		
15	1	36		26.30	26.31	25.87		
15	18	9		26.26	26.26	25.88		
15	1	0		22.83	22.77	22.42		
15	1	37		22.93	22.76	22.42		
15	36	0		24.29	24.28	23.91		
15	1	1	16-QAM	25.34	25.18	24.80	27.64	0.5808
15	1	1	64-QAM	23.87	23.68	23.42		
15	1	1	256-QAM	21.74	21.69	21.41		
Limit	EIRP < 1W			Result			Pass	



Part 270 NR n77 Maximum Average Power [dBm] (GT - LC = 2.3 dB)								
BW [MHz]	RB Size	RB Offset	Mod	Lowest	Middle	Highest	EIRP (dBm)	EIRP(W)
20	1	1	PI/2 BPSK	26.25	26.25	26.01	28.64	0.7311
20	1	49		26.29	26.26	25.95		
20	25	12		26.30	26.29	25.89		
20	1	0		22.76	22.78	22.46		
20	1	50		22.83	22.85	22.43		
20	50	0		24.81	24.80	24.40		
20	1	1	QPSK	26.28	26.25	25.98		
20	1	49		26.34	26.27	25.91		
20	25	12		26.29	26.27	25.87		
20	1	0		22.76	22.85	22.53		
20	1	50		22.83	22.88	22.48		
20	50	0		24.32	24.28	23.91		
20	1	1	16-QAM	25.32	25.31	24.99	27.62	0.5781
20	1	1	64-QAM	23.81	23.71	23.28		
20	1	1	256-QAM	21.72	21.67	21.49		
Limit	EIRP < 1W			Result			Pass	

Part 270 NR n77 Maximum Average Power [dBm] (GT - LC = 2.3 dB)								
BW [MHz]	RB Size	RB Offset	Mod	Lowest	Middle	Highest	EIRP (dBm)	EIRP(W)
25	1	1	PI/2 BPSK	26.24	26.26	25.94	28.63	0.7295
25	1	63		26.23	26.25	25.91		
25	32	16		26.33	26.28	25.87		
25	1	0		22.81	22.78	22.45		
25	1	64		22.81	22.84	22.41		
25	64	0		24.83	24.78	24.37		
25	1	1	QPSK	26.26	26.30	25.87		
25	1	63		26.29	26.31	25.86		
25	32	16		26.33	26.28	25.86		
25	1	0		22.76	22.86	22.40		
25	1	64		22.82	22.91	22.37		
25	64	0		24.34	24.28	23.88		
25	1	1	16-QAM	25.33	25.17	25.02	27.63	0.5794
25	1	1	64-QAM	23.63	23.61	23.44		
25	1	1	256-QAM	21.80	21.79	21.54		
Limit	EIRP < 1W			Result			Pass	



Part 270 NR n77 Maximum Average Power [dBm] (GT - LC = 2.3 dB)								
BW [MHz]	RB Size	RB Offset	Mod	Lowest	Middle	Highest	EIRP (dBm)	EIRP(W)
30	1	1	PI/2 BPSK	26.16	26.46	26.24	28.81	0.7603
30	1	76		26.28	26.47	26.04		
30	36	18		26.27	26.43	26.12		
30	1	0		22.65	22.83	22.71		
30	1	77		22.79	22.83	22.50		
30	75	0		24.79	24.77	24.61		
30	1	1	QPSK	26.15	26.51	26.20		
30	1	76		26.32	26.50	25.97		
30	36	18		26.26	26.47	26.13		
30	1	0		22.67	23.01	22.74		
30	1	77		22.80	23.02	22.53		
30	75	0		24.26	24.47	24.11		
30	1	1	16-QAM	25.33	25.48	25.43	27.78	0.5998
30	1	1	64-QAM	23.73	24.05	23.80		
30	1	1	256-QAM	21.73	21.92	21.82		
Limit	EIRP < 1W			Result			Pass	

Part 270 NR n77 Maximum Average Power [dBm] (GT - LC = 2.3 dB)								
BW [MHz]	RB Size	RB Offset	Mod	Lowest	Middle	Highest	EIRP (dBm)	EIRP(W)
40	1	1	PI/2 BPSK	26.36	26.59	26.11	28.89	0.7745
40	1	104		26.44	26.57	26.03		
40	50	25		26.51	26.47	26.12		
40	1	0		22.96	23.06	22.60		
40	1	105		23.02	22.97	22.53		
40	100	0		25.01	24.97	24.59		
40	1	1	QPSK	26.46	26.53	26.04		
40	1	104		26.54	26.51	25.96		
40	50	25		26.52	26.45	26.06		
40	1	0		22.96	23.07	22.61		
40	1	105		23.02	23.04	22.51		
40	100	0		24.49	24.47	24.11		
40	1	1	16-QAM	25.39	25.59	25.03	27.89	0.6152
40	1	1	64-QAM	24.01	23.91	23.67		
40	1	1	256-QAM	21.76	21.85	21.55		
Limit	EIRP < 1W			Result			Pass	



Part 270 NR n77 Maximum Average Power [dBm] (GT - LC = 2.3 dB)										
BW [MHz]	RB Size	RB Offset	Mod	Lowest	Middle	Highest	EIRP (dBm)	EIRP(W)		
50	1	1	PI/2 BPSK	26.23	26.56	26.19	28.86	0.7691		
50	1	131		26.50	26.49	25.99				
50	64	32		26.39	26.50	26.19				
50	1	0		22.80	23.05	22.69				
50	1	132		23.10	22.99	22.45				
50	128	0		24.90	24.98	24.66				
50	1	1	QPSK	26.28	26.54	26.21			28.86	0.7691
50	1	131		26.53	26.49	26.01				
50	64	32		26.39	26.46	26.18				
50	1	0		22.80	23.08	22.67				
50	1	132		23.10	23.07	22.48				
50	128	0		24.41	24.49	24.17				
50	1	1	16-QAM	25.30	25.55	25.10	27.85	0.6095		
50	1	1	64-QAM	23.89	24.09	23.61				
50	1	1	256-QAM	21.85	22.04	21.55				
Limit	EIRP < 1W			Result			Pass			

Part 270 NR n77 Maximum Average Power [dBm] (GT - LC = 2.3 dB)										
BW [MHz]	RB Size	RB Offset	Mod	Lowest	Middle	Highest	EIRP (dBm)	EIRP(W)		
60	1	1	PI/2 BPSK	26.42	26.52	26.16	28.87	0.7709		
60	1	160		26.52	26.48	26.05				
60	81	40		26.40	26.50	26.17				
60	1	0		22.97	23.01	22.73				
60	1	161		23.04	22.96	22.62				
60	162	0		24.92	25.02	24.69				
60	1	1	QPSK	26.48	26.55	26.20			28.87	0.7709
60	1	160		26.57	26.47	26.10				
60	81	40		26.40	26.48	26.13				
60	1	0		23.01	23.03	22.73				
60	1	161		23.11	22.97	22.57				
60	162	0		24.43	24.52	24.19				
60	1	1	16-QAM	25.28	25.59	25.16	27.89	0.6152		
60	1	1	64-QAM	23.95	24.09	23.76				
60	1	1	256-QAM	21.89	21.94	21.51				
Limit	EIRP < 1W			Result			Pass			



Part 270 NR n77 Maximum Average Power [dBm] (GT - LC = 2.3 dB)										
BW [MHz]	RB Size	RB Offset	Mod	Lowest	Middle	Highest	EIRP (dBm)	EIRP(W)		
70	1	1	PI/2 BPSK	26.31	26.53	26.14	28.93	0.7816		
70	1	187		26.62	26.44	26.20				
70	90	45		26.34	26.44	26.10				
70	1	0		22.81	22.99	22.75				
70	1	188		23.16	22.93	22.75				
70	180	0		24.86	24.97	24.65				
70	1	1	QPSK	26.33	26.48	26.18			27.73	0.5929
70	1	187		26.63	26.40	26.22				
70	90	45		26.32	26.44	26.09				
70	1	0		22.86	23.04	22.77				
70	1	188		23.14	22.96	22.76				
70	180	0		24.37	24.46	24.19				
70	1	1	16-QAM	25.18	25.43	25.29	27.73	0.5929		
70	1	1	64-QAM	23.99	23.98	23.75				
70	1	1	256-QAM	21.92	22.12	21.81				
Limit	EIRP < 1W			Result			Pass			

Part 270 NR n77 Maximum Average Power [dBm] (GT - LC = 2.3 dB)										
BW [MHz]	RB Size	RB Offset	Mod	Lowest	Middle	Highest	EIRP (dBm)	EIRP(W)		
80	1	1	PI/2 BPSK	26.43	26.54	26.30	28.9	0.7762		
80	1	215		26.54	26.44	26.14				
80	108	54		26.42	26.50	26.15				
80	1	0		23.03	23.07	22.92				
80	1	216		23.15	22.99	22.72				
80	216	0		24.94	25.04	24.71				
80	1	1	QPSK	26.51	26.60	26.29			27.86	0.6109
80	1	215		26.60	26.54	26.15				
80	108	54		26.40	26.52	26.18				
80	1	0		23.04	23.12	22.90				
80	1	216		23.15	23.02	22.75				
80	216	0		24.49	24.54	24.23				
80	1	1	16-QAM	25.42	25.56	25.35	27.86	0.6109		
80	1	1	64-QAM	23.99	24.07	23.90				
80	1	1	256-QAM	21.90	22.12	21.90				
Limit	EIRP < 1W			Result			Pass			



Part 270 NR n77 Maximum Average Power [dBm] (GT - LC = 2.3 dB)								
BW [MHz]	RB Size	RB Offset	Mod	Lowest	Middle	Highest	EIRP (dBm)	EIRP(W)
90	1	1	PI/2 BPSK	26.44	26.59	26.34	29.02	0.7980
90	1	243		26.71	26.48	26.00		
90	120	60		26.40	26.44	26.11		
90	1	0		22.98	23.10	22.92		
90	1	244		23.27	22.99	22.49		
90	243	0		25.02	25.01	24.64		
90	1	1	QPSK	26.40	26.59	26.42		
90	1	243		26.72	26.48	26.03		
90	120	60		26.40	26.45	26.09		
90	1	0		22.97	23.14	22.87		
90	1	244		23.27	23.03	22.48		
90	243	0		24.52	24.50	24.12		
90	1	1	16-QAM	25.51	25.28	25.38	27.81	0.6039
90	1	1	64-QAM	23.94	23.94	23.80		
90	1	1	256-QAM	21.81	22.04	21.90		
Limit	EIRP < 1W			Result			Pass	

Part 270 NR n77 Maximum Average Power [dBm] (GT - LC = 2.3 dB)								
BW [MHz]	RB Size	RB Offset	Mod	Lowest	Middle	Highest	EIRP (dBm)	EIRP(W)
100	1	1	PI/2 BPSK	26.55	26.67	26.40	28.97	0.7889
100	1	271		26.57	26.47	26.25		
100	135	67		26.43	26.46	26.14		
100	1	0		23.04	23.13	23.06		
100	1	272		23.10	23.00	22.85		
100	270	0		24.97	25.00	24.68		
100	1	1	QPSK	26.50	26.59	26.46		
100	1	271		26.58	26.47	26.27		
100	135	67		26.42	26.49	26.13		
100	1	0		23.03	23.22	23.04		
100	1	272		23.11	23.03	22.89		
100	270	0		24.47	24.53	24.20		
100	1	1	16-QAM	25.43	25.57	25.53	27.87	0.6124
100	1	1	64-QAM	24.07	24.12	23.92		
100	1	1	256-QAM	22.10	22.11	21.99		
Limit	EIRP < 1W			Result			Pass	



Part 270 NR n78 Maximum Average Power [dBm] (GT - LC = 2.3 dB)								
BW [MHz]	RB Size	RB Offset	Mod	Lowest	Middle	Highest	EIRP (dBm)	EIRP(W)
10	1	1	PI/2 BPSK	25.98	26.13	25.99	28.43	0.6966
10	1	22		26.07	26.12	26.05		
10	12	6		26.05	26.06	26.01		
10	1	0		22.53	22.61	22.56		
10	1	23		22.60	22.63	22.64		
10	24	0		24.55	24.64	24.58		
10	1	1	QPSK	26.01	26.13	26.02		
10	1	22		26.09	26.13	26.03		
10	12	6		26.04	26.08	26.04		
10	1	0		22.50	22.59	22.58		
10	1	23		22.58	22.62	22.65		
10	24	0		24.07	24.13	24.02		
10	1	1	16-QAM	25.03	25.05	24.99	27.35	0.5433
10	1	1	64-QAM	23.57	23.71	23.59		
10	1	1	256-QAM	21.56	21.58	21.41		
Limit	EIRP < 1W			Result			Pass	

Part 270 NR n78 Maximum Average Power [dBm] (GT - LC = 2.3 dB)								
BW [MHz]	RB Size	RB Offset	Mod	Lowest	Middle	Highest	EIRP (dBm)	EIRP(W)
15	1	1	PI/2 BPSK	26.10	26.12	26.06	28.49	0.7063
15	1	36		26.19	26.15	26.04		
15	18	9		26.12	26.12	26.03		
15	1	0		22.58	22.61	22.58		
15	1	37		22.73	22.64	22.53		
15	36	0		24.63	24.62	24.53		
15	1	1	QPSK	26.05	26.13	26.04		
15	1	36		26.17	26.15	26.01		
15	18	9		26.12	26.11	26.02		
15	1	0		22.64	22.65	22.57		
15	1	37		22.73	22.68	22.54		
15	36	0		24.12	24.13	24.02		
15	1	1	16-QAM	24.98	25.11	25.11	27.41	0.5508
15	1	1	64-QAM	23.61	23.56	23.58		
15	1	1	256-QAM	21.57	21.67	21.59		
Limit	EIRP < 1W			Result			Pass	





Part 270 NR n78 Maximum Average Power [dBm] (GT - LC = 2.3 dB)										
BW [MHz]	RB Size	RB Offset	Mod	Lowest	Middle	Highest	EIRP (dBm)	EIRP(W)		
20	1	1	PI/2 BPSK	26.01	26.09	25.99	28.42	0.6950		
20	1	49		26.10	26.06	25.96				
20	25	12		26.10	26.03	26.02				
20	1	0		22.57	22.55	22.54				
20	1	50		22.65	22.54	22.51				
20	50	0		24.61	24.52	24.51				
20	1	1	QPSK	26.05	26.00	26.01			27.38	0.5470
20	1	49		26.12	26.04	26.00				
20	25	12		26.09	26.02	25.99				
20	1	0		22.54	22.62	22.48				
20	1	50		22.65	22.63	22.53				
20	50	0		24.11	24.04	24.01				
20	1	1	16-QAM	25.00	25.00	25.08	27.38	0.5470		
20	1	1	64-QAM	23.54	23.67	23.58				
20	1	1	256-QAM	21.46	21.40	21.53				
Limit	EIRP < 1W			Result			Pass			

Part 270 NR n78 Maximum Average Power [dBm] (GT - LC = 2.3 dB)										
BW [MHz]	RB Size	RB Offset	Mod	Lowest	Middle	Highest	EIRP (dBm)	EIRP(W)		
25	1	1	PI/2 BPSK	26.10	26.01	25.99	28.4	0.6918		
25	1	63		26.08	26.01	26.03				
25	32	16		26.09	26.03	25.98				
25	1	0		22.58	22.55	22.58				
25	1	64		22.56	22.59	22.58				
25	64	0		24.64	24.57	24.55				
25	1	1	QPSK	26.03	26.04	26.02			27.34	0.5420
25	1	63		26.09	26.10	25.99				
25	32	16		26.10	26.02	25.99				
25	1	0		22.63	22.61	22.58				
25	1	64		22.66	22.61	22.52				
25	64	0		24.12	24.03	24.00				
25	1	1	16-QAM	25.02	24.86	25.04	27.34	0.5420		
25	1	1	64-QAM	23.59	23.55	23.49				
25	1	1	256-QAM	21.64	21.59	21.47				
Limit	EIRP < 1W			Result			Pass			



Part 270 NR n78 Maximum Average Power [dBm] (GT - LC = 2.3 dB)										
BW [MHz]	RB Size	RB Offset	Mod	Lowest	Middle	Highest	EIRP (dBm)	EIRP(W)		
30	1	1	PI/2 BPSK	25.88	26.03	26.08	28.43	0.6966		
30	1	76		26.01	26.05	25.91				
30	36	18		26.00	26.04	26.05				
30	1	0		22.47	22.52	22.61				
30	1	77		22.55	22.56	22.48				
30	75	0		24.54	24.56	24.55				
30	1	1	QPSK	25.92	26.04	26.13			27.37	0.5458
30	1	76		26.01	26.05	25.95				
30	36	18		26.00	26.03	26.05				
30	1	0		22.43	22.56	22.67				
30	1	77		22.55	22.59	22.48				
30	75	0		24.05	24.07	24.04				
30	1	1	16-QAM	24.96	25.02	25.07	27.37	0.5458		
30	1	1	64-QAM	23.39	23.70	23.57				
30	1	1	256-QAM	21.44	21.56	21.66				
Limit	EIRP < 1W			Result			Pass			

Part 270 NR n78 Maximum Average Power [dBm] (GT - LC = 2.3 dB)										
BW [MHz]	RB Size	RB Offset	Mod	Lowest	Middle	Highest	EIRP (dBm)	EIRP(W)		
40	1	1	PI/2 BPSK	26.02	25.96	26.03	28.39	0.6902		
40	1	104		26.05	26.01	25.97				
40	50	25		26.07	26.03	26.05				
40	1	0		22.53	22.50	22.57				
40	1	105		22.58	22.54	22.53				
40	100	0		24.56	24.56	24.54				
40	1	1	QPSK	26.00	26.00	26.08			27.32	0.5395
40	1	104		26.03	26.06	26.01				
40	50	25		26.09	26.01	26.03				
40	1	0		22.58	22.47	22.55				
40	1	105		22.60	22.55	22.48				
40	100	0		24.08	24.05	24.02				
40	1	1	16-QAM	24.94	24.97	25.02	27.32	0.5395		
40	1	1	64-QAM	23.49	23.51	23.58				
40	1	1	256-QAM	21.60	21.55	21.51				
Limit	EIRP < 1W			Result			Pass			



Part 270 NR n78 Maximum Average Power [dBm] (GT - LC = 2.3 dB)								
BW [MHz]	RB Size	RB Offset	Mod	Lowest	Middle	Highest	EIRP (dBm)	EIRP(W)
50	1	1	PI/2 BPSK	25.86	26.02	26.17	28.47	0.7031
50	1	131		26.08	26.01	25.90		
50	64	32		26.00	25.97	26.11		
50	1	0		22.38	22.57	22.68		
50	1	132		22.63	22.56	22.44		
50	128	0		24.52	24.52	24.59		
50	1	1	QPSK	25.89	26.08	26.15		
50	1	131		26.13	26.11	25.93		
50	64	32		25.98	26.07	26.07		
50	1	0		22.37	22.54	22.71		
50	1	132		22.62	22.56	22.45		
50	128	0		23.99	24.01	24.08		
50	1	1	16-QAM	24.94	25.19	25.18	27.49	0.5610
50	1	1	64-QAM	23.53	23.52	23.75		
50	1	1	256-QAM	21.36	21.44	21.59		
Limit	EIRP < 1W			Result			Pass	

Part 270 NR n78 Maximum Average Power [dBm] (GT - LC = 2.3 dB)								
BW [MHz]	RB Size	RB Offset	Mod	Lowest	Middle	Highest	EIRP (dBm)	EIRP(W)
60	1	1	PI/2 BPSK	26.04	26.06	26.06	28.45	0.6998
60	1	160		26.15	26.10	26.08		
60	81	40		26.03	26.05	26.06		
60	1	0		22.60	22.58	22.57		
60	1	161		22.66	22.60	22.58		
60	162	0		24.56	24.59	24.55		
60	1	1	QPSK	26.06	26.07	26.00		
60	1	160		26.14	26.12	26.01		
60	81	40		26.03	26.04	26.05		
60	1	0		22.55	22.61	22.61		
60	1	161		22.63	22.66	22.63		
60	162	0		24.03	24.05	24.06		
60	1	1	16-QAM	25.07	25.07	25.00	27.37	0.5458
60	1	1	64-QAM	23.51	23.70	23.76		
60	1	1	256-QAM	21.54	21.50	21.52		
Limit	EIRP < 1W			Result			Pass	



Part 270 NR n78 Maximum Average Power [dBm] (GT - LC = 2.3 dB)										
BW [MHz]	RB Size	RB Offset	Mod	Lowest	Middle	Highest	EIRP (dBm)	EIRP(W)		
70	1	1	PI/2 BPSK	25.94	26.08	25.90	28.54	0.7145		
70	1	187		26.24	26.05	26.23				
70	90	45		25.95	26.04	26.00				
70	1	0		22.48	22.58	22.46				
70	1	188		22.74	22.63	22.73				
70	180	0		24.49	24.56	24.54				
70	1	1	QPSK	25.94	26.13	25.89			27.58	0.5728
70	1	187		26.24	26.13	26.17				
70	90	45		25.97	26.04	26.00				
70	1	0		22.47	22.61	22.41				
70	1	188		22.77	22.65	22.77				
70	180	0		23.99	24.07	24.07				
70	1	1	16-QAM	25.09	25.28	24.96	27.58	0.5728		
70	1	1	64-QAM	23.38	23.60	23.52				
70	1	1	256-QAM	21.50	21.65	21.39				
Limit	EIRP < 1W			Result			Pass			

Part 270 NR n78 Maximum Average Power [dBm] (GT - LC = 2.3 dB)										
BW [MHz]	RB Size	RB Offset	Mod	Lowest	Middle	Highest	EIRP (dBm)	EIRP(W)		
80	1	1	PI/2 BPSK	26.01	26.08	26.11	28.45	0.6998		
80	1	215		26.12	26.05	26.11				
80	108	54		26.03	26.05	26.07				
80	1	0		22.63	22.63	22.65				
80	1	216		22.70	22.60	22.65				
80	216	0		24.56	24.60	24.63				
80	1	1	QPSK	26.05	26.11	26.13			27.55	0.5689
80	1	215		26.15	26.13	26.13				
80	108	54		26.04	26.07	26.07				
80	1	0		22.65	22.69	22.73				
80	1	216		22.73	22.67	22.70				
80	216	0		24.06	24.08	24.10				
80	1	1	16-QAM	25.06	25.13	25.25	27.55	0.5689		
80	1	1	64-QAM	23.47	23.71	23.67				
80	1	1	256-QAM	21.54	21.66	21.66				
Limit	EIRP < 1W			Result			Pass			



Part 270 NR n78 Maximum Average Power [dBm] (GT - LC = 2.3 dB)								
BW [MHz]	RB Size	RB Offset	Mod	Lowest	Middle	Highest	EIRP (dBm)	EIRP(W)
90	1	1	PI/2 BPSK	26.01	26.15	26.22	28.62	0.7278
90	1	243		26.32	26.16	25.97		
90	120	60		26.02	26.05	26.08		
90	1	0		22.58	22.66	22.80		
90	1	244		22.90	22.66	22.50		
90	243	0		24.58	24.60	24.61		
90	1	1	QPSK	25.97	26.17	26.29		
90	1	243		26.27	26.14	26.02		
90	120	60		26.01	26.04	26.08		
90	1	0		22.58	22.69	22.80		
90	1	244		22.87	22.70	22.52		
90	243	0		24.08	24.10	24.12		
90	1	1	16-QAM	24.98	25.13	25.17	27.47	0.5585
90	1	1	64-QAM	23.41	23.68	23.90		
90	1	1	256-QAM	21.56	21.59	21.91		
Limit	EIRP < 1W			Result			Pass	

Part 270 NR n78 Maximum Average Power [dBm] (GT - LC = 2.3 dB)								
BW [MHz]	RB Size	RB Offset	Mod	Lowest	Middle	Highest	EIRP (dBm)	EIRP(W)
100	1	1	PI/2 BPSK	-	26.21	-	28.54	0.7145
100	1	271		-	26.24	-		
100	135	67		-	26.10	-		
100	1	0		-	22.71	-		
100	1	272		-	22.74	-		
100	270	0		-	24.63	-		
100	1	1	QPSK	-	26.18	-		
100	1	271		-	26.21	-		
100	135	67		-	26.10	-		
100	1	0		-	22.68	-		
100	1	272		-	22.68	-		
100	270	0		-	24.14	-		
100	1	1	16-QAM	-	25.15	-	27.45	0.5559
100	1	1	64-QAM	-	23.81	-		
100	1	1	256-QAM	-	21.67	-		
Limit	EIRP < 1W			Result			Pass	



Part 27Q NR n77 Maximum Average Power [dBm] (GT - LC = 2.3 dB)										
BW [MHz]	RB Size	RB Offset	Mod	Lowest	Middle	Highest	EIRP (dBm)	EIRP(W)		
10	1	1	PI/2 BPSK	26.45	26.45	26.47	28.80	0.7586		
10	1	22		26.41	26.43	26.42				
10	12	6		26.47	26.50	26.41				
10	1	0		22.97	23.02	23.08				
10	1	23		22.97	23.01	22.88				
10	24	0		24.99	25.00	24.93				
10	1	1	QPSK	26.47	26.50	26.43			27.76	0.5970
10	1	22		26.44	26.46	26.41				
10	12	6		26.46	26.49	26.42				
10	1	0		22.96	22.99	22.93				
10	1	23		23.02	22.94	22.90				
10	24	0		24.51	24.53	24.42				
10	1	1	16-QAM	25.46	25.41	25.41	27.76	0.5970		
10	1	1	64-QAM	23.99	23.98	24.08				
10	1	1	256-QAM	21.96	22.01	0.55				
Limit	EIRP < 1W			Result			Pass			

Part 27Q NR n77 Maximum Average Power [dBm] (GT - LC = 2.3 dB)										
BW [MHz]	RB Size	RB Offset	Mod	Lowest	Middle	Highest	EIRP (dBm)	EIRP(W)		
15	1	1	PI/2 BPSK	26.37	26.28	26.30	28.67	0.7362		
15	1	36		26.29	26.26	26.32				
15	18	9		26.34	26.25	26.35				
15	1	0		22.90	22.83	22.86				
15	1	37		22.85	22.79	22.86				
15	36	0		24.84	24.77	24.83				
15	1	1	QPSK	26.36	26.27	26.26			27.64	0.5808
15	1	36		26.31	26.24	26.23				
15	18	9		26.33	26.26	26.34				
15	1	0		22.88	22.79	22.78				
15	1	37		22.84	22.75	22.84				
15	36	0		24.34	24.28	24.34				
15	1	1	16-QAM	25.33	25.17	25.34	27.64	0.5808		
15	1	1	64-QAM	23.80	23.76	23.93				
15	1	1	256-QAM	22.04	21.70	21.87				
Limit	EIRP < 1W			Result			Pass			



Part 27Q NR n77 Maximum Average Power [dBm] (GT - LC = 2.3 dB)										
BW [MHz]	RB Size	RB Offset	Mod	Lowest	Middle	Highest	EIRP (dBm)	EIRP(W)		
20	1	1	PI/2 BPSK	26.35	26.26	26.20	28.68	0.7379		
20	1	49		26.27	26.23	26.30				
20	25	12		26.37	26.26	26.30				
20	1	0		22.95	22.82	22.72				
20	1	50		22.87	22.77	22.80				
20	50	0		24.86	24.77	24.80				
20	1	1	QPSK	26.38	26.28	26.22			27.67	0.5848
20	1	49		26.30	26.20	26.30				
20	25	12		26.37	26.24	26.29				
20	1	0		22.89	22.81	22.77				
20	1	50		22.81	22.75	22.84				
20	50	0		24.36	24.27	24.30				
20	1	1	16-QAM	25.37	25.23	25.37	27.67	0.5848		
20	1	1	64-QAM	23.99	23.93	23.87				
20	1	1	256-QAM	21.84	21.83	21.80				
Limit	EIRP < 1W			Result			Pass			

Part 27Q NR n77 Maximum Average Power [dBm] (GT - LC = 2.3 dB)										
BW [MHz]	RB Size	RB Offset	Mod	Lowest	Middle	Highest	EIRP (dBm)	EIRP(W)		
25	1	1	PI/2 BPSK	26.45	26.32	26.20	28.75	0.7499		
25	1	63		26.38	26.26	26.32				
25	32	16		26.41	26.28	26.27				
25	1	0		22.96	22.84	22.70				
25	1	64		22.88	22.79	22.83				
25	64	0		24.93	24.78	24.80				
25	1	1	QPSK	26.42	26.29	26.21			27.86	0.6109
25	1	63		26.30	26.25	26.32				
25	32	16		26.42	26.28	26.29				
25	1	0		22.96	22.89	22.77				
25	1	64		22.88	22.82	22.89				
25	64	0		24.42	24.29	24.32				
25	1	1	16-QAM	25.56	25.40	25.19	27.86	0.6109		
25	1	1	64-QAM	23.97	23.87	23.71				
25	1	1	256-QAM	21.88	21.87	21.68				
Limit	EIRP < 1W			Result			Pass			



Part 27Q NR n77 Maximum Average Power [dBm] (GT - LC = 2.3 dB)										
BW [MHz]	RB Size	RB Offset	Mod	Lowest	Middle	Highest	EIRP (dBm)	EIRP(W)		
30	1	1	PI/2 BPSK	26.32	26.33	26.40	28.72	0.7447		
30	1	76		26.32	26.28	26.42				
30	36	18		26.26	26.31	26.39				
30	1	0		22.86	22.87	22.91				
30	1	77		22.86	22.80	22.95				
30	75	0		24.82	24.83	24.93				
30	1	1	QPSK	26.27	26.35	26.38			27.71	0.5902
30	1	76		26.28	26.27	26.39				
30	36	18		26.28	26.32	26.40				
30	1	0		22.82	22.89	22.96				
30	1	77		22.83	22.81	22.97				
30	75	0		24.32	24.32	24.40				
30	1	1	16-QAM	25.34	25.40	25.41	27.71	0.5902		
30	1	1	64-QAM	23.79	23.85	23.92				
30	1	1	256-QAM	21.92	21.87	21.91				
Limit	EIRP < 1W			Result			Pass			

Part 27Q NR n77 Maximum Average Power [dBm] (GT - LC = 2.3 dB)										
BW [MHz]	RB Size	RB Offset	Mod	Lowest	Middle	Highest	EIRP (dBm)	EIRP(W)		
40	1	1	PI/2 BPSK	26.48	26.37	26.25	28.78	0.7551		
40	1	104		26.41	26.26	26.33				
40	50	25		26.39	26.28	26.23				
40	1	0		22.99	22.86	22.83				
40	1	105		22.89	22.75	22.86				
40	100	0		24.90	24.80	24.76				
40	1	1	QPSK	26.40	26.36	26.31			27.8	0.6026
40	1	104		26.38	26.26	26.40				
40	50	25		26.35	26.27	26.23				
40	1	0		22.96	22.89	22.79				
40	1	105		22.94	22.76	22.86				
40	100	0		24.41	24.30	24.26				
40	1	1	16-QAM	25.50	25.36	25.39	27.8	0.6026		
40	1	1	64-QAM	23.94	23.80	23.84				
40	1	1	256-QAM	21.94	21.91	21.86				
Limit	EIRP < 1W			Result			Pass			





Part 27Q NR n77 Maximum Average Power [dBm] (GT - LC = 2.3 dB)										
BW [MHz]	RB Size	RB Offset	Mod	Lowest	Middle	Highest	EIRP (dBm)	EIRP(W)		
50	1	1	PI/2 BPSK	26.30	26.36	26.20	28.66	0.7345		
50	1	131		26.25	26.27	26.35				
50	64	32		26.26	26.30	26.18				
50	1	0		22.84	22.87	22.73				
50	1	132		22.83	22.78	22.88				
50	128	0		24.79	24.81	24.70				
50	1	1	QPSK	26.33	26.31	26.18			27.74	0.5943
50	1	131		26.33	26.27	26.32				
50	64	32		26.25	26.29	26.17				
50	1	0		22.81	22.89	22.68				
50	1	132		22.82	22.79	22.83				
50	128	0		24.29	24.31	24.18				
50	1	1	16-QAM	25.44	25.21	25.20	27.74	0.5943		
50	1	1	64-QAM	23.79	23.93	23.57				
50	1	1	256-QAM	21.99	21.95	21.81				
Limit	EIRP < 1W			Result			Pass			

Part 27Q NR n77 Maximum Average Power [dBm] (GT - LC = 2.3 dB)										
BW [MHz]	RB Size	RB Offset	Mod	Lowest	Middle	Highest	EIRP (dBm)	EIRP(W)		
60	1	1	PI/2 BPSK	26.47	26.33	26.34	28.78	0.7551		
60	1	160		26.35	26.29	26.40				
60	81	40		26.37	26.28	26.28				
60	1	0		23.00	22.89	22.91				
60	1	161		22.87	22.79	22.93				
60	162	0		24.88	24.82	24.83				
60	1	1	QPSK	26.48	26.30	26.42			27.74	0.5943
60	1	160		26.35	26.24	26.44				
60	81	40		26.37	26.28	26.28				
60	1	0		22.98	22.88	22.89				
60	1	161		22.86	22.78	22.91				
60	162	0		24.38	24.30	24.34				
60	1	1	16-QAM	25.43	25.28	25.44	27.74	0.5943		
60	1	1	64-QAM	24.07	23.86	23.84				
60	1	1	256-QAM	22.00	21.90	21.99				
Limit	EIRP < 1W			Result			Pass			



Part 27Q NR n77 Maximum Average Power [dBm] (GT - LC = 2.3 dB)										
BW [MHz]	RB Size	RB Offset	Mod	Lowest	Middle	Highest	EIRP (dBm)	EIRP(W)		
70	1	1	PI/2 BPSK	26.38	26.41	26.51	28.81	0.7603		
70	1	187		26.36	26.35	26.35				
70	90	45		26.24	26.27	26.38				
70	1	0		22.90	22.90	23.00				
70	1	188		22.90	22.87	22.82				
70	180	0		24.76	24.78	24.89				
70	1	1	QPSK	26.42	26.37	26.48			28.81	0.7603
70	1	187		26.38	26.32	26.35				
70	90	45		26.25	26.26	26.36				
70	1	0		22.92	22.96	23.08				
70	1	188		22.87	22.88	22.90				
70	180	0		24.27	24.27	24.38				
70	1	1	16-QAM	25.50	25.44	25.52	27.82	0.6053		
70	1	1	64-QAM	23.78	23.81	23.85				
70	1	1	256-QAM	21.90	21.91	22.00				
Limit	EIRP < 1W			Result			Pass			

Part 27Q NR n77 Maximum Average Power [dBm] (GT - LC = 2.3 dB)										
BW [MHz]	RB Size	RB Offset	Mod	Lowest	Middle	Highest	EIRP (dBm)	EIRP(W)		
80	1	1	PI/2 BPSK	26.40	26.38	26.31	28.78	0.7551		
80	1	215		26.28	26.34	26.37				
80	108	54		26.27	26.26	26.28				
80	1	0		23.03	22.94	22.91				
80	1	216		22.85	22.92	22.92				
80	216	0		24.80	24.81	24.84				
80	1	1	QPSK	26.48	26.47	26.39			28.78	0.7551
80	1	215		26.32	26.43	26.41				
80	108	54		26.28	26.26	26.25				
80	1	0		23.05	23.02	22.90				
80	1	216		22.91	22.97	22.89				
80	216	0		24.29	24.30	24.34				
80	1	1	16-QAM	25.48	25.43	25.32	27.78	0.5998		
80	1	1	64-QAM	24.05	24.03	23.88				
80	1	1	256-QAM	21.99	21.91	21.87				
Limit	EIRP < 1W			Result			Pass			



Part 27Q NR n77 Maximum Average Power [dBm] (GT - LC = 2.3 dB)								
BW [MHz]	RB Size	RB Offset	Mod	Lowest	Middle	Highest	EIRP (dBm)	EIRP(W)
90	1	1	PI/2 BPSK	26.50	26.48	26.55	28.88	0.7727
90	1	243		26.58	26.47	26.37		
90	120	60		26.18	26.26	26.35		
90	1	0		22.97	23.00	23.02		
90	1	244		23.06	22.97	22.85		
90	243	0		24.77	24.83	24.89		
90	1	1	QPSK	26.44	26.50	26.49		
90	1	243		26.51	26.47	26.32		
90	120	60		26.17	26.27	26.37		
90	1	0		23.05	22.97	23.11		
90	1	244		23.10	22.95	22.88		
90	243	0		24.26	24.31	24.38		
90	1	1	16-QAM	25.38	25.56	25.55	27.86	0.6109
90	1	1	64-QAM	24.06	23.93	23.93		
90	1	1	256-QAM	21.89	21.87	22.00		
Limit	EIRP < 1W			Result			Pass	

Part 27Q NR n77 Maximum Average Power [dBm] (GT - LC = 2.3 dB)								
BW [MHz]	RB Size	RB Offset	Mod	Lowest	Middle	Highest	EIRP (dBm)	EIRP(W)
100	1	1	PI/2 BPSK	-	26.60	-	28.90	0.7762
100	1	271		-	26.52	-		
100	135	67		-	26.26	-		
100	1	0		-	23.10	-		
100	1	272		-	23.02	-		
100	270	0		-	24.82	-		
100	1	1	QPSK	-	26.51	-		
100	1	271		-	26.46	-		
100	135	67		-	26.26	-		
100	1	0		-	23.11	-		
100	1	272		-	23.03	-		
100	270	0		-	24.35	-		
100	1	1	16-QAM	-	25.59	-	27.89	0.6152
100	1	1	64-QAM	-	24.03	-		
100	1	1	256-QAM	-	22.24	-		
Limit	EIRP < 1W			Result			Pass	



Part 27Q NR n78 Maximum Average Power [dBm] (GT - LC = 2.3 dB)										
BW [MHz]	RB Size	RB Offset	Mod	Lowest	Middle	Highest	EIRP (dBm)	EIRP(W)		
10	1	1	PI/2 BPSK	26.09	26.09	26.14	28.46	0.7015		
10	1	22		26.08	26.09	26.09				
10	12	6		26.11	26.08	26.16				
10	1	0		22.61	22.60	22.71				
10	1	23		22.61	22.58	22.64				
10	24	0		24.61	24.57	24.68				
10	1	1	QPSK	26.11	26.07	26.16			28.46	0.7015
10	1	22		26.11	26.04	26.14				
10	12	6		26.08	26.06	26.16				
10	1	0		22.64	22.65	22.77				
10	1	23		22.61	22.64	22.71				
10	24	0		24.11	24.09	24.17				
10	1	1	16-QAM	25.18	25.10	25.16	27.48	0.5598		
10	1	1	64-QAM	23.77	23.68	23.77				
10	1	1	256-QAM	21.60	21.62	21.74				
Limit	EIRP < 1W			Result			Pass			

Part 27Q NR n78 Maximum Average Power [dBm] (GT - LC = 2.3 dB)										
BW [MHz]	RB Size	RB Offset	Mod	Lowest	Middle	Highest	EIRP (dBm)	EIRP(W)		
15	1	1	PI/2 BPSK	26.14	26.13	26.09	28.45	0.6998		
15	1	36		26.10	26.06	26.08				
15	18	9		26.15	26.10	26.11				
15	1	0		22.67	22.66	22.66				
15	1	37		22.68	22.61	22.67				
15	36	0		24.65	24.61	24.62				
15	1	1	QPSK	26.10	26.07	26.07			28.45	0.6998
15	1	36		26.07	26.01	26.05				
15	18	9		26.11	26.12	26.12				
15	1	0		22.64	22.60	22.58				
15	1	37		22.59	22.59	22.59				
15	36	0		24.14	24.12	24.15				
15	1	1	16-QAM	25.20	25.15	24.94	27.5	0.5623		
15	1	1	64-QAM	23.78	23.70	23.66				
15	1	1	256-QAM	21.69	21.62	21.62				
Limit	EIRP < 1W			Result			Pass			



Part 27Q NR n78 Maximum Average Power [dBm] (GT - LC = 2.3 dB)										
BW [MHz]	RB Size	RB Offset	Mod	Lowest	Middle	Highest	EIRP (dBm)	EIRP(W)		
20	1	1	PI/2 BPSK	26.16	26.09	26.02	28.49	0.7063		
20	1	49		26.11	26.06	26.09				
20	25	12		26.16	26.06	26.08				
20	1	0		22.73	22.62	22.51				
20	1	50		22.66	22.54	22.58				
20	50	0		24.71	24.58	24.58				
20	1	1	QPSK	26.19	26.08	25.98			27.53	0.5662
20	1	49		26.13	26.00	26.08				
20	25	12		26.18	26.06	26.08				
20	1	0		22.73	22.65	22.58				
20	1	50		22.63	22.57	22.67				
20	50	0		24.20	24.09	24.11				
20	1	1	16-QAM	25.23	25.16	25.03	27.53	0.5662		
20	1	1	64-QAM	23.77	23.49	23.57				
20	1	1	256-QAM	21.76	21.60	21.55				
Limit	EIRP < 1W			Result			Pass			

Part 27Q NR n78 Maximum Average Power [dBm] (GT - LC = 2.3 dB)										
BW [MHz]	RB Size	RB Offset	Mod	Lowest	Middle	Highest	EIRP (dBm)	EIRP(W)		
25	1	1	PI/2 BPSK	26.29	26.14	25.95	28.59	0.7228		
25	1	63		26.21	26.08	26.09				
25	32	16		26.22	26.09	26.06				
25	1	0		22.84	22.64	22.51				
25	1	64		22.75	22.57	22.60				
25	64	0		24.76	24.60	24.57				
25	1	1	QPSK	26.28	26.08	25.92			27.63	0.5794
25	1	63		26.23	26.06	26.04				
25	32	16		26.23	26.07	26.06				
25	1	0		22.84	22.68	22.48				
25	1	64		22.77	22.64	22.59				
25	64	0		24.25	24.10	24.08				
25	1	1	16-QAM	25.33	25.19	24.99	27.63	0.5794		
25	1	1	64-QAM	23.84	23.59	23.62				
25	1	1	256-QAM	21.83	21.70	21.64				
Limit	EIRP < 1W			Result			Pass			



Part 27Q NR n78 Maximum Average Power [dBm] (GT - LC = 2.3 dB)										
BW [MHz]	RB Size	RB Offset	Mod	Lowest	Middle	Highest	EIRP (dBm)	EIRP(W)		
30	1	1	PI/2 BPSK	26.09	26.12	26.09	28.48	0.7047		
30	1	76		26.12	26.04	26.13				
30	36	18		26.06	26.10	26.14				
30	1	0		22.66	22.72	22.62				
30	1	77		22.69	22.63	22.68				
30	75	0		24.65	24.60	24.64				
30	1	1	QPSK	26.07	26.18	26.12			27.54	0.5675
30	1	76		26.08	26.12	26.14				
30	36	18		26.08	26.10	26.15				
30	1	0		22.59	22.68	22.60				
30	1	77		22.61	22.58	22.64				
30	75	0		24.11	24.11	24.14				
30	1	1	16-QAM	25.06	25.24	25.15	27.54	0.5675		
30	1	1	64-QAM	23.69	23.58	23.60				
30	1	1	256-QAM	21.58	21.59	21.72				
Limit	EIRP < 1W			Result			Pass			

Part 27Q NR n78 Maximum Average Power [dBm] (GT - LC = 2.3 dB)										
BW [MHz]	RB Size	RB Offset	Mod	Lowest	Middle	Highest	EIRP (dBm)	EIRP(W)		
40	1	1	PI/2 BPSK	26.28	26.14	25.98	28.58	0.7211		
40	1	104		26.20	26.03	26.09				
40	50	25		26.19	26.12	26.01				
40	1	0		22.80	22.68	22.62				
40	1	105		22.75	22.58	22.69				
40	100	0		24.71	24.62	24.56				
40	1	1	QPSK	26.26	26.17	26.04			27.68	0.5861
40	1	104		26.21	26.06	26.13				
40	50	25		26.19	26.10	25.99				
40	1	0		22.77	22.75	22.56				
40	1	105		22.72	22.64	22.64				
40	100	0		24.20	24.12	24.01				
40	1	1	16-QAM	25.38	25.20	25.09	27.68	0.5861		
40	1	1	64-QAM	23.68	23.67	23.75				
40	1	1	256-QAM	21.73	21.62	21.50				
Limit	EIRP < 1W			Result			Pass			



Part 27Q NR n78 Maximum Average Power [dBm] (GT - LC = 2.3 dB)										
BW [MHz]	RB Size	RB Offset	Mod	Lowest	Middle	Highest	EIRP (dBm)	EIRP(W)		
50	1	1	PI/2 BPSK	26.15	26.12	25.95	28.46	0.7015		
50	1	131		26.08	26.05	26.08				
50	64	32		26.10	26.10	25.90				
50	1	0		22.67	22.72	22.49				
50	1	132		22.66	22.61	22.61				
50	128	0		24.63	24.63	24.42				
50	1	1	QPSK	26.16	26.13	25.99			27.4	0.5495
50	1	131		26.15	26.00	26.08				
50	64	32		26.10	26.06	25.90				
50	1	0		22.73	22.74	22.51				
50	1	132		22.69	22.65	22.61				
50	128	0		24.11	24.13	23.94				
50	1	1	16-QAM	25.01	25.10	24.97	27.4	0.5495		
50	1	1	64-QAM	23.78	23.54	23.41				
50	1	1	256-QAM	21.70	21.72	21.40				
Limit	EIRP < 1W			Result			Pass			

Part 27Q NR n78 Maximum Average Power [dBm] (GT - LC = 2.3 dB)										
BW [MHz]	RB Size	RB Offset	Mod	Lowest	Middle	Highest	EIRP (dBm)	EIRP(W)		
60	1	1	PI/2 BPSK	26.26	26.18	26.10	28.65	0.7328		
60	1	160		26.19	26.13	26.13				
60	81	40		26.21	26.11	26.02				
60	1	0		22.79	22.71	22.70				
60	1	161		22.68	22.62	22.67				
60	162	0		24.69	24.63	24.58				
60	1	1	QPSK	26.35	26.15	26.14			27.63	0.5794
60	1	160		26.21	26.06	26.20				
60	81	40		26.18	26.10	26.03				
60	1	0		22.86	22.70	22.62				
60	1	161		22.74	22.61	22.63				
60	162	0		24.23	24.11	24.09				
60	1	1	16-QAM	25.33	25.17	25.13	27.63	0.5794		
60	1	1	64-QAM	23.74	23.64	23.78				
60	1	1	256-QAM	21.74	21.74	21.67				
Limit	EIRP < 1W			Result			Pass			



Part 27Q NR n78 Maximum Average Power [dBm] (GT - LC = 2.3 dB)										
BW [MHz]	RB Size	RB Offset	Mod	Lowest	Middle	Highest	EIRP (dBm)	EIRP(W)		
70	1	1	PI/2 BPSK	26.14	26.16	26.25	28.56	0.7178		
70	1	187		26.16	26.13	26.08				
70	90	45		26.03	26.07	26.13				
70	1	0		22.72	22.67	22.78				
70	1	188		22.69	22.63	22.61				
70	180	0		24.55	24.58	24.67				
70	1	1	QPSK	26.15	26.14	26.26			27.6	0.5754
70	1	187		26.12	26.08	26.12				
70	90	45		26.02	26.06	26.13				
70	1	0		22.74	22.68	22.82				
70	1	188		22.69	22.64	22.64				
70	180	0		24.05	24.08	24.16				
70	1	1	16-QAM	25.18	25.07	25.30	27.6	0.5754		
70	1	1	64-QAM	23.66	23.71	23.85				
70	1	1	256-QAM	21.63	21.72	21.81				
Limit	EIRP < 1W			Result			Pass			

Part 27Q NR n78 Maximum Average Power [dBm] (GT - LC = 2.3 dB)										
BW [MHz]	RB Size	RB Offset	Mod	Lowest	Middle	Highest	EIRP (dBm)	EIRP(W)		
80	1	1	PI/2 BPSK	26.29	26.22	26.12	28.59	0.7228		
80	1	215		26.15	26.24	26.15				
80	108	54		26.11	26.07	26.05				
80	1	0		22.80	22.79	22.70				
80	1	216		22.64	22.78	22.71				
80	216	0		24.60	24.62	24.62				
80	1	1	QPSK	26.29	26.26	26.10			27.53	0.5662
80	1	215		26.13	26.24	26.14				
80	108	54		26.10	26.06	26.03				
80	1	0		22.82	22.77	22.66				
80	1	216		22.68	22.74	22.67				
80	216	0		24.10	24.11	24.12				
80	1	1	16-QAM	25.23	25.23	25.19	27.53	0.5662		
80	1	1	64-QAM	23.85	23.61	23.71				
80	1	1	256-QAM	21.87	21.67	21.72				
Limit	EIRP < 1W			Result			Pass			





Part 27Q NR n78 Maximum Average Power [dBm] (GT - LC = 2.3 dB)										
BW [MHz]	RB Size	RB Offset	Mod	Lowest	Middle	Highest	EIRP (dBm)	EIRP(W)		
90	1	1	PI/2 BPSK	26.20	26.24	26.35	28.65	0.7328		
90	1	243		26.30	26.20	26.17				
90	120	60		25.97	26.07	26.16				
90	1	0		22.82	22.84	22.82				
90	1	244		22.87	22.81	22.63				
90	243	0		24.54	24.63	24.66				
90	1	1	QPSK	26.29	26.32	26.34			27.71	0.5902
90	1	243		26.34	26.28	26.20				
90	120	60		25.97	26.05	26.15				
90	1	0		22.83	22.81	22.91				
90	1	244		22.91	22.78	22.71				
90	243	0		24.05	24.13	24.18				
90	1	1	16-QAM	25.25	25.41	25.36	27.71	0.5902		
90	1	1	64-QAM	23.74	23.80	23.80				
90	1	1	256-QAM	21.77	21.84	21.96				
Limit	EIRP < 1W			Result			Pass			

Part 27Q NR n78 Maximum Average Power [dBm] (GT - LC = 2.3 dB)										
BW [MHz]	RB Size	RB Offset	Mod	Lowest	Middle	Highest	EIRP (dBm)	EIRP(W)		
100	1	1	PI/2 BPSK	-	26.37	-	28.67	0.7362		
100	1	271		-	26.35	-				
100	135	67		-	26.08	-				
100	1	0		-	22.96	-				
100	1	272		-	22.88	-				
100	270	0		-	24.62	-				
100	1	1	QPSK	-	26.36	-			27.64	0.5808
100	1	271		-	26.30	-				
100	135	67		-	26.07	-				
100	1	0		-	22.94	-				
100	1	272		-	22.91	-				
100	270	0		-	24.15	-				
100	1	1	16-QAM	-	25.34	-	27.64	0.5808		
100	1	1	64-QAM	-	24.04	-				
100	1	1	256-QAM	-	21.98	-				
Limit	EIRP < 1W			Result			Pass			



Part90s NR n26 Maximum Average Power [dBm] (GT - LC = -2.2 dB)										
BW [MHz]	RB Size	RB Offset	Mod	Lowest	Middle	Highest	ERP (dBm)	ERP		
5	1	1	PI/2 BPSK	24.06	23.98	23.94	19.75	0.0944		
5	1	23		23.95	23.97	23.94				
5	12	6		24.03	24.01	23.93				
5	1	0		23.63	23.55	23.43				
5	1	24		23.48	23.49	23.45				
5	25	0		23.55	23.49	23.45				
5	1	1	QPSK	24.04	24.05	24.00			18.83	0.0764
5	1	23		23.96	24.01	24.08				
5	12	6		24.10	23.95	24.01				
5	1	0		23.00	22.95	22.99				
5	1	24		23.01	22.92	22.87				
5	25	0		23.05	22.99	23.05				
5	1	1	16-QAM	23.10	22.93	23.18	18.83	0.0764		
5	1	1	64-QAM	21.55	21.68	21.54				
5	1	1	256-QAM	18.07	18.02	17.86				
Limit	Power < 100W			Result			Pass			

Part90s NR n26 Maximum Average Power [dBm] (GT - LC = -2.2 dB)										
BW [MHz]	RB Size	RB Offset	Mod	Lowest	Middle	Highest	ERP (dBm)	ERP		
10	1	1	PI/2 BPSK	-	24.03	-	19.75	0.0944		
10	1	50		-	23.98	-				
10	25	12		-	23.98	-				
10	1	0		-	23.61	-				
10	1	51		-	23.42	-				
10	50	0		-	23.52	-				
10	1	1	QPSK	-	24.10	-			18.78	0.0755
10	1	50		-	24.05	-				
10	25	12		-	23.98	-				
10	1	0		-	23.11	-				
10	1	51		-	22.98	-				
10	50	0		-	23.03	-				
10	1	1	16-QAM	-	23.13	-	18.78	0.0755		
10	1	1	64-QAM	-	21.52	-				
10	1	1	256-QAM	-	18.09	-				
Limit	Power < 100W			Result			Pass			



NR n26 Straddle Channel Maximum Average Power [dBm] (GT - LC = -2.2 dB)										
BW [MHz]	RB Size	RB Offset	Mod	Lowest	Middle	Highest	ERP (dBm)	ERP		
5	1	1	PI/2 BPSK	-	23.97	-	19.62	0.0916		
5	1	23		-	23.89	-				
5	12	6		-	23.93	-				
5	1	0		-	23.49	-				
5	1	24		-	23.36	-				
5	25	0		-	23.37	-				
5	1	1	QPSK	-	23.97	-			19.62	0.0916
5	1	23		-	23.84	-				
5	12	6		-	23.87	-				
5	1	0		-	22.83	-				
5	1	24		-	22.84	-				
5	25	0		-	22.89	-				
5	1	1	16-QAM	-	23.09	-	18.74	0.0748		
5	1	1	64-QAM	-	21.65	-				
5	1	1	256-QAM	-	18.01	-				
Limit	EIRP < 7W			Result			Pass			

NR n26 Straddle Channel Maximum Average Power [dBm] (GT - LC = -2.2 dB)										
BW [MHz]	RB Size	RB Offset	Mod	Lowest	Middle	Highest	ERP (dBm)	ERP		
10	1	1	PI/2 BPSK	-	23.99	-	19.65	0.0923		
10	1	50		-	23.84	-				
10	25	12		-	23.89	-				
10	1	0		-	23.41	-				
10	1	51		-	23.37	-				
10	50	0		-	23.40	-				
10	1	1	QPSK	-	24.00	-			19.65	0.0923
10	1	50		-	23.94	-				
10	25	12		-	23.94	-				
10	1	0		-	22.89	-				
10	1	51		-	22.87	-				
10	50	0		-	22.93	-				
10	1	1	16-QAM	-	23.25	-	18.90	0.0776		
10	1	1	64-QAM	-	21.55	-				
10	1	1	256-QAM	-	17.95	-				
Limit	EIRP < 7W			Result			Pass			



NR n26 Straddle Channel Maximum Average Power [dBm] (GT - LC = -2.2 dB)										
BW [MHz]	RB Size	RB Offset	Mod	Lowest	Middle	Highest	ERP (dBm)	ERP		
15	1	1	PI/2 BPSK	-	24.03	-	19.68	0.0929		
15	1	77		-	23.93	-				
15	36	18		-	23.94	-				
15	1	0		-	23.47	-				
15	1	78		-	23.36	-				
15	75	0		-	23.43	-				
15	1	1	QPSK	-	24.01	-			18.65	0.0733
15	1	77		-	23.88	-				
15	36	18		-	23.92	-				
15	1	0		-	22.95	-				
15	1	78		-	22.94	-				
15	75	0		-	22.96	-				
15	1	1	16-QAM	-	23.00	-	18.65	0.0733		
15	1	1	64-QAM	-	21.54	-				
15	1	1	256-QAM	-	17.96	-				
Limit	EIRP < 7W			Result			Pass			

NR n26 Straddle Channel Maximum Average Power [dBm] (GT - LC = -2.2 dB)										
BW [MHz]	RB Size	RB Offset	Mod	Lowest	Middle	Highest	ERP (dBm)	ERP		
20	1	1	PI/2 BPSK	-	24.01	-	19.66	0.0925		
20	1	104		-	23.92	-				
20	50	25		-	23.90	-				
20	1	0		-	23.54	-				
20	1	105		-	23.48	-				
20	100	0		-	23.40	-				
20	1	1	QPSK	-	24.01	-			18.61	0.0726
20	1	104		-	23.85	-				
20	50	25		-	23.94	-				
20	1	0		-	22.94	-				
20	1	105		-	22.85	-				
20	100	0		-	22.92	-				
20	1	1	16-QAM	-	22.96	-	18.61	0.0726		
20	1	1	64-QAM	-	21.58	-				
20	1	1	256-QAM	-	17.98	-				
Limit	EIRP < 7W			Result			Pass			



NR n30 Maximum Average Power [dBm] (GT - LC = 2.5 dB)								
BW [MHz]	RB Size	RB Offset	Mod	Lowest	Middle	Highest	EIRP (dBm)	EIRP(W)
5	1	1	PI/2 BPSK	20.37	20.46	20.48	23.08	0.2032
5	1	23		20.39	20.50	20.52		
5	12	6		20.33	20.43	20.50		
5	1	0		20.34	20.45	20.52		
5	1	24		20.36	20.47	20.50		
5	25	0		20.37	20.46	20.51		
5	1	1	QPSK	20.39	20.51	20.47		
5	1	23		20.43	20.48	20.52		
5	12	6		20.41	20.41	20.46		
5	1	0		20.33	20.58	20.51		
5	1	24		20.39	20.54	20.52		
5	25	0		20.42	20.42	20.48		
5	1	1	16-QAM	20.36	20.49	20.54	23.16	0.2070
5	1	1	64-QAM	20.34	20.66	20.39		
5	1	1	256-QAM	19.24	19.15	19.09		
Limit	EIRP < 250 W/5MHz			Result			Pass	

NR n30 Maximum Average Power [dBm] (GT - LC = 2.5 dB)								
BW [MHz]	RB Size	RB Offset	Mod	Lowest	Middle	Highest	EIRP (dBm)	EIRP(W)
10	1	1	PI/2 BPSK	-	20.47	-	23.02	0.2004
10	1	50		-	20.47	-		
10	25	12		-	20.45	-		
10	1	0		-	20.43	-		
10	1	51		-	20.52	-		
10	50	0		-	20.42	-		
10	1	1	QPSK	-	20.42	-		
10	1	50		-	20.46	-		
10	25	12		-	20.44	-		
10	1	0		-	20.41	-		
10	1	51		-	20.45	-		
10	50	0		-	20.42	-		
10	1	1	16-QAM	-	20.42	-	23.22	0.2099
10	1	1	64-QAM	-	20.72	-		
10	1	1	256-QAM	-	19.17	-		
Limit	EIRP < 250 W/5MHz			Result			Pass	

Total EIRP power is less than partial EIRP limit 250 mW/5MHz.



<TxD Mode>

NR n41 Maximum Average Power [dBm], DG = -1 dBi														
BW (MHz)	RB Size	RB Offset	Mod	Antenna 2			Antenna 1			Combine			EIRP (dBm)	EIRP (W)
				Lowest	Middle	Highest	Lowest	Middle	Highest	Lowest	Middle	Highest		
10	1	1	BPSK	25.78	25.84	25.42	25.64	25.64	25.31	28.72	28.75	28.38	27.81	0.6039
10	1	22		25.76	25.81	25.35	25.60	25.49	25.39	28.69	28.66	28.38		
10	12	6		25.83	25.86	25.39	25.68	25.65	25.41	28.77	28.77	28.41		
10	1	1	QPSK	25.89	25.88	25.47	25.66	25.61	25.42	28.79	28.76	28.46		
10	1	22		25.88	25.89	25.44	25.69	25.50	25.45	28.80	28.71	28.46		
10	12	6		25.85	25.85	25.44	25.74	25.58	25.41	28.81	28.73	28.44		
10	1	1	16-QAM	24.79	24.71	24.38	24.62	24.50	24.50	27.72	27.62	27.45	26.77	0.4753
10	1	22		24.77	24.92	24.39	24.74	24.31	24.67	27.77	27.64	27.54		
10	12	6		24.76	24.86	24.38	24.71	24.46	24.38	27.75	27.67	27.39		
Limit	Power < 2W			Result									Pass	

NR n41 Maximum Average Power [dBm], DG = -1 dBi														
BW (MHz)	RB Size	RB Offset	Mod	Antenna 2			Antenna 1			Combine			EIRP (dBm)	EIRP (W)
				Lowest	Middle	Highest	Lowest	Middle	Highest	Lowest	Middle	Highest		
15	1	1	BPSK	25.87	25.83	25.51	25.74	25.57	25.41	28.82	28.71	28.47	27.89	0.6152
15	1	36		25.83	25.79	25.50	25.66	25.35	25.67	28.76	28.59	28.60		
15	18	9		25.87	25.85	25.60	25.76	25.55	25.58	28.83	28.71	28.60		
15	1	1	QPSK	25.99	25.87	25.51	25.76	25.65	25.44	28.89	28.77	28.49		
15	1	36		25.87	25.90	25.54	25.77	25.43	25.67	28.83	28.68	28.62		
15	18	9		25.87	25.88	25.63	25.73	25.53	25.61	28.81	28.72	28.63		
15	1	1	16-QAM	24.77	24.67	24.30	24.85	24.56	24.37	27.82	27.63	27.35	26.82	0.4808
15	1	36		24.69	24.60	24.54	24.81	24.31	24.72	27.76	27.47	27.64		
15	18	9		24.86	24.89	24.65	24.73	24.57	24.58	27.81	27.74	27.63		
Limit	Power < 2W			Result									Pass	

NR n41 Maximum Average Power [dBm], DG = -1 dBi														
BW (MHz)	RB Size	RB Offset	Mod	Antenna 2			Antenna 1			Combine			EIRP (dBm)	EIRP (W)
				Lowest	Middle	Highest	Lowest	Middle	Highest	Lowest	Middle	Highest		
20	1	1	BPSK	25.69	25.83	25.51	25.51	25.61	25.27	28.61	28.73	28.40	27.76	0.5970
20	1	49		25.66	25.80	25.48	25.49	25.42	25.57	28.59	28.62	28.54		
20	25	12		25.71	25.85	25.55	25.57	25.59	25.49	28.65	28.73	28.53		
20	1	1	QPSK	25.85	25.82	25.56	25.56	25.55	25.36	28.72	28.70	28.47		
20	1	49		25.77	25.91	25.54	25.61	25.43	25.61	28.70	28.69	28.59		
20	25	12		25.72	25.88	25.60	25.58	25.62	25.49	28.66	28.76	28.56		
20	1	1	16-QAM	24.47	24.74	24.45	24.38	24.54	24.28	27.44	27.65	27.38	26.76	0.4742
20	1	49		24.42	24.81	24.44	24.42	24.37	24.67	27.43	27.61	27.57		
20	25	12		24.69	24.91	24.58	24.54	24.59	24.50	27.63	27.76	27.55		
Limit	Power < 2W			Result									Pass	



NR n41 Maximum Average Power [dBm], DG = -1 dBi														
BW (MHz)	RB Size	RB Offset	Mod	Antenna 2			Antenna 1			Combine			EIRP (dBm)	EIRP (W)
				Lowest	Middle	Highest	Lowest	Middle	Highest	Lowest	Middle	Highest		
30	1	1	BPSK	25.84	25.87	25.66	25.68	25.72	25.45	28.77	28.81	28.57	27.85	0.6095
30	1	76		25.73	25.82	25.59	25.62	25.27	25.68	28.69	28.56	28.65		
30	36	18		25.81	25.86	25.66	25.68	25.56	25.49	28.76	28.72	28.59		
30	1	1	QPSK	25.90	25.98	25.72	25.68	25.69	25.47	28.80	28.85	28.61		
30	1	76		25.83	25.89	25.62	25.55	25.33	25.75	28.70	28.63	28.70		
30	36	18		25.82	25.87	25.65	25.69	25.55	25.51	28.77	28.72	28.59		
30	1	1	16-QAM	24.55	24.85	24.57	24.54	24.66	24.50	27.56	27.77	27.55	26.77	0.4753
30	1	76		24.50	24.55	24.45	24.53	24.12	24.75	27.53	27.35	27.61		
30	36	18		24.81	24.87	24.67	24.70	24.57	24.51	27.77	27.73	27.60		
Limit	Power < 2W			Result									Pass	

NR n41 Maximum Average Power [dBm], DG = -1 dBi														
BW (MHz)	RB Size	RB Offset	Mod	Antenna 2			Antenna 1			Combine			EIRP (dBm)	EIRP (W)
				Lowest	Middle	Highest	Lowest	Middle	Highest	Lowest	Middle	Highest		
40	1	1	BPSK	25.75	25.96	25.62	25.57	25.67	25.45	28.67	28.83	28.55	27.83	0.6067
40	1	104		25.65	25.81	25.53	25.53	25.36	25.59	28.60	28.60	28.57		
40	50	25		25.67	25.88	25.62	25.55	25.53	25.36	28.62	28.72	28.50		
40	1	1	QPSK	25.79	25.97	25.60	25.67	25.66	25.45	28.74	28.83	28.54		
40	1	104		25.69	25.82	25.50	25.59	25.36	25.67	28.65	28.61	28.60		
40	50	25		25.73	25.89	25.60	25.57	25.58	25.40	28.66	28.75	28.51		
40	1	1	16-QAM	24.84	24.87	24.87	24.45	24.62	24.81	27.66	27.76	27.85	26.91	0.4909
40	1	104		24.95	24.75	24.82	24.62	24.28	24.97	27.80	27.53	27.91		
40	50	25		24.67	24.87	24.56	24.53	24.58	24.38	27.61	27.74	27.48		
Limit	Power < 2W			Result									Pass	



NR n41 Maximum Average Power [dBm], DG = -1 dBi														
BW (MHz)	RB Size	RB Offset	Mod	Antenna 2			Antenna 1			Combine			EIRP (dBm)	EIRP (W)
				Lowest	Middle	Highest	Lowest	Middle	Highest	Lowest	Middle	Highest		
50	1	1	BPSK	25.89	25.86	25.81	25.74	25.60	26.06	28.83	28.74	28.95	28.01	0.6324
50	1	131		25.83	25.82	25.59	25.57	25.31	26.01	28.71	28.58	28.82		
50	64	32		25.79	25.85	25.68	25.65	25.50	25.73	28.73	28.69	28.72		
50	1	1	QPSK	25.92	25.96	25.89	25.82	25.64	26.11	28.88	28.81	29.01		
50	1	131		25.89	25.93	25.67	25.68	25.40	26.02	28.80	28.68	28.86		
50	64	32		25.81	25.88	25.71	25.66	25.55	25.81	28.75	28.73	28.77		
50	1	1	16-QAM	25.03	24.93	24.77	24.71	24.59	24.98	27.88	27.77	27.89	26.89	0.4887
50	1	131		25.02	24.64	24.49	24.58	24.58	24.84	27.82	27.62	27.68		
50	64	32		24.82	24.84	24.69	24.67	24.87	24.74	27.76	27.87	27.73		
Limit	Power < 2W			Result									Pass	

NR n41 Maximum Average Power [dBm], DG = -1 dBi														
BW (MHz)	RB Size	RB Offset	Mod	Antenna 2			Antenna 1			Combine			EIRP (dBm)	EIRP (W)
				Lowest	Middle	Highest	Lowest	Middle	Highest	Lowest	Middle	Highest		
60	1	1	BPSK	25.82	25.98	25.77	25.93	26.01	25.85	28.89	29.01	28.82	28.04	0.6368
60	1	160		25.88	25.80	25.59	25.94	25.85	25.99	28.92	28.84	28.80		
60	81	40		25.71	25.89	25.60	25.77	25.90	25.64	28.75	28.91	28.63		
60	1	1	QPSK	25.90	26.05	25.79	25.97	26.00	25.91	28.95	29.04	28.86		
60	1	160		25.99	25.88	25.64	26.05	25.84	26.06	29.03	28.87	28.87		
60	81	40		25.73	25.90	25.60	25.77	25.94	25.67	28.76	28.93	28.65		
60	1	1	16-QAM	24.68	24.80	24.76	25.06	25.07	24.96	27.88	27.95	27.87	26.97	0.4977
60	1	160		24.79	24.54	24.20	25.12	24.82	24.78	27.97	27.69	27.51		
60	81	40		24.70	24.92	24.60	24.80	24.90	24.72	27.76	27.92	27.67		
Limit	Power < 2W			Result									Pass	





NR n41 Maximum Average Power [dBm], DG = -1 dBi														
BW (MHz)	RB Size	RB Offset	Mod	Antenna 2			Antenna 1			Combine			EIRP (dBm)	EIRP (W)
				Lowest	Middle	Highest	Lowest	Middle	Highest	Lowest	Middle	Highest		
70	1	1	BPSK	25.91	26.01	25.79	26.01	25.86	25.63	28.97	28.95	28.72	28.08	0.6427
70	1	187		25.96	25.80	25.65	26.03	25.87	25.98	29.01	28.85	28.83		
70	90	45		25.81	25.92	25.52	25.39	25.81	25.53	28.62	28.88	28.54		
70	1	1	QPSK	25.93	26.11	25.80	26.01	26.02	25.70	28.98	29.08	28.76		
70	1	187		26.01	25.91	25.71	25.59	25.94	26.01	28.82	28.94	28.87		
70	90	45		25.79	25.95	25.56	25.28	25.82	25.54	28.55	28.90	28.56		
70	1	1	16-QAM	24.67	25.01	24.87	24.94	24.90	24.66	27.82	27.97	27.78	27.00	0.5012
70	1	187		24.90	24.79	24.65	25.07	24.83	25.03	28.00	27.82	27.85		
70	90	45		24.85	24.89	24.50	24.57	24.83	24.57	27.72	27.87	27.55		
Limit	Power < 2W			Result									Pass	

NR n41 Maximum Average Power [dBm], DG = -1 dBi														
BW (MHz)	RB Size	RB Offset	Mod	Antenna 2			Antenna 1			Combine			EIRP (dBm)	EIRP (W)
				Lowest	Middle	Highest	Lowest	Middle	Highest	Lowest	Middle	Highest		
80	1	1	BPSK	25.87	25.97	25.89	26.00	25.99	25.61	28.95	28.99	28.76	28.09	0.6442
80	1	215		26.01	25.81	25.64	26.08	26.04	26.03	29.06	28.94	28.85		
80	108	54		25.73	25.89	25.60	25.80	25.83	25.63	28.78	28.87	28.63		
80	1	1	QPSK	25.93	26.02	25.91	26.03	26.00	25.67	28.99	29.02	28.80		
80	1	215		25.97	25.89	25.66	26.19	26.11	26.10	29.09	29.01	28.90		
80	108	54		25.73	25.89	25.66	25.83	25.84	25.69	28.79	28.88	28.69		
80	1	1	16-QAM	24.95	24.85	24.76	25.05	24.89	24.62	28.01	27.88	27.70	27.12	0.5152
80	1	215		25.06	24.80	24.39	25.16	25.21	25.12	28.12	28.02	27.78		
80	108	54		24.67	24.85	24.63	24.76	24.83	24.67	27.73	27.85	27.66		
Limit	Power < 2W			Result									Pass	



NR n41 Maximum Average Power [dBm], DG = -1 dBi														
BW (MHz)	RB Size	RB Offset	Mod	Antenna 6			Antenna 1			Combine			EIRP (dBm)	EIRP (W)
				Lowest	Middle	Highest	Lowest	Middle	Highest	Lowest	Middle	Highest		
90	1	1	BPSK	25.98	26.00	26.04	26.07	26.03	25.80	29.04	29.03	28.93	28.17	0.6561
90	1	243		25.93	25.85	25.61	26.07	26.11	26.07	29.01	28.99	28.86		
90	120	60		25.86	25.92	25.77	25.94	25.84	25.86	28.91	28.89	28.83		
90	1	1	QPSK	26.06	26.16	26.22	26.04	26.15	25.83	29.06	29.17	29.04		
90	1	243		26.00	25.92	25.75	26.15	26.20	26.13	29.09	29.07	28.95		
90	120	60		25.88	25.92	25.79	25.96	25.88	25.88	28.93	28.91	28.85		
90	1	1	16-QAM	24.91	25.10	24.92	25.24	24.94	24.66	28.09	28.03	27.80	27.09	0.5117
90	1	243		24.72	24.89	24.62	25.06	25.05	25.09	27.90	27.98	27.87		
90	120	60		24.84	24.89	24.75	24.93	24.82	24.89	27.90	27.87	27.83		
Limit	Power < 2W			Result									Pass	

NR n41 Maximum Average Power [dBm], DG = -1 dBi														
BW (MHz)	RB Size	RB Offset	Mod	Antenna 2			Antenna 1			Combine			EIRP (dBm)	EIRP (W)
				Lowest	Middle	Highest	Lowest	Middle	Highest	Lowest	Middle	Highest		
100	1	1	BPSK	25.98	25.97	25.97	26.07	26.02	25.90	29.04	29.01	28.95	28.14	0.6516
100	1	271		26.04	25.86	25.74	26.10	26.18	26.13	29.08	29.03	28.95		
100	135	67		25.82	25.89	25.75	25.82	25.79	25.82	28.83	28.85	28.80		
100	1	1	QPSK	26.01	25.98	26.07	26.09	26.09	25.92	29.06	29.05	29.01		
100	1	271		26.13	25.73	25.77	26.12	26.21	26.20	29.14	28.99	29.00		
100	135	67		25.80	25.97	25.75	25.86	25.87	25.77	28.84	28.93	28.77		
100	1	1	16-QAM	25.00	24.74	25.29	25.01	24.87	24.99	28.02	27.82	28.15	27.17	0.5212
100	1	271		25.18	24.72	24.95	25.14	25.18	25.17	28.17	27.97	28.07		
100	135	67		24.77	24.87	24.71	24.87	24.83	24.77	27.83	27.86	27.75		
Limit	Power < 2W			Result									Pass	



Part270 NR n77 Maximum Average Power [dBm], DG = 0.2 dBi														
BW (MHz)	RB Size	RB Offset	Mod	Antenna 6			Antenna 1			Combine			EIRP (dBm)	EIRP (W)
				Lowest	Middle	Highest	Lowest	Middle	Highest	Lowest	Middle	Highest		
10	1	1	BPSK	25.61	25.62	25.13	25.11	25.01	24.98	28.38	28.34	28.07	28.62	0.7278
10	1	22		25.62	25.65	25.12	25.09	25.04	24.92	28.37	28.37	28.03		
10	12	6		25.58	25.66	25.20	25.11	25.04	25.02	28.36	28.37	28.12		
10	1	1	QPSK	25.62	25.64	25.22	25.13	25.05	24.99	28.39	28.37	28.12		
10	1	22		25.69	25.66	25.19	25.10	25.05	24.96	28.42	28.38	28.09		
10	12	6		25.58	25.67	25.15	25.09	25.06	24.99	28.35	28.39	28.08		
10	1	1	16-QAM	24.42	24.47	24.12	24.09	24.05	23.96	27.27	27.28	27.05	27.66	0.5834
10	1	22		24.52	24.68	24.15	24.12	24.20	23.96	27.33	27.46	27.07		
10	12	6		24.60	24.60	24.11	24.03	24.06	23.97	27.33	27.35	27.05		
Limit	EIRP < 1W			Result									Pass	

Part270 NR n77 Maximum Average Power [dBm], DG = 0.2 dBi														
BW (MHz)	RB Size	RB Offset	Mod	Antenna 6			Antenna 1			Combine			EIRP (dBm)	EIRP (W)
				Lowest	Middle	Highest	Lowest	Middle	Highest	Lowest	Middle	Highest		
15	1	1	BPSK	25.56	25.68	25.25	25.11	25.10	25.16	28.35	28.41	28.22	28.68	0.7379
15	1	36		25.60	25.74	25.16	25.08	25.11	25.06	28.36	28.45	28.12		
15	18	9		25.62	25.69	25.25	25.17	25.14	25.14	28.41	28.43	28.21		
15	1	1	QPSK	25.60	25.67	25.26	25.19	25.11	25.19	28.41	28.41	28.24		
15	1	36		25.64	25.78	25.21	25.17	25.14	25.17	28.42	28.48	28.20		
15	18	9		25.67	25.72	25.25	25.20	25.12	25.18	28.45	28.44	28.23		
15	1	1	16-QAM	24.54	24.54	24.15	24.14	23.99	24.06	27.35	27.28	27.12	27.63	0.5794
15	1	36		24.67	24.60	24.14	24.09	24.02	24.17	27.40	27.33	27.17		
15	18	9		24.68	24.75	24.20	24.15	24.04	24.13	27.43	27.42	27.18		
Limit	EIRP < 1W			Result									Pass	



Part270 NR n77 Maximum Average Power [dBm], DG = 0.2 dBi														
BW (MHz)	RB Size	RB Offset	Mod	Antenna 6			Antenna 1			Combine			EIRP (dBm)	EIRP (W)
				Lowest	Middle	Highest	Lowest	Middle	Highest	Lowest	Middle	Highest		
20	1	1	BPSK	25.60	25.68	25.25	25.22	25.11	25.05	28.42	28.41	28.16	28.71	0.7430
20	1	49		25.59	25.76	25.22	25.11	25.11	25.06	28.37	28.46	28.15		
20	25	12		25.70	25.73	25.25	25.23	25.15	25.16	28.48	28.46	28.22		
20	1	1	QPSK	25.59	25.74	25.29	25.25	25.14	25.12	28.43	28.46	28.22		
20	1	49		25.62	25.82	25.26	25.16	25.15	25.13	28.41	28.51	28.21		
20	25	12		25.70	25.70	25.30	25.23	25.12	25.16	28.48	28.43	28.24		
20	1	1	16-QAM	24.62	24.71	24.11	24.32	24.09	23.94	27.48	27.42	27.04	27.68	0.5861
20	1	49		24.59	24.72	24.13	24.12	24.11	23.94	27.37	27.44	27.05		
20	25	12		24.70	24.72	24.27	24.20	24.11	24.16	27.47	27.44	27.23		
Limit	EIRP < 1W			Result									Pass	

Part270 NR n77 Maximum Average Power [dBm], DG = 0.2 dBi														
BW (MHz)	RB Size	RB Offset	Mod	Antenna 6			Antenna 1			Combine			EIRP (dBm)	EIRP (W)
				Lowest	Middle	Highest	Lowest	Middle	Highest	Lowest	Middle	Highest		
25	1	1	BPSK	25.68	25.75	25.26	25.29	25.19	25.03	28.50	28.49	28.16	28.77	0.7534
25	1	63		25.65	25.81	25.26	25.09	25.18	25.10	28.39	28.52	28.19		
25	32	16		25.75	25.77	25.32	25.27	25.15	25.14	28.53	28.48	28.24		
25	1	1	QPSK	25.69	25.77	25.31	25.28	25.16	25.06	28.50	28.49	28.20		
25	1	63		25.67	25.85	25.31	25.18	25.25	25.10	28.44	28.57	28.22		
25	32	16		25.72	25.76	25.30	25.29	25.10	25.14	28.52	28.45	28.23		
25	1	1	16-QAM	24.66	24.68	24.33	24.30	24.04	24.06	27.49	27.38	27.21	27.72	0.5916
25	1	63		24.57	24.81	24.25	24.13	24.01	24.04	27.37	27.44	27.16		
25	32	16		24.75	24.76	24.33	24.25	24.15	24.13	27.52	27.48	27.24		
Limit	EIRP < 1W			Result									Pass	



Part270 NR n77 Maximum Average Power [dBm], DG = 0.2 dBi														
BW (MHz)	RB Size	RB Offset	Mod	Antenna 6			Antenna 1			Combine			EIRP (dBm)	EIRP (W)
				Lowest	Middle	Highest	Lowest	Middle	Highest	Lowest	Middle	Highest		
30	1	1	BPSK	25.58	25.71	25.43	25.12	25.15	25.12	28.37	28.45	28.29	28.82	0.7621
30	1	76		25.71	25.79	25.10	25.10	25.23	25.11	28.43	28.53	28.12		
30	36	18		25.69	25.73	25.32	25.15	25.17	25.24	28.44	28.47	28.29		
30	1	1	QPSK	25.63	25.82	25.42	25.18	25.19	25.19	28.42	28.53	28.32		
30	1	76		25.80	25.90	25.14	25.17	25.30	25.14	28.51	28.62	28.15		
30	36	18		25.72	25.75	25.31	25.15	25.17	25.23	28.45	28.48	28.28		
30	1	1	16-QAM	24.48	24.49	24.29	24.12	24.02	23.97	27.31	27.27	27.14	27.68	0.5861
30	1	76		24.63	24.64	24.04	24.10	24.15	23.92	27.38	27.41	26.99		
30	36	18		24.71	24.74	24.32	24.16	24.19	24.20	27.45	27.48	27.27		
Limit	EIRP < 1W			Result									Pass	

Part270 NR n77 Maximum Average Power [dBm], DG = 0.2 dBi														
BW (MHz)	RB Size	RB Offset	Mod	Antenna 6			Antenna 1			Combine			EIRP (dBm)	EIRP (W)
				Lowest	Middle	Highest	Lowest	Middle	Highest	Lowest	Middle	Highest		
40	1	1	BPSK	25.68	25.71	25.28	25.29	25.09	24.90	28.50	28.42	28.10	28.77	0.7534
40	1	104		25.69	25.76	25.18	25.10	25.22	25.10	28.42	28.51	28.15		
40	50	25		25.68	25.75	25.31	25.10	25.15	25.13	28.41	28.47	28.23		
40	1	1	QPSK	25.65	25.73	25.29	25.26	25.14	25.00	28.47	28.46	28.16		
40	1	104		25.72	25.81	25.23	25.15	25.30	25.12	28.45	28.57	28.19		
40	50	25		25.63	25.73	25.32	25.17	25.14	25.11	28.42	28.46	28.23		
40	1	1	16-QAM	24.60	24.55	23.98	24.30	23.98	23.68	27.46	27.28	26.84	27.66	0.5834
40	1	104		24.69	24.62	24.09	24.08	24.20	24.25	27.41	27.43	27.18		
40	50	25		24.72	24.73	24.29	24.13	24.11	24.15	27.45	27.44	27.23		
Limit	EIRP < 1W			Result									Pass	



Part270 NR n77 Maximum Average Power [dBm], DG = 0.2 dBi														
BW (MHz)	RB Size	RB Offset	Mod	Antenna 6			Antenna 1			Combine			EIRP (dBm)	EIRP (W)
				Lowest	Middle	Highest	Lowest	Middle	Highest	Lowest	Middle	Highest		
50	1	1	BPSK	25.50	25.74	25.43	25.13	25.11	25.11	28.33	28.45	28.28	28.78	0.7551
50	1	131		25.80	25.82	25.24	25.14	25.31	25.08	28.49	28.58	28.17		
50	64	32		25.65	25.69	25.43	25.07	25.15	25.13	28.38	28.44	28.29		
50	1	1	QPSK	25.55	25.75	25.42	25.23	25.08	25.14	28.40	28.44	28.29		
50	1	131		25.93	25.78	25.32	25.10	25.30	25.03	28.55	28.56	28.19		
50	64	32		25.62	25.78	25.36	25.11	25.19	25.14	28.38	28.51	28.26		
50	1	1	16-QAM	24.55	24.85	24.29	24.05	24.08	24.16	27.32	27.49	27.24	27.80	0.6026
50	1	131		24.88	24.89	24.24	24.06	24.27	24.11	27.50	27.60	27.19		
50	64	32		24.59	24.76	24.36	23.98	24.19	24.07	27.31	27.49	27.23		
Limit	EIRP < 1W			Result									Pass	

Part270 NR n77 Maximum Average Power [dBm], DG = 0.2 dBi														
BW (MHz)	RB Size	RB Offset	Mod	Antenna 1			Antenna 2			Combine			EIRP (dBm)	EIRP (W)
				Lowest	Middle	Highest	Lowest	Middle	Highest	Lowest	Middle	Highest		
60	1	1	BPSK	25.65	25.71	25.37	25.21	25.13	25.12	28.45	28.44	28.26	28.79	0.7568
60	1	160		25.65	25.74	25.41	25.13	25.36	25.09	28.41	28.56	28.26		
60	81	40		25.65	25.76	25.43	25.13	25.10	25.05	28.41	28.45	28.25		
60	1	1	QPSK	25.64	25.77	25.48	25.21	25.13	25.17	28.44	28.47	28.34		
60	1	160		25.68	25.77	25.42	25.11	25.39	25.04	28.41	28.59	28.24		
60	81	40		25.69	25.71	25.46	25.11	25.16	25.04	28.42	28.45	28.27		
60	1	1	16-QAM	24.34	24.59	24.32	24.12	24.02	24.16	27.24	27.32	27.25	27.67	0.5848
60	1	160		24.47	24.59	24.38	24.05	24.23	24.22	27.28	27.42	27.31		
60	81	40		24.66	24.73	24.38	24.10	24.17	24.01	27.40	27.47	27.21		
Limit	EIRP < 1W			Result									Pass	



Part270 NR n77 Maximum Average Power [dBm], DG = 0.2 dBi														
BW (MHz)	RB Size	RB Offset	Mod	Antenna 6			Antenna 1			Combine			EIRP (dBm)	EIRP (W)
				Lowest	Middle	Highest	Lowest	Middle	Highest	Lowest	Middle	Highest		
70	1	1	BPSK	25.57	25.76	25.54	25.11	25.12	25.16	28.36	28.46	28.36	28.81	0.7603
70	1	187		25.80	25.76	25.51	25.22	25.29	25.15	28.53	28.54	28.34		
70	90	45		25.64	25.78	25.34	25.05	25.16	24.93	28.37	28.49	28.15		
70	1	1	QPSK	25.63	25.80	25.67	25.21	25.14	25.21	28.44	28.49	28.46		
70	1	187		25.89	25.82	25.62	25.29	25.32	25.28	28.61	28.59	28.46		
70	90	45		25.63	25.74	25.34	25.03	25.18	24.93	28.35	28.48	28.15		
70	1	1	16-QAM	24.37	24.82	24.78	23.82	24.04	24.10	27.11	27.46	27.46	27.82	0.6053
70	1	187		24.89	24.57	24.69	24.32	24.07	24.20	27.62	27.34	27.46		
70	90	45		24.66	24.75	24.36	24.00	24.13	23.93	27.35	27.46	27.16		
Limit	EIRP < 1W			Result										

Part270 NR n77 Maximum Average Power [dBm], DG = 0.2 dBi														
BW (MHz)	RB Size	RB Offset	Mod	Antenna 6			Antenna 1			Combine			EIRP (dBm)	EIRP (W)
				Lowest	Middle	Highest	Lowest	Middle	Highest	Lowest	Middle	Highest		
80	1	1	BPSK	25.69	25.79	25.59	25.24	25.13	25.11	28.48	28.48	28.37	28.76	0.7516
80	1	215		25.75	25.73	25.35	25.15	25.26	25.14	28.47	28.51	28.26		
80	108	54		25.71	25.77	25.34	25.08	25.16	24.95	28.42	28.49	28.16		
80	1	1	QPSK	25.70	25.78	25.64	25.27	25.15	25.20	28.50	28.49	28.44		
80	1	215		25.82	25.80	25.37	25.25	25.28	25.21	28.55	28.56	28.30		
80	108	54		25.67	25.76	25.39	25.07	25.13	24.96	28.39	28.47	28.19		
80	1	1	16-QAM	24.75	24.54	24.45	24.25	24.05	24.10	27.52	27.31	27.29	27.72	0.5916
80	1	215		24.80	24.55	24.34	24.14	24.33	24.20	27.49	27.45	27.28		
80	108	54		24.68	24.76	24.35	24.06	24.12	23.93	27.39	27.46	27.16		
Limit	EIRP < 1W			Result										



Part270 NR n77 Maximum Average Power [dBm], DG = 0.2 dBi														
BW (MHz)	RB Size	RB Offset	Mod	Antenna 6			Antenna 1			Combine			EIRP (dBm)	EIRP (W)
				Lowest	Middle	Highest	Lowest	Middle	Highest	Lowest	Middle	Highest		
90	1	1	BPSK	25.62	25.77	25.75	25.15	25.23	25.38	28.40	28.52	28.58	28.88	0.7727
90	1	243		26.00	25.73	25.21	25.32	25.25	25.07	28.68	28.51	28.15		
90	120	60		25.65	25.77	25.39	25.00	25.14	25.11	28.35	28.48	28.26		
90	1	1	QPSK	25.60	25.78	25.86	25.20	25.25	25.33	28.41	28.53	28.61		
90	1	243		25.97	25.72	25.34	25.32	25.28	25.05	28.67	28.52	28.21		
90	120	60		25.66	25.78	25.37	24.99	25.14	25.13	28.35	28.48	28.26		
90	1	1	16-QAM	24.52	24.78	24.81	24.12	24.05	24.28	27.33	27.44	27.56	27.81	0.6039
90	1	243		24.91	24.74	24.11	24.27	24.13	23.78	27.61	27.46	26.96		
90	120	60		24.68	24.77	24.35	24.01	24.14	24.10	27.37	27.48	27.24		
Limit	EIRP < 1W			Result									Pass	

Part270 NR n77 Maximum Average Power [dBm], DG = 0.2 dBi														
BW (MHz)	RB Size	RB Offset	Mod	Antenna 6			Antenna 1			Combine			EIRP (dBm)	EIRP (W)
				Lowest	Middle	Highest	Lowest	Middle	Highest	Lowest	Middle	Highest		
100	1	1	BPSK	25.74	25.86	25.77	25.34	25.25	25.33	28.55	28.58	28.57	28.84	0.7656
100	1	271		25.87	25.80	25.48	25.28	25.32	25.22	28.60	28.58	28.36		
100	135	67		25.75	25.77	25.40	25.10	25.11	25.10	28.45	28.46	28.26		
100	1	1	QPSK	25.73	25.92	25.79	25.35	25.26	25.36	28.55	28.61	28.59		
100	1	271		25.92	25.86	25.56	25.32	25.33	25.25	28.64	28.61	28.42		
100	135	67		25.76	25.79	25.40	25.10	25.16	25.10	28.45	28.50	28.26		
100	1	1	16-QAM	24.64	24.97	24.42	24.41	24.10	24.15	27.54	27.57	27.30	27.79	0.6012
100	1	271		24.79	24.90	24.15	24.36	24.16	24.04	27.59	27.56	27.11		
100	135	67		24.75	24.79	24.41	24.08	24.13	24.09	27.44	27.48	27.26		
Limit	EIRP < 1W			Result									Pass	





Part27Q NR n77 Maximum Average Power [dBm], DG = 0.6 dBi														
BW (MHz)	RB Size	RB Offset	Mod	Antenna 6			Antenna 1			Combine			EIRP (dBm)	EIRP (W)
				Lowest	Middle	Highest	Lowest	Middle	Highest	Lowest	Middle	Highest		
10	1	1	BPSK	25.66	25.64	25.69	25.36	25.34	25.38	28.52	28.50	28.55	29.27	0.8453
10	1	22		25.53	25.61	25.76	25.39	25.32	25.45	28.47	28.48	28.62		
10	12	6		25.63	25.62	25.74	25.39	25.30	25.49	28.52	28.47	28.63		
10	1	1	QPSK	25.71	25.69	25.72	25.36	25.38	25.45	28.55	28.55	28.60		
10	1	22		25.59	25.67	25.80	25.40	25.33	25.51	28.51	28.51	28.67		
10	12	6		25.61	25.64	25.75	25.39	25.32	25.48	28.51	28.49	28.63		
10	1	1	16-QAM	24.69	24.54	24.41	24.34	24.15	24.14	27.53	27.36	27.29	28.21	0.6622
10	1	22		24.69	24.60	24.70	24.50	24.26	24.36	27.61	27.44	27.54		
10	12	6		24.66	24.62	24.71	24.39	24.33	24.48	27.54	27.49	27.61		
Limit	EIRP < 1W			Result									Pass	

Part27Q NR n77 Maximum Average Power [dBm], DG = 0.6 dBi														
BW (MHz)	RB Size	RB Offset	Mod	Antenna 6			Antenna 1			Combine			EIRP (dBm)	EIRP (W)
				Lowest	Middle	Highest	Lowest	Middle	Highest	Lowest	Middle	Highest		
15	1	1	BPSK	25.68	25.66	25.56	25.41	25.40	25.36	28.56	28.54	28.47	29.25	0.8414
15	1	36		25.49	25.64	25.76	25.40	25.33	25.40	28.46	28.50	28.59		
15	18	9		25.61	25.65	25.68	25.47	25.30	25.38	28.55	28.49	28.54		
15	1	1	QPSK	25.78	25.65	25.57	25.49	25.44	25.43	28.65	28.56	28.51		
15	1	36		25.57	25.60	25.69	25.52	25.37	25.46	28.56	28.50	28.59		
15	18	9		25.64	25.63	25.68	25.47	25.30	25.42	28.57	28.48	28.56		
15	1	1	16-QAM	24.66	24.86	24.41	24.36	24.50	24.17	27.52	27.69	27.30	28.29	0.6745
15	1	36		24.45	24.65	24.66	24.38	24.20	24.32	27.43	27.44	27.50		
15	18	9		24.61	24.60	24.66	24.46	24.29	24.39	27.55	27.46	27.54		
Limit	EIRP < 1W			Result									Pass	



Part27Q NR n77 Maximum Average Power [dBm], DG = 0.6 dBi														
BW (MHz)	RB Size	RB Offset	Mod	Antenna 6			Antenna 1			Combine			EIRP (dBm)	EIRP (W)
				Lowest	Middle	Highest	Lowest	Middle	Highest	Lowest	Middle	Highest		
20	1	1	BPSK	25.76	25.64	25.46	25.47	25.45	25.30	28.63	28.56	28.39	29.28	0.8472
20	1	49		25.50	25.59	25.69	25.53	25.29	25.36	28.53	28.45	28.54		
20	25	12		25.62	25.64	25.58	25.50	25.35	25.31	28.57	28.51	28.46		
20	1	1	QPSK	25.84	25.70	25.47	25.50	25.46	25.37	28.68	28.59	28.43		
20	1	49		25.56	25.64	25.69	25.52	25.38	25.41	28.55	28.52	28.56		
20	25	12		25.61	25.65	25.55	25.53	25.33	25.32	28.58	28.50	28.45		
20	1	1	16-QAM	24.69	24.83	24.44	24.45	24.33	24.19	27.58	27.60	27.33	28.2	0.6607
20	1	49		24.44	24.72	24.56	24.56	24.24	24.22	27.51	27.50	27.40		
20	25	12		24.62	24.60	24.56	24.50	24.30	24.30	27.57	27.46	27.44		
Limit	EIRP < 1W			Result									Pass	

Part27Q NR n77 Maximum Average Power [dBm], DG = 0.6 dBi														
BW (MHz)	RB Size	RB Offset	Mod	Antenna 6			Antenna 1			Combine			EIRP (dBm)	EIRP (W)
				Lowest	Middle	Highest	Lowest	Middle	Highest	Lowest	Middle	Highest		
25	1	1	BPSK	25.80	25.65	25.38	25.53	25.49	25.24	28.68	28.58	28.32	29.30	0.8511
25	1	63		25.54	25.61	25.65	25.54	25.34	25.34	28.55	28.49	28.51		
25	32	16		25.64	25.61	25.53	25.60	25.30	25.27	28.63	28.47	28.41		
25	1	1	QPSK	25.80	25.68	25.42	25.57	25.50	25.23	28.70	28.60	28.34		
25	1	63		25.53	25.59	25.68	25.58	25.37	25.35	28.57	28.49	28.53		
25	32	16		25.62	25.63	25.53	25.58	25.30	25.26	28.61	28.48	28.41		
25	1	1	16-QAM	24.67	24.68	24.40	24.61	24.30	24.18	27.65	27.50	27.30	28.25	0.6683
25	1	63		24.44	24.61	24.65	24.57	24.17	24.19	27.52	27.41	27.44		
25	32	16		24.64	24.62	24.50	24.55	24.30	24.27	27.61	27.47	27.40		
Limit	EIRP < 1W			Result									Pass	



Part27Q NR n77 Maximum Average Power [dBm], DG = 0.6 dBi														
BW (MHz)	RB Size	RB Offset	Mod	Antenna 6			Antenna 1			Combine			EIRP (dBm)	EIRP (W)
				Lowest	Middle	Highest	Lowest	Middle	Highest	Lowest	Middle	Highest		
30	1	1	BPSK	25.64	25.60	25.49	25.34	25.47	25.42	28.50	28.55	28.47	29.23	0.8375
30	1	76		25.48	25.54	25.76	25.40	25.34	25.46	28.45	28.45	28.62		
30	36	18		25.48	25.64	25.63	25.41	25.34	25.49	28.46	28.50	28.57		
30	1	1	QPSK	25.71	25.68	25.53	25.40	25.49	25.46	28.57	28.60	28.51		
30	1	76		25.51	25.55	25.78	25.39	25.33	25.46	28.46	28.45	28.63		
30	36	18		25.46	25.65	25.62	25.41	25.33	25.44	28.45	28.50	28.54		
30	1	1	16-QAM	24.66	24.39	24.64	24.43	24.44	24.39	27.56	27.43	27.53	28.22	0.6637
30	1	76		24.54	24.46	24.87	24.49	24.46	24.33	27.53	27.47	27.62		
30	36	18		24.46	24.65	24.61	24.39	24.35	24.44	27.44	27.51	27.54		
Limit	EIRP < 1W			Result									Pass	

Part27Q NR n77 Maximum Average Power [dBm], DG = 0.6 dBi														
BW (MHz)	RB Size	RB Offset	Mod	Antenna 6			Antenna 1			Combine			EIRP (dBm)	EIRP (W)
				Lowest	Middle	Highest	Lowest	Middle	Highest	Lowest	Middle	Highest		
40	1	1	BPSK	25.76	25.52	25.52	25.46	25.43	25.32	28.62	28.49	28.43	29.27	0.8453
40	1	104		25.74	25.41	25.69	25.45	25.28	25.41	28.61	28.36	28.56		
40	50	25		25.52	25.65	25.47	25.52	25.31	25.35	28.53	28.49	28.42		
40	1	1	QPSK	25.80	25.60	25.64	25.52	25.45	25.34	28.67	28.54	28.50		
40	1	104		25.71	25.52	25.82	25.52	25.37	25.38	28.63	28.46	28.62		
40	50	25		25.56	25.64	25.47	25.54	25.36	25.32	28.56	28.51	28.41		
40	1	1	16-QAM	24.74	24.70	24.53	24.41	24.52	24.20	27.59	27.62	27.38	28.22	0.6637
40	1	104		24.70	24.39	24.67	24.45	24.24	24.18	27.59	27.33	27.44		
40	50	25		24.53	24.64	24.43	24.52	24.33	24.32	27.54	27.50	27.39		
Limit	EIRP < 1W			Result									Pass	



Part27Q NR n77 Maximum Average Power [dBm], DG = 0.6 dBi														
BW (MHz)	RB Size	RB Offset	Mod	Antenna 6			Antenna 1			Combine			EIRP (dBm)	EIRP (W)
				Lowest	Middle	Highest	Lowest	Middle	Highest	Lowest	Middle	Highest		
50	1	1	BPSK	25.67	25.56	25.52	25.39	25.46	25.16	28.54	28.52	28.35	29.15	0.8222
50	1	131		25.64	25.46	25.67	25.23	25.31	25.30	28.45	28.40	28.50		
50	64	32		25.45	25.61	25.40	25.43	25.28	25.20	28.45	28.46	28.31		
50	1	1	QPSK	25.69	25.55	25.50	25.36	25.52	25.16	28.54	28.55	28.34		
50	1	131		25.69	25.50	25.77	25.30	25.35	25.29	28.51	28.44	28.55		
50	64	32		25.45	25.56	25.37	25.38	25.33	25.23	28.43	28.46	28.31		
50	1	1	16-QAM	24.51	24.51	24.45	24.19	24.44	24.11	27.36	27.49	27.29	28.18	0.6577
50	1	131		24.57	24.43	24.71	24.31	24.30	24.42	27.45	27.38	27.58		
50	64	32		24.48	24.65	24.34	24.40	24.34	24.21	27.45	27.51	27.29		
Limit	EIRP < 1W			Result									Pass	

Part27Q NR n77 Maximum Average Power [dBm], DG = 0.6 dBi														
BW (MHz)	RB Size	RB Offset	Mod	Antenna 6			Antenna 1			Combine			EIRP (dBm)	EIRP (W)
				Lowest	Middle	Highest	Lowest	Middle	Highest	Lowest	Middle	Highest		
60	1	1	BPSK	25.82	25.44	25.73	25.51	25.58	25.45	28.68	28.52	28.60	29.28	0.8472
60	1	160		25.68	25.51	25.80	25.38	25.35	25.45	28.54	28.44	28.64		
60	81	40		25.61	25.71	25.51	25.46	25.33	25.35	28.55	28.53	28.44		
60	1	1	QPSK	25.79	25.50	25.75	25.47	25.58	25.54	28.64	28.55	28.66		
60	1	160		25.66	25.56	25.81	25.38	25.38	25.48	28.53	28.48	28.66		
60	81	40		25.59	25.61	25.47	25.55	25.33	25.32	28.58	28.48	28.41		
60	1	1	16-QAM	24.57	24.65	24.73	24.57	24.53	24.54	27.58	27.60	27.65	28.25	0.6683
60	1	160		24.52	24.62	24.75	24.39	24.47	24.17	27.47	27.56	27.48		
60	81	40		24.68	24.62	24.53	24.49	24.35	24.36	27.60	27.50	27.46		
Limit	EIRP < 1W			Result									Pass	



Part27Q NR n77 Maximum Average Power [dBm], DG = 0.6 dBi														
BW (MHz)	RB Size	RB Offset	Mod	Antenna 6			Antenna 1			Combine			EIRP (dBm)	EIRP (W)
				Lowest	Middle	Highest	Lowest	Middle	Highest	Lowest	Middle	Highest		
70	1	1	BPSK	25.75	25.54	25.67	25.41	25.52	25.61	28.59	28.54	28.65	29.26	0.8433
70	1	187		25.59	25.58	25.75	25.35	25.39	25.50	28.48	28.50	28.64		
70	90	45		25.53	25.65	25.67	25.39	25.35	25.48	28.47	28.51	28.59		
70	1	1	QPSK	25.80	25.62	25.66	25.47	25.60	25.63	28.65	28.62	28.66		
70	1	187		25.61	25.66	25.74	25.39	25.44	25.46	28.51	28.56	28.61		
70	90	45		25.55	25.67	25.70	25.39	25.36	25.50	28.48	28.53	28.61		
70	1	1	16-QAM	24.82	23.76	24.85	24.57	24.44	24.51	27.71	27.12	27.69	28.31	0.6776
70	1	187		24.35	24.55	24.85	24.21	24.40	24.46	27.29	27.49	27.67		
70	90	45		24.57	24.65	24.67	24.38	24.35	24.49	27.49	27.51	27.59		
Limit	EIRP < 1W			Result									Pass	

Part27Q NR n77 Maximum Average Power [dBm], DG = 0.6 dBi														
BW (MHz)	RB Size	RB Offset	Mod	Antenna 6			Antenna 1			Combine			EIRP (dBm)	EIRP (W)
				Lowest	Middle	Highest	Lowest	Middle	Highest	Lowest	Middle	Highest		
80	1	1	BPSK	25.88	25.59	25.51	25.47	25.53	25.58	28.69	28.57	28.56	29.30	0.8511
80	1	215		25.57	25.65	25.81	25.40	25.39	25.48	28.50	28.53	28.66		
80	108	54		25.72	25.58	25.65	25.50	25.31	25.41	28.62	28.46	28.54		
80	1	1	QPSK	25.77	25.68	25.57	25.56	25.50	25.59	28.68	28.60	28.59		
80	1	215		25.50	25.75	25.87	25.47	25.44	25.50	28.50	28.61	28.70		
80	108	54		25.71	25.62	25.63	25.48	25.35	25.41	28.61	28.50	28.53		
80	1	1	16-QAM	24.70	24.73	24.45	24.52	24.66	24.56	27.62	27.71	27.52	28.31	0.6776
80	1	215		24.51	24.66	24.68	24.37	24.23	24.53	27.45	27.46	27.62		
80	108	54		24.72	24.62	24.65	24.51	24.33	24.43	27.63	27.49	27.55		
Limit	EIRP < 1W			Result									Pass	



Part27Q NR n77 Maximum Average Power [dBm], DG = 0.6 dBi														
BW (MHz)	RB Size	RB Offset	Mod	Antenna 6			Antenna 1			Combine			EIRP (dBm)	EIRP (W)
				Lowest	Middle	Highest	Lowest	Middle	Highest	Lowest	Middle	Highest		
90	1	1	BPSK	25.78	25.73	25.71	25.50	25.53	25.64	28.65	28.64	28.69	29.42	0.8750
90	1	243		25.81	25.79	25.76	25.44	25.44	25.46	28.64	28.63	28.62		
90	120	60		25.58	25.60	25.68	25.30	25.31	25.48	28.45	28.47	28.59		
90	1	1	QPSK	25.80	25.77	25.96	25.51	25.56	25.66	28.67	28.68	28.82		
90	1	243		25.82	25.80	25.82	25.45	25.47	25.44	28.65	28.65	28.64		
90	120	60		25.59	25.62	25.70	25.28	25.34	25.46	28.45	28.49	28.59		
90	1	1	16-QAM	24.76	24.65	24.80	24.42	24.51	24.60	27.60	27.59	27.71	28.31	0.6776
90	1	243		24.53	24.70	24.77	24.31	24.39	24.29	27.43	27.56	27.55		
90	120	60		24.57	24.58	24.72	24.27	24.34	24.45	27.43	27.47	27.60		
Limit	EIRP < 1W			Result									Pass	

Part27Q NR n77 Maximum Average Power [dBm], DG = 0.6 dBi														
BW (MHz)	RB Size	RB Offset	Mod	Antenna 6			Antenna 1			Combine			EIRP (dBm)	EIRP (W)
				Lowest	Middle	Highest	Lowest	Middle	Highest	Lowest	Middle	Highest		
100	1	1	BPSK	-	25.87	-	-	25.61	-	-	28.75	-	29.44	0.8790
100	1	271		-	25.92	-	-	25.56	-	-	28.75	-		
100	135	67		-	25.59	-	-	25.31	-	-	28.46	-		
100	1	1	QPSK	-	25.99	-	-	25.66	-	-	28.84	-		
100	1	271		-	25.95	-	-	25.66	-	-	28.82	-		
100	135	67		-	25.58	-	-	25.32	-	-	28.46	-		
100	1	1	16-QAM	-	24.79	-	-	24.62	-	-	27.72	-	28.32	0.6792
100	1	271		-	24.80	-	-	24.54	-	-	27.68	-		
100	135	67		-	24.60	-	-	24.32	-	-	27.47	-		
Limit	EIRP < 1W			Result									Pass	



NR n41 Maximum Average Power [dBm], DG = 3.76 dBi														
BW (MHz)	RB Size	RB Offset	Mod	Antenna 0			Antenna 5			Combine			EIRP (dBm)	EIRP (W)
				Lowest	Middle	Highest	Lowest	Middle	Highest	Lowest	Middle	Highest		
10	1	1	BPSK	25.86	25.81	25.43	25.41	24.52	24.95	28.65	28.22	28.21	32.41	1.7418
10	1	22		25.82	25.81	25.42	25.08	25.05	24.93	28.48	28.46	28.19		
10	12	6		25.89	25.81	25.44	25.16	25.07	24.97	28.55	28.47	28.22		
10	1	1	QPSK	25.89	25.90	25.52	25.07	24.95	25.02	28.51	28.46	28.29		
10	1	22		25.90	25.92	25.50	25.16	24.91	24.99	28.56	28.45	28.26		
10	12	6		25.89	25.88	25.49	25.18	25.09	25.02	28.56	28.51	28.27		
10	1	1	16-QAM	24.91	24.65	24.35	24.10	23.98	23.91	27.53	27.34	27.15	31.29	1.3459
10	1	22		24.84	24.68	24.31	24.05	24.00	23.87	27.47	27.36	27.11		
10	12	6		24.86	24.92	24.41	24.14	23.98	23.98	27.53	27.49	27.21		
Limit	Power < 2W			Result									Pass	

NR n41 Maximum Average Power [dBm], DG = 3.76 dBi														
BW (MHz)	RB Size	RB Offset	Mod	Antenna 0			Antenna 5			Combine			EIRP (dBm)	EIRP (W)
				Lowest	Middle	Highest	Lowest	Middle	Highest	Lowest	Middle	Highest		
15	1	1	BPSK	25.92	25.83	25.55	25.21	24.94	25.12	28.59	28.42	28.35	32.41	1.7418
15	1	36		25.85	25.84	25.54	25.15	24.86	25.12	28.52	28.39	28.35		
15	18	9		25.95	25.88	25.63	25.21	24.97	25.19	28.61	28.46	28.43		
15	1	1	QPSK	25.98	25.94	25.59	25.26	25.01	25.23	28.65	28.51	28.42		
15	1	36		25.87	25.93	25.60	25.24	24.98	25.23	28.58	28.49	28.43		
15	18	9		25.97	25.87	25.63	25.23	25.02	25.22	28.63	28.48	28.44		
15	1	1	16-QAM	24.89	24.80	24.68	24.22	23.92	24.04	27.58	27.39	27.38	31.36	1.3677
15	1	36		24.87	24.81	24.66	24.21	23.82	24.01	27.56	27.35	27.36		
15	18	9		24.93	24.82	24.60	24.23	23.93	24.20	27.60	27.41	27.41		
Limit	Power < 2W			Result									Pass	

NR n41 Maximum Average Power [dBm], DG = 3.76 dBi														
BW (MHz)	RB Size	RB Offset	Mod	Antenna 0			Antenna 5			Combine			EIRP (dBm)	EIRP (W)
				Lowest	Middle	Highest	Lowest	Middle	Highest	Lowest	Middle	Highest		
20	1	1	BPSK	25.76	25.80	25.56	25.00	24.97	25.00	28.41	28.42	28.30	32.24	1.6749
20	1	49		25.76	25.83	25.51	25.02	24.95	25.07	28.42	28.42	28.31		
20	25	12		25.75	25.85	25.60	24.99	25.03	25.12	28.40	28.47	28.38		
20	1	1	QPSK	25.82	25.91	25.61	25.08	24.93	25.04	28.48	28.46	28.34		
20	1	49		25.76	25.96	25.67	25.06	24.92	25.13	28.43	28.48	28.42		
20	25	12		25.81	25.86	25.61	25.05	25.03	25.18	28.46	28.48	28.41		
20	1	1	16-QAM	24.97	24.69	24.55	23.98	23.90	24.03	27.51	27.32	27.31	31.27	1.3397
20	1	49		24.89	24.68	24.53	23.95	23.88	24.11	27.46	27.31	27.34		
20	25	12		24.77	24.79	24.61	24.01	23.93	24.12	27.42	27.39	27.38		
Limit	Power < 2W			Result									Pass	



NR n41 Maximum Average Power [dBm], DG = 3.76 dBi														
BW (MHz)	RB Size	RB Offset	Mod	Antenna 0			Antenna 5			Combine			EIRP (dBm)	EIRP (W)
				Lowest	Middle	Highest	Lowest	Middle	Highest	Lowest	Middle	Highest		
30	1	1	BPSK	25.86	25.85	25.71	25.11	25.07	24.99	28.51	28.49	28.38	32.38	1.7298
30	1	76		25.80	25.88	25.60	25.08	24.88	25.19	28.47	28.42	28.41		
30	36	18		25.88	25.86	25.68	25.16	24.99	25.20	28.55	28.46	28.46		
30	1	1	QPSK	25.94	25.94	25.79	25.25	25.12	25.08	28.62	28.56	28.46		
30	1	76		25.88	25.90	25.69	25.15	24.97	25.21	28.54	28.47	28.47		
30	36	18		25.88	25.90	25.69	25.16	24.96	25.23	28.55	28.47	28.48		
30	1	1	16-QAM	24.62	24.69	24.64	24.18	24.01	24.06	27.42	27.37	27.37	31.31	1.3521
30	1	76		24.58	24.69	24.54	24.11	23.84	24.15	27.36	27.30	27.36		
30	36	18		24.86	24.87	24.65	24.19	23.98	24.20	27.55	27.46	27.44		
Limit	Power < 2W			Result									Pass	

NR n41 Maximum Average Power [dBm], DG = 3.76 dBi														
BW (MHz)	RB Size	RB Offset	Mod	Antenna 0			Antenna 5			Combine			EIRP (dBm)	EIRP (W)
				Lowest	Middle	Highest	Lowest	Middle	Highest	Lowest	Middle	Highest		
40	1	1	BPSK	25.81	25.89	25.63	24.98	25.08	24.84	28.43	28.51	28.26	32.28	1.6904
40	1	104		25.81	25.85	25.63	25.02	24.99	25.10	28.44	28.45	28.38		
40	50	25		25.75	25.93	25.62	24.99	24.98	25.03	28.40	28.49	28.35		
40	1	1	QPSK	25.91	25.90	25.78	25.06	25.09	24.88	28.52	28.52	28.36		
40	1	104		25.88	25.88	25.74	25.08	25.03	25.11	28.51	28.49	28.45		
40	50	25		25.79	25.91	25.66	25.02	24.98	25.07	28.43	28.48	28.39		
40	1	1	16-QAM	24.74	24.68	24.71	24.11	24.15	23.90	27.45	27.43	27.33	31.21	1.3213
40	1	104		24.59	24.65	24.56	23.92	23.93	23.91	27.28	27.32	27.26		
40	50	25		24.75	24.85	24.63	24.01	23.97	23.99	27.41	27.44	27.33		
Limit	Power < 2W			Result									Pass	





NR n41 Maximum Average Power [dBm], DG = 3.76 dBi														
BW (MHz)	RB Size	RB Offset	Mod	Antenna 0			Antenna 5			Combine			EIRP (dBm)	EIRP (W)
				Lowest	Middle	Highest	Lowest	Middle	Highest	Lowest	Middle	Highest		
50	1	1	BPSK	25.92	25.92	25.84	25.17	25.03	25.06	28.57	28.51	28.48	32.42	1.7458
50	1	131		25.93	25.87	25.56	25.12	24.97	25.17	28.55	28.45	28.38		
50	64	32		25.86	25.89	25.67	25.12	24.98	25.04	28.52	28.47	28.38		
50	1	1	QPSK	26.04	26.06	25.83	25.23	25.07	25.16	28.66	28.60	28.52		
50	1	131		26.04	26.00	25.65	25.16	25.09	25.26	28.63	28.58	28.47		
50	64	32		25.87	25.94	25.72	25.07	24.98	25.13	28.50	28.50	28.45		
50	1	1	16-QAM	24.78	24.86	24.60	24.09	23.84	24.01	27.46	27.39	27.33	31.36	1.3677
50	1	131		25.01	24.79	24.38	24.12	23.81	24.13	27.60	27.34	27.27		
50	64	32		24.90	24.90	24.70	24.14	23.97	24.06	27.55	27.47	27.40		
Limit	Power < 2W			Result									Pass	

NR n41 Maximum Average Power [dBm], DG = 3.76 dBi														
BW (MHz)	RB Size	RB Offset	Mod	Antenna 0			Antenna 5			Combine			EIRP (dBm)	EIRP (W)
				Lowest	Middle	Highest	Lowest	Middle	Highest	Lowest	Middle	Highest		
60	1	1	BPSK	25.87	25.88	25.74	25.06	25.04	24.98	28.49	28.49	28.39	32.38	1.7298
60	1	160		25.95	25.87	25.65	25.09	25.04	25.22	28.55	28.49	28.45		
60	81	40		25.75	25.90	25.69	24.88	25.02	25.04	28.35	28.49	28.39		
60	1	1	QPSK	25.89	26.06	25.82	25.05	25.11	25.05	28.50	28.62	28.46		
60	1	160		25.96	25.99	25.75	25.16	25.11	25.25	28.59	28.58	28.52		
60	81	40		25.74	25.94	25.64	24.84	24.98	25.02	28.32	28.50	28.35		
60	1	1	16-QAM	24.96	24.94	24.82	24.04	24.01	23.97	27.53	27.51	27.43	31.31	1.3521
60	1	160		24.98	24.85	24.70	24.04	24.01	24.15	27.55	27.46	27.44		
60	81	40		24.75	24.90	24.58	23.88	23.96	24.09	27.35	27.47	27.35		
Limit	Power < 2W			Result									Pass	



NR n41 Maximum Average Power [dBm], DG = 3.76 dBi														
BW (MHz)	RB Size	RB Offset	Mod	Antenna 0			Antenna 5			Combine			EIRP (dBm)	EIRP (W)
				Lowest	Middle	Highest	Lowest	Middle	Highest	Lowest	Middle	Highest		
70	1	1	BPSK	25.97	26.02	25.70	25.16	25.08	24.89	28.59	28.59	28.32	32.46	1.7620
70	1	187		26.00	25.83	25.73	25.20	25.11	25.19	28.63	28.50	28.48		
70	90	45		25.84	25.86	25.53	24.99	24.99	24.80	28.45	28.46	28.19		
70	1	1	QPSK	26.07	26.00	25.82	25.27	25.10	24.96	28.70	28.58	28.42		
70	1	187		26.06	25.91	25.79	25.27	25.10	25.22	28.69	28.53	28.52		
70	90	45		25.85	25.91	25.58	25.02	24.99	24.80	28.47	28.48	28.22		
70	1	1	16-QAM	24.95	24.86	24.69	24.07	24.05	23.72	27.54	27.48	27.24	31.41	1.3836
70	1	187		24.88	24.59	24.95	23.95	24.05	24.31	27.45	27.34	27.65		
70	90	45		24.84	24.88	24.52	23.98	24.00	23.80	27.44	27.47	27.19		
Limit	Power < 2W			Result									Pass	

NR n41 Maximum Average Power [dBm], DG = 3.76 dBi														
BW (MHz)	RB Size	RB Offset	Mod	Antenna 0			Antenna 5			Combine			EIRP (dBm)	EIRP (W)
				Lowest	Middle	Highest	Lowest	Middle	Highest	Lowest	Middle	Highest		
80	1	1	BPSK	25.94	26.00	25.92	25.11	25.13	24.94	28.56	28.60	28.47	32.48	1.7701
80	1	215		26.05	25.94	25.77	25.18	25.15	25.24	28.65	28.57	28.52		
80	108	54		25.78	25.90	25.68	24.95	25.02	24.83	28.40	28.49	28.29		
80	1	1	QPSK	25.43	26.02	25.98	24.62	25.11	25.03	28.05	28.60	28.54		
80	1	215		26.10	25.93	25.84	25.28	25.19	25.34	28.72	28.59	28.61		
80	108	54		24.93	25.92	25.71	24.05	24.99	24.85	27.52	28.49	28.31		
80	1	1	16-QAM	25.00	24.84	24.98	24.10	24.15	23.90	27.58	27.52	27.48	31.53	1.4223
80	1	215		25.14	24.88	24.80	24.34	24.22	24.19	27.77	27.57	27.52		
80	108	54		24.77	24.91	24.68	23.96	24.00	23.84	27.39	27.49	27.29		
Limit	Power < 2W			Result									Pass	



NR n41 Maximum Average Power [dBm], DG = 3.76 dBi														
BW	RB	RB	Mod	Antenna 7			Antenna 5			Combine			EIRP	EIRP
(MHz)	Size	Offset		Lowest	Middle	Highest	Lowest	Middle	Highest	Lowest	Middle	Highest	(dBm)	(W)
90	1	1	BPSK	26.03	26.01	26.04	25.20	25.09	25.06	28.65	28.58	28.59	32.48	1.7701
90	1	243		26.05	25.92	25.75	25.13	25.18	25.31	28.62	28.58	28.55		
90	120	60		25.90	25.85	25.83	25.08	25.00	25.00	28.52	28.46	28.45		
90	1	1	QPSK	24.92	26.10	26.10	24.03	25.23	25.02	27.51	28.70	28.60		
90	1	243		26.15	26.04	25.79	25.22	25.29	25.37	28.72	28.69	28.60		
90	120	60		25.92	25.92	25.89	25.11	25.01	25.09	28.54	28.50	28.52		
90	1	1	16-QAM	24.96	24.92	25.27	24.10	24.08	23.96	27.56	27.53	27.67	31.43	1.3900
90	1	243		24.96	24.94	24.87	24.02	24.33	24.33	27.53	27.66	27.62		
90	120	60		24.89	24.90	24.80	24.13	23.99	24.08	27.54	27.48	27.47		
Limit	Power < 2W			Result									Pass	

NR n41 Maximum Average Power [dBm], DG = 3.76 dBi														
BW	RB	RB	Mod	Antenna 0			Antenna 5			Combine			EIRP	EIRP
(MHz)	Size	Offset		Lowest	Middle	Highest	Lowest	Middle	Highest	Lowest	Middle	Highest	(dBm)	(W)
100	1	1	BPSK	26.04	26.07	26.04	25.22	25.10	25.02	28.66	28.62	28.57	32.58	1.8113
100	1	271		26.17	26.01	25.90	25.27	25.18	25.38	28.75	28.63	28.66		
100	135	67		25.83	25.92	25.75	25.00	25.07	25.00	28.45	28.53	28.40		
100	1	1	QPSK	26.11	26.10	26.08	25.29	25.15	25.06	28.73	28.66	28.61		
100	1	271		26.23	25.94	25.98	25.34	25.27	25.45	28.82	28.63	28.73		
100	135	67		25.87	25.96	25.78	25.00	25.09	25.03	28.47	28.56	28.43		
100	1	1	16-QAM	24.86	25.07	25.20	24.32	24.13	24.01	27.61	27.64	27.66	31.48	1.4060
100	1	271		24.95	24.96	25.03	24.27	24.22	24.36	27.63	27.62	27.72		
100	135	67		24.82	24.94	24.76	23.96	24.02	24.01	27.42	27.51	27.41		
Limit	Power < 2W			Result									Pass	



Part270 NR n77 Maximum Average Power [dBm], DG = -1.3 dBi														
BW	RB	RB	Mod	Antenna 7			Antenna 5			Combine			EIRP	EIRP
(MHz)	Size	Offset		Lowest	Middle	Highest	Lowest	Middle	Highest	Lowest	Middle	Highest	(dBm)	(W)
10	1	1	BPSK	25.41	25.56	25.12	25.52	25.29	25.19	28.48	28.44	28.17	27.31	0.5383
10	1	22		25.53	25.57	25.13	25.57	25.29	25.17	28.56	28.44	28.16		
10	12	6		25.46	25.59	25.15	25.55	25.25	25.22	28.52	28.43	28.20		
10	1	1	QPSK	25.44	25.62	25.13	25.55	25.28	25.17	28.51	28.46	28.16		
10	1	22		25.57	25.61	25.18	25.62	25.24	25.18	28.61	28.44	28.19		
10	12	6		25.50	25.57	25.17	25.55	25.25	25.19	28.54	28.42	28.19		
10	1	1	16-QAM	24.26	24.53	24.20	24.49	24.11	24.15	27.39	27.34	27.19	26.23	0.4198
10	1	22		24.32	24.59	24.20	24.50	24.19	24.12	27.42	27.40	27.17		
10	12	6		24.50	24.55	24.16	24.53	24.29	24.18	27.53	27.43	27.18		
Limit	EIRP < 1W			Result									Pass	

Part270 NR n77 Maximum Average Power [dBm], DG = -1.3 dBi														
BW	RB	RB	Mod	Antenna 7			Antenna 5			Combine			EIRP	EIRP
(MHz)	Size	Offset		Lowest	Middle	Highest	Lowest	Middle	Highest	Lowest	Middle	Highest	(dBm)	(W)
15	1	1	BPSK	25.43	25.55	25.21	25.51	25.26	25.29	28.48	28.42	28.26	27.27	0.5333
15	1	36		25.55	25.61	25.12	25.52	25.29	25.29	28.55	28.46	28.22		
15	18	9		25.55	25.58	25.22	25.56	25.29	25.34	28.57	28.45	28.29		
15	1	1	QPSK	25.50	25.56	25.21	25.51	25.29	25.38	28.52	28.44	28.31		
15	1	36		25.56	25.64	25.12	25.52	25.37	25.32	28.55	28.52	28.23		
15	18	9		25.55	25.58	25.22	25.56	25.28	25.34	28.57	28.44	28.29		
15	1	1	16-QAM	24.23	24.62	24.05	24.34	24.21	24.15	27.30	27.43	27.11	26.28	0.4246
15	1	36		24.40	24.69	23.98	24.42	24.23	24.10	27.42	27.48	27.05		
15	18	9		24.58	24.64	24.28	24.55	24.25	24.32	27.58	27.46	27.31		
Limit	EIRP < 1W			Result									Pass	



Part270 NR n77 Maximum Average Power [dBm], DG = -1.3 dBi														
BW	RB	RB	Mod	Antenna 7			Antenna 5			Combine			EIRP	EIRP
(MHz)	Size	Offset		Lowest	Middle	Highest	Lowest	Middle	Highest	Lowest	Middle	Highest	(dBm)	(W)
20	1	1	BPSK	25.46	25.56	25.15	25.55	25.27	25.21	28.52	28.43	28.19	27.31	0.5383
20	1	49		25.50	25.64	25.15	25.48	25.33	25.26	28.50	28.50	28.22		
20	25	12		25.57	25.59	25.22	25.63	25.28	25.32	28.61	28.45	28.28		
20	1	1	QPSK	25.52	25.64	25.21	25.59	25.31	25.25	28.57	28.49	28.24		
20	1	49		25.57	25.70	25.14	25.48	25.36	25.27	28.54	28.54	28.22		
20	25	12		25.58	25.62	25.21	25.59	25.27	25.31	28.60	28.46	28.27		
20	1	1	16-QAM	24.56	24.24	23.92	24.49	24.16	24.22	27.54	27.21	27.08	26.29	0.4256
20	1	49		24.60	24.27	23.94	24.42	24.24	24.23	27.52	27.27	27.10		
20	25	12		24.58	24.62	24.22	24.58	24.30	24.37	27.59	27.47	27.31		
Limit	EIRP < 1W			Result									Pass	

Part270 NR n77 Maximum Average Power [dBm], DG = -1.3 dBi														
BW	RB	RB	Mod	Antenna 7			Antenna 5			Combine			EIRP	EIRP
(MHz)	Size	Offset		Lowest	Middle	Highest	Lowest	Middle	Highest	Lowest	Middle	Highest	(dBm)	(W)
25	1	1	BPSK	25.50	25.57	25.23	25.61	25.28	25.14	28.57	28.44	28.20	27.33	0.5408
25	1	63		25.51	25.65	25.19	25.39	25.35	25.27	28.46	28.51	28.24		
25	32	16		25.63	25.58	25.22	25.61	25.31	25.27	28.63	28.46	28.26		
25	1	1	QPSK	25.58	25.61	25.26	25.62	25.32	25.17	28.61	28.48	28.23		
25	1	63		25.60	25.70	25.24	25.47	25.45	25.32	28.55	28.59	28.29		
25	32	16		25.60	25.62	25.23	25.60	25.31	25.30	28.61	28.48	28.28		
25	1	1	16-QAM	24.37	24.44	24.10	24.53	24.13	24.06	27.46	27.30	27.09	26.35	0.4315
25	1	63		24.42	24.52	24.09	24.37	24.20	24.16	27.41	27.37	27.14		
25	32	16		24.62	24.58	24.21	24.65	24.28	24.27	27.65	27.44	27.25		
Limit	EIRP < 1W			Result									Pass	



Part270 NR n77 Maximum Average Power [dBm], DG = -1.3 dBi														
BW	RB	RB	Mod	Antenna 7			Antenna 5			Combine			EIRP	EIRP
(MHz)	Size	Offset		Lowest	Middle	Highest	Lowest	Middle	Highest	Lowest	Middle	Highest	(dBm)	(W)
30	1	1	BPSK	25.41	25.61	25.35	25.44	25.29	25.19	28.44	28.46	28.28	27.3	0.5370
30	1	76		25.58	25.68	25.10	25.36	25.41	25.29	28.48	28.56	28.21		
30	36	18		25.56	25.63	25.23	25.45	25.32	25.44	28.52	28.49	28.35		
30	1	1	QPSK	25.50	25.64	25.43	25.48	25.28	25.23	28.50	28.47	28.34		
30	1	76		25.67	25.77	25.14	25.34	25.41	25.27	28.52	28.60	28.22		
30	36	18		25.59	25.62	25.26	25.48	25.29	25.39	28.55	28.47	28.34		
30	1	1	16-QAM	24.31	24.61	24.11	24.32	24.24	24.14	27.33	27.44	27.14	26.25	0.4217
30	1	76		24.51	24.67	23.87	24.27	24.36	24.19	27.40	27.53	27.04		
30	36	18		24.58	24.62	24.23	24.50	24.31	24.39	27.55	27.48	27.32		
Limit	EIRP < 1W			Result									Pass	

Part270 NR n77 Maximum Average Power [dBm], DG = -1.3 dBi														
BW	RB	RB	Mod	Antenna 7			Antenna 5			Combine			EIRP	EIRP
(MHz)	Size	Offset		Lowest	Middle	Highest	Lowest	Middle	Highest	Lowest	Middle	Highest	(dBm)	(W)
40	1	1	BPSK	25.48	25.54	25.18	25.58	25.29	24.96	28.54	28.43	28.08	27.3	0.5370
40	1	104		25.61	25.65	25.21	25.33	25.47	25.25	28.48	28.57	28.24		
40	50	25		25.63	25.58	25.25	25.46	25.23	25.29	28.56	28.42	28.28		
40	1	1	QPSK	25.53	25.69	25.27	25.64	25.26	24.99	28.60	28.49	28.14		
40	1	104		25.58	25.72	25.17	25.46	25.46	25.29	28.53	28.60	28.24		
40	50	25		25.58	25.59	25.17	25.50	25.31	25.30	28.55	28.46	28.25		
40	1	1	16-QAM	24.66	24.39	23.94	24.64	24.22	23.87	27.66	27.32	26.92	26.36	0.4325
40	1	104		24.50	24.38	24.02	24.25	24.35	24.31	27.39	27.38	27.18		
40	50	25		24.61	24.64	24.23	24.47	24.32	24.26	27.55	27.49	27.26		
Limit	EIRP < 1W			Result									Pass	



Part270 NR n77 Maximum Average Power [dBm], DG = -1.3 dBi														
BW	RB	RB	Mod	Antenna 7			Antenna 5			Combine			EIRP	EIRP
(MHz)	Size	Offset		Lowest	Middle	Highest	Lowest	Middle	Highest	Lowest	Middle	Highest	(dBm)	(W)
50	1	1	BPSK	25.38	25.61	25.30	25.44	25.26	25.12	28.42	28.45	28.22	27.34	0.5420
50	1	131		25.67	25.61	25.18	25.44	25.55	25.22	28.57	28.59	28.21		
50	64	32		25.52	25.64	25.33	25.33	25.27	25.27	28.44	28.47	28.31		
50	1	1	QPSK	25.41	25.62	25.30	25.47	25.30	25.22	28.45	28.47	28.27		
50	1	131		25.72	25.73	25.20	25.42	25.52	25.29	28.58	28.64	28.26		
50	64	32		25.51	25.62	25.30	25.39	25.27	25.23	28.46	28.46	28.28		
50	1	1	16-QAM	24.34	24.80	24.26	24.26	24.19	24.24	27.31	27.52	27.26	26.32	0.4285
50	1	131		24.66	24.83	24.11	24.26	24.37	24.29	27.47	27.62	27.21		
50	64	32		24.53	24.63	24.29	24.33	24.21	24.33	27.44	27.44	27.32		
Limit	EIRP < 1W			Result									Pass	

Part270 NR n77 Maximum Average Power [dBm], DG = -1.3 dBi														
BW	RB	RB	Mod	Antenna 1			Antenna 2			Combine			EIRP	EIRP
(MHz)	Size	Offset		Lowest	Middle	Highest	Lowest	Middle	Highest	Lowest	Middle	Highest	(dBm)	(W)
60	1	1	BPSK	25.55	25.66	25.32	25.56	25.27	25.19	28.57	28.48	28.27	27.36	0.5445
60	1	160		25.57	25.66	25.37	25.50	25.54	25.36	28.55	28.61	28.38		
60	81	40		25.61	25.67	25.34	25.39	25.29	25.18	28.51	28.49	28.27		
60	1	1	QPSK	25.53	25.70	25.39	25.56	25.38	25.27	28.56	28.55	28.34		
60	1	160		25.55	25.72	25.44	25.61	25.57	25.37	28.59	28.66	28.42		
60	81	40		25.62	25.66	25.30	25.36	25.27	25.12	28.50	28.48	28.22		
60	1	1	16-QAM	24.26	24.45	24.25	24.40	24.03	23.93	27.34	27.26	27.10	26.41	0.4375
60	1	160		24.35	24.75	24.50	24.43	24.65	24.38	27.40	27.71	27.45		
60	81	40		24.61	24.63	24.36	24.44	24.30	24.22	27.54	27.48	27.30		
Limit	EIRP < 1W			Result									Pass	



Part270 NR n77 Maximum Average Power [dBm], DG = -1.3 dBi														
BW	RB	RB	Mod	Antenna 7			Antenna 5			Combine			EIRP	EIRP
(MHz)	Size	Offset		Lowest	Middle	Highest	Lowest	Middle	Highest	Lowest	Middle	Highest	(dBm)	(W)
70	1	1	BPSK	25.43	25.65	25.46	25.45	25.30	25.24	28.45	28.49	28.36	27.38	0.5470
70	1	187		25.68	25.67	25.45	25.60	25.56	25.43	28.65	28.63	28.45		
70	90	45		25.54	25.63	25.25	25.29	25.34	25.02	28.43	28.50	28.15		
70	1	1	QPSK	25.41	25.66	25.52	25.48	25.37	25.24	28.46	28.53	28.39		
70	1	187		25.73	25.63	25.52	25.61	25.60	25.42	28.68	28.63	28.48		
70	90	45		25.52	25.64	25.27	25.29	25.30	25.00	28.42	28.48	28.15		
70	1	1	16-QAM	24.36	24.63	24.46	24.33	24.20	24.21	27.36	27.43	27.35	26.54	0.4508
70	1	187		24.91	24.70	24.38	24.75	24.11	24.27	27.84	27.43	27.34		
70	90	45		24.49	24.57	24.19	24.30	24.32	24.05	27.41	27.46	27.13		
Limit	EIRP < 1W			Result									Pass	

Part270 NR n77 Maximum Average Power [dBm], DG = -1.3 dBi														
BW	RB	RB	Mod	Antenna 7			Antenna 5			Combine			EIRP	EIRP
(MHz)	Size	Offset		Lowest	Middle	Highest	Lowest	Middle	Highest	Lowest	Middle	Highest	(dBm)	(W)
80	1	1	BPSK	25.46	25.65	25.59	25.14	25.17	25.06	28.31	28.43	28.34	27.26	0.5321
80	1	215		25.58	25.63	25.40	24.97	25.28	25.21	28.30	28.47	28.32		
80	108	54		25.64	25.66	25.38	25.30	25.12	24.90	28.48	28.41	28.16		
80	1	1	QPSK	25.61	25.66	25.68	25.48	25.16	25.04	28.56	28.43	28.38		
80	1	215		25.71	25.71	25.46	25.36	25.24	25.19	28.55	28.49	28.34		
80	108	54		25.58	25.63	25.37	25.21	25.14	24.91	28.41	28.40	28.16		
80	1	1	16-QAM	24.35	24.57	24.49	24.31	24.45	23.93	27.34	27.52	27.23	26.43	0.4395
80	1	215		24.81	24.60	24.38	24.62	24.51	24.19	27.73	27.57	27.30		
80	108	54		24.55	24.70	24.38	24.23	24.10	23.90	27.40	27.42	27.16		
Limit	EIRP < 1W			Result									Pass	





Part270 NR n77 Maximum Average Power [dBm], DG = -1.3 dBi														
BW	RB	RB	Mod	Antenna 7			Antenna 5			Combine			EIRP	EIRP
(MHz)	Size	Offset		Lowest	Middle	Highest	Lowest	Middle	Highest	Lowest	Middle	Highest	(dBm)	(W)
90	1	1	BPSK	25.53	25.74	25.67	25.32	25.18	25.25	28.44	28.48	28.48	27.41	0.5508
90	1	243		25.91	25.67	25.29	25.44	25.27	25.18	28.69	28.48	28.25		
90	120	60		25.60	25.68	25.39	25.16	25.13	25.04	28.40	28.42	28.23		
90	1	1	QPSK	25.63	25.70	25.79	25.34	25.19	25.26	28.50	28.46	28.54		
90	1	243		25.90	25.69	25.38	25.49	25.27	25.26	28.71	28.50	28.33		
90	120	60		25.68	25.67	25.38	25.14	25.14	25.03	28.43	28.42	28.22		
90	1	1	16-QAM	24.35	24.81	24.68	24.14	24.24	24.35	27.26	27.54	27.53	26.34	0.4305
90	1	243		24.80	24.84	24.17	24.46	24.15	24.15	27.64	27.52	27.17		
90	120	60		24.62	24.67	24.39	24.16	24.12	24.00	27.41	27.41	27.21		
Limit	EIRP < 1W			Result									Pass	

Part270 NR n77 Maximum Average Power [dBm], DG = -1.3 dBi														
BW	RB	RB	Mod	Antenna 7			Antenna 5			Combine			EIRP	EIRP
(MHz)	Size	Offset		Lowest	Middle	Highest	Lowest	Middle	Highest	Lowest	Middle	Highest	(dBm)	(W)
100	1	1	BPSK	25.63	25.73	25.67	25.47	25.26	25.22	28.56	28.51	28.46	27.31	0.5383
100	1	271		25.77	25.70	25.48	25.43	25.30	25.33	28.61	28.51	28.42		
100	135	67		25.73	25.68	25.36	25.24	25.11	25.02	28.50	28.41	28.20		
100	1	1	QPSK	25.65	25.79	25.71	25.49	25.28	25.23	28.58	28.55	28.49		
100	1	271		25.73	25.75	25.55	25.44	25.41	25.33	28.60	28.59	28.45		
100	135	67		25.70	25.67	25.38	25.23	25.14	25.04	28.48	28.42	28.22		
100	1	1	16-QAM	24.76	24.89	24.49	24.38	24.31	24.19	27.58	27.62	27.35	26.41	0.4375
100	1	271		24.97	24.90	24.28	24.41	24.41	24.21	27.71	27.67	27.26		
100	135	67		24.68	24.64	24.37	24.19	24.12	24.04	27.45	27.40	27.22		
Limit	EIRP < 1W			Result									Pass	



Part27Q NR n77 Maximum Average Power [dBm], DG = -1.3 dBi														
BW	RB	RB	Mod	Antenna 7			Antenna 5			Combine			EIRP	EIRP
(MHz)	Size	Offset		Lowest	Middle	Highest	Lowest	Middle	Highest	Lowest	Middle	Highest	(dBm)	(W)
10	1	1	BPSK	25.53	25.58	25.63	25.48	25.40	25.36	28.52	28.50	28.51	27.3	0.5370
10	1	22		25.48	25.51	25.62	25.46	25.38	25.43	28.48	28.46	28.54		
10	12	6		25.58	25.54	25.67	25.47	25.33	25.42	28.54	28.45	28.56		
10	1	1	QPSK	25.60	25.58	25.67	25.56	25.41	25.38	28.59	28.51	28.54		
10	1	22		25.52	25.53	25.67	25.52	25.39	25.51	28.53	28.47	28.60		
10	12	6		25.52	25.50	25.65	25.50	25.34	25.43	28.52	28.43	28.55		
10	1	1	16-QAM	24.43	24.47	24.52	24.49	24.43	24.28	27.47	27.46	27.41	26.27	0.4236
10	1	22		24.28	24.43	24.49	24.36	24.36	24.38	27.33	27.41	27.45		
10	12	6		24.53	24.53	24.73	24.49	24.39	24.38	27.52	27.47	27.57		
Limit	EIRP < 1W			Result									Pass	

Part27Q NR n77 Maximum Average Power [dBm], DG = -1.3 dBi														
BW	RB	RB	Mod	Antenna 7			Antenna 5			Combine			EIRP	EIRP
(MHz)	Size	Offset		Lowest	Middle	Highest	Lowest	Middle	Highest	Lowest	Middle	Highest	(dBm)	(W)
15	1	1	BPSK	25.60	25.57	25.56	25.54	25.40	25.23	28.58	28.50	28.41	27.3	0.5370
15	1	36		25.46	25.51	25.60	25.48	25.34	25.43	28.48	28.44	28.53		
15	18	9		25.48	25.51	25.59	25.54	25.35	25.37	28.52	28.44	28.49		
15	1	1	QPSK	25.61	25.57	25.57	25.57	25.42	25.29	28.60	28.51	28.44		
15	1	36		25.47	25.57	25.62	25.51	25.35	25.46	28.50	28.47	28.55		
15	18	9		25.52	25.54	25.61	25.51	25.33	25.30	28.53	28.45	28.47		
15	1	1	16-QAM	24.59	24.53	24.63	24.48	24.43	24.02	27.55	27.49	27.35	26.26	0.4227
15	1	36		24.42	24.46	24.65	24.40	24.39	24.19	27.42	27.44	27.44		
15	18	9		24.52	24.52	24.59	24.57	24.32	24.30	27.56	27.43	27.46		
Limit	EIRP < 1W			Result									Pass	



Part27Q NR n77 Maximum Average Power [dBm], DG = -1.3 dBi														
BW	RB	RB	Mod	Antenna 7			Antenna 5			Combine			EIRP	EIRP
(MHz)	Size	Offset		Lowest	Middle	Highest	Lowest	Middle	Highest	Lowest	Middle	Highest	(dBm)	(W)
20	1	1	BPSK	25.64	25.60	25.48	25.57	25.46	25.05	28.62	28.54	28.28	27.32	0.5395
20	1	49		25.52	25.49	25.56	25.49	25.35	25.32	28.52	28.43	28.45		
20	25	12		25.53	25.51	25.58	25.57	25.36	25.17	28.56	28.45	28.39		
20	1	1	QPSK	25.59	25.63	25.51	25.60	25.41	25.13	28.61	28.53	28.33		
20	1	49		25.48	25.56	25.55	25.53	25.31	25.36	28.52	28.45	28.47		
20	25	12		25.53	25.51	25.54	25.56	25.30	25.18	28.56	28.42	28.37		
20	1	1	16-QAM	24.55	24.66	24.42	24.44	24.29	24.15	27.51	27.49	27.30	26.23	0.4198
20	1	49		24.33	24.54	24.40	24.35	24.18	24.28	27.35	27.37	27.35		
20	25	12		24.51	24.53	24.52	24.52	24.30	24.17	27.53	27.43	27.36		
Limit	EIRP < 1W			Result									Pass	

Part27Q NR n77 Maximum Average Power [dBm], DG = -1.3 dBi														
BW	RB	RB	Mod	Antenna 7			Antenna 5			Combine			EIRP	EIRP
(MHz)	Size	Offset		Lowest	Middle	Highest	Lowest	Middle	Highest	Lowest	Middle	Highest	(dBm)	(W)
25	1	1	BPSK	25.68	25.59	25.42	25.62	25.43	25.02	28.66	28.52	28.23	27.37	0.5458
25	1	63		25.52	25.50	25.50	25.48	25.25	25.29	28.51	28.39	28.41		
25	32	16		25.55	25.52	25.51	25.61	25.33	25.11	28.59	28.44	28.32		
25	1	1	QPSK	25.68	25.66	25.43	25.63	25.47	25.05	28.67	28.58	28.25		
25	1	63		25.57	25.52	25.62	25.52	25.34	25.33	28.56	28.44	28.49		
25	32	16		25.56	25.55	25.49	25.57	25.30	25.12	28.58	28.44	28.32		
25	1	1	16-QAM	24.58	24.48	24.23	24.38	24.28	23.98	27.49	27.39	27.12	26.24	0.4207
25	1	63		24.52	24.44	24.35	24.36	24.18	24.20	27.45	27.32	27.29		
25	32	16		24.51	24.53	24.51	24.55	24.30	24.10	27.54	27.43	27.32		
Limit	EIRP < 1W			Result									Pass	



Part27Q NR n77 Maximum Average Power [dBm], DG = -1.3 dBi														
BW	RB	RB	Mod	Antenna 7			Antenna 5			Combine			EIRP	EIRP
(MHz)	Size	Offset		Lowest	Middle	Highest	Lowest	Middle	Highest	Lowest	Middle	Highest	(dBm)	(W)
30	1	1	BPSK	25.51	25.61	25.56	25.41	25.37	25.22	28.47	28.50	28.40	27.26	0.5321
30	1	76		25.51	25.48	25.63	25.33	25.28	25.43	28.43	28.39	28.54		
30	36	18		25.41	25.57	25.63	25.42	25.34	25.25	28.43	28.47	28.45		
30	1	1	QPSK	25.56	25.65	25.54	25.48	25.41	25.28	28.53	28.54	28.42		
30	1	76		25.51	25.51	25.65	25.35	25.33	25.45	28.44	28.43	28.56		
30	36	18		25.44	25.53	25.62	25.39	25.36	25.28	28.43	28.46	28.46		
30	1	1	16-QAM	24.30	24.53	24.35	24.27	24.33	24.19	27.30	27.44	27.28	26.18	0.4150
30	1	76		24.33	24.36	24.40	24.19	24.22	24.34	27.27	27.30	27.38		
30	36	18		24.44	24.57	24.64	24.37	24.30	24.29	27.42	27.45	27.48		
Limit	EIRP < 1W			Result									Pass	

Part27Q NR n77 Maximum Average Power [dBm], DG = -1.3 dBi														
BW	RB	RB	Mod	Antenna 7			Antenna 5			Combine			EIRP	EIRP
(MHz)	Size	Offset		Lowest	Middle	Highest	Lowest	Middle	Highest	Lowest	Middle	Highest	(dBm)	(W)
40	1	1	BPSK	25.66	25.52	25.59	25.50	25.36	25.26	28.59	28.45	28.44	27.34	0.5420
40	1	104		25.63	25.40	25.53	25.50	25.29	25.38	28.58	28.36	28.47		
40	50	25		25.47	25.51	25.52	25.49	25.33	25.17	28.49	28.43	28.36		
40	1	1	QPSK	25.69	25.64	25.57	25.54	25.38	25.22	28.63	28.52	28.41		
40	1	104		25.71	25.48	25.63	25.54	25.26	25.39	28.64	28.38	28.52		
40	50	25		25.58	25.52	25.54	25.49	25.34	25.15	28.55	28.44	28.36		
40	1	1	16-QAM	24.66	24.24	24.52	24.26	24.29	24.23	27.47	27.28	27.39	26.25	0.4217
40	1	104		24.71	24.24	24.64	24.36	24.21	24.37	27.55	27.24	27.52		
40	50	25		24.46	24.52	24.50	24.50	24.31	24.14	27.49	27.43	27.33		
Limit	EIRP < 1W			Result									Pass	



Part27Q NR n77 Maximum Average Power [dBm], DG = -1.3 dBi														
BW	RB	RB	Mod	Antenna 7			Antenna 5			Combine			EIRP	EIRP
(MHz)	Size	Offset		Lowest	Middle	Highest	Lowest	Middle	Highest	Lowest	Middle	Highest	(dBm)	(W)
50	1	1	BPSK	25.57	25.59	25.45	25.52	25.36	25.18	28.56	28.49	28.33	27.26	0.5321
50	1	131		25.54	25.57	25.59	25.30	25.15	25.30	28.43	28.38	28.46		
50	64	32		25.41	25.59	25.35	25.33	25.31	25.10	28.38	28.46	28.24		
50	1	1	QPSK	25.59	25.61	25.50	25.45	25.45	25.28	28.53	28.54	28.40		
50	1	131		25.61	25.55	25.62	25.36	25.26	25.35	28.50	28.42	28.50		
50	64	32		25.46	25.55	25.36	25.35	25.35	25.09	28.42	28.46	28.24		
50	1	1	16-QAM	24.37	24.56	24.61	24.23	24.48	24.20	27.31	27.53	27.42	26.23	0.4198
50	1	131		24.43	24.28	24.57	24.19	24.18	24.20	27.32	27.24	27.40		
50	64	32		24.54	24.52	24.38	24.28	24.29	24.04	27.42	27.42	27.22		
Limit	EIRP < 1W			Result									Pass	

Part27Q NR n77 Maximum Average Power [dBm], DG = -1.3 dBi														
BW	RB	RB	Mod	Antenna 7			Antenna 5			Combine			EIRP	EIRP
(MHz)	Size	Offset		Lowest	Middle	Highest	Lowest	Middle	Highest	Lowest	Middle	Highest	(dBm)	(W)
60	1	1	BPSK	25.73	25.69	25.81	25.57	25.73	25.69	28.66	28.72	28.76	27.55	0.5689
60	1	160		25.61	25.69	25.78	25.41	25.50	25.67	28.52	28.61	28.74		
60	81	40		25.62	25.72	25.62	25.47	25.57	25.51	28.56	28.66	28.58		
60	1	1	QPSK	25.83	25.69	25.92	25.84	25.69	25.74	28.85	28.70	28.84		
60	1	160		25.80	25.69	25.78	25.74	25.50	25.67	28.78	28.61	28.74		
60	81	40		25.73	25.61	25.65	25.68	25.56	25.48	28.72	28.60	28.58		
60	1	1	16-QAM	24.76	24.59	24.86	24.60	24.67	24.66	27.69	27.64	27.77	26.47	0.4436
60	1	160		24.74	24.59	24.77	24.56	24.36	24.57	27.66	27.49	27.68		
60	81	40		24.72	24.69	24.61	24.72	24.60	24.46	27.73	27.66	27.55		
Limit	EIRP < 1W			Result									Pass	



Part27Q NR n77 Maximum Average Power [dBm], DG = -1.3 dBi														
BW	RB	RB	Mod	Antenna 7			Antenna 5			Combine			EIRP	EIRP
(MHz)	Size	Offset		Lowest	Middle	Highest	Lowest	Middle	Highest	Lowest	Middle	Highest	(dBm)	(W)
70	1	1	BPSK	25.77	25.55	25.23	25.75	25.54	25.60	28.77	28.56	28.43	27.47	0.5585
70	1	187		25.65	25.60	25.68	25.52	25.32	25.56	28.60	28.47	28.63		
70	90	45		25.67	25.61	25.74	25.54	25.36	25.51	28.62	28.50	28.64		
70	1	1	QPSK	25.25	25.65	25.27	25.76	25.54	25.64	28.52	28.61	28.47		
70	1	187		24.60	25.68	25.67	25.58	25.40	25.57	28.13	28.55	28.63		
70	90	45		25.12	25.62	25.15	25.52	25.36	25.52	28.33	28.50	28.35		
70	1	1	16-QAM	24.64	24.78	24.77	24.61	24.66	24.51	27.64	27.73	27.65	26.43	0.4395
70	1	187		24.53	24.88	24.64	24.59	24.44	24.44	27.57	27.68	27.55		
70	90	45		24.65	24.62	24.76	24.54	24.37	24.51	27.61	27.51	27.65		
Limit	EIRP < 1W			Result									Pass	

Part27Q NR n77 Maximum Average Power [dBm], DG = -1.3 dBi														
BW	RB	RB	Mod	Antenna 7			Antenna 5			Combine			EIRP	EIRP
(MHz)	Size	Offset		Lowest	Middle	Highest	Lowest	Middle	Highest	Lowest	Middle	Highest	(dBm)	(W)
80	1	1	BPSK	25.82	25.64	25.62	25.65	25.60	25.56	28.75	28.63	28.60	27.5	0.5623
80	1	215		25.69	25.69	25.73	25.33	25.40	25.60	28.52	28.56	28.68		
80	108	54		25.73	25.64	25.66	25.53	25.35	25.41	28.64	28.51	28.55		
80	1	1	QPSK	25.85	25.69	25.70	25.72	25.67	25.61	28.80	28.69	28.67		
80	1	215		25.68	25.72	25.79	25.39	25.47	25.56	28.55	28.61	28.69		
80	108	54		25.16	25.58	25.68	25.54	25.36	25.40	28.36	28.48	28.55		
80	1	1	16-QAM	24.86	24.17	24.05	24.67	24.73	24.41	27.78	27.47	27.24	26.48	0.4446
80	1	215		24.74	23.37	24.59	24.36	24.17	24.44	27.56	26.80	27.53		
80	108	54		24.72	24.61	24.68	24.51	24.31	24.39	27.63	27.47	27.55		
Limit	EIRP < 1W			Result									Pass	



Part27Q NR n77 Maximum Average Power [dBm], DG = -1.3 dBi														
BW	RB	RB	Mod	Antenna 7			Antenna 5			Combine			EIRP	EIRP
(MHz)	Size	Offset		Lowest	Middle	Highest	Lowest	Middle	Highest	Lowest	Middle	Highest	(dBm)	(W)
90	1	1	BPSK	25.80	25.71	25.75	25.62	25.60	25.71	28.72	28.67	28.74	27.49	0.5610
90	1	243		25.82	25.74	25.71	25.41	25.44	25.49	28.63	28.60	28.61		
90	120	60		25.64	25.60	25.73	25.32	25.34	25.44	28.49	28.48	28.60		
90	1	1	QPSK	25.80	25.76	25.81	25.61	25.63	25.74	28.72	28.71	28.79		
90	1	243		25.81	25.75	25.74	25.45	25.49	25.56	28.64	28.63	28.66		
90	120	60		24.51	25.62	25.74	25.27	25.32	25.46	27.92	28.48	28.61		
90	1	1	16-QAM	25.11	24.44	24.54	24.62	24.47	24.77	27.88	27.47	27.67	26.58	0.4550
90	1	243		25.02	24.73	24.61	24.22	24.59	24.67	27.65	27.67	27.65		
90	120	60		24.60	24.60	24.74	24.28	24.30	24.45	27.45	27.46	27.61		
Limit	EIRP < 1W			Result									Pass	

Part27Q NR n77 Maximum Average Power [dBm], DG = -1.3 dBi														
BW	RB	RB	Mod	Antenna 7			Antenna 5			Combine			EIRP	EIRP
(MHz)	Size	Offset		Lowest	Middle	Highest	Lowest	Middle	Highest	Lowest	Middle	Highest	(dBm)	(W)
100	1	1	BPSK	-	25.88	-	-	25.70	-	-	28.80	-	27.56	0.5702
100	1	271		-	25.86	-	-	25.64	-	-	28.76	-		
100	135	67		-	25.64	-	-	25.33	-	-	28.50	-		
100	1	1	QPSK	-	25.93	-	-	25.77	-	-	28.86	-		
100	1	271		-	25.87	-	-	25.68	-	-	28.79	-		
100	135	67		-	25.62	-	-	25.31	-	-	28.48	-		
100	1	1	16-QAM	-	24.87	-	-	24.79	-	-	27.84	-	26.54	0.4508
100	1	271		-	24.73	-	-	24.66	-	-	27.71	-		
100	135	67		-	24.65	-	-	24.32	-	-	27.50	-		
Limit	EIRP < 1W			Result									Pass	



NR n41 Maximum Average Power [dBm], DG = -0.22 dBi														
BW (MHz)	RB Size	RB Offset	Mod	Antenna 2			Antenna 5			Combine			EIRP (dBm)	EIRP (W)
				Lowest	Middle	Highest	Lowest	Middle	Highest	Lowest	Middle	Highest		
10	1	1	BPSK	25.86	25.84	25.43	24.88	24.86	24.96	28.41	28.39	28.21	28.24	0.6668
10	1	22		25.80	25.82	25.34	24.85	24.75	24.90	28.36	28.33	28.14		
10	12	6		25.84	25.85	25.38	24.90	24.81	24.88	28.41	28.37	28.15		
10	1	1	QPSK	25.91	25.95	25.49	24.91	24.88	25.08	28.45	28.46	28.30		
10	1	22		25.89	25.85	25.39	24.85	24.85	24.93	28.41	28.39	28.18		
10	12	6		25.87	25.90	25.46	24.94	24.89	24.97	28.44	28.43	28.23		
10	1	1	16-QAM	24.85	25.00	24.50	23.65	23.69	24.02	27.30	27.40	27.28	27.22	0.5272
10	1	22		24.89	25.00	24.56	23.92	23.70	23.98	27.44	27.41	27.29		
10	12	6		24.82	24.90	24.30	23.85	23.91	23.85	27.37	27.44	27.09		
Limit	Power < 2W			Result									Pass	

NR n41 Maximum Average Power [dBm], DG = -0.22 dBi														
BW (MHz)	RB Size	RB Offset	Mod	Antenna 2			Antenna 5			Combine			EIRP (dBm)	EIRP (W)
				Lowest	Middle	Highest	Lowest	Middle	Highest	Lowest	Middle	Highest		
15	1	1	BPSK	25.91	25.86	25.57	24.99	24.90	25.14	28.48	28.42	28.37	28.33	0.6808
15	1	36		25.82	25.86	25.53	24.93	24.77	25.08	28.41	28.36	28.32		
15	18	9		25.93	25.89	25.62	24.97	24.91	25.16	28.49	28.44	28.41		
15	1	1	QPSK	26.02	25.99	25.69	24.99	24.83	25.16	28.55	28.46	28.44		
15	1	36		25.82	25.91	25.60	24.96	24.86	25.19	28.42	28.43	28.41		
15	18	9		25.90	25.89	25.66	25.01	24.91	25.22	28.49	28.44	28.46		
15	1	1	16-QAM	24.75	24.60	24.63	23.85	23.70	24.02	27.33	27.18	27.35	27.22	0.5272
15	1	36		24.81	24.76	24.46	23.93	23.82	23.95	27.40	27.33	27.22		
15	18	9		24.86	24.76	24.60	23.96	23.83	24.11	27.44	27.33	27.37		
Limit	Power < 2W			Result									Pass	





NR n41 Maximum Average Power [dBm], DG = -0.22 dBi														
BW (MHz)	RB Size	RB Offset	Mod	Antenna 2			Antenna 5			Combine			EIRP (dBm)	EIRP (W)
				Lowest	Middle	Highest	Lowest	Middle	Highest	Lowest	Middle	Highest		
20	1	1	BPSK	25.70	25.88	25.60	24.76	24.76	24.96	28.27	28.37	28.30	28.21	0.6622
20	1	49		25.68	25.81	25.50	24.79	24.76	25.07	28.27	28.33	28.30		
20	25	12		25.74	25.87	25.66	24.75	24.84	25.16	28.28	28.40	28.43		
20	1	1	QPSK	25.82	25.88	25.69	24.89	24.85	25.05	28.39	28.41	28.39		
20	1	49		25.69	25.88	25.66	24.85	24.91	25.11	28.30	28.43	28.40		
20	25	12		25.77	25.90	25.62	24.85	24.88	25.16	28.34	28.43	28.41		
20	1	1	16-QAM	24.73	24.82	24.43	23.84	24.09	24.03	27.32	27.48	27.24	27.26	0.5321
20	1	49		24.86	24.87	24.52	23.86	23.99	24.13	27.40	27.46	27.34		
20	25	12		24.69	24.88	24.65	23.81	23.83	24.08	27.28	27.40	27.38		
Limit	Power < 2W			Result									Pass	

NR n41 Maximum Average Power [dBm], DG = -0.22 dBi														
BW (MHz)	RB Size	RB Offset	Mod	Antenna 2			Antenna 5			Combine			EIRP (dBm)	EIRP (W)
				Lowest	Middle	Highest	Lowest	Middle	Highest	Lowest	Middle	Highest		
30	1	1	BPSK	25.85	25.84	25.67	24.96	24.92	25.11	28.44	28.41	28.41	28.28	0.6730
30	1	76		25.72	25.92	25.66	24.78	24.75	25.13	28.29	28.38	28.41		
30	36	18		25.78	25.91	25.71	24.99	24.79	25.25	28.41	28.40	28.50		
30	1	1	QPSK	25.90	25.93	25.82	24.99	24.95	25.07	28.48	28.48	28.47		
30	1	76		25.83	25.95	25.71	24.91	24.74	25.22	28.40	28.40	28.48		
30	36	18		25.86	25.92	25.66	24.94	24.86	25.22	28.43	28.43	28.46		
30	1	1	16-QAM	24.73	24.65	24.58	23.98	23.86	24.00	27.38	27.28	27.31	27.25	0.5309
30	1	76		24.60	24.86	24.60	23.81	23.77	24.13	27.23	27.36	27.38		
30	36	18		24.75	24.88	24.68	23.97	23.82	24.23	27.39	27.39	27.47		
Limit	Power < 2W			Result									Pass	

NR n41 Maximum Average Power [dBm], DG = -0.22 dBi														
BW (MHz)	RB Size	RB Offset	Mod	Antenna 2			Antenna 5			Combine			EIRP (dBm)	EIRP (W)
				Lowest	Middle	Highest	Lowest	Middle	Highest	Lowest	Middle	Highest		
40	1	1	BPSK	25.79	25.92	25.64	24.78	24.96	24.85	28.32	28.48	28.27	28.33	0.6808
40	1	104		25.72	25.91	25.55	24.81	24.82	25.08	28.30	28.41	28.33		
40	50	25		25.70	25.89	25.60	24.79	24.87	25.07	28.28	28.42	28.35		
40	1	1	QPSK	25.80	25.99	25.61	24.84	25.04	24.87	28.36	28.55	28.27		
40	1	104		25.74	25.91	25.57	24.86	24.92	25.10	28.33	28.45	28.35		
40	50	25		25.71	25.96	25.65	24.81	24.90	25.09	28.29	28.47	28.39		
40	1	1	16-QAM	24.81	24.86	24.46	23.74	24.08	23.66	27.32	27.50	27.09	27.28	0.5346
40	1	104		24.80	24.73	24.40	23.80	23.90	23.86	27.34	27.35	27.15		
40	50	25		24.68	24.85	24.63	23.84	23.91	24.01	27.29	27.42	27.34		
Limit	Power < 2W			Result									Pass	



NR n41 Maximum Average Power [dBm], DG = -0.22 dBi														
BW (MHz)	RB Size	RB Offset	Mod	Antenna 2			Antenna 5			Combine			EIRP (dBm)	EIRP (W)
				Lowest	Middle	Highest	Lowest	Middle	Highest	Lowest	Middle	Highest		
50	1	1	BPSK	25.85	25.93	25.87	24.98	24.89	25.05	28.45	28.45	28.49	28.36	0.6855
50	1	131		25.84	25.87	25.57	24.88	24.91	25.16	28.40	28.43	28.38		
50	64	32		25.78	25.90	25.70	24.89	24.90	25.09	28.37	28.44	28.42		
50	1	1	QPSK	26.03	26.04	25.99	25.06	25.00	25.09	28.58	28.56	28.57		
50	1	131		25.97	25.91	25.71	24.97	24.91	25.26	28.51	28.45	28.50		
50	64	32		25.80	25.90	25.74	24.93	24.91	25.16	28.40	28.44	28.47		
50	1	1	16-QAM	24.91	24.71	24.99	24.02	23.80	24.07	27.50	27.29	27.56	27.34	0.5420
50	1	131		24.90	24.87	24.70	23.94	23.91	24.26	27.46	27.43	27.50		
50	64	32		24.81	24.90	24.71	23.92	23.89	24.09	27.40	27.43	27.42		
Limit	Power < 2W			Result									Pass	

NR n41 Maximum Average Power [dBm], DG = -0.22 dBi														
BW (MHz)	RB Size	RB Offset	Mod	Antenna 2			Antenna 5			Combine			EIRP (dBm)	EIRP (W)
				Lowest	Middle	Highest	Lowest	Middle	Highest	Lowest	Middle	Highest		
60	1	1	BPSK	25.80	25.94	25.80	24.88	24.98	24.97	28.37	28.50	28.42	28.32	0.6792
60	1	160		25.90	25.80	25.57	24.85	24.96	25.12	28.42	28.41	28.36		
60	81	40		25.67	25.91	25.61	24.68	24.90	25.00	28.21	28.44	28.33		
60	1	1	QPSK	25.79	25.99	25.83	24.88	25.02	25.05	28.37	28.54	28.47		
60	1	160		25.90	25.88	25.63	24.91	25.04	25.16	28.44	28.49	28.41		
60	81	40		25.69	25.91	25.63	24.67	24.92	24.97	28.22	28.45	28.32		
60	1	1	16-QAM	24.83	25.19	24.37	23.93	23.79	24.04	27.41	27.56	27.22	27.34	0.5420
60	1	160		24.89	25.08	24.17	23.96	23.76	24.24	27.46	27.48	27.22		
60	81	40		24.68	24.92	24.64	23.68	23.92	24.05	27.22	27.46	27.37		
Limit	Power < 2W			Result									Pass	



NR n41 Maximum Average Power [dBm], DG = -0.22 dBi														
BW (MHz)	RB Size	RB Offset	Mod	Antenna 2			Antenna 5			Combine			EIRP (dBm)	EIRP (W)
				Lowest	Middle	Highest	Lowest	Middle	Highest	Lowest	Middle	Highest		
70	1	1	BPSK	25.94	25.98	25.77	25.01	25.03	24.87	28.51	28.54	28.35	28.40	0.6918
70	1	187		25.89	25.82	25.63	24.96	24.94	25.10	28.46	28.41	28.38		
70	90	45		25.81	25.92	25.53	24.73	24.89	24.79	28.31	28.45	28.19		
70	1	1	QPSK	25.95	26.12	25.81	25.00	25.03	24.98	28.51	28.62	28.43		
70	1	187		25.94	26.00	25.72	25.00	24.98	25.15	28.51	28.53	28.45		
70	90	45		25.82	25.97	25.58	24.80	24.92	24.81	28.35	28.49	28.22		
70	1	1	16-QAM	24.89	24.87	24.77	23.91	23.96	23.90	27.44	27.45	27.37	27.34	0.5420
70	1	187		25.01	24.75	24.71	24.03	23.93	24.04	27.56	27.37	27.40		
70	90	45		24.80	24.87	24.52	23.80	23.89	23.75	27.34	27.42	27.16		
Limit	Power < 2W			Result									Pass	

NR n41 Maximum Average Power [dBm], DG = -0.22 dBi														
BW (MHz)	RB Size	RB Offset	Mod	Antenna 2			Antenna 5			Combine			EIRP (dBm)	EIRP (W)
				Lowest	Middle	Highest	Lowest	Middle	Highest	Lowest	Middle	Highest		
80	1	1	BPSK	25.83	25.96	25.92	24.91	25.02	24.89	28.40	28.53	28.45	28.37	0.6871
80	1	215		25.96	25.84	25.66	24.96	25.00	25.13	28.50	28.45	28.41		
80	108	54		25.70	25.91	25.65	24.77	24.89	24.83	28.27	28.44	28.27		
80	1	1	QPSK	25.80	25.99	25.92	24.97	25.12	24.93	28.42	28.59	28.46		
80	1	215		25.99	25.91	25.64	25.06	25.11	25.33	28.56	28.54	28.50		
80	108	54		25.72	25.92	25.69	24.79	24.90	24.85	28.29	28.45	28.30		
80	1	1	16-QAM	25.17	25.02	25.06	23.97	23.99	23.90	27.62	27.55	27.53	27.47	0.5585
80	1	215		25.27	24.89	24.79	24.00	24.06	24.20	27.69	27.51	27.52		
80	108	54		24.69	24.90	24.66	23.74	23.86	23.83	27.25	27.42	27.28		
Limit	Power < 2W			Result									Pass	



NR n41 Maximum Average Power [dBm], DG = -0.22 dBi														
BW (MHz)	RB Size	RB Offset	Mod	Antenna 6			Antenna 5			Combine			EIRP (dBm)	EIRP (W)
				Lowest	Middle	Highest	Lowest	Middle	Highest	Lowest	Middle	Highest		
90	1	1	BPSK	25.95	25.98	26.04	25.05	25.03	25.02	28.53	28.54	28.57	28.38	0.6887
90	1	243		25.96	25.81	25.58	24.93	25.04	25.15	28.49	28.45	28.38		
90	120	60		25.81	25.90	25.78	24.91	24.84	24.98	28.39	28.41	28.41		
90	1	1	QPSK	25.92	26.03	26.03	25.04	25.06	25.10	28.51	28.58	28.60		
90	1	243		25.96	25.92	25.56	24.94	25.03	25.31	28.49	28.51	28.45		
90	120	60		25.85	25.91	25.82	24.96	24.94	25.05	28.44	28.46	28.46		
90	1	1	16-QAM	24.71	24.77	25.01	23.94	23.98	24.18	27.35	27.40	27.63	27.41	0.5508
90	1	243		25.03	24.80	24.43	24.12	24.17	24.28	27.61	27.51	27.37		
90	120	60		24.81	24.85	24.83	23.92	23.86	24.03	27.40	27.39	27.46		
Limit	Power < 2W			Result									Pass	

NR n41 Maximum Average Power [dBm], DG = -0.22 dBi														
BW (MHz)	RB Size	RB Offset	Mod	Antenna 2			Antenna 5			Combine			EIRP (dBm)	EIRP (W)
				Lowest	Middle	Highest	Lowest	Middle	Highest	Lowest	Middle	Highest		
100	1	1	BPSK	25.96	26.00	26.00	25.06	25.02	24.98	28.54	28.55	28.53	28.44	0.6982
100	1	271		26.03	25.85	25.73	25.01	25.03	25.27	28.56	28.47	28.52		
100	135	67		25.69	25.92	25.78	24.75	24.96	24.94	28.26	28.48	28.39		
100	1	1	QPSK	26.04	26.11	26.01	25.12	25.11	24.95	28.61	28.65	28.52		
100	1	271		26.13	25.89	25.76	25.10	25.12	25.31	28.66	28.53	28.55		
100	135	67		25.79	25.89	25.79	24.81	24.93	24.95	28.34	28.45	28.40		
100	1	1	16-QAM	25.25	25.03	25.21	24.01	24.06	24.18	27.68	27.58	27.74	27.52	0.5649
100	1	271		25.22	24.87	24.70	24.00	24.12	24.18	27.66	27.52	27.46		
100	135	67		24.82	24.89	24.69	23.82	23.87	23.93	27.36	27.42	27.34		
Limit	Power < 2W			Result									Pass	



Part270 NR n77 Maximum Average Power [dBm], DG = -1.7 dBi														
BW	RB	RB	Mod	Antenna 6			Antenna 5			Combine			EIRP	EIRP
(MHz)	Size	Offset		Lowest	Middle	Highest	Lowest	Middle	Highest	Lowest	Middle	Highest	(dBm)	(W)
10	1	1	BPSK	25.64	25.69	25.25	24.75	24.55	24.47	28.23	28.17	27.89	26.62	0.4592
10	1	22		25.67	25.74	25.25	24.82	24.59	24.53	28.28	28.21	27.92		
10	12	6		25.66	25.74	25.27	24.82	24.57	24.55	28.27	28.20	27.94		
10	1	1	QPSK	25.64	25.73	25.28	24.80	24.58	24.57	28.25	28.20	27.95		
10	1	22		25.76	25.79	25.26	24.81	24.63	24.58	28.32	28.26	27.94		
10	12	6		25.67	25.73	25.27	24.86	24.58	24.53	28.29	28.20	27.93		
10	1	1	16-QAM	24.68	24.68	24.18	23.70	23.50	23.44	27.23	27.14	26.84	25.58	0.3614
10	1	22		24.74	24.72	24.19	23.74	23.58	23.41	27.28	27.20	26.83		
10	12	6		24.71	24.76	24.36	23.78	23.61	23.54	27.28	27.23	26.98		
Limit	EIRP < 1W			Result									Pass	

Part270 NR n77 Maximum Average Power [dBm], DG = -1.7 dBi														
BW	RB	RB	Mod	Antenna 6			Antenna 5			Combine			EIRP	EIRP
(MHz)	Size	Offset		Lowest	Middle	Highest	Lowest	Middle	Highest	Lowest	Middle	Highest	(dBm)	(W)
15	1	1	BPSK	25.62	25.71	25.34	24.83	24.58	24.63	28.25	28.19	28.01	26.64	0.4613
15	1	36		25.70	25.80	25.31	24.81	24.65	24.63	28.29	28.27	27.99		
15	18	9		25.72	25.81	25.35	24.89	24.62	24.69	28.34	28.27	28.04		
15	1	1	QPSK	25.67	25.69	25.45	24.85	24.62	24.67	28.29	28.20	28.09		
15	1	36		25.76	25.79	25.35	24.82	24.66	24.68	28.33	28.27	28.04		
15	18	9		25.74	25.71	25.36	24.87	24.61	24.68	28.34	28.21	28.04		
15	1	1	16-QAM	24.74	24.68	24.23	23.84	23.54	23.67	27.32	27.16	26.97	25.64	0.3664
15	1	36		24.80	24.79	24.16	23.74	23.58	23.63	27.31	27.24	26.91		
15	18	9		24.74	24.71	24.35	23.87	23.56	23.69	27.34	27.18	27.04		
Limit	EIRP < 1W			Result									Pass	



Part270 NR n77 Maximum Average Power [dBm], DG = -1.7 dBi														
BW	RB	RB	Mod	Antenna 6			Antenna 5			Combine			EIRP	EIRP
(MHz)	Size	Offset		Lowest	Middle	Highest	Lowest	Middle	Highest	Lowest	Middle	Highest	(dBm)	(W)
20	1	1	BPSK	25.65	25.72	25.42	24.88	24.64	24.56	28.29	28.22	28.02	26.7	0.4677
20	1	49		25.70	25.85	25.34	24.78	24.68	24.59	28.27	28.31	27.99		
20	25	12		25.76	25.75	25.37	24.94	24.64	24.69	28.38	28.24	28.05		
20	1	1	QPSK	25.66	25.80	25.44	24.88	24.66	24.60	28.30	28.28	28.05		
20	1	49		25.70	25.96	25.38	24.82	24.73	24.62	28.29	28.40	28.03		
20	25	12		25.79	25.76	25.38	24.93	24.62	24.68	28.39	28.24	28.05		
20	1	1	16-QAM	24.55	24.83	24.27	23.83	23.56	23.47	27.22	27.25	26.90	25.71	0.3724
20	1	49		24.54	24.89	24.15	23.75	23.59	23.54	27.17	27.30	26.87		
20	25	12		24.80	24.73	24.36	23.95	23.64	23.67	27.41	27.23	27.04		
Limit	EIRP < 1W			Result									Pass	

Part270 NR n77 Maximum Average Power [dBm], DG = -1.7 dBi														
BW	RB	RB	Mod	Antenna 6			Antenna 5			Combine			EIRP	EIRP
(MHz)	Size	Offset		Lowest	Middle	Highest	Lowest	Middle	Highest	Lowest	Middle	Highest	(dBm)	(W)
25	1	1	BPSK	25.73	25.77	25.39	24.95	24.65	24.48	28.37	28.26	27.97	26.73	0.4710
25	1	63		25.70	25.87	25.38	24.75	24.74	24.66	28.26	28.35	28.05		
25	32	16		25.80	25.77	25.42	24.96	24.69	24.65	28.41	28.27	28.06		
25	1	1	QPSK	25.83	25.74	25.38	24.96	24.68	24.50	28.43	28.25	27.97		
25	1	63		25.79	25.91	25.33	24.78	24.80	24.61	28.32	28.40	28.00		
25	32	16		25.81	25.76	25.38	24.95	24.66	24.65	28.41	28.26	28.04		
25	1	1	16-QAM	24.69	24.54	24.26	23.84	23.54	23.42	27.30	27.08	26.87	25.7	0.3715
25	1	63		24.68	24.73	24.23	23.68	23.70	23.56	27.22	27.26	26.92		
25	32	16		24.80	24.79	24.43	23.94	23.64	23.62	27.40	27.26	27.05		
Limit	EIRP < 1W			Result									Pass	



Part270 NR n77 Maximum Average Power [dBm], DG = -1.7 dBi														
BW	RB	RB	Mod	Antenna 6			Antenna 5			Combine			EIRP	EIRP
(MHz)	Size	Offset		Lowest	Middle	Highest	Lowest	Middle	Highest	Lowest	Middle	Highest	(dBm)	(W)
30	1	1	BPSK	25.63	25.73	25.57	24.80	24.59	24.56	28.25	28.21	28.10	26.74	0.4721
30	1	76		25.76	25.91	25.27	24.70	24.80	24.63	28.27	28.40	27.97		
30	36	18		25.75	25.78	25.43	24.85	24.67	24.76	28.33	28.27	28.12		
30	1	1	QPSK	25.65	25.79	25.62	24.83	24.66	24.60	28.27	28.27	28.15		
30	1	76		25.82	25.95	25.34	24.77	24.84	24.66	28.34	28.44	28.02		
30	36	18		25.73	25.80	25.45	24.83	24.66	24.75	28.31	28.28	28.12		
30	1	1	16-QAM	24.70	24.79	24.63	23.75	23.59	23.49	27.26	27.24	27.11	25.64	0.3664
30	1	76		24.80	24.88	24.33	23.68	23.71	23.50	27.29	27.34	26.95		
30	36	18		24.77	24.81	24.47	23.83	23.66	23.72	27.34	27.28	27.12		
Limit	EIRP < 1W			Result									Pass	

Part270 NR n77 Maximum Average Power [dBm], DG = -1.7 dBi														
BW	RB	RB	Mod	Antenna 6			Antenna 5			Combine			EIRP	EIRP
(MHz)	Size	Offset		Lowest	Middle	Highest	Lowest	Middle	Highest	Lowest	Middle	Highest	(dBm)	(W)
40	1	1	BPSK	25.73	25.76	25.48	24.92	24.61	24.33	28.35	28.23	27.95	26.75	0.4732
40	1	104		25.79	25.88	25.41	24.77	24.88	24.60	28.32	28.42	28.03		
40	50	25		25.77	25.77	25.44	24.86	24.62	24.66	28.35	28.24	28.08		
40	1	1	QPSK	25.72	25.78	25.54	24.95	24.65	24.38	28.36	28.26	28.01		
40	1	104		25.75	25.94	25.37	24.82	24.87	24.69	28.32	28.45	28.05		
40	50	25		25.81	25.83	25.46	24.83	24.64	24.62	28.36	28.29	28.07		
40	1	1	16-QAM	24.64	24.68	24.64	23.72	23.60	23.17	27.21	27.18	26.98	25.69	0.3707
40	1	104		24.65	24.83	24.48	23.55	23.88	23.50	27.15	27.39	27.03		
40	50	25		24.79	24.78	24.44	23.81	23.68	23.66	27.34	27.28	27.08		
Limit	EIRP < 1W			Result									Pass	



Part270 NR n77 Maximum Average Power [dBm], DG = -1.7 dBi														
BW	RB	RB	Mod	Antenna 6			Antenna 5			Combine			EIRP	EIRP
(MHz)	Size	Offset		Lowest	Middle	Highest	Lowest	Middle	Highest	Lowest	Middle	Highest	(dBm)	(W)
50	1	1	BPSK	25.58	25.79	25.51	24.79	24.65	24.57	28.21	28.27	28.08	26.79	0.4775
50	1	131		25.91	25.85	25.31	24.85	24.89	24.61	28.42	28.41	27.98		
50	64	32		25.70	25.79	25.53	24.71	24.68	24.63	28.24	28.28	28.11		
50	1	1	QPSK	25.65	25.82	25.54	24.81	24.69	24.61	28.26	28.30	28.11		
50	1	131		26.01	25.87	25.39	24.87	24.95	24.68	28.49	28.44	28.06		
50	64	32		25.71	25.81	25.50	24.76	24.67	24.66	28.27	28.29	28.11		
50	1	1	16-QAM	24.35	24.89	24.71	23.91	23.69	23.57	27.15	27.34	27.19	25.71	0.3724
50	1	131		24.63	24.83	24.33	23.87	23.93	23.42	27.28	27.41	26.91		
50	64	32		24.73	24.84	24.53	23.73	23.71	23.61	27.27	27.32	27.10		
Limit	EIRP < 1W			Result									Pass	

Part270 NR n77 Maximum Average Power [dBm], DG = -1.7 dBi														
BW	RB	RB	Mod	Antenna 1			Antenna 2			Combine			EIRP	EIRP
(MHz)	Size	Offset		Lowest	Middle	Highest	Lowest	Middle	Highest	Lowest	Middle	Highest	(dBm)	(W)
60	1	1	BPSK	25.78	25.87	25.51	24.92	24.73	24.56	28.38	28.35	28.07	26.76	0.4742
60	1	160		25.77	25.91	25.48	24.97	24.94	24.74	28.40	28.46	28.14		
60	81	40		25.79	25.83	25.55	24.78	24.66	24.54	28.32	28.29	28.08		
60	1	1	QPSK	25.76	25.86	25.61	24.93	24.73	24.59	28.38	28.34	28.14		
60	1	160		25.78	25.83	25.65	24.91	25.01	24.76	28.38	28.45	28.24		
60	81	40		25.79	25.82	25.54	24.77	24.77	24.61	28.32	28.34	28.11		
60	1	1	16-QAM	24.61	24.57	24.47	23.76	23.72	23.67	27.22	27.18	27.10	25.61	0.3639
60	1	160		24.63	24.62	24.59	23.80	23.96	23.85	27.25	27.31	27.25		
60	81	40		24.79	24.85	24.60	23.74	23.64	23.59	27.31	27.30	27.13		
Limit	EIRP < 1W			Result									Pass	





Part270 NR n77 Maximum Average Power [dBm], DG = -1.7 dBi														
BW	RB	RB	Mod	Antenna 6			Antenna 5			Combine			EIRP	EIRP
(MHz)	Size	Offset		Lowest	Middle	Highest	Lowest	Middle	Highest	Lowest	Middle	Highest	(dBm)	(W)
70	1	1	BPSK	25.60	25.79	25.64	24.80	24.73	24.60	28.23	28.30	28.16	26.82	0.4808
70	1	187		25.88	25.83	25.62	24.99	24.90	24.80	28.47	28.40	28.24		
70	90	45		25.72	25.82	25.48	24.68	24.68	24.40	28.24	28.30	27.98		
70	1	1	QPSK	25.67	25.89	25.69	24.80	24.69	24.59	28.27	28.34	28.19		
70	1	187		25.96	25.85	25.60	25.01	24.93	24.81	28.52	28.42	28.23		
70	90	45		25.68	25.81	25.46	24.69	24.66	24.38	28.22	28.28	27.96		
70	1	1	16-QAM	24.70	24.93	24.49	23.70	23.76	23.69	27.24	27.39	27.12	25.83	0.3828
70	1	187		25.05	24.69	24.35	23.92	23.60	23.66	27.53	27.19	27.03		
70	90	45		24.71	24.82	24.51	23.72	23.70	23.41	27.25	27.31	27.01		
Limit	EIRP < 1W			Result									Pass	

Part270 NR n77 Maximum Average Power [dBm], DG = -1.7 dBi														
BW	RB	RB	Mod	Antenna 6			Antenna 5			Combine			EIRP	EIRP
(MHz)	Size	Offset		Lowest	Middle	Highest	Lowest	Middle	Highest	Lowest	Middle	Highest	(dBm)	(W)
80	1	1	BPSK	25.72	25.84	25.75	24.94	24.74	24.60	28.36	28.34	28.22	26.76	0.4742
80	1	215		25.87	25.80	25.52	24.83	24.80	24.80	28.39	28.34	28.19		
80	108	54		25.76	25.85	25.51	24.79	24.72	24.47	28.31	28.33	28.03		
80	1	1	QPSK	25.78	25.84	25.72	24.95	24.78	24.61	28.40	28.35	28.21		
80	1	215		25.93	25.84	25.55	24.91	24.87	24.84	28.46	28.39	28.22		
80	108	54		25.75	25.82	25.52	24.78	24.69	24.47	28.30	28.30	28.04		
80	1	1	16-QAM	24.55	24.85	24.79	23.95	23.40	23.52	27.27	27.20	27.21	25.87	0.3864
80	1	215		24.61	25.10	24.50	23.79	23.95	23.70	27.23	27.57	27.13		
80	108	54		24.76	24.83	24.52	23.80	23.71	23.44	27.32	27.32	27.02		
Limit	EIRP < 1W			Result									Pass	



Part270 NR n77 Maximum Average Power [dBm], DG = -1.7 dBi														
BW (MHz)	RB Size	RB Offset	Mod	Antenna 6			Antenna 5			Combine			EIRP (dBm)	EIRP (W)
				Lowest	Middle	Highest	Lowest	Middle	Highest	Lowest	Middle	Highest		
90	1	1	BPSK	25.65	25.87	25.90	24.84	24.74	24.76	28.27	28.35	28.38	26.89	0.4887
90	1	243		26.06	25.81	25.39	24.98	24.83	24.68	28.56	28.36	28.06		
90	120	60		25.77	25.83	25.49	24.71	24.69	24.62	28.28	28.31	28.09		
90	1	1	QPSK	25.73	25.91	25.91	24.89	24.70	24.80	28.34	28.36	28.40		
90	1	243		26.09	25.87	25.43	25.01	24.91	24.77	28.59	28.43	28.12		
90	120	60		25.77	25.80	25.51	24.65	24.70	24.59	28.26	28.30	28.08		
90	1	1	16-QAM	24.71	24.90	24.82	23.73	23.67	23.79	27.26	27.34	27.35	25.78	0.3784
90	1	243		24.96	24.99	24.21	23.91	23.84	23.51	27.48	27.46	26.88		
90	120	60		24.75	24.82	24.53	23.71	23.71	23.59	27.27	27.31	27.10		
Limit	EIRP < 1W			Result									Pass	

Part270 NR n77 Maximum Average Power [dBm], DG = -1.7 dBi														
BW (MHz)	RB Size	RB Offset	Mod	Antenna 6			Antenna 5			Combine			EIRP (dBm)	EIRP (W)
				Lowest	Middle	Highest	Lowest	Middle	Highest	Lowest	Middle	Highest		
100	1	1	BPSK	25.80	25.92	25.79	25.02	24.78	24.75	28.44	28.40	28.31	26.82	0.4808
100	1	271		25.93	25.89	25.67	25.02	24.90	24.86	28.51	28.43	28.29		
100	135	67		25.86	25.85	25.52	24.79	24.70	24.59	28.37	28.32	28.09		
100	1	1	QPSK	25.86	25.90	25.89	25.01	24.81	24.76	28.47	28.40	28.37		
100	1	271		25.98	25.87	25.73	24.98	24.92	24.90	28.52	28.43	28.35		
100	135	67		25.86	25.82	25.52	24.77	24.69	24.60	28.36	28.30	28.09		
100	1	1	16-QAM	24.67	24.90	24.80	23.90	23.79	23.62	27.31	27.39	27.26	25.72	0.3733
100	1	271		24.86	24.85	24.67	23.91	23.79	23.75	27.42	27.36	27.24		
100	135	67		24.85	24.82	24.54	23.77	23.70	23.59	27.35	27.31	27.10		
Limit	EIRP < 1W			Result									Pass	



Part27Q NR n77 Maximum Average Power [dBm], DG = -1.7 dBi														
BW	RB	RB	Mod	Antenna 6			Antenna 5			Combine			EIRP	EIRP
(MHz)	Size	Offset		Lowest	Middle	Highest	Lowest	Middle	Highest	Lowest	Middle	Highest	(dBm)	(W)
10	1	1	BPSK	25.73	25.74	25.78	25.17	25.07	25.00	28.47	28.43	28.42	26.82	0.4808
10	1	22		25.54	25.63	25.78	25.15	25.04	25.11	28.36	28.36	28.47		
10	12	6		25.66	25.67	25.80	25.22	25.05	25.11	28.46	28.38	28.48		
10	1	1	QPSK	25.75	25.71	25.83	25.18	25.11	25.06	28.48	28.43	28.47		
10	1	22		25.62	25.63	25.85	25.11	25.08	25.15	28.38	28.37	28.52		
10	12	6		25.64	25.66	25.79	25.18	25.03	25.10	28.43	28.37	28.47		
10	1	1	16-QAM	24.63	24.77	24.83	23.94	23.82	23.97	27.31	27.33	27.43	25.8	0.3802
10	1	22		24.44	24.73	24.87	23.90	23.85	24.08	27.19	27.32	27.50		
10	12	6		24.66	24.67	24.81	24.21	24.05	24.12	27.45	27.38	27.49		
Limit	EIRP < 1W			Result									Pass	

Part27Q NR n77 Maximum Average Power [dBm], DG = -1.7 dBi														
BW	RB	RB	Mod	Antenna 6			Antenna 5			Combine			EIRP	EIRP
(MHz)	Size	Offset		Lowest	Middle	Highest	Lowest	Middle	Highest	Lowest	Middle	Highest	(dBm)	(W)
15	1	1	BPSK	25.74	25.76	25.67	25.21	25.12	24.90	28.49	28.46	28.31	26.85	0.4842
15	1	36		25.51	25.66	25.75	25.15	25.04	25.10	28.34	28.37	28.45		
15	18	9		25.64	25.68	25.75	25.22	25.09	24.99	28.45	28.41	28.40		
15	1	1	QPSK	25.83	25.78	25.73	25.22	25.14	24.94	28.55	28.48	28.36		
15	1	36		25.62	25.64	25.86	25.16	25.10	25.11	28.41	28.39	28.51		
15	18	9		25.64	25.70	25.75	25.22	25.04	24.98	28.45	28.39	28.39		
15	1	1	16-QAM	24.69	24.76	24.58	24.28	24.06	23.90	27.50	27.43	27.26	25.8	0.3802
15	1	36		24.47	24.67	24.67	24.25	23.95	24.10	27.37	27.34	27.40		
15	18	9		24.62	24.65	24.72	24.16	24.06	24.01	27.41	27.38	27.39		
Limit	EIRP < 1W			Result									Pass	



Part27Q NR n77 Maximum Average Power [dBm], DG = -1.7 dBi														
BW	RB	RB	Mod	Antenna 6			Antenna 5			Combine			EIRP	EIRP
(MHz)	Size	Offset		Lowest	Middle	Highest	Lowest	Middle	Highest	Lowest	Middle	Highest	(dBm)	(W)
20	1	1	BPSK	25.77	25.74	25.55	25.25	25.11	24.76	28.53	28.45	28.18	26.88	0.4875
20	1	49		25.55	25.61	25.68	25.14	25.03	25.02	28.36	28.34	28.37		
20	25	12		25.65	25.64	25.66	25.27	25.01	24.93	28.47	28.35	28.32		
20	1	1	QPSK	25.83	25.81	25.57	25.30	25.11	24.82	28.58	28.48	28.22		
20	1	49		25.54	25.66	25.73	25.23	25.06	25.07	28.40	28.38	28.42		
20	25	12		25.64	25.68	25.66	25.25	25.04	24.87	28.46	28.38	28.29		
20	1	1	16-QAM	24.70	24.91	24.55	24.31	24.14	23.86	27.52	27.55	27.23	25.85	0.3846
20	1	49		24.46	24.76	24.71	24.23	24.02	24.10	27.36	27.42	27.43		
20	25	12		24.67	24.64	24.66	24.26	24.02	23.90	27.48	27.35	27.31		
Limit	EIRP < 1W			Result									Pass	

Part27Q NR n77 Maximum Average Power [dBm], DG = -1.7 dBi														
BW	RB	RB	Mod	Antenna 6			Antenna 5			Combine			EIRP	EIRP
(MHz)	Size	Offset		Lowest	Middle	Highest	Lowest	Middle	Highest	Lowest	Middle	Highest	(dBm)	(W)
25	1	1	BPSK	25.84	25.76	25.46	25.33	25.10	24.74	28.60	28.45	28.13	26.95	0.4955
25	1	63		25.62	25.61	25.67	25.23	25.02	25.00	28.44	28.34	28.36		
25	32	16		25.68	25.65	25.60	25.33	25.05	24.82	28.52	28.37	28.24		
25	1	1	QPSK	25.88	25.77	25.46	25.38	25.14	24.77	28.65	28.48	28.14		
25	1	63		25.68	25.63	25.66	25.27	25.09	25.03	28.49	28.38	28.37		
25	32	16		25.64	25.67	25.59	25.32	25.05	24.82	28.49	28.38	28.23		
25	1	1	16-QAM	24.72	24.60	24.43	24.15	24.02	23.62	27.45	27.33	27.05	25.8	0.3802
25	1	63		24.48	24.48	24.66	23.98	23.96	23.85	27.25	27.24	27.28		
25	32	16		24.67	24.68	24.59	24.31	24.01	23.81	27.50	27.37	27.23		
Limit	EIRP < 1W			Result									Pass	



Part27Q NR n77 Maximum Average Power [dBm], DG = -1.7 dBi														
BW	RB	RB	Mod	Antenna 6			Antenna 5			Combine			EIRP	EIRP
(MHz)	Size	Offset		Lowest	Middle	Highest	Lowest	Middle	Highest	Lowest	Middle	Highest	(dBm)	(W)
30	1	1	BPSK	25.65	25.74	25.53	25.09	25.10	24.94	28.39	28.44	28.26	26.85	0.4842
30	1	76		25.59	25.58	25.77	24.99	25.02	25.15	28.31	28.32	28.48		
30	36	18		25.49	25.67	25.74	25.08	25.06	24.96	28.30	28.39	28.38		
30	1	1	QPSK	25.70	25.71	25.64	25.12	25.09	24.99	28.43	28.42	28.34		
30	1	76		25.60	25.53	25.86	25.01	25.03	25.20	28.33	28.30	28.55		
30	36	18		25.53	25.69	25.71	25.10	25.06	24.99	28.33	28.40	28.38		
30	1	1	16-QAM	24.62	24.57	24.55	24.07	24.14	23.97	27.36	27.37	27.28	25.78	0.3784
30	1	76		24.50	24.45	24.75	23.96	24.07	24.18	27.25	27.27	27.48		
30	36	18		24.48	24.70	24.74	24.06	24.03	23.99	27.29	27.39	27.39		
Limit	EIRP < 1W			Result									Pass	

Part27Q NR n77 Maximum Average Power [dBm], DG = -1.7 dBi														
BW	RB	RB	Mod	Antenna 6			Antenna 5			Combine			EIRP	EIRP
(MHz)	Size	Offset		Lowest	Middle	Highest	Lowest	Middle	Highest	Lowest	Middle	Highest	(dBm)	(W)
40	1	1	BPSK	25.81	25.67	25.66	25.24	25.07	24.98	28.54	28.39	28.34	26.87	0.4864
40	1	104		25.79	25.53	25.82	25.15	24.95	25.11	28.49	28.26	28.49		
40	50	25		25.63	25.75	25.55	25.19	25.08	24.84	28.43	28.44	28.22		
40	1	1	QPSK	25.76	25.63	25.61	25.27	25.11	24.97	28.53	28.39	28.31		
40	1	104		25.81	25.53	25.76	25.30	25.04	25.00	28.57	28.30	28.41		
40	50	25		25.61	25.69	25.53	25.17	25.05	24.88	28.41	28.39	28.23		
40	1	1	16-QAM	24.86	24.63	24.38	24.40	24.06	23.73	27.65	27.36	27.08	25.95	0.3936
40	1	104		24.81	24.50	24.67	24.26	23.93	24.01	27.55	27.23	27.36		
40	50	25		24.58	24.67	24.60	24.23	24.07	23.80	27.42	27.39	27.23		
Limit	EIRP < 1W			Result									Pass	



Part27Q NR n77 Maximum Average Power [dBm], DG = -1.7 dBi														
BW	RB	RB	Mod	Antenna 6			Antenna 5			Combine			EIRP	EIRP
(MHz)	Size	Offset		Lowest	Middle	Highest	Lowest	Middle	Highest	Lowest	Middle	Highest	(dBm)	(W)
50	1	1	BPSK	25.75	25.60	25.60	25.16	25.04	24.87	28.48	28.34	28.26	26.79	0.4775
50	1	131		25.68	25.51	25.75	25.11	24.96	24.99	28.41	28.25	28.40		
50	64	32		25.49	25.67	25.45	25.01	25.08	24.78	28.27	28.40	28.14		
50	1	1	QPSK	25.74	25.63	25.67	25.21	25.09	24.87	28.49	28.38	28.30		
50	1	131		25.72	25.57	25.84	25.06	24.91	24.97	28.41	28.26	28.44		
50	64	32		25.51	25.63	25.42	25.01	25.03	24.78	28.28	28.35	28.12		
50	1	1	16-QAM	24.45	24.43	24.58	23.93	24.06	23.92	27.21	27.26	27.27	25.72	0.3733
50	1	131		24.69	24.34	24.72	23.98	23.91	24.08	27.36	27.14	27.42		
50	64	32		24.55	24.68	24.45	24.05	24.07	23.74	27.32	27.40	27.12		
Limit	EIRP < 1W			Result									Pass	

Part27Q NR n77 Maximum Average Power [dBm], DG = -1.7 dBi														
BW	RB	RB	Mod	Antenna 6			Antenna 5			Combine			EIRP	EIRP
(MHz)	Size	Offset		Lowest	Middle	Highest	Lowest	Middle	Highest	Lowest	Middle	Highest	(dBm)	(W)
60	1	1	BPSK	25.83	25.57	25.82	25.29	25.13	25.09	28.58	28.37	28.48	26.93	0.4932
60	1	160		25.75	25.60	25.79	25.14	24.89	25.11	28.47	28.27	28.47		
60	81	40		25.74	25.67	25.51	25.12	24.98	24.93	28.45	28.35	28.24		
60	1	1	QPSK	25.96	25.60	25.88	25.25	25.14	25.15	28.63	28.39	28.54		
60	1	160		25.67	25.56	25.77	25.17	24.95	25.18	28.44	28.28	28.50		
60	81	40		25.69	25.68	25.49	25.15	24.98	24.91	28.44	28.35	28.22		
60	1	1	16-QAM	24.86	24.27	24.65	24.21	23.84	23.92	27.56	27.07	27.31	25.86	0.3855
60	1	160		24.84	24.26	24.65	24.13	23.66	24.01	27.51	26.98	27.35		
60	81	40		24.72	24.71	24.55	24.17	24.04	23.96	27.46	27.40	27.28		
Limit	EIRP < 1W			Result									Pass	



Part27Q NR n77 Maximum Average Power [dBm], DG = -1.7 dBi														
BW	RB	RB	Mod	Antenna 6			Antenna 5			Combine			EIRP	EIRP
(MHz)	Size	Offset		Lowest	Middle	Highest	Lowest	Middle	Highest	Lowest	Middle	Highest	(dBm)	(W)
70	1	1	BPSK	25.80	25.66	25.81	25.18	25.17	25.24	28.51	28.43	28.54	26.9	0.4898
70	1	187		25.63	25.70	25.77	25.00	24.97	25.18	28.34	28.36	28.50		
70	90	45		25.68	25.68	25.72	25.01	25.01	25.13	28.37	28.37	28.45		
70	1	1	QPSK	25.88	25.70	25.88	25.28	25.15	25.20	28.60	28.44	28.56		
70	1	187		25.67	25.76	25.83	25.05	25.04	25.15	28.38	28.43	28.51		
70	90	45		25.63	25.71	25.72	25.03	24.98	25.13	28.35	28.37	28.45		
70	1	1	16-QAM	24.07	24.55	24.79	24.07	24.09	24.10	27.08	27.34	27.47	25.78	0.3784
70	1	187		24.52	24.65	24.71	23.85	23.91	24.22	27.21	27.31	27.48		
70	90	45		24.72	24.74	24.75	24.06	24.07	24.11	27.41	27.43	27.45		
Limit	EIRP < 1W			Result									Pass	

Part27Q NR n77 Maximum Average Power [dBm], DG = -1.7 dBi														
BW	RB	RB	Mod	Antenna 6			Antenna 5			Combine			EIRP	EIRP
(MHz)	Size	Offset		Lowest	Middle	Highest	Lowest	Middle	Highest	Lowest	Middle	Highest	(dBm)	(W)
80	1	1	BPSK	25.89	25.67	25.62	25.28	25.25	25.17	28.61	28.48	28.41	26.91	0.4909
80	1	215		25.70	25.76	25.83	24.98	25.04	25.23	28.37	28.43	28.55		
80	108	54		25.78	25.66	25.71	25.15	24.99	25.09	28.49	28.35	28.42		
80	1	1	QPSK	25.35	25.65	25.68	25.37	25.28	25.24	28.37	28.48	28.48		
80	1	215		25.70	25.78	25.87	24.97	25.09	25.23	28.36	28.46	28.57		
80	108	54		25.19	25.65	25.66	25.14	24.97	25.05	28.18	28.33	28.38		
80	1	1	16-QAM	24.68	24.19	24.48	24.21	23.93	23.88	27.46	27.07	27.20	25.77	0.3776
80	1	215		24.45	24.51	24.63	23.91	24.02	23.95	27.20	27.28	27.31		
80	108	54		24.78	24.64	24.71	24.12	23.99	24.04	27.47	27.34	27.40		
Limit	EIRP < 1W			Result									Pass	



Part27Q NR n77 Maximum Average Power [dBm], DG = -1.7 dBi														
BW	RB	RB	Mod	Antenna 6			Antenna 5			Combine			EIRP	EIRP
(MHz)	Size	Offset		Lowest	Middle	Highest	Lowest	Middle	Highest	Lowest	Middle	Highest	(dBm)	(W)
90	1	1	BPSK	25.85	25.79	25.76	25.23	25.28	25.32	28.56	28.55	28.56	26.93	0.4932
90	1	243		25.31	25.85	25.82	25.06	25.15	25.24	28.20	28.52	28.55		
90	120	60		25.62	25.69	25.78	24.97	24.96	25.14	28.32	28.35	28.48		
90	1	1	QPSK	25.93	25.89	25.85	25.28	25.30	25.37	28.63	28.62	28.63		
90	1	243		25.95	25.91	25.89	25.14	25.22	25.25	28.57	28.59	28.59		
90	120	60		25.65	25.68	25.77	24.96	24.96	25.12	28.33	28.35	28.47		
90	1	1	16-QAM	24.86	24.71	24.88	24.01	24.13	24.55	27.47	27.44	27.73	26.03	0.4009
90	1	243		24.89	24.75	24.60	23.88	24.02	23.98	27.42	27.41	27.31		
90	120	60		24.67	24.65	24.78	23.94	23.96	24.12	27.33	27.33	27.47		
Limit	EIRP < 1W			Result									Pass	

Part27Q NR n77 Maximum Average Power [dBm], DG = -1.7 dBi														
BW	RB	RB	Mod	Antenna 6			Antenna 5			Combine			EIRP	EIRP
(MHz)	Size	Offset		Lowest	Middle	Highest	Lowest	Middle	Highest	Lowest	Middle	Highest	(dBm)	(W)
100	1	1	BPSK	-	25.98	-	-	25.37	-	-	28.70	-	27.06	0.5082
100	1	271		-	25.97	-	-	25.33	-	-	28.67	-		
100	135	67		-	25.65	-	-	24.98	-	-	28.34	-		
100	1	1	QPSK	-	26.03	-	-	25.45	-	-	28.76	-		
100	1	271		-	25.97	-	-	25.35	-	-	28.68	-		
100	135	67		-	25.67	-	-	24.96	-	-	28.34	-		
100	1	1	16-QAM	-	24.96	-	-	24.11	-	-	27.57	-	26.04	0.4018
100	1	271		-	25.13	-	-	24.29	-	-	27.74	-		
100	135	67		-	24.18	-	-	23.97	-	-	27.09	-		
Limit	EIRP < 1W			Result									Pass	





NR n41 Maximum Average Power [dBm], DG = 3.25 dBi														
BW (MHz)	RB Size	RB Offset	Mod	Antenna 0			Antenna 1			Combine			EIRP (dBm)	EIRP (W)
				Lowest	Middle	Highest	Lowest	Middle	Highest	Lowest	Middle	Highest		
10	1	1	BPSK	25.80	25.85	25.55	25.78	25.64	25.45	28.80	28.76	28.51	32.1	1.6293
10	1	22		25.78	25.85	25.47	25.73	25.49	25.45	28.77	28.68	28.47		
10	12	6		25.84	25.80	25.53	25.82	25.63	25.51	28.84	28.73	28.53		
10	1	1	QPSK	25.90	25.96	25.63	25.76	25.65	25.52	28.84	28.82	28.59		
10	1	22		25.85	25.90	25.57	25.76	25.56	25.49	28.82	28.74	28.54		
10	12	6		25.88	25.86	25.54	25.83	25.64	25.51	28.87	28.76	28.54		
10	1	1	16-QAM	24.97	24.71	24.50	24.73	24.56	24.34	27.86	27.65	27.43	31.1	1.2912
10	1	22		24.96	24.69	24.43	24.72	24.46	24.33	27.85	27.59	27.39		
10	12	6		24.78	24.84	24.59	24.79	24.60	24.46	27.80	27.73	27.54		
Limit	Power < 2W			Result									Pass	

NR n41 Maximum Average Power [dBm], DG = 3.25 dBi														
BW (MHz)	RB Size	RB Offset	Mod	Antenna 0			Antenna 1			Combine			EIRP (dBm)	EIRP (W)
				Lowest	Middle	Highest	Lowest	Middle	Highest	Lowest	Middle	Highest		
15	1	1	BPSK	25.86	25.83	25.63	25.83	25.62	25.57	28.86	28.74	28.61	32.2	1.6482
15	1	36		25.76	25.83	25.66	25.77	25.52	25.62	28.78	28.69	28.65		
15	18	9		25.86	25.87	25.70	25.87	25.62	25.66	28.88	28.76	28.69		
15	1	1	QPSK	25.95	25.93	25.73	25.87	25.70	25.59	28.92	28.83	28.67		
15	1	36		25.88	25.92	25.76	25.86	25.56	25.65	28.88	28.75	28.72		
15	18	9		25.88	25.88	25.74	25.90	25.66	25.72	28.90	28.78	28.74		
15	1	1	16-QAM	24.87	24.57	24.72	24.64	24.56	24.59	27.77	27.58	27.67	31.1	1.2912
15	1	36		24.80	24.52	24.75	24.55	24.44	24.62	27.69	27.49	27.70		
15	18	9		24.83	24.88	24.70	24.87	24.61	24.70	27.86	27.76	27.71		
Limit	Power < 2W			Result									Pass	



NR n41 Maximum Average Power [dBm], DG = 3.25 dBi														
BW (MHz)	RB Size	RB Offset	Mod	Antenna 0			Antenna 1			Combine			EIRP (dBm)	EIRP (W)
				Lowest	Middle	Highest	Lowest	Middle	Highest	Lowest	Middle	Highest		
20	1	1	BPSK	25.70	25.84	25.64	25.62	25.65	25.45	28.67	28.76	28.56	32	1.5959
20	1	49		25.70	25.81	25.62	25.56	25.54	25.58	28.64	28.69	28.61		
20	25	12		25.67	25.81	25.69	25.67	25.62	25.58	28.68	28.73	28.65		
20	1	1	QPSK	25.76	25.87	25.76	25.71	25.63	25.53	28.75	28.76	28.66		
20	1	49		25.71	25.90	25.75	25.67	25.56	25.60	28.70	28.74	28.69		
20	25	12		25.74	25.86	25.72	25.67	25.67	25.61	28.72	28.78	28.68		
20	1	1	16-QAM	24.53	24.84	24.70	24.57	24.58	24.54	27.56	27.72	27.63	31	1.2560
20	1	49		24.53	24.81	24.68	24.51	24.47	24.69	27.53	27.65	27.70		
20	25	12		24.71	24.88	24.73	24.66	24.57	24.65	27.70	27.74	27.70		
Limit	Power < 2W			Result									Pass	



NR n41 Maximum Average Power [dBm], DG = 3.25 dBi														
BW (MHz)	RB Size	RB Offset	Mod	Antenna 0			Antenna 1			Combine			EIRP (dBm)	EIRP (W)
				Lowest	Middle	Highest	Lowest	Middle	Highest	Lowest	Middle	Highest		
30	1	1	BPSK	25.82	25.89	25.75	25.76	25.70	25.50	28.80	28.81	28.64	32.1	1.6331
30	1	76		25.68	25.82	25.67	25.67	25.39	25.66	28.69	28.62	28.68		
30	36	18		25.80	25.84	25.75	25.78	25.61	25.70	28.80	28.74	28.74		
30	1	1	QPSK	25.91	25.93	25.79	25.82	25.79	25.62	28.88	28.87	28.72		
30	1	76		25.83	25.90	25.72	25.69	25.48	25.73	28.77	28.71	28.74		
30	36	18		25.80	25.86	25.76	25.79	25.61	25.64	28.81	28.75	28.71		
30	1	1	16-QAM	24.62	24.77	24.69	24.82	24.71	24.66	27.73	27.75	27.69	31	1.2706
30	1	76		24.51	24.81	24.54	24.67	24.66	24.76	27.60	27.75	27.66		
30	36	18		24.76	24.85	24.73	24.79	24.62	24.61	27.79	27.75	27.68		
Limit	Power < 2W			Result									Pass	

NR n41 Maximum Average Power [dBm], DG = 3.25 dBi														
BW (MHz)	RB Size	RB Offset	Mod	Antenna 0			Antenna 1			Combine			EIRP (dBm)	EIRP (W)
				Lowest	Middle	Highest	Lowest	Middle	Highest	Lowest	Middle	Highest		
40	1	1	BPSK	25.71	25.90	25.68	25.67	25.73	25.45	28.70	28.83	28.58	32.1	1.6144
40	1	104		25.66	25.82	25.59	25.54	25.48	25.59	28.61	28.66	28.60		
40	50	25		25.69	25.83	25.62	25.62	25.63	25.54	28.67	28.74	28.59		
40	1	1	QPSK	25.83	25.90	25.79	25.66	25.66	25.46	28.76	28.79	28.64		
40	1	104		25.73	25.81	25.76	25.66	25.48	25.64	28.71	28.66	28.71		
40	50	25		25.72	25.86	25.70	25.63	25.64	25.51	28.69	28.76	28.62		
40	1	1	16-QAM	24.62	24.90	24.68	24.56	24.74	24.38	27.60	27.83	27.54	31.1	1.2823
40	1	104		24.65	24.80	24.65	24.42	24.46	24.51	27.55	27.64	27.59		
40	50	25		24.67	24.84	24.72	24.60	24.56	24.47	27.65	27.71	27.61		
Limit	Power < 2W			Result									Pass	



NR n41 Maximum Average Power [dBm], DG = 3.25 dBi														
BW (MHz)	RB Size	RB Offset	Mod	Antenna 0			Antenna 1			Combine			EIRP (dBm)	EIRP (W)
				Lowest	Middle	Highest	Lowest	Middle	Highest	Lowest	Middle	Highest		
50	1	1	BPSK	25.88	25.89	25.85	25.86	25.66	25.68	28.88	28.79	28.78	32.2	1.6558
50	1	131		25.73	25.83	25.65	25.70	25.48	25.63	28.73	28.67	28.65		
50	64	32		25.75	25.84	25.76	25.70	25.57	25.54	28.74	28.72	28.66		
50	1	1	QPSK	25.98	25.97	25.95	25.88	25.76	25.75	28.94	28.88	28.86		
50	1	131		25.98	25.82	25.73	25.76	25.53	25.73	28.88	28.69	28.74		
50	64	32		25.78	25.87	25.75	25.74	25.63	25.56	28.77	28.76	28.67		
50	1	1	16-QAM	24.71	24.99	24.97	24.61	24.66	24.66	27.67	27.84	27.83	31.1	1.2853
50	1	131		24.59	24.69	24.64	24.49	24.25	24.56	27.55	27.49	27.61		
50	64	32		24.77	24.88	24.76	24.72	24.64	24.52	27.76	27.77	27.65		
Limit	Power < 2W			Result									Pass	

NR n41 Maximum Average Power [dBm], DG = 3.25 dBi														
BW (MHz)	RB Size	RB Offset	Mod	Antenna 0			Antenna 1			Combine			EIRP (dBm)	EIRP (W)
				Lowest	Middle	Highest	Lowest	Middle	Highest	Lowest	Middle	Highest		
60	1	1	BPSK	25.74	25.89	25.78	25.72	25.76	25.60	28.74	28.84	28.70	32.2	1.6482
60	1	160		25.84	25.81	25.64	25.66	25.55	25.62	28.76	28.69	28.64		
60	81	40		25.65	25.82	25.72	25.53	25.60	25.55	28.60	28.72	28.65		
60	1	1	QPSK	25.85	25.98	25.80	25.73	25.84	25.73	28.80	28.92	28.78		
60	1	160		25.93	25.97	25.68	25.71	25.67	25.65	28.83	28.83	28.68		
60	81	40		25.67	25.85	25.71	25.47	25.67	25.56	28.58	28.77	28.65		
60	1	1	16-QAM	24.60	24.96	24.89	24.77	24.83	24.61	27.70	27.91	27.76	31.2	1.3062
60	1	160		24.70	24.75	24.79	24.77	24.43	24.68	27.75	27.60	27.75		
60	81	40		24.73	24.83	24.71	24.50	24.59	24.52	27.63	27.72	27.63		
Limit	Power < 2W			Result									Pass	



NR n41 Maximum Average Power [dBm], DG = 3.25 dBi														
BW (MHz)	RB Size	RB Offset	Mod	Antenna 0			Antenna 1			Combine			EIRP (dBm)	EIRP (W)
				Lowest	Middle	Highest	Lowest	Middle	Highest	Lowest	Middle	Highest		
70	1	1	BPSK	25.87	25.94	25.79	25.87	25.77	25.55	28.88	28.87	28.68	32.2	1.6558
70	1	187		25.88	25.79	25.70	25.68	25.60	25.61	28.79	28.71	28.67		
70	90	45		25.77	25.89	25.57	25.60	25.61	25.34	28.70	28.76	28.47		
70	1	1	QPSK	25.97	26.01	25.81	25.88	25.82	25.56	28.94	28.93	28.70		
70	1	187		25.99	25.86	25.72	25.73	25.63	25.67	28.87	28.76	28.71		
70	90	45		25.79	25.89	25.58	25.65	25.64	25.35	28.73	28.78	28.48		
70	1	1	16-QAM	24.83	24.77	24.62	24.80	24.61	24.23	27.83	27.70	27.44	31.1	1.2823
70	1	187		24.56	24.62	24.64	24.52	24.50	24.58	27.55	27.57	27.62		
70	90	45		24.80	24.86	24.60	24.61	24.60	24.34	27.72	27.74	27.48		
Limit	Power < 2W			Result									Pass	

NR n41 Maximum Average Power [dBm], DG = 3.25 dBi														
BW (MHz)	RB Size	RB Offset	Mod	Antenna 0			Antenna 1			Combine			EIRP (dBm)	EIRP (W)
				Lowest	Middle	Highest	Lowest	Middle	Highest	Lowest	Middle	Highest		
80	1	1	BPSK	25.83	25.89	25.90	25.79	25.77	25.62	28.82	28.84	28.77	32.2	1.6482
80	1	215		25.93	25.80	25.70	25.79	25.65	25.66	28.87	28.74	28.69		
80	108	54		25.67	25.85	25.68	25.53	25.60	25.36	28.61	28.74	28.53		
80	1	1	QPSK	25.92	25.99	26.02	25.86	25.83	25.58	28.90	28.92	28.82		
80	1	215		25.99	25.90	25.88	25.77	25.75	25.72	28.89	28.84	28.81		
80	108	54		25.71	25.89	25.74	25.55	25.60	25.38	28.64	28.76	28.57		
80	1	1	16-QAM	24.73	24.78	24.96	24.86	24.79	24.72	27.81	27.80	27.85	31.2	1.3213
80	1	215		24.99	24.86	24.59	24.90	24.60	24.55	27.96	27.74	27.58		
80	108	54		24.65	24.89	24.67	24.56	24.61	24.43	27.62	27.76	27.56		
Limit	Power < 2W			Result									Pass	



NR n41 Maximum Average Power [dBm], DG = 3.25 dBi														
BW (MHz)	RB Size	RB Offset	Mod	Antenna 7			Antenna 1			Combine			EIRP (dBm)	EIRP (W)
				Lowest	Middle	Highest	Lowest	Middle	Highest	Lowest	Middle	Highest		
90	1	1	BPSK	25.91	25.92	25.98	25.85	25.80	25.70	28.89	28.87	28.85	32.2	1.6634
90	1	243		25.85	25.82	25.65	25.68	25.69	25.68	28.78	28.77	28.68		
90	120	60		25.77	25.84	25.82	25.71	25.58	25.62	28.75	28.72	28.73		
90	1	1	QPSK	25.97	25.92	26.00	25.92	25.92	25.73	28.96	28.93	28.88		
90	1	243		25.88	25.89	25.68	25.73	25.78	25.71	28.82	28.85	28.71		
90	120	60		25.80	25.88	25.84	25.74	25.61	25.66	28.78	28.76	28.76		
90	1	1	16-QAM	24.84	24.79	24.84	24.89	24.59	24.68	27.88	27.70	27.77	31.1	1.2972
90	1	243		24.77	24.78	24.49	24.63	24.56	24.57	27.71	27.68	27.54		
90	120	60		24.77	24.82	24.77	24.69	24.58	24.62	27.74	27.71	27.71		
Limit	Power < 2W			Result									Pass	

NR n41 Maximum Average Power [dBm], DG = 3.25 dBi														
BW (MHz)	RB Size	RB Offset	Mod	Antenna 0			Antenna 1			Combine			EIRP (dBm)	EIRP (W)
				Lowest	Middle	Highest	Lowest	Middle	Highest	Lowest	Middle	Highest		
100	1	1	BPSK	25.85	25.94	25.92	25.88	25.78	25.70	28.88	28.87	28.82	32.2	1.6520
100	1	271		25.91	25.87	25.81	25.81	25.68	25.78	28.87	28.79	28.81		
100	135	67		25.71	25.89	25.74	25.52	25.66	25.55	28.63	28.79	28.66		
100	1	1	QPSK	25.94	26.00	25.90	25.90	25.74	25.79	28.93	28.88	28.86		
100	1	271		25.98	26.00	25.95	25.77	25.78	25.87	28.89	28.90	28.92		
100	135	67		25.75	25.89	25.78	25.56	25.65	25.59	28.67	28.78	28.70		
100	1	1	16-QAM	24.81	24.96	24.99	24.84	24.81	24.71	27.84	27.90	27.86	31.2	1.3032
100	1	271		24.93	24.85	24.85	24.74	24.70	24.71	27.85	27.79	27.79		
100	135	67		24.72	24.87	24.68	24.60	24.58	24.56	27.67	27.74	27.63		
Limit	Power < 2W			Result									Pass	



Part270 NR n77 Maximum Average Power [dBm], DG = -1.3 dBi														
BW (MHz)	RB Size	RB Offset	Mod	Antenna 7			Antenna 1			Combine			EIRP (dBm)	EIRP (W)
				Lowest	Middle	Highest	Lowest	Middle	Highest	Lowest	Middle	Highest		
10	1	1	BPSK	25.04	25.15	24.83	25.26	25.18	25.08	28.16	28.18	27.97	27	0.5012
10	1	22		25.20	25.23	24.84	25.27	25.19	25.08	28.25	28.22	27.97		
10	12	6		25.16	25.22	24.91	25.25	25.17	25.13	28.22	28.21	28.03		
10	1	1	QPSK	25.16	25.21	24.86	25.26	25.20	25.11	28.22	28.22	28.00		
10	1	22		25.28	25.28	24.85	25.29	25.21	25.12	28.30	28.26	28.00		
10	12	6		25.15	25.21	24.86	25.28	25.20	25.11	28.23	28.22	28.00		
10	1	1	16-QAM	24.11	23.96	23.67	24.32	24.14	24.06	27.23	27.06	26.88	26	0.3972
10	1	22		24.23	23.94	23.68	24.33	24.13	24.02	27.29	27.05	26.86		
10	12	6		24.11	24.20	23.89	24.28	24.18	24.13	27.21	27.20	27.02		
Limit	EIRP < 1W			Result									Pass	

Part270 NR n77 Maximum Average Power [dBm], DG = -1.3 dBi														
BW (MHz)	RB Size	RB Offset	Mod	Antenna 7			Antenna 1			Combine			EIRP (dBm)	EIRP (W)
				Lowest	Middle	Highest	Lowest	Middle	Highest	Lowest	Middle	Highest		
15	1	1	BPSK	25.09	25.18	24.92	25.29	25.16	25.21	28.20	28.18	28.08	27	0.5023
15	1	36		25.19	25.28	24.83	25.23	25.22	25.14	28.22	28.26	28.00		
15	18	9		25.17	25.23	24.93	25.32	25.21	25.21	28.26	28.23	28.08		
15	1	1	QPSK	25.13	25.27	24.90	25.29	25.24	25.28	28.22	28.27	28.10		
15	1	36		25.25	25.34	24.80	25.31	25.25	25.22	28.29	28.31	28.03		
15	18	9		25.20	25.22	24.94	25.34	25.21	25.23	28.28	28.23	28.10		
15	1	1	16-QAM	23.92	24.20	23.91	24.32	24.15	24.18	27.13	27.19	27.06	26	0.3963
15	1	36		23.96	24.26	23.90	24.22	24.14	24.10	27.10	27.21	27.01		
15	18	9		24.25	24.21	23.94	24.29	24.27	24.20	27.28	27.25	27.08		
Limit	EIRP < 1W			Result									Pass	



Part270 NR n77 Maximum Average Power [dBm], DG = -1.3 dBi														
BW (MHz)	RB Size	RB Offset	Mod	Antenna 7			Antenna 1			Combine			EIRP (dBm)	EIRP (W)
				Lowest	Middle	Highest	Lowest	Middle	Highest	Lowest	Middle	Highest		
20	1	1	BPSK	25.07	25.20	24.89	25.32	25.20	25.14	28.21	28.21	28.03	27	0.5023
20	1	49		25.16	25.27	24.88	25.21	25.21	25.11	28.20	28.25	28.01		
20	25	12		25.23	25.22	24.91	25.36	25.20	25.20	28.31	28.22	28.07		
20	1	1	QPSK	25.15	25.18	24.92	25.40	25.23	25.19	28.29	28.22	28.07		
20	1	49		25.24	25.28	24.88	25.21	25.23	25.13	28.24	28.27	28.02		
20	25	12		25.22	25.22	24.88	25.36	25.19	25.21	28.30	28.22	28.06		
20	1	1	16-QAM	24.10	24.38	23.97	24.43	24.16	23.88	27.28	27.28	26.94	26.1	0.4036
20	1	49		24.16	24.48	23.97	24.29	24.21	23.88	27.24	27.36	26.94		
20	25	12		24.21	24.15	23.90	24.34	24.19	24.22	27.29	27.18	27.07		
Limit	EIRP < 1W			Result									Pass	

Part270 NR n77 Maximum Average Power [dBm], DG = -1.3 dBi														
BW (MHz)	RB Size	RB Offset	Mod	Antenna 7			Antenna 1			Combine			EIRP (dBm)	EIRP (W)
				Lowest	Middle	Highest	Lowest	Middle	Highest	Lowest	Middle	Highest		
25	1	1	BPSK	25.14	25.23	24.97	25.38	25.22	25.07	28.27	28.24	28.03	27	0.5058
25	1	63		25.15	25.30	24.88	25.21	25.27	25.12	28.19	28.30	28.01		
25	32	16		25.24	25.23	24.90	25.38	25.20	25.17	28.32	28.23	28.05		
25	1	1	QPSK	25.17	25.21	24.99	25.43	25.25	25.11	28.31	28.24	28.06		
25	1	63		25.18	25.29	24.93	25.23	25.28	25.17	28.22	28.30	28.06		
25	32	16		25.28	25.24	24.96	25.38	25.19	25.15	28.34	28.23	28.07		
25	1	1	16-QAM	24.23	24.20	24.03	24.44	24.31	23.93	27.35	27.27	26.99	26.1	0.4027
25	1	63		24.20	24.31	23.93	24.20	24.27	23.90	27.21	27.30	26.93		
25	32	16		24.28	24.19	23.92	24.35	24.18	24.18	27.33	27.20	27.06		
Limit	EIRP < 1W			Result									Pass	





Part27O NR n77 Maximum Average Power [dBm], DG = -1.3 dBi														
BW (MHz)	RB Size	RB Offset	Mod	Antenna 7			Antenna 1			Combine			EIRP (dBm)	EIRP (W)
				Lowest	Middle	Highest	Lowest	Middle	Highest	Lowest	Middle	Highest		
30	1	1	BPSK	25.03	25.22	25.04	25.21	25.21	25.14	28.13	28.23	28.10	27	0.5035
30	1	76		25.18	25.26	24.75	25.19	25.24	25.12	28.20	28.26	27.95		
30	36	18		25.17	25.22	24.94	25.22	25.20	25.25	28.21	28.22	28.11		
30	1	1	QPSK	25.10	25.23	25.10	25.27	25.23	25.18	28.20	28.24	28.15		
30	1	76		25.28	25.31	24.79	25.16	25.30	25.14	28.23	28.32	27.98		
30	36	18		25.19	25.20	24.90	25.23	25.21	25.28	28.22	28.22	28.10		
30	1	1	16-QAM	24.11	24.02	24.09	24.28	24.18	24.06	27.21	27.11	27.09	26	0.3945
30	1	76		24.27	24.06	23.80	24.23	24.11	24.02	27.26	27.10	26.92		
30	36	18		24.18	24.23	23.91	24.25	24.17	24.27	27.23	27.21	27.10		
Limit	EIRP < 1W			Result									Pass	

Part27O NR n77 Maximum Average Power [dBm], DG = -1.3 dBi														
BW (MHz)	RB Size	RB Offset	Mod	Antenna 7			Antenna 1			Combine			EIRP (dBm)	EIRP (W)
				Lowest	Middle	Highest	Lowest	Middle	Highest	Lowest	Middle	Highest		
40	1	1	BPSK	25.10	25.18	24.96	25.33	25.19	25.00	28.23	28.20	27.99	27.1	0.5070
40	1	104		25.12	25.26	24.83	25.16	25.28	25.13	28.15	28.28	27.99		
40	50	25		25.19	25.23	24.93	25.25	25.20	25.20	28.23	28.23	28.08		
40	1	1	QPSK	25.18	25.25	25.03	25.41	25.14	24.96	28.31	28.21	28.01		
40	1	104		25.20	25.36	24.94	25.30	25.32	25.13	28.26	28.35	28.05		
40	50	25		25.21	25.21	24.93	25.34	25.20	25.19	28.29	28.22	28.07		
40	1	1	16-QAM	23.99	23.87	23.90	24.32	23.99	24.04	27.17	26.94	26.98	25.9	0.3908
40	1	104		23.91	24.00	23.84	24.07	24.12	24.17	27.00	27.07	27.02		
40	50	25		24.21	24.18	23.94	24.20	24.18	24.17	27.22	27.19	27.07		
Limit	EIRP < 1W			Result									Pass	



Part270 NR n77 Maximum Average Power [dBm], DG = -1.3 dBi														
BW (MHz)	RB Size	RB Offset	Mod	Antenna 7			Antenna 1			Combine			EIRP (dBm)	EIRP (W)
				Lowest	Middle	Highest	Lowest	Middle	Highest	Lowest	Middle	Highest		
50	1	1	BPSK	25.03	25.23	24.98	25.21	25.18	25.21	28.13	28.22	28.11	27	0.5047
50	1	131		25.27	25.30	24.74	25.23	25.34	25.08	28.26	28.33	27.92		
50	64	32		25.14	25.25	25.05	25.12	25.21	25.14	28.14	28.24	28.11		
50	1	1	QPSK	25.02	25.25	25.00	25.28	25.23	25.22	28.16	28.25	28.12		
50	1	131		25.33	25.28	24.88	25.20	25.35	25.16	28.28	28.33	28.03		
50	64	32		25.14	25.22	24.99	25.18	25.20	25.21	28.17	28.22	28.11		
50	1	1	16-QAM	24.06	24.01	23.80	24.32	24.11	24.06	27.20	27.07	26.94	25.9	0.3890
50	1	131		24.12	24.01	23.66	24.04	24.23	23.90	27.09	27.13	26.79		
50	64	32		24.14	24.18	24.05	24.15	24.20	24.19	27.16	27.20	27.13		
Limit	EIRP < 1W			Result									Pass	

Part270 NR n77 Maximum Average Power [dBm], DG = -1.3 dBi														
BW (MHz)	RB Size	RB Offset	Mod	Antenna 1			Antenna 2			Combine			EIRP (dBm)	EIRP (W)
				Lowest	Middle	Highest	Lowest	Middle	Highest	Lowest	Middle	Highest		
60	1	1	BPSK	25.12	25.33	25.01	25.31	25.27	25.19	28.23	28.31	28.11	27	0.5058
60	1	160		25.11	25.22	24.98	25.19	25.43	25.24	28.16	28.34	28.12		
60	81	40		25.10	25.23	25.09	25.24	25.17	25.08	28.18	28.21	28.10		
60	1	1	QPSK	25.14	25.32	25.06	25.31	25.24	25.23	28.24	28.29	28.16		
60	1	160		25.10	25.28	25.05	25.28	25.37	25.19	28.20	28.34	28.13		
60	81	40		25.18	25.20	25.03	25.18	25.18	25.12	28.19	28.20	28.09		
60	1	1	16-QAM	24.06	24.17	24.01	24.30	24.11	24.19	27.19	27.15	27.11	26.1	0.4036
60	1	160		24.31	24.31	24.03	24.28	24.39	24.00	27.31	27.36	27.03		
60	81	40		24.13	24.27	24.03	24.26	24.23	24.10	27.21	27.26	27.08		
Limit	EIRP < 1W			Result									Pass	



Part270 NR n77 Maximum Average Power [dBm], DG = -1.3 dBi														
BW (MHz)	RB Size	RB Offset	Mod	Antenna 7			Antenna 1			Combine			EIRP (dBm)	EIRP (W)
				Lowest	Middle	Highest	Lowest	Middle	Highest	Lowest	Middle	Highest		
70	1	1	BPSK	24.98	25.27	25.17	25.22	25.21	25.20	28.11	28.25	28.20	27.1	0.5093
70	1	187		25.31	25.21	25.08	25.27	25.36	25.20	28.30	28.30	28.15		
70	90	45		25.07	25.23	24.95	25.08	25.21	24.94	28.09	28.23	27.96		
70	1	1	QPSK	25.05	25.25	25.17	25.20	25.28	25.20	28.14	28.28	28.20		
70	1	187		25.37	25.27	25.11	25.19	25.44	25.18	28.29	28.37	28.16		
70	90	45		25.08	25.22	24.95	25.05	25.19	24.91	28.08	28.22	27.94		
70	1	1	16-QAM	23.96	24.12	24.23	24.19	24.08	24.30	27.09	27.11	27.28	26.1	0.4074
70	1	187		24.24	24.14	24.37	24.21	24.14	24.41	27.24	27.15	27.40		
70	90	45		24.09	24.22	23.91	24.08	24.19	23.88	27.10	27.22	26.91		
Limit	EIRP < 1W			Result									Pass	

Part270 NR n77 Maximum Average Power [dBm], DG = -1.3 dBi														
BW (MHz)	RB Size	RB Offset	Mod	Antenna 7			Antenna 1			Combine			EIRP (dBm)	EIRP (W)
				Lowest	Middle	Highest	Lowest	Middle	Highest	Lowest	Middle	Highest		
80	1	1	BPSK	25.14	25.25	25.15	25.33	25.22	2.43	28.25	28.25	25.17	27	0.5000
80	1	215		25.24	25.19	24.94	25.18	25.25	25.07	28.22	28.23	28.02		
80	108	54		25.14	25.23	24.92	25.15	25.16	25.09	28.16	28.21	28.02		
80	1	1	QPSK	25.13	25.26	25.22	25.39	25.21	2.46	28.27	28.25	25.24		
80	1	215		25.19	25.27	24.96	25.20	25.29	24.94	28.21	28.29	27.96		
80	108	54		25.08	25.26	24.92	25.16	25.17	25.09	28.13	28.23	28.02		
80	1	1	16-QAM	23.98	24.09	24.32	24.32	23.85	23.91	27.16	26.98	27.13	25.9	0.3926
80	1	215		24.20	24.08	23.78	24.26	24.22	24.20	27.24	27.16	27.01		
80	108	54		24.12	24.24	23.92	24.13	24.15	24.11	27.14	27.21	27.03		
Limit	EIRP < 1W			Result									Pass	



Part270 NR n77 Maximum Average Power [dBm], DG = -1.3 dBi														
BW (MHz)	RB Size	RB Offset	Mod	Antenna 7			Antenna 1			Combine			EIRP (dBm)	EIRP (W)
				Lowest	Middle	Highest	Lowest	Middle	Highest	Lowest	Middle	Highest		
90	1	1	BPSK	25.09	25.32	25.42	25.25	25.22	25.49	28.18	28.28	28.47	27.2	0.5224
90	1	243		25.39	25.25	24.96	25.37	25.25	25.30	28.39	28.26	28.14		
90	120	60		25.16	25.30	25.07	25.08	25.35	25.29	28.13	28.34	28.19		
90	1	1	QPSK	25.04	25.35	25.41	25.38	25.32	25.53	28.22	28.35	28.48		
90	1	243		25.41	25.36	25.01	25.44	25.54	25.33	28.44	28.46	28.18		
90	120	60		25.11	25.30	25.06	25.06	25.34	25.28	28.10	28.33	28.18		
90	1	1	16-QAM	24.08	24.33	24.02	24.13	24.41	24.39	27.12	27.38	27.22	26.2	0.4159
90	1	243		24.60	24.42	23.54	24.35	24.53	24.21	27.49	27.49	26.90		
90	120	60		24.17	24.32	24.08	24.07	24.34	24.28	27.13	27.34	27.19		
Limit	EIRP < 1W			Result									Pass	

Part270 NR n77 Maximum Average Power [dBm], DG = -1.3 dBi														
BW (MHz)	RB Size	RB Offset	Mod	Antenna 7			Antenna 1			Combine			EIRP (dBm)	EIRP (W)
				Lowest	Middle	Highest	Lowest	Middle	Highest	Lowest	Middle	Highest		
100	1	1	BPSK	25.27	25.43	25.33	25.62	25.48	25.50	28.46	28.47	28.43	27.3	0.5383
100	1	271		25.44	25.43	25.14	25.64	25.64	25.52	28.55	28.55	28.34		
100	135	67		25.34	25.33	25.04	25.39	25.38	25.32	28.38	28.37	28.19		
100	1	1	QPSK	25.28	25.55	25.40	25.72	25.49	25.50	28.52	28.53	28.46		
100	1	271		25.41	25.58	25.30	25.75	25.61	25.52	28.59	28.61	28.42		
100	135	67		25.31	25.30	25.06	25.41	25.37	25.32	28.37	28.35	28.20		
100	1	1	16-QAM	24.40	24.48	24.20	24.77	24.39	24.40	27.60	27.45	27.31	26.4	0.4365
100	1	271		24.52	24.50	24.18	24.85	24.55	24.51	27.70	27.54	27.36		
100	135	67		24.33	24.33	24.07	24.40	24.38	24.33	27.38	27.37	27.21		
Limit	EIRP < 1W			Result									Pass	



Part27Q NR n77 Maximum Average Power [dBm], DG = -1.3 dBi														
BW (MHz)	RB Size	RB Offset	Mod	Antenna 7			Antenna 1			Combine			EIRP (dBm)	EIRP (W)
				Lowest	Middle	Highest	Lowest	Middle	Highest	Lowest	Middle	Highest		
10	1	1	BPSK	25.45	25.40	25.45	25.58	25.53	25.65	28.53	28.48	28.56	27.3	0.5408
10	1	22		25.33	25.37	25.46	25.56	25.48	25.68	28.46	28.44	28.58		
10	12	6		25.40	25.37	25.48	25.59	25.50	25.70	28.51	28.45	28.60		
10	1	1	QPSK	25.39	25.49	25.52	25.63	25.57	25.62	28.52	28.54	28.58		
10	1	22		25.34	25.44	25.54	25.65	25.53	25.70	28.51	28.50	28.63		
10	12	6		25.38	25.36	25.48	25.57	25.48	25.67	28.49	28.43	28.59		
10	1	1	16-QAM	24.28	24.38	24.56	24.42	24.44	24.64	27.36	27.42	27.61	26.3	0.4285
10	1	22		24.31	24.37	24.55	24.52	24.41	24.67	27.43	27.40	27.62		
10	12	6		24.36	24.33	24.48	24.60	24.49	24.70	27.49	27.42	27.60		
Limit	EIRP < 1W			Result									Pass	

Part27Q NR n77 Maximum Average Power [dBm], DG = -1.3 dBi														
BW (MHz)	RB Size	RB Offset	Mod	Antenna 7			Antenna 1			Combine			EIRP (dBm)	EIRP (W)
				Lowest	Middle	Highest	Lowest	Middle	Highest	Lowest	Middle	Highest		
15	1	1	BPSK	25.47	25.43	25.39	25.62	25.59	25.56	28.56	28.52	28.49	27.3	0.5358
15	1	36		25.31	25.37	25.44	25.61	25.51	25.63	28.47	28.45	28.55		
15	18	9		25.38	25.38	25.42	25.62	25.49	25.61	28.51	28.45	28.53		
15	1	1	QPSK	25.49	25.45	25.45	25.63	25.65	25.60	28.57	28.56	28.54		
15	1	36		25.34	25.41	25.48	25.66	25.52	25.68	28.51	28.48	28.59		
15	18	9		25.39	25.38	25.42	25.66	25.51	25.62	28.54	28.46	28.53		
15	1	1	16-QAM	24.45	24.40	24.45	24.61	24.51	24.48	27.54	27.47	27.48	26.3	0.4236
15	1	36		24.29	24.37	24.55	24.66	24.44	24.56	27.49	27.42	27.57		
15	18	9		24.40	24.38	24.42	24.63	24.51	24.59	27.53	27.46	27.52		
Limit	EIRP < 1W			Result									Pass	



Part27Q NR n77 Maximum Average Power [dBm], DG = -1.3 dBi														
BW (MHz)	RB Size	RB Offset	Mod	Antenna 7			Antenna 1			Combine			EIRP (dBm)	EIRP (W)
				Lowest	Middle	Highest	Lowest	Middle	Highest	Lowest	Middle	Highest		
20	1	1	BPSK	25.52	25.44	25.31	25.65	25.66	25.47	28.60	28.56	28.40	27.4	0.5470
20	1	49		25.39	25.40	25.40	25.71	25.46	25.56	28.56	28.44	28.49		
20	25	12		25.45	25.38	25.35	25.71	25.47	25.52	28.59	28.44	28.45		
20	1	1	QPSK	25.58	25.49	25.42	25.75	25.67	25.48	28.68	28.59	28.46		
20	1	49		25.46	25.39	25.50	25.73	25.56	25.64	28.61	28.49	28.58		
20	25	12		25.41	25.38	25.36	25.70	25.51	25.51	28.57	28.46	28.45		
20	1	1	16-QAM	24.41	24.53	24.25	24.53	24.57	24.43	27.48	27.56	27.35	26.3	0.4227
20	1	49		24.27	24.45	24.34	24.63	24.47	24.56	27.46	27.47	27.46		
20	25	12		24.42	24.36	24.35	24.68	24.52	24.48	27.56	27.45	27.43		
Limit	EIRP < 1W			Result									Pass	

Part27Q NR n77 Maximum Average Power [dBm], DG = -1.3 dBi														
BW (MHz)	RB Size	RB Offset	Mod	Antenna 7			Antenna 1			Combine			EIRP (dBm)	EIRP (W)
				Lowest	Middle	Highest	Lowest	Middle	Highest	Lowest	Middle	Highest		
25	1	1	BPSK	25.56	25.49	25.27	25.74	25.67	25.45	28.66	28.59	28.37	27.4	0.5508
25	1	63		25.46	25.35	25.38	25.80	25.51	25.54	28.64	28.44	28.47		
25	32	16		25.48	25.43	25.34	25.77	25.52	25.42	28.64	28.49	28.39		
25	1	1	QPSK	25.62	25.54	25.28	25.78	25.70	25.42	28.71	28.63	28.36		
25	1	63		25.48	25.38	25.42	25.86	25.53	25.57	28.68	28.47	28.51		
25	32	16		25.47	25.41	25.33	25.73	25.50	25.45	28.61	28.47	28.40		
25	1	1	16-QAM	24.55	24.23	24.45	24.65	24.71	24.34	27.61	27.49	27.41	26.3	0.4295
25	1	63		24.38	24.15	24.55	24.70	24.60	24.46	27.55	27.39	27.52		
25	32	16		24.45	24.39	24.37	24.79	24.48	24.48	27.63	27.45	27.44		
Limit	EIRP < 1W			Result									Pass	



Part27Q NR n77 Maximum Average Power [dBm], DG = -1.3 dBi														
BW (MHz)	RB Size	RB Offset	Mod	Antenna 7			Antenna 1			Combine			EIRP (dBm)	EIRP (W)
				Lowest	Middle	Highest	Lowest	Middle	Highest	Lowest	Middle	Highest		
30	1	1	BPSK	25.44	25.48	25.36	25.50	25.64	25.55	28.48	28.57	28.47	27.3	0.5420
30	1	76		25.43	25.38	25.46	25.61	25.55	25.67	28.53	28.48	28.58		
30	36	18		25.32	25.44	25.49	25.58	25.50	25.67	28.46	28.48	28.59		
30	1	1	QPSK	25.56	25.55	25.42	25.52	25.71	25.59	28.55	28.64	28.52		
30	1	76		25.49	25.47	25.52	25.61	25.53	25.69	28.56	28.51	28.62		
30	36	18		25.33	25.39	25.45	25.56	25.53	25.65	28.46	28.47	28.56		
30	1	1	16-QAM	24.55	24.43	24.41	24.42	24.61	24.54	27.50	27.53	27.49	26.3	0.4266
30	1	76		24.60	24.31	24.36	24.46	24.48	24.63	27.54	27.41	27.51		
30	36	18		24.29	24.44	24.52	24.60	24.53	24.65	27.46	27.50	27.60		
Limit	EIRP < 1W			Result									Pass	

Part27Q NR n77 Maximum Average Power [dBm], DG = -1.3 dBi														
BW (MHz)	RB Size	RB Offset	Mod	Antenna 7			Antenna 1			Combine			EIRP (dBm)	EIRP (W)
				Lowest	Middle	Highest	Lowest	Middle	Highest	Lowest	Middle	Highest		
40	1	1	BPSK	25.54	25.44	25.35	25.63	25.65	25.49	28.60	28.56	28.43	27.4	0.5458
40	1	104		25.55	25.33	25.40	25.72	25.57	25.63	28.65	28.46	28.53		
40	50	25		25.35	25.42	25.30	25.70	25.49	25.49	28.54	28.47	28.41		
40	1	1	QPSK	25.56	25.47	25.32	25.63	25.68	25.48	28.61	28.59	28.41		
40	1	104		25.60	25.37	25.45	25.72	25.52	25.72	28.67	28.46	28.60		
40	50	25		25.40	25.41	25.36	25.73	25.49	25.53	28.58	28.46	28.46		
40	1	1	16-QAM	24.53	24.46	24.38	24.66	24.56	24.42	27.61	27.52	27.41	26.3	0.4295
40	1	104		24.49	24.34	24.41	24.74	24.44	24.51	27.63	27.40	27.47		
40	50	25		24.39	24.36	24.31	24.73	24.52	24.49	27.57	27.45	27.41		
Limit	EIRP < 1W			Result									Pass	



Part27Q NR n77 Maximum Average Power [dBm], DG = -1.3 dBi														
BW (MHz)	RB Size	RB Offset	Mod	Antenna 7			Antenna 1			Combine			EIRP (dBm)	EIRP (W)
				Lowest	Middle	Highest	Lowest	Middle	Highest	Lowest	Middle	Highest		
50	1	1	BPSK	25.44	25.38	25.33	25.54	25.69	25.38	28.50	28.55	28.37	27.3	0.5346
50	1	131		25.43	25.34	25.41	25.47	25.53	25.59	28.46	28.45	28.51		
50	64	32		25.27	25.44	25.22	25.57	25.47	25.42	28.43	28.47	28.33		
50	1	1	QPSK	25.56	25.40	25.38	25.51	25.61	25.33	28.55	28.52	28.37		
50	1	131		25.50	25.41	25.51	25.59	25.53	25.62	28.56	28.48	28.58		
50	64	32		25.31	25.40	25.26	25.60	25.51	25.45	28.47	28.47	28.37		
50	1	1	16-QAM	24.17	24.48	23.94	24.42	24.78	24.18	27.31	27.64	27.07	26.3	0.4305
50	1	131		24.22	24.39	24.37	24.37	24.57	24.54	27.31	27.49	27.47		
50	64	32		24.25	24.36	24.22	24.60	24.45	24.35	27.44	27.42	27.30		
Limit	EIRP < 1W			Result									Pass	

Part27Q NR n77 Maximum Average Power [dBm], DG = -1.3 dBi														
BW (MHz)	RB Size	RB Offset	Mod	Antenna 7			Antenna 1			Combine			EIRP (dBm)	EIRP (W)
				Lowest	Middle	Highest	Lowest	Middle	Highest	Lowest	Middle	Highest		
60	1	1	BPSK	25.54	25.41	25.51	25.70	25.69	25.73	28.63	28.56	28.63	27.3	0.5408
60	1	160		25.43	25.43	25.51	25.55	25.59	25.71	28.50	28.52	28.62		
60	81	40		25.41	25.40	25.32	25.63	25.52	25.54	28.53	28.47	28.44		
60	1	1	QPSK	25.55	25.48	25.57	25.66	25.69	25.63	28.62	28.60	28.61		
60	1	160		25.49	25.43	25.49	25.58	25.58	25.73	28.55	28.52	28.62		
60	81	40		25.49	25.54	25.34	25.70	25.53	25.58	28.61	28.55	28.47		
60	1	1	16-QAM	24.49	24.32	24.66	24.65	24.49	24.74	27.58	27.42	27.71	26.4	0.4375
60	1	160		24.54	24.40	24.53	24.55	24.46	24.77	27.56	27.44	27.66		
60	81	40		24.44	24.38	24.35	24.70	24.50	24.51	27.58	27.45	27.44		
Limit	EIRP < 1W			Result									Pass	





Part27Q NR n77 Maximum Average Power [dBm], DG = -1.3 dBi														
BW (MHz)	RB Size	RB Offset	Mod	Antenna 7			Antenna 1			Combine			EIRP (dBm)	EIRP (W)
				Lowest	Middle	Highest	Lowest	Middle	Highest	Lowest	Middle	Highest		
70	1	1	BPSK	24.98	25.45	25.56	25.61	25.68	25.81	28.32	28.58	28.70	27.4	0.5521
70	1	187		25.43	25.43	25.44	25.61	25.65	25.70	28.53	28.55	28.58		
70	90	45		24.81	25.42	25.50	25.52	25.54	25.64	28.19	28.49	28.58		
70	1	1	QPSK	25.62	25.42	25.62	25.65	25.69	25.80	28.65	28.57	28.72		
70	1	187		25.48	25.47	25.45	25.61	25.71	25.76	28.56	28.60	28.62		
70	90	45		25.39	24.17	24.91	25.57	25.53	25.67	28.49	27.91	28.32		
70	1	1	16-QAM	24.80	24.22	24.86	24.79	24.92	24.75	27.81	27.59	27.82	26.5	0.4487
70	1	187		24.70	24.16	24.61	24.80	24.68	24.72	27.76	27.44	27.68		
70	90	45		24.38	24.41	24.49	24.56	24.51	24.65	27.48	27.47	27.58		
Limit	EIRP < 1W			Result									Pass	

Part27Q NR n77 Maximum Average Power [dBm], DG = -1.3 dBi														
BW (MHz)	RB Size	RB Offset	Mod	Antenna 7			Antenna 1			Combine			EIRP (dBm)	EIRP (W)
				Lowest	Middle	Highest	Lowest	Middle	Highest	Lowest	Middle	Highest		
80	1	1	BPSK	25.62	25.47	25.44	25.69	25.70	25.76	28.67	28.60	28.61	27.4	0.5534
80	1	215		25.45	25.47	25.53	25.69	25.69	25.76	28.58	28.59	28.66		
80	108	54		25.02	25.42	25.46	25.67	25.51	25.57	28.37	28.48	28.53		
80	1	1	QPSK	25.69	25.47	25.42	25.74	25.73	25.80	28.73	28.61	28.62		
80	1	215		25.48	25.52	25.52	25.72	25.76	25.78	28.61	28.65	28.66		
80	108	54		25.53	25.42	25.47	25.67	25.47	25.58	28.61	28.46	28.54		
80	1	1	16-QAM	24.75	24.38	24.35	24.65	24.65	24.61	27.71	27.53	27.49	26.4	0.4375
80	1	215		24.63	24.40	24.32	24.52	24.62	24.51	27.59	27.52	27.43		
80	108	54		24.51	24.43	23.98	24.67	24.52	24.64	27.60	27.49	27.33		
Limit	EIRP < 1W			Result									Pass	



Part27Q NR n77 Maximum Average Power [dBm], DG = -1.3 dBi														
BW (MHz)	RB Size	RB Offset	Mod	Antenna 7			Antenna 1			Combine			EIRP (dBm)	EIRP (W)
				Lowest	Middle	Highest	Lowest	Middle	Highest	Lowest	Middle	Highest		
90	1	1	BPSK	25.62	25.55	25.55	25.66	25.72	25.80	28.65	28.65	28.69	27.4	0.5534
90	1	243		25.62	25.50	25.46	25.71	25.73	25.76	28.68	28.63	28.62		
90	120	60		25.42	25.44	25.55	25.49	25.54	25.65	28.47	28.50	28.61		
90	1	1	QPSK	25.68	25.62	25.57	25.72	25.74	25.81	28.71	28.69	28.70		
90	1	243		25.67	25.62	25.50	25.76	25.81	25.77	28.73	28.73	28.65		
90	120	60		25.41	25.44	25.55	25.48	25.55	25.67	28.46	28.51	28.62		
90	1	1	16-QAM	24.61	24.42	24.37	24.64	24.73	24.68	27.64	27.59	27.54	26.3	0.4305
90	1	243		24.54	24.46	24.30	24.67	24.73	24.65	27.62	27.61	27.49		
90	120	60		24.40	24.40	24.53	24.45	24.52	24.65	27.44	27.47	27.60		
Limit	EIRP < 1W			Result									Pass	

Part27Q NR n77 Maximum Average Power [dBm], DG = -1.3 dBi														
BW (MHz)	RB Size	RB Offset	Mod	Antenna 7			Antenna 1			Combine			EIRP (dBm)	EIRP (W)
				Lowest	Middle	Highest	Lowest	Middle	Highest	Lowest	Middle	Highest		
100	1	1	BPSK	-	25.69	-	-	25.80	-	-	28.76	-	27.5	0.5572
100	1	271		-	25.64	-	-	25.86	-	-	28.76	-		
100	135	67		-	25.45	-	-	25.51	-	-	28.49	-		
100	1	1	QPSK	-	25.28	-	-	25.83	-	-	28.57	-		
100	1	271		-	25.59	-	-	25.90	-	-	28.76	-		
100	135	67		-	25.46	-	-	25.53	-	-	28.51	-		
100	1	1	16-QAM	-	24.09	-	-	24.66	-	-	27.39	-	26.4	0.4315
100	1	271		-	24.51	-	-	24.76	-	-	27.65	-		
100	135	67		-	24.45	-	-	24.53	-	-	27.50	-		
Limit	EIRP < 1W			Result									Pass	



<MIMO Mode>

NR n41 Maximum Average Power [dBm], DG = -1 dBi														
BW (MHz)	RB Size	RB Offset	Mod	Antenna 2			Antenna 1			Combine			EIRP (dBm)	EIRP (W)
				Lowest	Middle	Highest	Lowest	Middle	Highest	Lowest	Middle	Highest		
10	1	1	QPSK	21.35	21.50	20.90	21.58	22.07	21.72	24.48	24.80	24.34	23.80	0.2399
10	1	22		21.39	21.52	21.00	21.57	21.96	21.57	24.49	24.76	24.30		
10	12	6		21.46	21.55	21.20	21.59	21.91	21.66	24.54	24.74	24.45		
10	1	0		19.32	19.40	19.04	19.50	19.87	19.65	22.42	22.65	22.37		
10	1	23		19.39	19.46	18.95	19.47	19.93	19.54	22.44	22.71	22.27		
10	24	0		19.91	20.01	19.56	20.05	20.53	20.14	22.99	23.29	22.87		
10	1	1	16-QAM	21.09	21.37	20.56	20.71	21.25	21.38	23.91	24.32	24.00	23.32	0.2148
10	1	1	64-QAM	19.50	19.67	18.78	19.42	19.96	19.78	22.47	22.83	22.32		
10	1	1	256-QAM	16.24	16.89	16.01	16.74	17.07	16.51	19.51	19.99	19.28		
Limit	Power < 2W			Result									Pass	

NR n41 Maximum Average Power [dBm], DG = -1 dBi														
BW (MHz)	RB Size	RB Offset	Mod	Antenna 2			Antenna 1			Combine			EIRP (dBm)	EIRP (W)
				Lowest	Middle	Highest	Lowest	Middle	Highest	Lowest	Middle	Highest		
15	1	1	QPSK	21.61	21.43	21.33	21.53	21.88	21.76	24.58	24.67	24.56	23.77	0.2382
15	1	36		21.45	21.54	21.17	21.68	21.91	21.88	24.58	24.74	24.55		
15	19	9		21.48	21.60	21.24	21.68	21.91	21.91	24.59	24.77	24.60		
15	1	0		19.36	19.37	19.23	19.60	20.00	19.69	22.49	22.71	22.48		
15	1	37		19.43	19.48	19.11	19.67	19.98	19.82	22.56	22.75	22.49		
15	38	0		19.93	19.98	19.75	20.11	20.40	20.39	23.03	23.21	23.09		
15	1	1	16-QAM	21.09	20.97	20.93	21.13	21.56	21.45	24.12	24.29	24.21	23.29	0.2133
15	1	1	64-QAM	19.42	19.53	19.40	19.23	20.00	19.92	22.34	22.78	22.68		
15	1	1	256-QAM	16.24	16.52	16.25	16.99	16.88	16.85	19.64	19.71	19.57		
Limit	Power < 2W			Result									Pass	

NR n41 Maximum Average Power [dBm], DG = -1 dBi														
BW (MHz)	RB Size	RB Offset	Mod	Antenna 2			Antenna 1			Combine			EIRP (dBm)	EIRP (W)
				Lowest	Middle	Highest	Lowest	Middle	Highest	Lowest	Middle	Highest		
20	1	1	QPSK	21.29	21.38	21.23	21.42	21.87	21.71	24.37	24.64	24.49	23.80	0.2399
20	1	49		21.30	21.43	21.19	21.30	21.96	21.79	24.31	24.71	24.51		
20	25	12		21.31	21.56	21.25	21.45	22.00	21.88	24.39	24.80	24.59		
20	1	0		19.22	19.34	19.15	19.38	19.99	19.67	22.31	22.69	22.43		
20	1	50		19.25	19.38	19.10	19.31	19.91	19.79	22.29	22.66	22.47		
20	51	0		19.86	19.98	19.73	19.92	20.44	20.35	22.90	23.23	23.06		
20	1	1	16-QAM	21.06	21.07	20.81	20.79	21.36	21.20	23.94	24.23	24.02	23.23	0.2104
20	1	1	64-QAM	19.20	19.15	19.27	19.62	19.93	19.79	22.43	22.57	22.55		
20	1	1	256-QAM	16.29	16.35	16.29	16.43	17.14	16.80	19.37	19.77	19.56		
Limit	Power < 2W			Result									Pass	



NR n41 Maximum Average Power [dBm], DG = -1 dBi														
BW (MHz)	RB Size	RB Offset	Mod	Antenna 2			Antenna 1			Combine			EIRP (dBm)	EIRP (W)
				Lowest	Middle	Highest	Lowest	Middle	Highest	Lowest	Middle	Highest		
30	1	1	QPSK	21.38	21.47	21.44	21.58	22.04	21.89	24.49	24.77	24.68	23.78	0.2388
30	1	76		21.29	21.42	21.23	21.59	21.88	22.00	24.45	24.67	24.64		
30	39	19		21.41	21.54	21.40	21.60	21.98	21.94	24.52	24.78	24.69		
30	1	0		19.37	19.45	19.35	19.59	20.10	19.77	22.49	22.80	22.58		
30	1	77		19.31	19.50	19.32	19.62	19.85	19.86	22.48	22.69	22.61		
30	78	0		19.87	19.98	19.84	20.08	20.55	20.36	22.99	23.28	23.12		
30	1	1	16-QAM	20.91	21.09	21.01	21.29	21.72	21.40	24.11	24.43	24.22	23.43	0.2203
30	1	1	64-QAM	19.29	19.58	19.44	19.47	19.92	20.01	22.39	22.76	22.74		
30	1	1	256-QAM	16.35	16.40	16.20	16.78	17.34	16.95	19.58	19.91	19.60		
Limit	Power < 2W			Result									Pass	

NR n41 Maximum Average Power [dBm], DG = -1 dBi														
BW (MHz)	RB Size	RB Offset	Mod	Antenna 2			Antenna 1			Combine			EIRP (dBm)	EIRP (W)
				Lowest	Middle	Highest	Lowest	Middle	Highest	Lowest	Middle	Highest		
40	1	1	QPSK	21.26	21.57	21.40	21.43	22.02	21.88	24.36	24.81	24.66	23.81	0.2404
40	1	76		21.30	21.48	21.30	21.43	21.87	21.98	24.38	24.69	24.66		
40	39	19		21.35	21.52	21.27	21.40	21.98	21.79	24.39	24.77	24.55		
40	1	0		19.24	19.42	19.41	19.43	19.98	19.63	22.35	22.72	22.53		
40	1	77		19.31	19.39	19.25	19.40	19.81	19.86	22.37	22.62	22.58		
40	78	0		19.80	20.01	19.73	19.96	20.52	20.29	22.89	23.28	23.03		
40	1	1	16-QAM	20.92	21.06	20.90	21.05	21.48	21.11	24.00	24.29	24.02	23.29	0.2133
40	1	1	64-QAM	19.47	19.41	19.52	19.59	19.88	19.86	22.54	22.66	22.70		
40	1	1	256-QAM	16.24	16.57	16.34	16.63	17.08	16.71	19.45	19.84	19.54		
Limit	Power < 2W			Result									Pass	



NR n41 Maximum Average Power [dBm], DG = -1 dBi														
BW (MHz)	RB Size	RB Offset	Mod	Antenna 2			Antenna 1			Combine			EIRP (dBm)	EIRP (W)
				Lowest	Middle	Highest	Lowest	Middle	Highest	Lowest	Middle	Highest		
50	1	1	QPSK	21.36	21.53	21.48	21.51	22.06	21.98	24.45	24.81	24.75	23.81	0.2404
50	1	131		21.36	21.50	21.25	21.41	21.90	22.04	24.40	24.71	24.67		
50	67	33		21.39	21.51	21.42	21.54	22.01	21.93	24.48	24.78	24.69		
50	1	0		19.34	19.47	19.49	19.57	19.99	19.96	22.47	22.75	22.74		
50	1	132		19.32	19.43	19.19	19.40	19.87	19.95	22.37	22.67	22.60		
50	133	0		19.92	19.99	19.88	20.03	20.47	20.44	22.99	23.25	23.18		
50	1	1	16-QAM	21.11	21.05	20.97	21.19	21.52	21.43	24.16	24.30	24.22	23.30	0.2138
50	1	1	64-QAM	19.35	19.45	19.59	19.85	19.97	20.01	22.62	22.73	22.82		
50	1	1	256-QAM	16.32	16.51	16.72	16.82	17.23	16.94	19.59	19.90	19.84		
Limit	Power < 2W			Result									Pass	

NR n41 Maximum Average Power [dBm], DG = -1 dBi														
BW (MHz)	RB Size	RB Offset	Mod	Antenna 2			Antenna 1			Combine			EIRP (dBm)	EIRP (W)
				Lowest	Middle	Highest	Lowest	Middle	Highest	Lowest	Middle	Highest		
60	1	1	QPSK	21.43	21.48	21.39	21.42	22.03	21.92	24.44	24.77	24.67	23.80	0.2399
60	1	160		21.53	21.47	21.22	21.58	22.04	21.96	24.57	24.77	24.62		
60	81	40		21.27	21.55	21.29	21.46	22.02	21.82	24.38	24.80	24.57		
60	1	0		19.37	19.47	19.30	19.52	20.03	19.78	22.46	22.77	22.56		
60	1	161		19.45	19.40	19.13	19.54	19.97	19.88	22.51	22.70	22.53		
60	162	0		19.80	19.99	19.75	19.90	20.47	20.34	22.86	23.25	23.07		
60	1	1	16-QAM	20.92	20.94	20.74	21.00	21.60	21.38	23.97	24.29	24.08	23.29	0.2133
60	1	1	64-QAM	19.25	19.36	19.24	19.48	20.04	19.90	22.38	22.72	22.59		
60	1	1	256-QAM	16.38	16.53	16.25	16.61	17.15	17.07	19.51	19.86	19.69		
Limit	Power < 2W			Result									Pass	



NR n41 Maximum Average Power [dBm], DG = -1 dBi														
BW (MHz)	RB Size	RB Offset	Mod	Antenna 2			Antenna 1			Combine			EIRP (dBm)	EIRP (W)
				Lowest	Middle	Highest	Lowest	Middle	Highest	Lowest	Middle	Highest		
70	1	1	QPSK	21.32	21.50	21.42	21.58	22.10	21.88	24.46	24.82	24.67	23.82	0.2410
70	1	187		21.44	21.52	21.37	21.74	21.95	21.96	24.60	24.75	24.69		
70	95	47		21.39	21.58	21.23	21.35	22.02	21.69	24.38	24.82	24.48		
70	1	0		16.42	19.42	19.37	17.09	19.87	19.64	19.78	22.66	22.52		
70	1	188		19.48	19.61	19.24	19.63	20.01	20.00	22.57	22.82	22.65		
70	189	0		19.83	20.05	19.80	20.04	20.59	20.29	22.95	23.34	23.06		
70	1	1	16-QAM	20.84	21.02	20.84	20.99	21.42	21.12	23.93	24.23	23.99	23.23	0.2104
70	1	1	64-QAM	19.27	19.22	19.47	20.00	20.05	20.10	22.66	22.67	22.81		
70	1	1	256-QAM	16.71	16.54	16.38	16.81	17.29	16.99	19.77	19.94	19.71		
Limit	Power < 2W			Result									Pass	

NR n41 Maximum Average Power [dBm], DG = -1 dBi														
BW (MHz)	RB Size	RB Offset	Mod	Antenna 2			Antenna 1			Combine			EIRP (dBm)	EIRP (W)
				Lowest	Middle	Highest	Lowest	Middle	Highest	Lowest	Middle	Highest		
80	1	1	QPSK	21.38	21.63	21.49	21.68	22.18	21.94	24.54	24.92	24.73	23.92	0.2466
80	1	215		21.44	21.48	21.34	21.73	22.15	22.15	24.60	24.84	24.77		
80	109	54		21.24	21.61	21.32	21.39	22.08	21.96	24.33	24.86	24.66		
80	1	0		19.35	19.49	19.51	19.55	20.10	19.80	22.46	22.82	22.67		
80	1	216		19.44	19.65	19.15	19.60	20.09	20.05	22.53	22.89	22.63		
80	217	0		19.90	20.05	19.91	20.01	20.48	20.38	22.97	23.28	23.16		
80	1	1	16-QAM	20.87	20.98	21.12	21.26	21.48	20.65	24.08	24.25	23.90	23.25	0.2113
80	1	1	64-QAM	19.37	19.66	19.43	19.82	20.06	19.97	22.61	22.87	22.72		
80	1	1	256-QAM	16.33	16.38	16.68	16.71	17.27	16.91	19.53	19.86	19.81		
Limit	Power < 2W			Result									Pass	



NR n41 Maximum Average Power [dBm], DG = -1 dBi														
BW (MHz)	RB Size	RB Offset	Mod	Antenna 2			Antenna 1			Combine			EIRP (dBm)	EIRP (W)
				Lowest	Middle	Highest	Lowest	Middle	Highest	Lowest	Middle	Highest		
90	1	1	QPSK	21.45	21.74	21.68	21.50	22.11	21.90	24.49	24.94	24.80	23.94	0.2477
90	1	243		21.67	21.65	21.29	21.56	22.14	22.01	24.63	24.91	24.68		
90	123	61		21.42	21.60	21.40	21.58	22.07	21.96	24.51	24.85	24.70		
90	1	0		19.47	19.63	19.77	19.56	20.06	19.89	22.53	22.86	22.84		
90	1	244		19.46	19.68	19.32	19.63	19.92	19.98	22.56	22.81	22.67		
90	245	0		19.88	20.03	19.90	20.12	20.48	20.47	23.01	23.27	23.20		
90	1	1	16-QAM	20.72	21.07	21.15	21.18	21.40	21.44	23.97	24.25	24.31	23.31	0.2143
90	1	1	64-QAM	19.69	19.56	19.82	19.94	19.66	19.90	22.83	22.62	22.87		
90	1	1	256-QAM	16.61	16.58	16.57	16.70	17.25	16.88	19.67	19.94	19.74		
Limit	Power < 2W			Result									Pass	

NR n41 Maximum Average Power [dBm], DG = -1 dBi														
BW (MHz)	RB Size	RB Offset	Mod	Antenna 2			Antenna 1			Combine			EIRP (dBm)	EIRP (W)
				Lowest	Middle	Highest	Lowest	Middle	Highest	Lowest	Middle	Highest		
100	1	1	QPSK	21.54	21.47	21.68	21.73	22.09	21.96	24.65	24.80	24.83	23.88	0.2443
100	1	271		21.88	21.47	21.44	21.85	22.12	22.14	24.88	24.82	24.81		
100	137	68		21.36	21.55	21.27	21.46	22.13	21.87	24.42	24.86	24.59		
100	1	0		19.57	19.52	19.56	19.59	19.98	19.91	22.59	22.77	22.75		
100	1	272		19.74	19.51	19.35	19.60	20.25	20.06	22.68	22.91	22.73		
100	273	0		19.93	20.07	19.85	20.02	20.52	20.34	22.99	23.31	23.11		
100	1	1	16-QAM	21.05	20.97	21.31	20.87	21.56	21.53	23.97	24.29	24.43	23.43	0.2203
100	1	1	64-QAM	19.43	19.82	19.76	19.67	20.08	20.45	22.56	22.96	23.13		
100	1	1	256-QAM	16.55	16.43	16.73	16.79	16.95	16.69	19.68	19.71	19.72		
Limit	Power < 2W			Result									Pass	



Part270 NR n77 Maximum Average Power [dBm], DG = 0.2 dBi														
BW	RB	RB	Mod	Antenna 6			Antenna 1			Combine			EIRP	EIRP
(MHz)	Size	Offset		Lowest	Middle	Highest	Lowest	Middle	Highest	Lowest	Middle	Highest	(dBm)	(W)
10	1	1	QPSK	21.41	21.54	21.06	21.17	21.17	21.09	24.30	24.37	24.09	24.59	0.2877
10	1	22		21.52	21.56	21.00	21.10	21.19	21.02	24.33	24.39	24.02		
10	12	6		21.47	21.51	21.06	21.19	21.16	21.12	24.34	24.35	24.10		
10	1	0		19.44	19.55	19.08	19.22	19.09	19.15	22.34	22.34	22.13		
10	1	23		19.45	19.59	19.01	19.11	19.09	19.12	22.29	22.36	22.08		
10	24	0		18.98	18.99	18.58	18.69	18.63	18.61	21.85	21.82	21.61		
10	1	1	16-QAM	20.85	21.09	20.82	20.71	20.71	20.52	23.79	23.91	23.68	24.11	0.2576
10	1	1	64-QAM	19.49	19.56	19.04	19.24	19.20	19.13	22.38	22.39	22.10		
10	1	1	256-QAM	16.52	16.63	16.15	16.34	16.25	16.21	19.44	19.45	19.19		
Limit	EIRP < 1W			Result									Pass	

Part270 NR n77 Maximum Average Power [dBm], DG = 0.2 dBi														
BW	RB	RB	Mod	Antenna 6			Antenna 1			Combine			EIRP	EIRP
(MHz)	Size	Offset		Lowest	Middle	Highest	Lowest	Middle	Highest	Lowest	Middle	Highest	(dBm)	(W)
15	1	1	QPSK	21.46	21.45	21.13	21.16	21.10	21.19	24.32	24.29	24.17	24.60	0.2884
15	1	36		21.47	21.52	21.08	21.12	21.15	21.11	24.31	24.35	24.11		
15	19	9		21.54	21.53	21.19	21.24	21.16	21.25	24.40	24.36	24.23		
15	1	0		19.46	19.45	19.09	19.21	19.07	19.26	22.35	22.27	22.19		
15	1	37		19.51	19.55	19.13	19.15	19.17	19.20	22.34	22.37	22.18		
15	38	0		19.03	19.01	18.64	18.75	18.64	18.75	21.90	21.84	21.71		
15	1	1	16-QAM	21.13	21.02	20.60	20.89	20.55	20.74	24.02	23.80	23.68	24.22	0.2642
15	1	1	64-QAM	19.45	19.64	19.21	19.45	19.18	19.36	22.46	22.43	22.30		
15	1	1	256-QAM	16.64	16.58	16.24	16.27	16.21	16.24	19.47	19.41	19.25		
Limit	EIRP < 1W			Result									Pass	





Part270 NR n77 Maximum Average Power [dBm], DG = 0.2 dBi														
BW	RB	RB	Mod	Antenna 6			Antenna 1			Combine			EIRP	EIRP
(MHz)	Size	Offset		Lowest	Middle	Highest	Lowest	Middle	Highest	Lowest	Middle	Highest	(dBm)	(W)
20	1	1	QPSK	21.52	21.48	21.15	21.21	21.08	21.11	24.38	24.29	24.14	24.64	0.2911
20	1	49		21.51	21.57	21.11	21.07	21.08	21.14	24.31	24.34	24.14		
20	25	12		21.57	21.52	21.16	21.28	21.15	21.22	24.44	24.35	24.20		
20	1	0		19.44	19.41	19.13	19.15	19.15	19.15	22.31	22.29	22.15		
20	1	50		19.43	19.51	19.12	19.04	19.20	19.09	22.25	22.37	22.12		
20	51	0		19.10	19.03	18.65	18.77	18.64	18.71	21.95	21.85	21.69		
20	1	1	16-QAM	21.00	20.96	20.68	20.76	20.67	20.64	23.89	23.83	23.67	24.09	0.2564
20	1	1	64-QAM	19.52	19.45	19.24	19.46	19.42	19.18	22.50	22.45	22.22		
20	1	1	256-QAM	16.48	16.71	16.12	16.16	16.41	16.06	19.33	19.57	19.10		
Limit	EIRP < 1W			Result									Pass	

Part270 NR n77 Maximum Average Power [dBm], DG = 0.2 dBi														
BW	RB	RB	Mod	Antenna 6			Antenna 1			Combine			EIRP	EIRP
(MHz)	Size	Offset		Lowest	Middle	Highest	Lowest	Middle	Highest	Lowest	Middle	Highest	(dBm)	(W)
25	1	1	QPSK	21.53	21.55	21.21	21.30	21.16	21.06	24.43	24.37	24.15	24.67	0.2931
25	1	63		21.53	21.66	21.11	21.15	21.18	21.03	24.35	24.44	24.08		
25	33	16		21.59	21.52	21.17	21.32	21.13	21.16	24.47	24.34	24.18		
25	1	0		19.48	19.51	19.14	19.25	19.12	18.99	22.38	22.33	22.08		
25	1	64		19.53	19.64	19.03	19.07	19.18	19.06	22.32	22.43	22.06		
25	65	0		19.10	19.02	18.63	18.82	18.65	18.70	21.97	21.85	21.68		
25	1	1	16-QAM	21.21	21.00	20.81	20.89	20.67	20.62	24.06	23.85	23.73	24.26	0.2667
25	1	1	64-QAM	19.55	19.45	19.19	19.47	19.06	19.14	22.52	22.27	22.18		
25	1	1	256-QAM	16.69	16.73	16.41	16.41	16.26	16.12	19.56	19.51	19.28		
Limit	EIRP < 1W			Result									Pass	



Part270 NR n77 Maximum Average Power [dBm], DG = 0.2 dBi														
BW	RB	RB	Mod	Antenna 6			Antenna 1			Combine			EIRP	EIRP
(MHz)	Size	Offset		Lowest	Middle	Highest	Lowest	Middle	Highest	Lowest	Middle	Highest	(dBm)	(W)
30	1	1	QPSK	21.48	21.49	21.26	21.15	21.09	21.08	24.33	24.30	24.18	24.59	0.2877
30	1	76		21.46	21.58	21.13	21.05	21.18	21.25	24.27	24.39	24.20		
30	39	19		21.44	21.50	21.24	21.11	21.13	21.33	24.29	24.33	24.30		
30	1	0		19.49	-	19.18	19.20	-	19.08	22.36	-	22.14		
30	1	77		19.50	19.57	19.14	19.01	19.24	19.20	22.27	22.42	22.18		
30	78	0		18.97	19.01	18.70	18.59	18.61	18.77	21.79	21.82	21.75		
30	1	1	16-QAM	20.81	21.16	20.83	20.62	20.59	20.56	23.73	23.89	23.71	24.09	0.2564
30	1	1	64-QAM	19.66	19.66	19.39	19.32	19.32	19.57	22.50	22.50	22.49		
30	1	1	256-QAM	16.41	16.44	16.31	16.12	16.08	16.23	19.28	19.27	19.28		
Limit	EIRP < 1W			Result									Pass	

Part270 NR n77 Maximum Average Power [dBm], DG = 0.2 dBi														
BW	RB	RB	Mod	Antenna 6			Antenna 1			Combine			EIRP	EIRP
(MHz)	Size	Offset		Lowest	Middle	Highest	Lowest	Middle	Highest	Lowest	Middle	Highest	(dBm)	(W)
40	1	1	QPSK	21.51	21.44	21.11	21.19	21.01	20.88	24.36	24.24	24.01	24.56	0.2858
40	1	104		21.51	21.50	21.07	21.04	21.16	21.16	24.29	24.34	24.13		
40	53	26		21.53	21.49	21.15	21.13	21.16	21.18	24.34	24.34	24.18		
40	1	0		19.49	19.44	19.10	19.19	19.06	18.93	22.35	22.26	22.03		
40	1	105		19.60	19.53	19.07	19.09	19.30	19.18	22.36	22.43	22.14		
40	106	0		18.94	19.05	18.58	18.69	18.58	18.67	21.83	21.83	21.64		
40	1	1	16-QAM	20.94	20.88	20.66	20.65	20.54	20.56	23.81	23.72	23.62	24.01	0.2518
40	1	1	64-QAM	19.58	19.66	18.93	19.38	19.25	19.16	22.49	22.47	22.06		
40	1	1	256-QAM	16.74	16.62	16.32	16.45	16.48	15.96	19.61	19.56	19.15		
Limit	EIRP < 1W			Result									Pass	



Part270 NR n77 Maximum Average Power [dBm], DG = 0.2 dBi														
BW	RB	RB	Mod	Antenna 6			Antenna 1			Combine			EIRP	EIRP
(MHz)	Size	Offset		Lowest	Middle	Highest	Lowest	Middle	Highest	Lowest	Middle	Highest	(dBm)	(W)
50	1	1	QPSK	21.64	21.55	21.16	21.27	21.13	21.11	24.47	24.36	24.15	24.67	0.2931
50	1	131		21.47	21.55	21.21	21.07	21.31	21.25	24.28	24.44	24.24		
50	67	33		21.45	21.49	21.24	21.04	21.09	21.21	24.26	24.30	24.24		
50	1	0		19.51	19.45	19.09	19.17	19.06	19.10	22.35	22.27	22.11		
50	1	132		19.56	19.53	19.18	19.04	19.24	19.14	22.32	22.40	22.17		
50	133	0		18.91	18.98	18.76	18.56	18.61	18.66	21.75	21.81	21.72		
50	1	1	16-QAM	21.02	21.06	20.94	20.89	20.64	20.71	23.97	23.87	23.84	24.17	0.2612
50	1	1	64-QAM	19.68	19.64	19.10	19.44	19.26	19.28	22.57	22.46	22.20		
50	1	1	256-QAM	16.74	16.59	16.42	16.45	15.99	19.61	19.29	19.22			
Limit	EIRP < 1W			Result									Pass	

Part270 NR n77 Maximum Average Power [dBm], DG = 0.2 dBi														
BW	RB	RB	Mod	Antenna 6			Antenna 1			Combine			EIRP	EIRP
(MHz)	Size	Offset		Lowest	Middle	Highest	Lowest	Middle	Highest	Lowest	Middle	Highest	(dBm)	(W)
60	1	1	QPSK	21.49	21.57	21.32	21.22	21.12	21.15	24.37	24.36	24.25	24.75	0.2985
60	1	160		21.53	21.67	21.41	21.26	21.41	21.20	24.41	24.55	24.32		
60	81	40		21.50	21.53	21.28	21.16	21.12	21.05	24.34	24.34	24.18		
60	1	0		19.50	19.54	19.33	19.20	19.19	19.11	22.36	22.38	22.23		
60	1	161		19.63	19.50	19.29	19.23	19.34	19.19	22.44	22.43	22.25		
60	162	0		18.90	19.03	18.78	18.69	18.54	18.52	21.81	21.80	21.66		
60	1	1	16-QAM	21.10	21.16	20.80	20.81	20.61	20.70	23.97	23.90	23.76	24.17	0.2612
60	1	1	64-QAM	19.51	19.59	19.05	19.27	19.33	19.29	22.40	22.47	22.18		
60	1	1	256-QAM	16.72	16.60	16.43	16.67	15.82	16.18	19.71	19.24	19.32		
Limit	EIRP < 1W			Result									Pass	



Part270 NR n77 Maximum Average Power [dBm], DG = 0.2 dBi														
BW	RB	RB	Mod	Antenna 6			Antenna 1			Combine			EIRP	EIRP
(MHz)	Size	Offset		Lowest	Middle	Highest	Lowest	Middle	Highest	Lowest	Middle	Highest	(dBm)	(W)
70	1	1	QPSK	21.59	21.61	21.54	21.08	21.29	21.18	24.35	24.46	24.37	24.73	0.2972
70	1	187		21.53	21.67	21.19	21.16	21.36	21.10	24.36	24.53	24.16		
70	95	47		21.51	21.54	21.23	21.06	21.19	20.92	24.30	24.38	24.09		
70	1	0		19.55	19.55	19.51	19.28	19.17	19.33	22.43	22.37	22.43		
70	1	188		19.44	19.53	19.26	19.18	19.20	19.08	22.32	22.38	22.18		
70	189	0		18.88	19.03	18.62	18.55	18.59	18.45	21.73	21.83	21.55		
70	1	1	16-QAM	21.14	21.29	21.09	20.83	21.08	20.75	24.00	24.20	23.93	24.40	0.2754
70	1	1	64-QAM	19.64	19.54	19.54	19.41	19.47	19.48	22.54	22.52	22.52		
70	1	1	256-QAM	16.57	16.65	16.78	15.84	16.44	16.43	19.23	19.56	19.62		
Limit	EIRP < 1W			Result									Pass	

Part270 NR n77 Maximum Average Power [dBm], DG = 0.2 dBi														
BW	RB	RB	Mod	Antenna 6			Antenna 1			Combine			EIRP	EIRP
(MHz)	Size	Offset		Lowest	Middle	Highest	Lowest	Middle	Highest	Lowest	Middle	Highest	(dBm)	(W)
80	1	1	QPSK	21.49	21.37	21.39	21.32	21.15	21.18	24.42	24.27	24.30	24.67	0.2931
80	1	215		21.59	21.54	21.28	21.33	21.31	21.22	24.47	24.44	24.26		
80	109	54		21.53	21.53	21.18	21.17	21.10	21.01	24.36	24.33	24.11		
80	1	0		19.60	19.56	19.59	19.33	19.22	19.15	22.48	22.40	22.39		
80	1	216		19.56	19.55	19.37	19.23	19.21	19.19	22.41	22.39	22.29		
80	217	0		19.04	19.04	18.67	18.61	18.67	18.53	21.84	21.87	21.61		
80	1	1	16-QAM	21.30	21.10	21.09	20.77	21.02	20.67	24.05	24.07	23.90	24.27	0.2673
80	1	1	64-QAM	19.32	19.56	19.27	19.49	19.44	19.09	22.42	22.51	22.19		
80	1	1	256-QAM	16.69	16.83	16.47	16.32	16.56	16.24	19.52	19.71	19.37		
Limit	EIRP < 1W			Result									Pass	



Part270 NR n77 Maximum Average Power [dBm], DG = 0.2 dBi														
BW	RB	RB	Mod	Antenna 6			Antenna 1			Combine			EIRP	EIRP
(MHz)	Size	Offset		Lowest	Middle	Highest	Lowest	Middle	Highest	Lowest	Middle	Highest	(dBm)	(W)
90	1	1	QPSK	21.52	21.48	21.36	21.35	21.21	21.20	24.45	24.36	24.29	24.65	0.2917
90	1	243		21.57	21.54	21.24	21.27	21.31	21.16	24.43	24.44	24.21		
90	123	61		21.48	21.52	21.21	21.06	21.09	21.19	24.29	24.32	24.21		
90	1	0		19.65	19.63	19.50	19.16	19.19	19.25	22.42	22.43	22.39		
90	1	244		19.71	19.66	19.42	19.28	19.17	19.25	22.51	22.43	22.35		
90	245	0		19.02	19.06	18.74	18.54	18.68	18.69	21.80	21.88	21.73		
90	1	1	16-QAM	21.21	20.65	20.88	20.76	20.57	20.47	24.00	23.62	23.69	24.20	0.2630
90	1	1	64-QAM	19.87	19.77	19.49	19.13	19.14	19.52	22.53	22.48	22.52		
90	1	1	256-QAM	16.42	16.76	16.41	16.27	16.48	16.01	19.36	19.63	19.22		
Limit	EIRP < 1W			Result									Pass	

Part270 NR n77 Maximum Average Power [dBm], DG = 0.2 dBi														
BW	RB	RB	Mod	Antenna 6			Antenna 1			Combine			EIRP	EIRP
(MHz)	Size	Offset		Lowest	Middle	Highest	Lowest	Middle	Highest	Lowest	Middle	Highest	(dBm)	(W)
100	1	1	QPSK	21.65	21.53	21.64	21.39	21.35	21.31	24.53	24.45	24.49	24.86	0.3062
100	1	271		21.83	21.57	21.32	21.46	21.24	21.36	24.66	24.42	24.35		
100	137	68		21.57	21.44	21.16	21.19	21.11	21.10	24.39	24.29	24.14		
100	1	0		19.66	19.61	19.50	19.35	19.28	19.40	22.52	22.46	22.46		
100	1	272		19.78	19.64	19.30	19.34	19.37	19.43	22.58	22.52	22.38		
100	273	0		19.23	19.10	18.74	18.74	18.70	18.63	22.00	21.91	21.70		
100	1	1	16-QAM	21.23	21.20	21.42	20.70	20.49	20.73	23.98	23.87	24.10	24.30	0.2692
100	1	1	64-QAM	19.65	19.50	19.57	19.46	19.69	18.96	22.57	22.61	22.29		
100	1	1	256-QAM	16.81	17.08	16.47	16.89	16.31	16.28	19.86	19.72	19.39		
Limit	EIRP < 1W			Result									Pass	



Part270 NR n78 Maximum Average Power [dBm], DG = 0.2 dBi														
BW	RB	RB	Mod	Antenna 6			Antenna 1			Combine			EIRP	EIRP
(MHz)	Size	Offset		Lowest	Middle	Highest	Lowest	Middle	Highest	Lowest	Middle	Highest	(dBm)	(W)
10	1	1	QPSK	21.32	21.37	21.30	21.40	21.14	21.26	24.37	24.27	24.29	24.57	0.2864
10	1	22		21.34	21.36	21.38	21.27	21.21	21.14	24.32	24.30	24.27		
10	12	6		21.40	21.42	21.40	21.32	21.13	21.18	24.37	24.29	24.30		
10	1	0		19.33	19.32	19.35	19.34	19.12	19.18	22.35	22.23	22.28		
10	1	23		19.42	19.36	19.37	19.28	19.13	19.19	22.36	22.26	22.29		
10	24	0		18.90	18.90	18.90	18.82	18.60	18.69	21.87	21.76	21.81		
10	1	1	16-QAM	20.99	20.87	20.74	20.81	20.73	20.67	23.91	23.81	23.72	24.11	0.2576
10	1	1	64-QAM	19.26	19.31	19.25	19.39	19.28	19.32	22.34	22.31	22.30		
10	1	1	256-QAM	16.19	16.20	16.32	16.31	16.10	16.23	19.26	19.16	19.29		
Limit	EIRP < 1W			Result									Pass	

Part270 NR n78 Maximum Average Power [dBm], DG = 0.2 dBi														
BW	RB	RB	Mod	Antenna 6			Antenna 1			Combine			EIRP	EIRP
(MHz)	Size	Offset		Lowest	Middle	Highest	Lowest	Middle	Highest	Lowest	Middle	Highest	(dBm)	(W)
15	1	1	QPSK	21.24	21.29	21.22	21.28	21.17	21.10	24.27	24.24	24.17	24.58	0.2871
15	1	36		21.29	21.30	21.34	21.19	21.20	21.13	24.25	24.26	24.25		
15	19	9		21.42	21.40	21.33	21.32	21.11	21.14	24.38	24.27	24.25		
15	1	0		19.32	19.36	19.27	19.29	19.18	19.20	22.32	22.28	22.25		
15	1	37		19.29	19.31	19.37	19.21	19.20	19.29	22.26	22.27	22.34		
15	38	0		18.87	18.90	18.83	18.78	18.61	18.66	21.84	21.77	21.76		
15	1	1	16-QAM	20.77	20.74	20.77	20.87	20.65	20.74	23.83	23.71	23.77	24.03	0.2529
15	1	1	64-QAM	19.22	19.47	19.28	19.37	19.23	19.13	22.31	22.36	22.22		
15	1	1	256-QAM	16.41	16.33	16.22	16.50	16.16	16.22	19.47	19.26	19.23		
Limit	EIRP < 1W			Result									Pass	



Part270 NR n78 Maximum Average Power [dBm], DG = 0.2 dBi														
BW	RB	RB	Mod	Antenna 6			Antenna 1			Combine			EIRP	EIRP
(MHz)	Size	Offset		Lowest	Middle	Highest	Lowest	Middle	Highest	Lowest	Middle	Highest	(dBm)	(W)
20	1	1	QPSK	21.30	21.18	21.22	21.36	21.12	21.20	24.34	24.16	24.22	24.54	0.2844
20	1	49		21.30	21.26	21.35	21.20	21.19	21.31	24.26	24.24	24.34		
20	25	12		21.37	21.42	21.36	21.27	21.11	21.20	24.33	24.28	24.29		
20	1	0		19.32	19.26	19.23	19.29	19.13	19.12	22.32	22.21	22.19		
20	1	50		19.27	19.19	19.38	19.13	19.17	19.26	22.21	22.19	22.33		
20	51	0		18.88	18.89	18.84	18.79	18.64	18.68	21.85	21.78	21.77		
20	1	1	16-QAM	20.80	20.85	20.67	20.92	20.60	20.58	23.87	23.74	23.64	24.07	0.2553
20	1	1	64-QAM	19.25	19.17	19.10	19.35	19.08	19.25	22.31	22.14	22.19		
20	1	1	256-QAM	16.23	16.07	16.23	16.33	15.97	16.25	19.29	19.03	19.25		
Limit	EIRP < 1W			Result									Pass	

Part270 NR n78 Maximum Average Power [dBm], DG = 0.2 dBi														
BW	RB	RB	Mod	Antenna 6			Antenna 1			Combine			EIRP	EIRP
(MHz)	Size	Offset		Lowest	Middle	Highest	Lowest	Middle	Highest	Lowest	Middle	Highest	(dBm)	(W)
25	1	1	QPSK	21.24	21.31	21.20	21.32	21.12	21.14	24.29	24.23	24.18	24.51	0.2825
25	1	63		21.19	21.34	21.43	21.09	21.19	21.17	24.15	24.28	24.31		
25	33	16		21.34	21.43	21.37	21.25	21.14	21.20	24.31	24.30	24.30		
25	1	0		19.27	19.38	19.20	19.38	19.12	19.14	22.34	22.26	22.18		
25	1	64		19.21	19.33	19.38	19.10	19.17	19.19	22.17	22.26	22.30		
25	65	0		18.81	18.89	18.86	18.74	18.64	18.74	21.79	21.78	21.81		
25	1	1	16-QAM	20.67	20.69	20.69	21.04	20.54	20.64	23.87	23.63	23.68	24.07	0.2553
25	1	1	64-QAM	19.21	19.15	19.10	19.48	19.14	19.16	22.36	22.16	22.14		
25	1	1	256-QAM	16.20	16.16	15.96	16.37	16.09	16.15	19.30	19.14	19.07		
Limit	EIRP < 1W			Result									Pass	



Part270 NR n78 Maximum Average Power [dBm], DG = 0.2 dBi														
BW	RB	RB	Mod	Antenna 6			Antenna 1			Combine			EIRP	EIRP
(MHz)	Size	Offset		Lowest	Middle	Highest	Lowest	Middle	Highest	Lowest	Middle	Highest	(dBm)	(W)
30	1	1	QPSK	21.32	21.23	21.06	21.35	21.00	21.15	24.35	24.13	24.12	24.55	0.2851
30	1	76		21.25	21.25	21.35	21.11	21.13	21.20	24.19	24.20	24.29		
30	39	19		21.32	21.40	21.27	21.20	21.17	21.17	24.27	24.30	24.23		
30	1	0		19.33	19.26	19.09	19.35	19.08	19.13	22.35	22.18	22.12		
30	1	77		19.28	19.27	19.32	19.09	19.14	19.16	22.20	22.22	22.25		
30	78	0		18.82	18.91	18.78	18.72	18.63	18.63	21.78	21.78	21.72		
30	1	1	16-QAM	20.92	20.62	20.56	20.70	20.51	20.71	23.82	23.58	23.65	24.02	0.2523
30	1	1	64-QAM	19.34	19.15	18.98	19.44	19.12	19.14	22.40	22.15	22.07		
30	1	1	256-QAM	16.35	16.17	15.99	16.45	16.18	16.17	19.41	19.19	19.09		
Limit	EIRP < 1W			Result									Pass	

Part270 NR n78 Maximum Average Power [dBm], DG = 0.2 dBi														
BW	RB	RB	Mod	Antenna 6			Antenna 1			Combine			EIRP	EIRP
(MHz)	Size	Offset		Lowest	Middle	Highest	Lowest	Middle	Highest	Lowest	Middle	Highest	(dBm)	(W)
40	1	1	QPSK	21.33	21.14	21.10	21.17	21.11	21.07	24.26	24.14	24.10	24.49	0.2812
40	1	104		21.32	21.28	21.34	21.10	21.24	21.21	24.22	24.27	24.29		
40	53	26		21.25	21.34	21.23	21.08	21.20	21.06	24.18	24.28	24.16		
40	1	0		19.28	19.12	19.13	19.26	19.04	19.12	22.28	22.09	22.14		
40	1	105		19.35	19.23	19.41	19.07	19.20	19.29	22.22	22.23	22.36		
40	106	0		18.71	18.81	18.74	18.50	18.62	18.70	21.62	21.73	21.73		
40	1	1	16-QAM	20.58	20.75	20.56	20.90	20.48	20.48	23.75	23.63	23.53	23.95	0.2483
40	1	1	64-QAM	19.03	19.16	18.89	19.38	19.21	19.05	22.22	22.20	21.98		
40	1	1	256-QAM	16.17	16.01	15.95	16.38	16.10	15.82	19.29	19.07	18.90		
Limit	EIRP < 1W			Result									Pass	





Part270 NR n78 Maximum Average Power [dBm], DG = 0.2 dBi														
BW	RB	RB	Mod	Antenna 6			Antenna 1			Combine			EIRP	EIRP
(MHz)	Size	Offset		Lowest	Middle	Highest	Lowest	Middle	Highest	Lowest	Middle	Highest	(dBm)	(W)
50	1	1	QPSK	21.27	21.26	21.42	21.35	20.93	21.08	24.32	24.11	24.26	24.52	0.2831
50	1	131		21.42	21.25	21.54	21.15	21.32	21.07	24.30	24.30	24.32		
50	67	33		21.26	21.31	21.18	21.14	21.13	21.08	24.21	24.23	24.14		
50	1	0		19.29	19.20	19.35	19.32	19.04	19.08	22.32	22.13	22.23		
50	1	132		19.52	19.43	19.60	19.25	19.29	19.21	22.40	22.37	22.42		
50	133	0		18.78	18.86	18.71	18.72	18.63	18.63	21.76	21.76	21.68		
50	1	1	16-QAM	20.73	20.65	20.75	20.94	20.71	20.50	23.85	23.69	23.64	24.05	0.2541
50	1	1	64-QAM	19.35	19.27	19.25	19.44	18.88	19.09	22.41	22.09	22.18		
50	1	1	256-QAM	16.25	16.11	16.05	16.67	16.14	16.00	19.48	19.14	19.04		
Limit	EIRP < 1W			Result									Pass	

Part270 NR n78 Maximum Average Power [dBm], DG = 0.2 dBi														
BW	RB	RB	Mod	Antenna 6			Antenna 1			Combine			EIRP	EIRP
(MHz)	Size	Offset		Lowest	Middle	Highest	Lowest	Middle	Highest	Lowest	Middle	Highest	(dBm)	(W)
60	1	1	QPSK	21.29	21.13	21.12	21.40	21.23	20.99	24.36	24.19	24.07	24.59	0.2877
60	1	160		21.36	21.36	21.54	21.24	21.24	21.22	24.31	24.31	24.39		
60	81	40		21.25	21.37	21.18	21.16	21.17	21.28	24.22	24.28	24.24		
60	1	0		19.37	19.23	19.38	19.41	19.24	18.98	22.40	22.25	22.19		
60	1	161		19.42	19.44	19.58	19.38	19.30	19.16	22.41	22.38	22.39		
60	162	0		18.80	18.93	18.83	18.69	18.60	18.75	21.76	21.78	21.80		
60	1	1	16-QAM	20.50	20.75	20.66	21.12	20.70	20.82	23.83	23.74	23.75	24.03	0.2529
60	1	1	64-QAM	19.24	19.33	18.81	19.35	19.14	19.20	22.31	22.25	22.02		
60	1	1	256-QAM	16.24	16.03	16.19	16.28	16.12	16.26	19.27	19.09	19.24		
Limit	EIRP < 1W			Result									Pass	



Part270 NR n78 Maximum Average Power [dBm], DG = 0.2 dBi														
BW	RB	RB	Mod	Antenna 6			Antenna 1			Combine			EIRP	EIRP
(MHz)	Size	Offset		Lowest	Middle	Highest	Lowest	Middle	Highest	Lowest	Middle	Highest	(dBm)	(W)
70	1	1	QPSK	21.24	21.27	21.16	21.45	21.25	21.14	24.36	24.27	24.16	24.72	0.2965
70	1	187		21.47	21.49	21.68	21.38	21.33	21.34	24.44	24.42	24.52		
70	95	47		21.38	21.47	21.35	21.22	21.14	21.29	24.31	24.32	24.33		
70	1	0		19.35	19.41	19.37	19.48	19.26	19.14	22.43	22.35	22.27		
70	1	188		19.43	19.40	19.45	19.29	19.25	19.32	22.37	22.34	22.40		
70	189	0		18.82	18.98	18.87	18.73	18.74	18.74	21.79	21.87	21.82		
70	1	1	16-QAM	20.89	20.72	20.59	20.95	20.69	20.72	23.93	23.72	23.67	24.13	0.2588
70	1	1	64-QAM	19.48	19.05	19.21	19.31	19.37	19.22	22.41	22.22	22.23		
70	1	1	256-QAM	16.47	16.13	16.03	16.40	16.24	16.18	19.45	19.20	19.12		
Limit	EIRP < 1W			Result									Pass	

Part270 NR n78 Maximum Average Power [dBm], DG = 0.2 dBi														
BW	RB	RB	Mod	Antenna 6			Antenna 1			Combine			EIRP	EIRP
(MHz)	Size	Offset		Lowest	Middle	Highest	Lowest	Middle	Highest	Lowest	Middle	Highest	(dBm)	(W)
80	1	1	QPSK	21.49	21.48	21.22	21.47	21.28	21.23	24.49	24.39	24.24	24.7	0.2951
80	1	215		21.59	21.61	21.50	21.38	21.37	21.37	24.50	24.50	24.45		
80	109	54		21.32	21.36	21.29	21.17	21.29	21.21	24.26	24.34	24.26		
80	1	0		19.43	19.30	19.18	19.41	19.41	19.20	22.43	22.37	22.20		
80	1	216		19.56	19.61	19.49	19.22	19.25	19.29	22.40	22.44	22.40		
80	217	0		18.83	18.96	18.79	18.62	18.59	18.75	21.74	21.79	21.78		
80	1	1	16-QAM	20.93	20.96	20.91	20.98	20.76	20.70	23.97	23.87	23.82	24.17	0.2612
80	1	1	64-QAM	19.44	19.53	19.31	19.02	19.39	18.95	22.25	22.47	22.14		
80	1	1	256-QAM	16.39	16.36	15.91	16.36	16.42	16.11	19.39	19.40	19.02		
Limit	EIRP < 1W			Result									Pass	



Part270 NR n78 Maximum Average Power [dBm], DG = 0.2 dBi														
BW	RB	RB	Mod	Antenna 6			Antenna 1			Combine			EIRP	EIRP
(MHz)	Size	Offset		Lowest	Middle	Highest	Lowest	Middle	Highest	Lowest	Middle	Highest	(dBm)	(W)
90	1	1	QPSK	21.41	21.55	21.40	21.61	21.36	21.31	24.52	24.47	24.37	24.75	0.2985
90	1	243		21.58	21.67	21.62	21.50	21.37	21.44	24.55	24.53	24.54		
90	123	61		21.28	21.35	21.28	21.23	21.15	21.23	24.27	24.26	24.27		
90	1	0		19.41	19.48	19.44	19.50	19.34	19.48	22.47	22.42	22.47		
90	1	244		19.69	19.63	19.55	19.47	19.49	19.42	22.59	22.57	22.50		
90	245	0		18.95	18.99	18.95	18.69	18.73	18.66	21.83	21.87	21.82		
90	1	1	16-QAM	20.58	20.84	20.87	21.01	20.88	20.59	23.81	23.87	23.74	24.07	0.2553
90	1	1	64-QAM	19.40	19.38	19.28	19.23	19.29	19.29	22.33	22.35	22.30		
90	1	1	256-QAM	16.30	16.15	16.37	16.44	16.40	16.54	19.38	19.29	19.47		
Limit	EIRP < 1W			Result									Pass	

Part270 NR n78 Maximum Average Power [dBm], DG = 0.2 dBi														
BW	RB	RB	Mod	Antenna 6			Antenna 1			Combine			EIRP	EIRP
(MHz)	Size	Offset		Lowest	Middle	Highest	Lowest	Middle	Highest	Lowest	Middle	Highest	(dBm)	(W)
100	1	1	QPSK	-	21.58	-	-	21.48	-	-	24.54	-	24.76	0.2992
100	1	271		-	21.55	-	-	21.55	-	-	24.56	-		
100	137	68		-	21.52	-	-	21.21	-	-	24.38	-		
100	1	0		-	19.57	-	-	19.53	-	-	22.56	-		
100	1	272		-	19.87	-	-	19.48	-	-	22.69	-		
100	273	0		-	19.10	-	-	18.78	-	-	21.95	-		
100	1	1	16-QAM	-	20.97	-	-	21.05	-	-	24.02	-	24.22	0.2642
100	1	1	64-QAM	-	19.59	-	-	19.61	-	-	22.61	-		
100	1	1	256-QAM	-	16.44	-	-	16.46	-	-	19.46	-		
Limit	EIRP < 1W			Result									Pass	



Part27Q NR n77 Maximum Average Power [dBm], DG = 0.6 dBi														
BW	RB	RB	Mod	Antenna 6			Antenna 1			Combine			EIRP	EIRP
(MHz)	Size	Offset		Lowest	Middle	Highest	Lowest	Middle	Highest	Lowest	Middle	Highest	(dBm)	(W)
10	1	1	QPSK	21.58	21.58	21.45	21.10	21.13	21.24	24.36	24.37	24.36	25.05	0.3199
10	1	22		21.46	21.55	21.54	21.10	21.02	21.33	24.29	24.30	24.45		
10	12	6		21.56	21.50	21.53	21.10	21.01	21.28	24.35	24.27	24.42		
10	1	0		19.63	19.61	19.44	19.02	19.15	19.23	22.35	22.40	22.35		
10	1	23		19.46	19.57	19.58	19.03	19.07	19.30	22.26	22.34	22.45		
10	24	0		19.07	19.05	19.01	18.61	18.54	18.78	21.86	21.81	21.91		
10	1	1	16-QAM	21.21	21.16	20.98	20.66	20.71	20.66	23.95	23.95	23.83	24.55	0.2851
10	1	1	64-QAM	19.74	19.58	19.60	19.13	19.15	19.22	22.46	22.38	22.42		
10	1	1	256-QAM	16.65	16.67	16.61	16.15	16.24	16.43	19.42	19.47	19.53		
Limit	EIRP < 1W			Result									Pass	

Part27Q NR n77 Maximum Average Power [dBm], DG = 0.6 dBi														
BW	RB	RB	Mod	Antenna 6			Antenna 1			Combine			EIRP	EIRP
(MHz)	Size	Offset		Lowest	Middle	Highest	Lowest	Middle	Highest	Lowest	Middle	Highest	(dBm)	(W)
15	1	1	QPSK	21.64	21.58	21.37	21.17	21.22	21.17	24.42	24.41	24.28	25.02	0.3177
15	1	36		21.39	21.55	21.56	21.24	21.08	21.24	24.33	24.33	24.41		
15	19	9		21.50	21.55	21.49	21.15	21.03	21.24	24.34	24.31	24.38		
15	1	0		19.63	19.58	19.40	19.14	19.15	19.11	22.40	22.38	22.27		
15	1	37		19.39	19.53	19.60	19.18	19.03	19.22	22.30	22.30	22.42		
15	38	0		19.01	19.04	19.00	18.67	18.53	18.72	21.85	21.80	21.87		
15	1	1	16-QAM	21.22	21.29	20.88	20.64	20.63	20.78	23.95	23.98	23.84	24.58	0.2871
15	1	1	64-QAM	19.71	19.71	19.32	19.16	19.20	19.13	22.45	22.47	22.24		
15	1	1	256-QAM	16.71	16.62	16.41	16.11	16.15	16.35	19.43	19.40	19.39		
Limit	EIRP < 1W			Result									Pass	



Part27Q NR n77 Maximum Average Power [dBm], DG = 0.6 dBi														
BW	RB	RB	Mod	Antenna 6			Antenna 1			Combine			EIRP	EIRP
(MHz)	Size	Offset		Lowest	Middle	Highest	Lowest	Middle	Highest	Lowest	Middle	Highest	(dBm)	(W)
20	1	1	QPSK	21.63	21.59	21.28	21.18	21.25	21.11	24.42	24.43	24.21	25.03	0.3184
20	1	49		21.36	21.48	21.50	21.23	21.08	21.14	24.31	24.29	24.33		
20	25	12		21.47	21.55	21.38	21.21	21.07	21.15	24.35	24.33	24.28		
20	1	0		19.67	19.56	19.25	19.18	19.25	19.09	22.44	22.42	22.18		
20	1	50		19.45	19.51	19.51	19.26	19.05	19.18	22.37	22.30	22.36		
20	51	0		18.99	19.02	18.92	18.71	18.55	18.64	21.86	21.80	21.79		
20	1	1	16-QAM	21.11	21.13	20.91	20.64	20.81	20.67	23.89	23.98	23.80	24.58	0.2871
20	1	1	64-QAM	19.73	19.61	19.26	19.17	19.19	19.23	22.47	22.42	22.26		
20	1	1	256-QAM	16.50	16.58	16.42	16.28	16.19	16.21	19.40	19.40	19.33		
Limit	EIRP < 1W			Result									Pass	

Part27Q NR n77 Maximum Average Power [dBm], DG = 0.6 dBi														
BW	RB	RB	Mod	Antenna 6			Antenna 1			Combine			EIRP	EIRP
(MHz)	Size	Offset		Lowest	Middle	Highest	Lowest	Middle	Highest	Lowest	Middle	Highest	(dBm)	(W)
25	1	1	QPSK	21.71	21.56	21.26	21.11	21.31	21.08	24.43	24.45	24.18	25.05	0.3199
25	1	63		21.48	21.49	21.53	21.28	21.09	21.19	24.39	24.30	24.37		
25	33	16		21.45	21.55	21.39	21.32	21.07	21.16	24.40	24.33	24.29		
25	1	0		19.66	19.62	19.27	19.15	19.25	18.98	22.42	22.45	22.14		
25	1	64		19.46	19.54	19.55	19.28	19.01	19.10	22.38	22.29	22.34		
25	65	0		18.99	19.02	18.90	18.81	18.57	18.60	21.91	21.81	21.76		
25	1	1	16-QAM	21.18	21.11	20.83	20.73	20.84	20.53	23.97	23.99	23.69	24.59	0.2877
25	1	1	64-QAM	19.57	19.72	19.30	19.41	19.21	19.01	22.50	22.48	22.17		
25	1	1	256-QAM	16.64	16.75	16.35	16.18	16.40	16.13	19.43	19.59	19.25		
Limit	EIRP < 1W			Result									Pass	



Part27Q NR n77 Maximum Average Power [dBm], DG = 0.6 dBi														
BW	RB	RB	Mod	Antenna 6			Antenna 1			Combine			EIRP	EIRP
(MHz)	Size	Offset		Lowest	Middle	Highest	Lowest	Middle	Highest	Lowest	Middle	Highest	(dBm)	(W)
30	1	1	QPSK	21.71	21.57	21.22	21.13	21.24	21.13	24.44	24.42	24.19	25.12	0.3251
30	1	76		21.43	21.46	21.64	21.23	21.07	21.38	24.34	24.28	24.52		
30	39	19		21.41	21.55	21.42	21.18	21.08	21.27	24.31	24.33	24.36		
30	1	0		19.66	19.51	19.20	19.09	19.25	19.10	22.39	22.39	22.16		
30	1	77		19.42	19.43	19.64	19.17	19.06	19.33	22.31	22.26	22.50		
30	78	0		18.93	19.04	18.90	18.69	18.58	18.74	21.82	21.83	21.83		
30	1	1	16-QAM	21.16	21.19	20.81	20.51	20.69	20.57	23.86	23.96	23.70	24.56	0.2858
30	1	1	64-QAM	19.74	19.65	19.20	19.19	19.43	19.19	22.48	22.55	22.21		
30	1	1	256-QAM	16.82	16.71	16.29	16.36	16.40	16.07	19.61	19.57	19.19		
Limit	EIRP < 1W			Result									Pass	

Part27Q NR n77 Maximum Average Power [dBm], DG = 0.6 dBi														
BW	RB	RB	Mod	Antenna 6			Antenna 1			Combine			EIRP	EIRP
(MHz)	Size	Offset		Lowest	Middle	Highest	Lowest	Middle	Highest	Lowest	Middle	Highest	(dBm)	(W)
40	1	1	QPSK	21.64	21.51	21.37	21.06	21.25	21.08	24.37	24.39	24.24	25.03	0.3184
40	1	104		21.53	21.34	21.49	21.30	21.04	21.18	24.43	24.20	24.35		
40	53	26		21.40	21.49	21.32	21.32	21.08	21.13	24.37	24.30	24.24		
40	1	0		19.70	19.42	19.43	19.10	19.21	19.01	22.42	22.33	22.24		
40	1	105		19.69	19.34	19.48	19.26	19.01	19.27	22.49	22.19	22.39		
40	106	0		18.91	19.02	18.81	18.80	18.57	18.68	21.87	21.81	21.76		
40	1	1	16-QAM	21.21	20.91	21.08	20.60	20.74	20.43	23.93	23.84	23.78	24.53	0.2838
40	1	1	64-QAM	19.61	19.56	19.41	19.24	19.50	19.11	22.44	22.54	22.27		
40	1	1	256-QAM	16.70	16.49	16.40	16.23	16.52	16.08	19.48	19.52	19.25		
Limit	EIRP < 1W			Result									Pass	



Part27Q NR n77 Maximum Average Power [dBm], DG = 0.6 dBi														
BW	RB	RB	Mod	Antenna 6			Antenna 1			Combine			EIRP	EIRP
(MHz)	Size	Offset		Lowest	Middle	Highest	Lowest	Middle	Highest	Lowest	Middle	Highest	(dBm)	(W)
50	1	1	QPSK	21.78	21.42	21.58	21.10	21.25	21.02	24.46	24.35	24.32	25.06	0.3206
50	1	131		21.57	21.32	21.50	20.99	21.15	21.10	24.30	24.25	24.31		
50	67	33		21.38	21.54	21.29	21.23	21.06	21.06	24.32	24.32	24.19		
50	1	0		19.82	19.44	19.46	19.17	19.26	19.04	22.52	22.36	22.27		
50	1	132		19.57	19.30	19.45	19.10	19.10	19.19	22.35	22.21	22.33		
50	133	0		19.00	19.04	18.84	18.70	18.56	18.57	21.86	21.82	21.72		
50	1	1	16-QAM	21.40	20.81	21.06	20.62	20.61	20.41	24.04	23.72	23.76	24.64	0.2911
50	1	1	64-QAM	19.67	19.53	19.51	19.30	19.25	19.08	22.50	22.40	22.31		
50	1	1	256-QAM	16.71	16.43	16.60	16.10	16.39	16.01	19.43	19.42	19.33		
Limit	EIRP < 1W			Result									Pass	

Part27Q NR n77 Maximum Average Power [dBm], DG = 0.6 dBi														
BW	RB	RB	Mod	Antenna 6			Antenna 1			Combine			EIRP	EIRP
(MHz)	Size	Offset		Lowest	Middle	Highest	Lowest	Middle	Highest	Lowest	Middle	Highest	(dBm)	(W)
60	1	1	QPSK	21.80	21.31	21.59	21.20	21.32	21.27	24.52	24.33	24.44	25.12	0.3251
60	1	160		21.65	21.29	21.51	21.09	21.21	21.26	24.39	24.26	24.40		
60	81	40		21.45	21.53	21.29	21.28	21.06	21.07	24.38	24.31	24.19		
60	1	0		19.68	19.33	19.64	19.27	19.34	19.30	22.49	22.35	22.48		
60	1	161		19.64	19.35	19.46	19.12	19.24	19.21	22.40	22.31	22.35		
60	162	0		19.06	18.97	18.84	18.74	18.58	18.59	21.91	21.79	21.73		
60	1	1	16-QAM	21.01	20.76	20.87	20.76	20.89	20.85	23.90	23.84	23.87	24.50	0.2818
60	1	1	64-QAM	19.94	19.38	19.69	19.21	19.33	19.31	22.60	22.37	22.51		
60	1	1	256-QAM	16.76	15.01	16.52	16.14	16.58	16.21	19.47	18.88	19.38		
Limit	EIRP < 1W			Result									Pass	



Part27Q NR n77 Maximum Average Power [dBm], DG = 0.6 dBi														
BW	RB	RB	Mod	Antenna 6			Antenna 1			Combine			EIRP	EIRP
(MHz)	Size	Offset		Lowest	Middle	Highest	Lowest	Middle	Highest	Lowest	Middle	Highest	(dBm)	(W)
70	1	1	QPSK	21.85	21.48	21.64	21.19	21.18	21.48	24.54	24.34	24.57	25.25	0.3350
70	1	187		21.39	21.51	21.78	20.98	21.29	21.50	24.20	24.41	24.65		
70	95	47		21.50	21.47	21.47	21.22	21.18	21.27	24.37	24.34	24.38		
70	1	0		19.68	19.16	19.66	19.22	19.19	19.36	22.47	22.19	22.52		
70	1	188		19.39	19.40	19.88	19.12	19.01	19.43	22.27	22.22	22.67		
70	189	0		19.01	19.03	18.23	18.64	18.51	18.78	21.84	21.79	21.52		
70	1	1	16-QAM	20.96	20.81	20.81	20.73	20.99	20.80	23.86	23.91	23.82	24.51	0.2825
70	1	1	64-QAM	19.70	19.42	19.75	19.29	19.37	19.50	22.51	22.41	22.64		
70	1	1	256-QAM	16.73	16.54	16.47	16.21	16.45	16.39	19.49	19.51	19.44		
Limit	EIRP < 1W			Result									Pass	

Part27Q NR n77 Maximum Average Power [dBm], DG = 0.6 dBi														
BW	RB	RB	Mod	Antenna 6			Antenna 1			Combine			EIRP	EIRP
(MHz)	Size	Offset		Lowest	Middle	Highest	Lowest	Middle	Highest	Lowest	Middle	Highest	(dBm)	(W)
80	1	1	QPSK	21.68	21.46	21.42	21.26	21.16	21.32	24.49	24.32	24.38	25.21	0.3319
80	1	215		21.42	21.38	21.85	21.24	21.33	21.33	24.34	24.37	24.61		
80	109	54		21.66	21.52	21.49	21.19	21.07	21.22	24.44	24.31	24.37		
80	1	0		19.71	19.52	19.53	19.03	19.24	19.22	22.39	22.39	22.39		
80	1	216		19.45	19.57	19.70	19.14	19.28	19.20	22.31	22.44	22.47		
80	217	0		19.15	18.94	19.02	18.82	18.54	18.75	22.00	21.75	21.90		
80	1	1	16-QAM	21.10	21.37	20.78	20.80	20.78	21.05	23.96	24.10	23.93	24.70	0.2951
80	1	1	64-QAM	19.62	19.23	19.55	19.21	19.00	19.26	22.43	22.13	22.42		
80	1	1	256-QAM	16.65	16.40	16.65	16.20	16.28	16.40	19.44	19.35	19.54		
Limit	EIRP < 1W			Result									Pass	





Part27Q NR n77 Maximum Average Power [dBm], DG = 0.6 dBi														
BW	RB	RB	Mod	Antenna 6			Antenna 1			Combine			EIRP	EIRP
(MHz)	Size	Offset		Lowest	Middle	Highest	Lowest	Middle	Highest	Lowest	Middle	Highest	(dBm)	(W)
90	1	1	QPSK	21.77	21.65	21.50	21.26	21.05	21.26	24.53	24.37	24.39	25.21	0.3319
90	1	243		21.50	21.67	21.84	21.17	21.14	21.35	24.35	24.42	24.61		
90	123	61		21.53	21.45	21.57	21.12	21.03	21.20	24.34	24.26	24.40		
90	1	0		19.77	19.73	19.62	19.22	19.15	19.27	22.51	22.46	22.46		
90	1	244		19.58	19.62	19.77	19.19	19.23	19.49	22.40	22.44	22.64		
90	245	0		19.06	18.94	19.17	18.65	18.62	18.69	21.87	21.79	21.95		
90	1	1	16-QAM	21.49	21.14	20.95	20.63	20.65	20.79	24.09	23.91	23.88	24.69	0.2944
90	1	1	64-QAM	20.05	19.61	19.36	19.29	19.35	19.09	22.70	22.49	22.24		
90	1	1	256-QAM	16.87	17.26	16.50	16.49	16.00	15.99	19.69	19.69	19.26		
Limit	EIRP < 1W			Result									Pass	

Part27Q NR n77 Maximum Average Power [dBm], DG = 0.6 dBi														
BW	RB	RB	Mod	Antenna 6			Antenna 1			Combine			EIRP	EIRP
(MHz)	Size	Offset		Lowest	Middle	Highest	Lowest	Middle	Highest	Lowest	Middle	Highest	(dBm)	(W)
100	1	1	QPSK	-	22.17	-	-	21.49	-	-	24.85	-	25.45	0.3508
100	1	271		-	21.84	-	-	21.41	-	-	24.64	-		
100	137	68		-	21.59	-	-	21.08	-	-	24.35	-		
100	1	0		-	20.88	-	-	19.24	-	-	23.15	-		
100	1	272		-	19.83	-	-	19.41	-	-	22.64	-		
100	273	0		-	19.10	-	-	18.56	-	-	21.85	-		
100	1	1	16-QAM	-	21.68	-	-	20.90	-	-	24.32	-	24.92	0.3105
100	1	1	64-QAM	-	19.97	-	-	19.52	-	-	22.76	-		
100	1	1	256-QAM	-	17.18	-	-	16.63	-	-	19.92	-		
Limit	EIRP < 1W			Result									Pass	



Part27Q NR n78 Maximum Average Power [dBm], DG = 0.6 dBi														
BW	RB	RB	Mod	Antenna 6			Antenna 1			Combine			EIRP	EIRP
(MHz)	Size	Offset		Lowest	Middle	Highest	Lowest	Middle	Highest	Lowest	Middle	Highest	(dBm)	(W)
10	1	1	QPSK	21.42	21.34	21.21	21.40	21.26	21.31	24.42	24.31	24.27	25.02	0.3177
10	1	22		21.27	21.27	21.24	21.40	21.19	21.28	24.35	24.24	24.27		
10	12	6		21.32	21.29	21.32	21.35	21.17	21.31	24.35	24.24	24.33		
10	1	0		19.48	19.40	19.20	19.36	19.27	19.29	22.43	22.35	22.26		
10	1	23		19.28	19.31	19.21	19.38	19.16	19.22	22.34	22.25	22.23		
10	24	0		18.82	18.79	18.77	18.85	18.68	18.80	21.85	21.75	21.80		
10	1	1	16-QAM	20.94	20.72	20.60	21.05	20.81	20.75	24.01	23.78	23.69	24.61	0.2891
10	1	1	64-QAM	19.44	19.25	19.14	19.26	19.17	19.42	22.36	22.22	22.29		
10	1	1	256-QAM	16.33	16.25	16.32	16.36	16.28	16.36	19.36	19.28	19.35		
Limit	EIRP < 1W			Result									Pass	

Part27Q NR n78 Maximum Average Power [dBm], DG = 0.6 dBi														
BW	RB	RB	Mod	Antenna 6			Antenna 1			Combine			EIRP	EIRP
(MHz)	Size	Offset		Lowest	Middle	Highest	Lowest	Middle	Highest	Lowest	Middle	Highest	(dBm)	(W)
15	1	1	QPSK	21.37	21.38	21.22	21.32	21.35	21.33	24.36	24.38	24.29	24.98	0.3148
15	1	36		21.17	21.26	21.26	21.46	21.28	21.34	24.33	24.28	24.31		
15	19	9		21.30	21.32	21.27	21.35	21.17	21.28	24.34	24.26	24.29		
15	1	0		19.43	19.43	19.29	19.34	19.38	19.32	22.40	22.42	22.32		
15	1	37		19.17	19.29	19.30	19.39	19.28	19.30	22.29	22.30	22.31		
15	38	0		18.80	18.79	18.75	18.89	18.71	18.79	21.86	21.76	21.78		
15	1	1	16-QAM	20.91	20.91	20.74	20.77	20.72	20.79	23.85	23.83	23.78	24.45	0.2786
15	1	1	64-QAM	19.49	19.32	19.18	19.45	19.46	19.39	22.48	22.40	22.30		
15	1	1	256-QAM	16.31	16.24	16.20	16.37	16.29	16.48	19.35	19.28	19.35		
Limit	EIRP < 1W			Result									Pass	



Part27Q NR n78 Maximum Average Power [dBm], DG = 0.6 dBi														
BW	RB	RB	Mod	Antenna 6			Antenna 1			Combine			EIRP	EIRP
(MHz)	Size	Offset		Lowest	Middle	Highest	Lowest	Middle	Highest	Lowest	Middle	Highest	(dBm)	(W)
20	1	1	QPSK	21.37	21.42	21.21	21.38	21.40	21.41	24.39	24.42	24.32	25.02	0.3177
20	1	49		21.20	21.30	21.29	21.53	21.29	21.30	24.38	24.31	24.31		
20	25	12		21.26	21.31	21.25	21.41	21.18	21.26	24.35	24.26	24.27		
20	1	0		19.43	19.47	19.24	19.42	19.41	19.41	22.44	22.45	22.34		
20	1	50		19.17	19.29	19.27	19.48	19.30	19.28	22.34	22.31	22.29		
20	51	0		18.76	18.79	18.74	18.91	18.69	18.76	21.85	21.75	21.76		
20	1	1	16-QAM	20.83	21.01	20.79	20.98	20.85	20.84	23.92	23.94	23.83	24.54	0.2844
20	1	1	64-QAM	19.53	19.37	19.20	19.48	19.41	19.34	22.52	22.40	22.28		
20	1	1	256-QAM	16.48	16.21	15.98	16.39	16.29	16.30	19.45	19.26	19.15		
Limit	EIRP < 1W			Result									Pass	

Part27Q NR n78 Maximum Average Power [dBm], DG = 0.6 dBi														
BW	RB	RB	Mod	Antenna 6			Antenna 1			Combine			EIRP	EIRP
(MHz)	Size	Offset		Lowest	Middle	Highest	Lowest	Middle	Highest	Lowest	Middle	Highest	(dBm)	(W)
25	1	1	QPSK	21.48	21.51	21.21	21.47	21.49	21.36	24.49	24.51	24.30	25.11	0.3243
25	1	63		21.24	21.26	21.25	21.45	21.29	21.19	24.36	24.29	24.23		
25	33	16		21.25	21.30	21.24	21.51	21.22	21.28	24.39	24.27	24.27		
25	1	0		19.55	19.45	19.26	19.45	19.38	19.38	22.51	22.43	22.33		
25	1	64		19.27	19.25	19.23	19.51	19.25	19.19	22.40	22.26	22.22		
25	65	0		18.76	18.80	18.72	18.95	18.71	18.79	21.87	21.77	21.77		
25	1	1	16-QAM	21.03	20.95	20.68	21.00	20.82	21.16	24.03	23.90	23.94	24.63	0.2904
25	1	1	64-QAM	19.37	19.44	19.17	19.34	19.58	19.39	22.37	22.52	22.29		
25	1	1	256-QAM	16.49	16.42	16.28	16.52	16.70	16.41	19.52	19.57	19.36		
Limit	EIRP < 1W			Result									Pass	



Part27Q NR n78 Maximum Average Power [dBm], DG = 0.6 dBi														
BW	RB	RB	Mod	Antenna 6			Antenna 1			Combine			EIRP	EIRP
(MHz)	Size	Offset		Lowest	Middle	Highest	Lowest	Middle	Highest	Lowest	Middle	Highest	(dBm)	(W)
30	1	1	QPSK	21.43	21.42	21.24	21.42	21.52	21.41	24.44	24.48	24.34	25.08	0.3221
30	1	76		21.19	21.11	21.22	21.42	21.30	21.31	24.32	24.22	24.28		
30	39	19		21.25	21.31	21.24	21.48	21.22	21.32	24.38	24.28	24.29		
30	1	0		19.49	19.50	19.25	19.47	19.51	19.40	22.49	22.52	22.34		
30	1	77		19.23	19.22	19.26	19.38	19.24	19.28	22.32	22.24	22.28		
30	78	0		18.77	18.81	18.74	18.97	18.73	18.81	21.88	21.78	21.79		
30	1	1	16-QAM	20.96	20.82	20.62	20.93	21.21	20.92	23.96	24.03	23.78	24.63	0.2904
30	1	1	64-QAM	19.47	19.47	19.22	19.54	19.51	19.47	22.52	22.50	22.36		
30	1	1	256-QAM	16.49	16.36	16.10	16.47	16.45	16.31	19.49	19.42	19.22		
Limit	EIRP < 1W			Result									Pass	

Part27Q NR n78 Maximum Average Power [dBm], DG = 0.6 dBi														
BW	RB	RB	Mod	Antenna 6			Antenna 1			Combine			EIRP	EIRP
(MHz)	Size	Offset		Lowest	Middle	Highest	Lowest	Middle	Highest	Lowest	Middle	Highest	(dBm)	(W)
40	1	1	QPSK	21.45	21.46	21.32	21.54	21.57	21.33	24.51	24.53	24.34	25.13	0.3258
40	1	104		21.39	21.18	21.14	21.31	21.22	21.23	24.36	24.21	24.20		
40	53	26		21.30	21.29	21.18	21.53	21.19	21.30	24.43	24.25	24.25		
40	1	0		19.64	19.46	19.38	19.44	19.51	19.31	22.55	22.50	22.36		
40	1	105		19.30	19.13	19.20	19.35	19.30	19.18	22.34	22.23	22.20		
40	106	0		18.83	18.74	18.68	18.99	18.75	18.76	21.92	21.76	21.73		
40	1	1	16-QAM	21.00	21.16	20.90	20.91	21.09	20.93	23.97	24.14	23.93	24.74	0.2979
40	1	1	64-QAM	19.59	19.38	19.18	19.33	19.75	19.41	22.47	22.58	22.31		
40	1	1	256-QAM	16.56	16.45	15.98	16.51	16.79	16.38	19.55	19.63	19.19		
Limit	EIRP < 1W			Result									Pass	



Part27Q NR n78 Maximum Average Power [dBm], DG = 0.6 dBi														
BW	RB	RB	Mod	Antenna 6			Antenna 1			Combine			EIRP	EIRP
(MHz)	Size	Offset		Lowest	Middle	Highest	Lowest	Middle	Highest	Lowest	Middle	Highest	(dBm)	(W)
50	1	1	QPSK	21.50	21.58	21.53	21.50	21.65	21.31	24.51	24.63	24.43	25.23	0.3334
50	1	131		21.27	21.27	21.31	21.15	21.30	21.21	24.22	24.30	24.27		
50	67	33		21.36	21.27	21.14	21.44	21.25	21.26	24.41	24.27	24.21		
50	1	0		19.59	19.50	19.38	19.35	19.68	19.31	22.48	22.60	22.36		
50	1	132		19.26	19.05	19.24	19.21	19.29	19.30	22.25	22.18	22.28		
50	133	0		18.74	18.86	18.66	18.93	18.77	18.83	21.85	21.83	21.76		
50	1	1	16-QAM	21.28	21.04	20.82	20.95	20.92	20.77	24.13	23.99	23.81	24.73	0.2972
50	1	1	64-QAM	19.47	19.34	19.30	19.58	19.82	19.42	22.54	22.60	22.37		
50	1	1	256-QAM	16.69	17.01	16.23	16.64	16.32	16.14	19.68	19.69	19.20		
Limit	EIRP < 1W			Result									Pass	

Part27Q NR n78 Maximum Average Power [dBm], DG = 0.6 dBi														
BW	RB	RB	Mod	Antenna 6			Antenna 1			Combine			EIRP	EIRP
(MHz)	Size	Offset		Lowest	Middle	Highest	Lowest	Middle	Highest	Lowest	Middle	Highest	(dBm)	(W)
60	1	1	QPSK	21.43	21.25	21.56	21.43	21.78	21.64	24.44	24.53	24.61	25.21	0.3319
60	1	160		21.13	21.13	21.24	21.22	21.39	21.24	24.19	24.27	24.25		
60	81	40		21.29	21.25	21.17	21.48	21.29	21.38	24.40	24.28	24.29		
60	1	0		19.59	19.42	19.70	19.62	19.79	19.44	22.62	22.62	22.58		
60	1	161		19.31	19.19	19.27	19.23	19.35	19.35	22.28	22.28	22.32		
60	162	0		18.75	18.84	18.70	18.96	18.75	18.74	21.87	21.81	21.73		
60	1	1	16-QAM	21.24	20.90	20.85	21.25	21.23	20.87	24.26	24.08	23.87	24.86	0.3062
60	1	1	64-QAM	19.65	19.16	19.38	19.51	19.72	19.56	22.59	22.46	22.48		
60	1	1	256-QAM	16.53	16.28	16.53	16.49	16.65	16.64	19.52	19.48	19.60		
Limit	EIRP < 1W			Result									Pass	



Part27Q NR n78 Maximum Average Power [dBm], DG = 0.6 dBi														
BW	RB	RB	Mod	Antenna 6			Antenna 1			Combine			EIRP	EIRP
(MHz)	Size	Offset		Lowest	Middle	Highest	Lowest	Middle	Highest	Lowest	Middle	Highest	(dBm)	(W)
70	1	1	QPSK	21.66	21.70	21.62	21.61	21.63	21.71	24.65	24.68	24.68	25.28	0.3373
70	1	187		21.23	21.34	21.40	21.27	21.40	21.28	24.26	24.38	24.35		
70	95	47		21.41	21.39	21.31	21.42	21.20	21.39	24.43	24.31	24.36		
70	1	0		19.56	20.93	19.68	19.50	19.84	19.71	22.54	23.43	22.71		
70	1	188		19.04	19.26	19.24	19.21	19.29	19.32	22.14	22.29	22.29		
70	189	0		18.90	19.11	18.82	18.88	18.82	18.86	21.90	21.98	21.85		
70	1	1	16-QAM	21.14	21.39	20.72	20.76	21.02	21.23	23.96	24.22	23.99	24.82	0.3034
70	1	1	64-QAM	19.47	20.17	19.41	19.73	19.64	19.48	22.61	22.92	22.46		
70	1	1	256-QAM	16.74	16.54	16.31	16.73	16.90	16.56	19.75	19.73	19.45		
Limit	EIRP < 1W			Result									Pass	

Part27Q NR n78 Maximum Average Power [dBm], DG = 0.6 dBi														
BW	RB	RB	Mod	Antenna 6			Antenna 1			Combine			EIRP	EIRP
(MHz)	Size	Offset		Lowest	Middle	Highest	Lowest	Middle	Highest	Lowest	Middle	Highest	(dBm)	(W)
80	1	1	QPSK	21.70	21.60	21.70	21.65	21.73	21.64	24.69	24.68	24.68	25.29	0.3381
80	1	215		21.25	21.35	21.30	21.32	21.32	21.28	24.30	24.35	24.30		
80	109	54		21.41	21.34	21.47	21.45	21.35	21.40	24.44	24.36	24.45		
80	1	0		19.78	19.71	19.56	19.71	19.71	19.75	22.76	22.72	22.67		
80	1	216		19.18	19.48	19.23	19.32	19.17	19.23	22.26	22.34	22.24		
80	217	0		19.00	18.92	18.96	18.87	18.83	18.96	21.95	21.89	21.97		
80	1	1	16-QAM	21.32	21.04	20.74	21.24	21.14	21.22	24.29	24.10	24.00	24.89	0.3083
80	1	1	64-QAM	19.60	19.49	19.53	19.24	19.88	19.81	22.43	22.70	22.68		
80	1	1	256-QAM	16.56	16.35	16.67	16.72	16.82	16.86	19.65	19.60	19.78		
Limit	EIRP < 1W			Result									Pass	



Part27Q NR n78 Maximum Average Power [dBm], DG = 0.6 dBi														
BW	RB	RB	Mod	Antenna 6			Antenna 1			Combine			EIRP	EIRP
(MHz)	Size	Offset		Lowest	Middle	Highest	Lowest	Middle	Highest	Lowest	Middle	Highest	(dBm)	(W)
90	1	1	QPSK	21.71	21.54	21.63	21.64	21.56	21.67	24.69	24.56	24.66	25.29	0.3381
90	1	243		21.37	21.29	21.34	21.23	21.18	21.22	24.31	24.25	24.29		
90	123	61		21.40	21.41	21.37	21.34	21.33	21.41	24.38	24.38	24.40		
90	1	0		19.84	19.64	19.64	19.67	19.67	19.82	22.77	22.67	22.74		
90	1	244		19.26	19.38	19.27	19.28	19.22	19.30	22.28	22.31	22.30		
90	245	0		18.91	18.79	18.88	18.91	18.78	18.90	21.92	21.80	21.90		
90	1	1	16-QAM	21.20	21.34	21.29	21.05	21.17	21.30	24.14	24.27	24.31	24.91	0.3097
90	1	1	64-QAM	19.98	19.66	19.74	19.76	19.56	19.87	22.88	22.62	22.82		
90	1	1	256-QAM	16.51	16.64	16.52	16.75	16.56	16.91	19.64	19.61	19.73		
Limit	EIRP < 1W			Result									Pass	

Part27Q NR n78 Maximum Average Power [dBm], DG = 0.6 dBi														
BW	RB	RB	Mod	Antenna 6			Antenna 1			Combine			EIRP	EIRP
(MHz)	Size	Offset		Lowest	Middle	Highest	Lowest	Middle	Highest	Lowest	Middle	Highest	(dBm)	(W)
100	1	1	QPSK	-	21.71	-	-	21.68	-	-	24.71	-	25.31	0.3396
100	1	271		-	21.35	-	-	21.30	-	-	24.34	-		
100	137	68		-	21.40	-	-	21.31	-	-	24.37	-		
100	1	0		-	19.91	-	-	19.72	-	-	22.83	-		
100	1	272		-	19.32	-	-	19.44	-	-	22.39	-		
100	273	0		-	18.91	-	-	18.78	-	-	21.86	-		
100	1	1	16-QAM	-	21.47	-	-	21.19	-	-	24.34	-	24.94	0.3119
100	1	1	64-QAM	-	20.05	-	-	19.81	-	-	22.94	-		
100	1	1	256-QAM	-	16.84	-	-	16.84	-	-	19.85	-		
Limit	EIRP < 1W			Result									Pass	



NR n41 Maximum Average Power [dBm], DG = 3.76 dBi														
BW (MHz)	RB Size	RB Offset	Mod	Antenna 0			Antenna 5			Combine			EIRP (dBm)	EIRP (W)
				Lowest	Middle	Highest	Lowest	Middle	Highest	Lowest	Middle	Highest		
10	1	1	QPSK	21.23	21.40	21.19	20.83	21.36	21.23	24.04	24.39	24.22	28.22	0.6637
10	1	22		21.23	21.38	21.14	20.89	21.35	21.28	24.07	24.38	24.22		
10	12	6		21.27	21.44	21.10	20.92	21.46	21.44	24.11	24.46	24.28		
10	1	0		19.23	19.26	19.00	18.92	19.36	19.17	22.09	22.32	22.10		
10	1	23		19.28	19.36	18.92	18.93	19.31	19.28	22.12	22.35	22.11		
10	24	0		19.79	19.87	19.51	19.42	19.90	19.80	22.62	22.90	22.67		
10	1	1	16-QAM	20.87	20.87	20.67	20.57	20.92	20.90	23.73	23.91	23.80	27.67	0.5848
10	1	1	64-QAM	19.24	19.20	19.06	19.03	19.67	19.18	22.15	22.45	22.13		
10	1	1	256-QAM	16.49	16.26	15.86	15.97	16.57	16.43	19.25	19.43	19.16		
Limit	Power < 2W			Result									Pass	

NR n41 Maximum Average Power [dBm], DG = 3.76 dBi														
BW (MHz)	RB Size	RB Offset	Mod	Antenna 0			Antenna 5			Combine			EIRP (dBm)	EIRP (W)
				Lowest	Middle	Highest	Lowest	Middle	Highest	Lowest	Middle	Highest		
15	1	1	QPSK	21.32	21.38	21.21	20.98	21.32	21.46	24.16	24.36	24.35	28.17	0.6561
15	1	36		21.20	21.33	21.14	20.92	21.42	21.55	24.07	24.39	24.36		
15	19	9		21.32	21.38	21.25	20.96	21.38	21.55	24.15	24.39	24.41		
15	1	0		19.20	19.28	19.20	18.84	19.22	19.34	22.03	22.26	22.28		
15	1	37		19.24	19.38	19.07	19.00	19.19	19.56	22.13	22.30	22.33		
15	38	0		19.80	19.89	19.73	19.57	19.90	19.98	22.70	22.91	22.87		
15	1	1	16-QAM	20.79	21.01	20.99	20.61	21.00	20.83	23.71	24.02	23.92	27.78	0.5998
15	1	1	64-QAM	19.32	19.36	19.18	19.05	19.70	19.37	22.20	22.54	22.29		
15	1	1	256-QAM	16.29	16.35	16.21	16.02	16.44	16.48	19.17	19.41	19.36		
Limit	Power < 2W			Result									Pass	





NR n41 Maximum Average Power [dBm], DG = 3.76 dBi														
BW (MHz)	RB Size	RB Offset	Mod	Antenna 0			Antenna 5			Combine			EIRP (dBm)	EIRP (W)
				Lowest	Middle	Highest	Lowest	Middle	Highest	Lowest	Middle	Highest		
20	1	1	QPSK	21.02	21.36	21.18	20.65	21.57	21.27	23.85	24.48	24.24	28.24	0.6668
20	1	49		21.21	21.31	21.23	20.82	21.30	21.34	24.03	24.32	24.30		
20	25	12		21.12	21.44	21.25	20.89	21.43	21.45	24.02	24.45	24.36		
20	1	0		19.14	19.35	19.15	18.68	19.35	19.32	21.93	22.36	22.25		
20	1	50		19.10	19.36	19.08	18.82	19.22	19.30	21.97	22.30	22.20		
20	51	0		19.56	19.85	19.72	19.22	19.87	19.90	22.40	22.87	22.82		
20	1	1	16-QAM	20.75	20.74	20.64	20.37	21.05	20.73	23.57	23.91	23.70	27.67	0.5848
20	1	1	64-QAM	19.22	19.37	19.32	18.67	19.51	19.33	21.96	22.45	22.34		
20	1	1	256-QAM	16.16	16.25	16.24	15.85	16.28	16.31	19.02	19.28	19.29		
Limit	Power < 2W			Result									Pass	

NR n41 Maximum Average Power [dBm], DG = 3.76 dBi														
BW (MHz)	RB Size	RB Offset	Mod	Antenna 0			Antenna 5			Combine			EIRP (dBm)	EIRP (W)
				Lowest	Middle	Highest	Lowest	Middle	Highest	Lowest	Middle	Highest		
30	1	1	QPSK	21.35	21.34	21.38	20.99	21.50	21.49	24.18	24.43	24.45	28.34	0.6823
30	1	76		21.22	21.32	21.39	20.87	21.32	21.75	24.06	24.33	24.58		
30	39	19		21.29	21.41	21.38	21.01	21.43	21.44	24.16	24.43	24.42		
30	1	0		19.31	19.33	19.32	18.78	19.49	19.28	22.06	22.42	22.31		
30	1	77		19.18	19.31	19.30	18.95	19.23	19.70	22.08	22.28	22.51		
30	78	0		19.73	19.90	19.84	19.53	19.90	20.00	22.64	22.91	22.93		
30	1	1	16-QAM	21.02	20.93	21.07	20.49	21.23	20.91	23.77	24.09	24.00	27.85	0.6095
30	1	1	64-QAM	19.21	19.48	19.48	18.81	19.49	19.42	22.02	22.50	22.46		
30	1	1	256-QAM	16.31	16.56	16.23	15.96	16.57	16.61	19.15	19.58	19.43		
Limit	Power < 2W			Result									Pass	

NR n41 Maximum Average Power [dBm], DG = 3.76 dBi														
BW (MHz)	RB Size	RB Offset	Mod	Antenna 0			Antenna 5			Combine			EIRP (dBm)	EIRP (W)
				Lowest	Middle	Highest	Lowest	Middle	Highest	Lowest	Middle	Highest		
40	1	1	QPSK	21.17	21.47	21.31	20.84	21.55	21.41	24.02	24.52	24.37	28.28	0.6730
40	1	76		21.28	21.44	21.22	20.87	21.42	21.54	24.09	24.44	24.39		
40	39	19		21.19	21.48	21.28	20.84	21.40	21.43	24.03	24.45	24.37		
40	1	0		19.19	19.37	19.36	18.78	19.55	19.27	22.00	22.47	22.33		
40	1	77		19.18	19.31	19.17	18.85	19.30	19.49	22.03	22.32	22.34		
40	78	0		19.70	19.91	19.80	19.33	19.89	19.89	22.53	22.91	22.86		
40	1	1	16-QAM	20.73	21.01	20.64	20.16	20.91	20.70	23.46	23.97	23.68	27.73	0.5929
40	1	1	64-QAM	19.30	19.30	19.15	18.84	19.55	19.40	22.09	22.44	22.29		
40	1	1	256-QAM	16.13	16.44	16.43	15.95	16.60	16.17	19.05	19.53	19.31		
Limit	Power < 2W			Result									Pass	



NR n41 Maximum Average Power [dBm], DG = 3.76 dBi														
BW (MHz)	RB Size	RB Offset	Mod	Antenna 0			Antenna 5			Combine			EIRP (dBm)	EIRP (W)
				Lowest	Middle	Highest	Lowest	Middle	Highest	Lowest	Middle	Highest		
50	1	1	QPSK	21.35	21.37	21.53	21.02	21.62	21.59	24.20	24.51	24.57	28.33	0.6808
50	1	131		21.37	21.30	21.25	20.98	21.40	21.66	24.19	24.36	24.47		
50	67	33		21.32	21.43	21.38	21.00	21.46	21.52	24.17	24.46	24.46		
50	1	0		19.30	19.38	19.51	18.98	19.56	19.55	22.15	22.48	22.54		
50	1	132		19.33	19.30	19.30	18.95	19.44	19.58	22.15	22.38	22.45		
50	133	0		19.80	19.97	19.85	19.49	19.97	19.97	22.66	22.98	22.92		
50	1	1	16-QAM	20.97	20.87	20.93	20.47	21.14	20.97	23.74	24.02	23.96	27.78	0.5998
50	1	1	64-QAM	19.29	19.45	19.49	19.07	19.69	19.19	22.19	22.58	22.35		
50	1	1	256-QAM	16.28	16.51	16.17	16.47	16.37	16.66	19.39	19.45	19.43		
Limit	Power < 2W			Result									Pass	

NR n41 Maximum Average Power [dBm], DG = 3.76 dBi														
BW (MHz)	RB Size	RB Offset	Mod	Antenna 0			Antenna 5			Combine			EIRP (dBm)	EIRP (W)
				Lowest	Middle	Highest	Lowest	Middle	Highest	Lowest	Middle	Highest		
60	1	1	QPSK	21.20	21.46	21.37	21.47	21.56	21.49	24.35	24.52	24.44	28.28	0.6730
60	1	160		21.43	21.40	21.21	21.52	21.52	21.45	24.49	24.47	24.34		
60	81	40		21.23	21.50	21.32	21.35	21.50	21.38	24.30	24.51	24.36		
60	1	0		19.20	19.30	19.38	19.40	19.56	19.45	22.31	22.44	22.43		
60	1	161		19.33	19.40	19.27	19.53	19.38	19.48	22.44	22.40	22.39		
60	162	0		19.73	19.97	19.76	19.92	20.00	19.94	22.84	23.00	22.86		
60	1	1	16-QAM	20.60	20.91	21.09	20.90	21.06	21.12	23.76	24.00	24.12	27.88	0.6138
60	1	1	64-QAM	19.14	19.46	19.24	19.60	19.73	19.77	22.39	22.61	22.52		
60	1	1	256-QAM	16.21	16.23	16.43	15.76	16.30	16.55	19.00	19.28	19.50		
Limit	Power < 2W			Result									Pass	



NR n41 Maximum Average Power [dBm], DG = 3.76 dBi														
BW (MHz)	RB Size	RB Offset	Mod	Antenna 0			Antenna 5			Combine			EIRP (dBm)	EIRP (W)
				Lowest	Middle	Highest	Lowest	Middle	Highest	Lowest	Middle	Highest		
70	1	1	QPSK	21.39	21.53	21.25	21.04	21.41	21.26	24.23	24.48	24.27	28.24	0.6668
70	1	187		21.41	21.31	21.24	21.17	21.53	21.66	24.30	24.43	24.47		
70	95	47		21.34	21.41	21.23	20.90	21.38	21.16	24.14	24.41	24.21		
70	1	0		19.24	19.50	19.21	19.05	19.44	19.27	22.16	22.48	22.25		
70	1	188		19.26	19.51	19.25	18.95	19.48	19.40	22.12	22.51	22.34		
70	189	0		19.81	19.92	19.76	19.29	19.87	19.83	22.57	22.91	22.81		
70	1	1	16-QAM	20.85	21.28	21.05	20.49	21.00	20.92	23.68	24.15	24.00	27.91	0.6180
70	1	1	64-QAM	19.51	19.60	19.49	18.71	19.48	19.50	22.14	22.55	22.51		
70	1	1	256-QAM	16.31	16.33	16.38	15.63	16.51	15.94	18.99	19.43	19.18		
Limit	Power < 2W			Result									Pass	

NR n41 Maximum Average Power [dBm], DG = 3.76 dBi														
BW (MHz)	RB Size	RB Offset	Mod	Antenna 0			Antenna 5			Combine			EIRP (dBm)	EIRP (W)
				Lowest	Middle	Highest	Lowest	Middle	Highest	Lowest	Middle	Highest		
80	1	1	QPSK	21.17	21.52	21.58	20.86	21.36	21.30	24.03	24.45	24.45	28.30	0.6761
80	1	215		21.47	21.49	21.41	21.01	21.46	21.65	24.26	24.49	24.54		
80	109	54		21.20	21.49	21.31	20.81	21.38	21.35	24.02	24.45	24.34		
80	1	0		19.37	19.37	19.38	18.92	19.42	19.23	22.16	22.41	22.32		
80	1	216		19.45	19.35	19.27	19.02	19.46	19.47	22.25	22.42	22.38		
80	217	0		19.67	19.86	19.81	19.22	19.93	19.88	22.46	22.91	22.86		
80	1	1	16-QAM	20.97	20.97	21.13	20.46	20.79	20.60	23.73	23.89	23.88	27.65	0.5821
80	1	1	64-QAM	19.21	19.39	19.62	18.82	19.49	19.94	22.03	22.45	22.79		
80	1	1	256-QAM	16.36	16.73	16.52	15.96	16.31	16.27	19.17	19.54	19.41		
Limit	Power < 2W			Result									Pass	



NR n41 Maximum Average Power [dBm], DG = 3.76 dBi														
BW (MHz)	RB Size	RB Offset	Mod	Antenna 0			Antenna 5			Combine			EIRP (dBm)	EIRP (W)
				Lowest	Middle	Highest	Lowest	Middle	Highest	Lowest	Middle	Highest		
90	1	1	QPSK	21.52	21.37	21.57	21.01	21.36	21.41	24.28	24.38	24.50	28.32	0.6792
90	1	243		21.42	21.61	21.28	20.97	21.48	21.72	24.21	24.56	24.52		
90	123	61		21.29	21.36	21.38	20.90	21.38	21.46	24.11	24.38	24.43		
90	1	0		19.38	19.48	19.47	19.02	19.51	19.38	22.21	22.51	22.44		
90	1	244		19.43	19.35	19.33	18.98	19.56	19.66	22.22	22.47	22.51		
90	245	0		19.84	19.91	19.76	19.49	19.93	19.94	22.68	22.93	22.86		
90	1	1	16-QAM	20.99	21.19	20.93	20.67	20.96	20.98	23.84	24.09	23.97	27.85	0.6095
90	1	1	64-QAM	19.59	19.40	19.47	19.08	19.41	19.59	22.35	22.42	22.54		
90	1	1	256-QAM	16.61	16.71	16.79	16.47	16.49	16.25	19.55	19.61	19.54		
Limit	Power < 2W			Result									Pass	

NR n41 Maximum Average Power [dBm], DG = 3.76 dBi														
BW (MHz)	RB Size	RB Offset	Mod	Antenna 0			Antenna 5			Combine			EIRP (dBm)	EIRP (W)
				Lowest	Middle	Highest	Lowest	Middle	Highest	Lowest	Middle	Highest		
100	1	1	QPSK	21.50	21.59	21.59	21.49	21.38	21.51	24.51	24.50	24.56	28.40	0.6918
100	1	271		21.66	21.43	21.39	21.59	21.55	21.75	24.64	24.50	24.58		
100	137	68		21.25	21.41	21.33	21.29	21.44	21.32	24.28	24.44	24.34		
100	1	0		19.27	19.44	19.51	19.51	19.46	19.54	22.40	22.46	22.54		
100	1	272		19.66	19.40	19.25	19.59	19.51	19.70	22.64	22.47	22.49		
100	273	0		19.79	19.87	19.80	19.86	19.86	19.84	22.84	22.88	22.83		
100	1	1	16-QAM	20.60	21.06	21.17	20.91	21.09	20.99	23.77	24.09	24.09	27.85	0.6095
100	1	1	64-QAM	19.50	19.44	19.46	19.73	19.59	19.58	22.63	22.53	22.53		
100	1	1	256-QAM	16.55	16.45	16.60	16.28	16.55	16.41	19.43	19.51	19.52		
Limit	Power < 2W			Result									Pass	



Part270 NR n77 Maximum Average Power [dBm], DG = -1.3 dBi														
BW (MHz)	RB Size	RB Offset	Mod	Antenna 7			Antenna 5			Combine			EIRP (dBm)	EIRP (W)
				Lowest	Middle	Highest	Lowest	Middle	Highest	Lowest	Middle	Highest		
10	1	1	QPSK	20.87	20.76	20.45	20.54	20.39	20.49	23.72	23.59	23.48	22.45	0.1758
10	1	22		20.90	20.81	20.44	20.57	20.38	20.46	23.75	23.61	23.46		
10	12	6		20.81	20.74	20.43	20.59	20.43	20.52	23.71	23.60	23.49		
10	1	0		18.84	18.69	18.39	18.55	18.36	18.46	21.71	21.54	21.44		
10	1	23		18.87	18.76	18.41	18.57	18.39	18.39	21.73	21.59	21.41		
10	24	0		18.30	18.24	17.89	18.07	17.89	17.98	21.20	21.08	20.95		
10	1	1	16-QAM	20.35	20.37	19.91	20.05	19.92	19.93	23.21	23.16	22.93	21.91	0.1552
10	1	1	64-QAM	18.87	18.94	18.30	18.47	18.34	18.49	21.68	21.66	21.41		
10	1	1	256-QAM	15.80	15.90	15.32	15.59	15.55	15.61	18.71	18.74	18.48		
Limit	EIRP < 1W			Result									Pass	

Part270 NR n77 Maximum Average Power [dBm], DG = -1.3 dBi														
BW (MHz)	RB Size	RB Offset	Mod	Antenna 7			Antenna 5			Combine			EIRP (dBm)	EIRP (W)
				Lowest	Middle	Highest	Lowest	Middle	Highest	Lowest	Middle	Highest		
15	1	1	QPSK	20.82	20.78	20.40	20.56	20.42	20.42	23.70	23.61	23.42	22.43	0.1750
15	1	36		20.83	20.92	20.39	20.60	20.48	20.42	23.73	23.72	23.42		
15	19	9		20.80	20.75	20.36	20.62	20.42	20.45	23.72	23.60	23.42		
15	1	0		18.80	18.78	18.31	18.56	18.41	18.42	21.69	21.61	21.38		
15	1	37		18.83	18.92	18.37	18.60	18.44	18.43	21.73	21.70	21.41		
15	38	0		18.26	18.30	17.86	18.10	17.96	17.93	21.19	21.14	20.91		
15	1	1	16-QAM	20.14	20.14	19.94	20.12	19.87	19.79	23.14	23.02	22.88	21.84	0.1528
15	1	1	64-QAM	18.87	18.85	18.51	18.58	18.39	18.36	21.74	21.64	21.45		
15	1	1	256-QAM	15.62	15.64	15.33	15.65	15.47	15.46	18.65	18.57	18.41		
Limit	EIRP < 1W			Result									Pass	



Part270 NR n77 Maximum Average Power [dBm], DG = -1.3 dBi														
BW (MHz)	RB Size	RB Offset	Mod	Antenna 7			Antenna 5			Combine			EIRP (dBm)	EIRP (W)
				Lowest	Middle	Highest	Lowest	Middle	Highest	Lowest	Middle	Highest		
20	1	1	QPSK	20.71	20.76	20.47	20.51	20.31	20.38	23.62	23.55	23.44	22.38	0.1730
20	1	49		20.60	20.91	20.37	20.49	20.36	20.40	23.56	23.65	23.40		
20	25	12		20.74	20.76	20.26	20.59	20.39	20.50	23.68	23.59	23.39		
20	1	0		18.71	18.77	18.46	18.52	18.38	18.47	21.63	21.59	21.48		
20	1	50		18.63	18.93	18.46	18.50	18.37	18.46	21.58	21.67	21.47		
20	51	0		18.25	18.30	17.93	18.07	17.93	18.02	21.17	21.13	20.99		
20	1	1	16-QAM	20.35	20.30	19.95	20.02	19.89	19.99	23.20	23.11	22.98	21.90	0.1549
20	1	1	64-QAM	18.65	18.91	18.57	18.57	18.52	18.43	21.62	21.73	21.51		
20	1	1	256-QAM	15.86	15.63	15.40	15.70	15.60	15.49	18.79	18.63	18.46		
Limit	EIRP < 1W			Result									Pass	

Part270 NR n77 Maximum Average Power [dBm], DG = -1.3 dBi														
BW (MHz)	RB Size	RB Offset	Mod	Antenna 7			Antenna 5			Combine			EIRP (dBm)	EIRP (W)
				Lowest	Middle	Highest	Lowest	Middle	Highest	Lowest	Middle	Highest		
25	1	1	QPSK	20.89	20.89	20.56	20.49	20.39	20.35	23.70	23.66	23.47	22.45	0.1758
25	1	63		20.80	21.06	20.52	20.45	20.39	20.40	23.64	23.75	23.47		
25	33	16		20.76	20.81	20.44	20.57	20.43	20.52	23.68	23.63	23.49		
25	1	0		18.84	18.85	18.53	18.56	18.40	18.36	21.71	21.64	21.46		
25	1	64		18.80	18.98	18.45	18.53	18.43	18.40	21.68	21.72	21.44		
25	65	0		18.26	18.32	17.91	18.08	17.93	17.99	21.18	21.14	20.96		
25	1	1	16-QAM	20.33	20.35	19.99	19.98	19.97	20.05	23.17	23.17	23.03	21.87	0.1538
25	1	1	64-QAM	18.94	18.56	18.54	18.43	18.51	18.35	21.70	21.55	21.46		
25	1	1	256-QAM	15.71	15.61	15.41	15.63	15.55	15.42	18.68	18.59	18.43		
Limit	EIRP < 1W			Result									Pass	



Part270 NR n77 Maximum Average Power [dBm], DG = -1.3 dBi														
BW (MHz)	RB Size	RB Offset	Mod	Antenna 7			Antenna 5			Combine			EIRP (dBm)	EIRP (W)
				Lowest	Middle	Highest	Lowest	Middle	Highest	Lowest	Middle	Highest		
30	1	1	QPSK	20.71	20.68	20.53	20.55	20.41	20.26	23.64	23.56	23.41	22.38	0.1730
30	1	76		20.58	20.79	20.30	20.54	20.54	20.38	23.57	23.68	23.35		
30	39	19		20.74	20.79	20.39	20.54	20.44	20.45	23.65	23.63	23.43		
30	1	0		18.74	18.65	18.50	18.62	18.41	18.29	21.69	21.54	21.41		
30	1	77		18.61	18.81	18.39	18.47	18.49	18.39	21.55	21.66	21.40		
30	78	0		18.22	18.25	17.86	18.02	17.90	17.93	21.13	21.09	20.91		
30	1	1	16-QAM	20.34	20.32	19.88	19.98	19.96	19.69	23.17	23.15	22.80	21.87	0.1538
30	1	1	64-QAM	18.90	18.76	18.33	18.43	18.38	18.46	21.68	21.58	21.41		
30	1	1	256-QAM	15.78	15.65	15.34	15.63	15.49	15.16	18.72	18.58	18.26		
Limit	EIRP < 1W			Result									Pass	

Part270 NR n77 Maximum Average Power [dBm], DG = -1.3 dBi														
BW (MHz)	RB Size	RB Offset	Mod	Antenna 7			Antenna 5			Combine			EIRP (dBm)	EIRP (W)
				Lowest	Middle	Highest	Lowest	Middle	Highest	Lowest	Middle	Highest		
40	1	1	QPSK	20.70	20.76	20.43	20.65	20.42	20.17	23.69	23.60	23.31	22.47	0.1766
40	1	104		20.73	20.82	20.39	20.43	20.70	20.40	23.59	23.77	23.41		
40	53	26		20.66	20.84	20.36	20.52	20.44	20.50	23.60	23.65	23.44		
40	1	0		18.61	18.70	18.46	18.65	18.38	18.20	21.64	21.55	21.34		
40	1	105		18.77	18.69	18.45	18.47	18.53	18.55	21.63	21.62	21.51		
40	106	0		18.23	18.29	17.87	17.92	17.81	17.86	21.09	21.07	20.88		
40	1	1	16-QAM	20.24	20.15	19.90	20.22	19.68	19.93	23.24	22.93	22.93	21.94	0.1563
40	1	1	64-QAM	18.86	18.54	18.47	18.43	18.32	18.29	21.66	21.44	21.39		
40	1	1	256-QAM	15.74	15.49	15.31	15.40	15.43	15.25	18.58	18.47	18.29		
Limit	EIRP < 1W			Result									Pass	



Part270 NR n77 Maximum Average Power [dBm], DG = -1.3 dBi														
BW (MHz)	RB Size	RB Offset	Mod	Antenna 7			Antenna 5			Combine			EIRP (dBm)	EIRP (W)
				Lowest	Middle	Highest	Lowest	Middle	Highest	Lowest	Middle	Highest		
50	1	1	QPSK	20.64	20.77	20.29	20.61	20.43	20.26	23.64	23.61	23.29	22.38	0.1730
50	1	131		20.92	20.83	20.43	20.38	20.50	20.42	23.67	23.68	23.44		
50	67	33		20.72	20.83	20.52	20.50	20.42	20.32	23.62	23.64	23.43		
50	1	0		18.81	18.80	18.29	18.63	18.39	18.21	21.73	21.61	21.26		
50	1	132		18.80	18.89	18.36	18.35	18.57	18.44	21.59	21.74	21.41		
50	133	0		18.25	18.22	18.00	17.93	17.94	17.75	21.10	21.09	20.89		
50	1	1	16-QAM	20.37	20.25	19.75	20.12	19.99	19.81	23.26	23.13	22.79	21.96	0.1570
50	1	1	64-QAM	18.65	18.88	18.34	18.44	18.41	18.13	21.56	21.66	21.25		
50	1	1	256-QAM	15.62	15.72	15.21	15.77	15.43	15.26	18.71	18.59	18.25		
Limit	EIRP < 1W			Result									Pass	

Part270 NR n77 Maximum Average Power [dBm], DG = -1.3 dBi														
BW (MHz)	RB Size	RB Offset	Mod	Antenna 7			Antenna 5			Combine			EIRP (dBm)	EIRP (W)
				Lowest	Middle	Highest	Lowest	Middle	Highest	Lowest	Middle	Highest		
60	1	1	QPSK	20.78	20.79	20.44	20.66	20.37	20.36	23.73	23.60	23.41	22.45	0.1758
60	1	160		20.93	20.91	20.57	20.54	20.52	20.43	23.75	23.73	23.51		
60	81	40		20.69	20.83	20.63	20.45	20.40	20.28	23.58	23.63	23.47		
60	1	0		18.81	18.74	18.44	18.57	18.37	18.24	21.70	21.57	21.35		
60	1	161		18.83	18.78	18.48	18.39	18.44	18.34	21.63	21.62	21.42		
60	162	0		18.08	18.24	18.03	17.90	17.95	17.76	21.00	21.11	20.91		
60	1	1	16-QAM	20.11	20.54	19.65	19.59	19.82	19.78	22.87	23.21	22.73	21.91	0.1552
60	1	1	64-QAM	18.63	18.91	18.16	18.58	18.47	18.32	21.62	21.71	21.25		
60	1	1	256-QAM	15.84	15.66	15.38	15.34	15.56	15.63	18.61	18.62	18.52		
Limit	EIRP < 1W			Result									Pass	





Part270 NR n77 Maximum Average Power [dBm], DG = -1.3 dBi														
BW (MHz)	RB Size	RB Offset	Mod	Antenna 7			Antenna 5			Combine			EIRP (dBm)	EIRP (W)
				Lowest	Middle	Highest	Lowest	Middle	Highest	Lowest	Middle	Highest		
70	1	1	QPSK	20.80	20.77	20.67	20.75	20.49	20.66	23.79	23.64	23.68	22.55	0.1799
70	1	187		20.97	20.78	20.66	20.71	20.47	20.50	23.85	23.64	23.59		
70	95	47		20.78	20.84	20.56	20.50	20.46	20.34	23.65	23.66	23.46		
70	1	0		18.77	18.80	18.55	18.70	18.58	18.65	21.75	21.70	21.61		
70	1	188		18.84	18.88	18.54	18.66	18.59	18.48	21.76	21.75	21.52		
70	189	0		18.31	18.19	18.08	18.03	17.85	17.85	21.18	21.03	20.98		
70	1	1	16-QAM	20.29	19.99	20.16	20.31	19.65	20.02	23.31	22.83	23.10	22.01	0.1589
70	1	1	64-QAM	18.89	18.85	18.78	18.60	18.56	18.58	21.76	21.72	21.69		
70	1	1	256-QAM	15.79	15.81	15.75	15.73	15.26	15.40	18.77	18.55	18.59		
Limit	EIRP < 1W			Result									Pass	

Part270 NR n77 Maximum Average Power [dBm], DG = -1.3 dBi														
BW (MHz)	RB Size	RB Offset	Mod	Antenna 7			Antenna 5			Combine			EIRP (dBm)	EIRP (W)
				Lowest	Middle	Highest	Lowest	Middle	Highest	Lowest	Middle	Highest		
80	1	1	QPSK	20.86	20.89	20.76	20.72	20.46	20.40	23.80	23.69	23.59	22.51	0.1782
80	1	215		20.92	20.88	20.43	20.68	20.43	20.56	23.81	23.67	23.51		
80	109	54		20.71	20.74	20.39	20.40	20.46	20.21	23.57	23.61	23.31		
80	1	0		18.82	18.86	18.81	18.74	18.44	18.58	21.79	21.67	21.71		
80	1	216		18.92	18.81	18.63	18.59	18.40	18.44	21.77	21.62	21.55		
80	217	0		18.20	18.19	18.04	18.03	17.95	17.73	21.13	21.08	20.90		
80	1	1	16-QAM	20.23	20.25	20.30	20.09	19.96	20.06	23.17	23.12	23.19	21.89	0.1545
80	1	1	64-QAM	18.68	18.80	18.74	18.62	18.65	18.57	21.66	21.74	21.67		
80	1	1	256-QAM	15.79	15.74	15.94	15.62	15.49	15.77	18.72	18.63	18.87		
Limit	EIRP < 1W			Result									Pass	



Part270 NR n77 Maximum Average Power [dBm], DG = -1.3 dBi														
BW (MHz)	RB Size	RB Offset	Mod	Antenna 7			Antenna 5			Combine			EIRP (dBm)	EIRP (W)
				Lowest	Middle	Highest	Lowest	Middle	Highest	Lowest	Middle	Highest		
90	1	1	QPSK	20.93	20.96	20.84	20.66	20.62	20.59	23.81	23.80	23.73	22.65	0.1841
90	1	243		21.13	20.92	20.65	20.75	20.31	20.52	23.95	23.64	23.60		
90	123	61		20.80	20.76	20.38	20.50	20.36	20.24	23.66	23.57	23.32		
90	1	0		18.79	18.98	18.72	18.72	18.54	18.59	21.77	21.78	21.67		
90	1	244		19.22	18.86	18.59	18.78	18.41	18.42	22.02	21.65	21.52		
90	245	0		18.30	18.39	17.98	17.94	17.86	17.76	21.13	21.14	20.88		
90	1	1	16-QAM	20.19	20.40	20.55	20.56	20.00	20.04	23.39	23.21	23.31	22.09	0.1618
90	1	1	64-QAM	18.93	18.77	18.68	19.06	18.46	18.71	22.01	21.63	21.71		
90	1	1	256-QAM	15.47	16.18	15.49	15.68	15.81	15.52	18.59	19.01	18.52		
Limit	EIRP < 1W			Result									Pass	

Part270 NR n77 Maximum Average Power [dBm], DG = -1.3 dBi														
BW (MHz)	RB Size	RB Offset	Mod	Antenna 7			Antenna 5			Combine			EIRP (dBm)	EIRP (W)
				Lowest	Middle	Highest	Lowest	Middle	Highest	Lowest	Middle	Highest		
100	1	1	QPSK	21.04	20.91	20.80	20.83	20.63	20.65	23.95	23.78	23.74	22.75	0.1884
100	1	271		21.24	21.05	20.68	20.83	20.49	20.60	24.05	23.79	23.65		
100	137	68		20.72	20.83	20.42	20.43	20.40	20.26	23.59	23.63	23.35		
100	1	0		18.92	18.77	18.73	18.78	18.65	18.70	21.86	21.72	21.73		
100	1	272		19.37	19.03	18.74	18.54	18.57	18.56	21.99	21.82	21.66		
100	273	0		18.39	18.36	18.05	18.08	17.91	17.89	21.25	21.15	20.98		
100	1	1	16-QAM	20.42	20.61	20.36	20.27	20.22	19.79	23.36	23.43	23.09	22.13	0.1633
100	1	1	64-QAM	19.11	18.85	19.01	18.70	18.67	18.70	21.92	21.77	21.87		
100	1	1	256-QAM	15.97	15.82	15.76	15.69	15.79	15.46	18.84	18.82	18.62		
Limit	EIRP < 1W			Result									Pass	



Part270 NR n78 Maximum Average Power [dBm], DG = -1.3 dBi														
BW (MHz)	RB Size	RB Offset	Mod	Antenna 7			Antenna 5			Combine			EIRP (dBm)	EIRP (W)
				Lowest	Middle	Highest	Lowest	Middle	Highest	Lowest	Middle	Highest		
10	1	1	QPSK	20.64	20.71	20.79	20.56	20.36	20.48	23.61	23.55	23.65	22.39	0.1734
10	1	22		20.67	20.71	20.83	20.62	20.44	20.44	23.66	23.59	23.65		
10	12	6		20.70	20.74	20.77	20.65	20.40	20.46	23.69	23.58	23.63		
10	1	0		18.63	18.68	18.74	18.53	18.34	18.45	21.59	21.52	21.61		
10	1	23		18.67	18.66	18.76	18.55	18.40	18.45	21.62	21.54	21.62		
10	24	0		18.18	18.22	18.28	18.14	17.89	17.93	21.17	21.07	21.12		
10	1	1	16-QAM	20.20	20.28	20.29	19.92	20.04	20.01	23.07	23.17	23.16	21.87	0.1538
10	1	1	64-QAM	18.78	18.82	18.77	18.70	18.48	18.40	21.75	21.66	21.60		
10	1	1	256-QAM	15.85	15.54	15.61	15.56	15.29	15.42	18.72	18.43	18.53		
Limit	EIRP < 1W			Result									Pass	

Part270 NR n78 Maximum Average Power [dBm], DG = -1.3 dBi														
BW (MHz)	RB Size	RB Offset	Mod	Antenna 7			Antenna 5			Combine			EIRP (dBm)	EIRP (W)
				Lowest	Middle	Highest	Lowest	Middle	Highest	Lowest	Middle	Highest		
15	1	1	QPSK	20.71	20.66	20.76	20.64	20.47	20.39	23.69	23.58	23.59	22.41	0.1742
15	1	36		20.74	20.63	20.85	20.66	20.49	20.45	23.71	23.57	23.66		
15	19	9		20.69	20.72	20.70	20.64	20.41	20.42	23.68	23.58	23.57		
15	1	0		18.72	18.61	18.72	18.63	18.42	18.38	21.69	21.53	21.56		
15	1	37		18.71	18.60	18.89	18.65	18.50	18.48	21.69	21.56	21.70		
15	38	0		18.17	18.22	18.23	18.13	17.91	17.91	21.16	21.08	21.08		
15	1	1	16-QAM	20.23	20.08	20.20	20.05	19.94	19.75	23.15	23.02	22.99	21.85	0.1531
15	1	1	64-QAM	18.61	18.70	18.78	18.59	18.33	18.32	21.61	21.53	21.57		
15	1	1	256-QAM	15.75	15.67	15.54	15.71	15.55	15.40	18.74	18.62	18.48		
Limit	EIRP < 1W			Result									Pass	



Part270 NR n78 Maximum Average Power [dBm], DG = -1.3 dBi														
BW (MHz)	RB Size	RB Offset	Mod	Antenna 7			Antenna 5			Combine			EIRP (dBm)	EIRP (W)
				Lowest	Middle	Highest	Lowest	Middle	Highest	Lowest	Middle	Highest		
20	1	1	QPSK	20.65	20.65	20.67	20.61	20.32	20.41	23.64	23.50	23.55	22.37	0.1726
20	1	49		20.52	20.59	20.75	20.55	20.35	20.47	23.55	23.48	23.62		
20	25	12		20.68	20.73	20.74	20.63	20.38	20.47	23.67	23.57	23.62		
20	1	0		18.63	18.65	18.60	18.64	18.36	18.39	21.65	21.52	21.51		
20	1	50		18.59	18.62	18.79	18.61	18.38	18.43	21.61	21.51	21.62		
20	51	0		18.23	18.24	18.25	18.17	17.90	17.96	21.21	21.08	21.12		
20	1	1	16-QAM	20.16	20.20	20.01	20.21	20.02	19.92	23.20	23.12	22.98	21.90	0.1549
20	1	1	64-QAM	18.70	18.56	18.51	18.52	18.58	18.31	21.62	21.58	21.42		
20	1	1	256-QAM	15.62	15.66	15.53	15.60	15.43	15.47	18.62	18.56	18.51		
Limit	EIRP < 1W			Result									Pass	

Part270 NR n78 Maximum Average Power [dBm], DG = -1.3 dBi														
BW (MHz)	RB Size	RB Offset	Mod	Antenna 7			Antenna 5			Combine			EIRP (dBm)	EIRP (W)
				Lowest	Middle	Highest	Lowest	Middle	Highest	Lowest	Middle	Highest		
25	1	1	QPSK	20.65	20.58	20.70	20.65	20.46	20.48	23.66	23.53	23.60	22.40	0.1738
25	1	63		20.59	20.61	20.89	20.56	20.51	20.48	23.59	23.57	23.70		
25	33	16		20.67	20.77	20.78	20.62	20.43	20.49	23.66	23.61	23.65		
25	1	0		18.66	18.68	18.69	18.61	18.47	18.53	21.65	21.59	21.62		
25	1	64		18.53	18.69	18.89	18.56	18.54	18.51	21.56	21.63	21.71		
25	65	0		18.16	18.23	18.24	18.11	17.93	17.99	21.15	21.09	21.13		
25	1	1	16-QAM	20.29	20.10	20.26	20.04	19.92	19.92	23.18	23.02	23.10	21.88	0.1542
25	1	1	64-QAM	18.54	18.43	18.64	18.50	18.58	18.48	21.53	21.52	21.57		
25	1	1	256-QAM	15.59	15.58	15.62	15.69	15.44	15.53	18.65	18.52	18.59		
Limit	EIRP < 1W			Result									Pass	



Part270 NR n78 Maximum Average Power [dBm], DG = -1.3 dBi														
BW (MHz)	RB Size	RB Offset	Mod	Antenna 7			Antenna 5			Combine			EIRP (dBm)	EIRP (W)
				Lowest	Middle	Highest	Lowest	Middle	Highest	Lowest	Middle	Highest		
30	1	1	QPSK	20.74	20.69	20.57	20.61	20.51	20.41	23.69	23.61	23.50	22.39	0.1734
30	1	76		20.65	20.66	20.81	20.60	20.61	20.50	23.64	23.65	23.67		
30	39	19		20.67	20.78	20.70	20.61	20.42	20.47	23.65	23.61	23.60		
30	1	0		18.68	18.67	18.55	18.61	18.47	18.40	21.66	21.58	21.49		
30	1	77		18.63	18.69	18.85	18.53	18.51	18.39	21.59	21.61	21.64		
30	78	0		18.13	18.24	18.16	18.09	17.96	17.96	21.12	21.11	21.07		
30	1	1	16-QAM	20.21	20.27	19.96	20.26	19.78	19.88	23.25	23.04	22.93	21.95	0.1567
30	1	1	64-QAM	18.78	18.53	18.33	18.74	18.44	18.60	21.77	21.50	21.48		
30	1	1	256-QAM	15.55	15.61	15.47	15.62	15.45	15.45	18.60	18.54	18.47		
Limit	EIRP < 1W			Result									Pass	

Part270 NR n78 Maximum Average Power [dBm], DG = -1.3 dBi														
BW (MHz)	RB Size	RB Offset	Mod	Antenna 7			Antenna 5			Combine			EIRP (dBm)	EIRP (W)
				Lowest	Middle	Highest	Lowest	Middle	Highest	Lowest	Middle	Highest		
40	1	1	QPSK	20.65	20.58	20.53	20.67	20.45	20.31	23.67	23.53	23.43	22.37	0.1726
40	1	104		20.62	20.64	20.73	20.44	20.49	20.58	23.54	23.58	23.67		
40	53	26		20.49	20.83	20.67	20.54	20.38	20.46	23.53	23.62	23.58		
40	1	0		18.61	18.56	18.38	18.55	18.32	18.33	21.59	21.45	21.37		
40	1	105		18.59	18.51	18.75	18.53	18.61	18.52	21.57	21.57	21.65		
40	106	0		18.06	18.21	18.18	17.98	17.95	17.99	21.03	21.09	21.10		
40	1	1	16-QAM	20.33	20.11	20.15	20.12	19.78	19.82	23.24	22.96	23.00	21.94	0.1563
40	1	1	64-QAM	18.77	18.61	18.37	18.44	18.33	18.43	21.62	21.48	21.41		
40	1	1	256-QAM	15.67	15.49	15.69	15.67	15.36	15.28	18.68	18.44	18.50		
Limit	EIRP < 1W			Result									Pass	



Part270 NR n78 Maximum Average Power [dBm], DG = -1.3 dBi														
BW (MHz)	RB Size	RB Offset	Mod	Antenna 7			Antenna 5			Combine			EIRP (dBm)	EIRP (W)
				Lowest	Middle	Highest	Lowest	Middle	Highest	Lowest	Middle	Highest		
50	1	1	QPSK	20.76	20.60	20.64	20.69	20.57	20.37	23.74	23.60	23.52	22.44	0.1754
50	1	131		20.86	20.70	20.77	20.59	20.52	20.48	23.74	23.62	23.64		
50	67	33		20.60	20.73	20.68	20.56	20.42	20.42	23.59	23.59	23.56		
50	1	0		18.70	18.55	18.68	18.66	18.52	18.33	21.69	21.55	21.52		
50	1	132		18.82	18.71	18.79	18.44	18.52	18.54	21.64	21.63	21.68		
50	133	0		18.12	18.20	18.05	17.99	18.02	17.94	21.07	21.12	21.01		
50	1	1	16-QAM	20.20	20.05	20.45	20.07	19.99	19.95	23.15	23.03	23.22	21.92	0.1556
50	1	1	64-QAM	18.58	18.45	18.80	18.71	18.52	18.22	21.66	21.50	21.53		
50	1	1	256-QAM	15.91	15.57	15.66	15.86	15.62	15.41	18.90	18.61	18.55		
Limit	EIRP < 1W			Result									Pass	

Part270 NR n78 Maximum Average Power [dBm], DG = -1.3 dBi														
BW (MHz)	RB Size	RB Offset	Mod	Antenna 7			Antenna 5			Combine			EIRP (dBm)	EIRP (W)
				Lowest	Middle	Highest	Lowest	Middle	Highest	Lowest	Middle	Highest		
60	1	1	QPSK	20.74	20.49	20.67	20.64	20.49	20.43	23.70	23.50	23.56	22.48	0.1770
60	1	160		20.75	20.85	20.98	20.71	20.58	20.55	23.74	23.73	23.78		
60	81	40		20.57	20.83	20.59	20.51	20.40	20.56	23.55	23.63	23.59		
60	1	0		18.69	18.47	18.57	18.55	18.57	18.43	21.63	21.53	21.51		
60	1	161		18.95	18.84	18.89	18.58	18.54	18.57	21.78	21.70	21.74		
60	162	0		18.21	18.25	18.02	18.00	18.02	18.02	21.12	21.15	21.03		
60	1	1	16-QAM	19.99	19.79	20.19	20.17	20.24	19.70	23.09	23.03	22.96	21.79	0.1510
60	1	1	64-QAM	18.53	18.79	18.50	18.43	18.56	18.64	21.49	21.69	21.58		
60	1	1	256-QAM	15.59	15.50	15.52	15.57	15.63	15.60	18.59	18.58	18.57		
Limit	EIRP < 1W			Result									Pass	



Part270 NR n78 Maximum Average Power [dBm], DG = -1.3 dBi														
BW (MHz)	RB Size	RB Offset	Mod	Antenna 7			Antenna 5			Combine			EIRP (dBm)	EIRP (W)
				Lowest	Middle	Highest	Lowest	Middle	Highest	Lowest	Middle	Highest		
70	1	1	QPSK	20.76	20.67	20.66	20.59	20.66	20.47	23.69	23.68	23.58	22.54	0.1795
70	1	187		20.82	21.01	21.05	20.64	20.65	20.52	23.74	23.84	23.80		
70	95	47		20.65	20.83	20.70	20.52	20.47	20.57	23.60	23.66	23.65		
70	1	0		18.74	18.67	18.60	18.70	18.57	18.46	21.73	21.63	21.54		
70	1	188		18.73	18.79	19.01	18.65	18.50	18.50	21.70	21.66	21.77		
70	189	0		18.15	18.30	18.22	17.99	18.05	18.14	21.08	21.19	21.19		
70	1	1	16-QAM	20.06	19.95	19.76	20.26	20.17	19.98	23.17	23.07	22.88	21.87	0.1538
70	1	1	64-QAM	18.85	18.43	18.62	18.68	18.38	18.22	21.78	21.42	21.43		
70	1	1	256-QAM	15.65	15.25	15.55	15.75	15.72	15.42	18.71	18.50	18.50		
Limit	EIRP < 1W			Result									Pass	

Part270 NR n78 Maximum Average Power [dBm], DG = -1.3 dBi														
BW (MHz)	RB Size	RB Offset	Mod	Antenna 7			Antenna 5			Combine			EIRP (dBm)	EIRP (W)
				Lowest	Middle	Highest	Lowest	Middle	Highest	Lowest	Middle	Highest		
80	1	1	QPSK	20.72	20.56	20.72	20.83	20.72	20.71	23.79	23.65	23.73	22.62	0.1828
80	1	215		21.03	21.08	21.06	20.70	20.66	20.75	23.88	23.89	23.92		
80	109	54		20.71	20.81	20.62	20.48	20.48	20.48	23.61	23.66	23.56		
80	1	0		18.82	18.75	18.65	18.78	18.66	18.69	21.81	21.72	21.68		
80	1	216		18.91	19.04	19.07	18.59	18.74	18.62	21.76	21.90	21.86		
80	217	0		18.20	18.32	18.22	17.95	18.05	18.05	21.09	21.20	21.15		
80	1	1	16-QAM	20.41	20.33	20.41	20.30	20.17	20.20	23.37	23.26	23.32	22.07	0.1611
80	1	1	64-QAM	18.76	18.73	18.52	18.82	18.84	18.90	21.80	21.80	21.72		
80	1	1	256-QAM	15.93	15.67	15.82	15.90	15.60	15.68	18.93	18.65	18.76		
Limit	EIRP < 1W			Result									Pass	



Part270 NR n78 Maximum Average Power [dBm], DG = -1.3 dBi														
BW (MHz)	RB Size	RB Offset	Mod	Antenna 7			Antenna 5			Combine			EIRP (dBm)	EIRP (W)
				Lowest	Middle	Highest	Lowest	Middle	Highest	Lowest	Middle	Highest		
90	1	1	QPSK	20.76	20.79	20.87	20.75	20.69	20.80	23.77	23.75	23.85	22.62	0.1828
90	1	243		21.12	21.05	21.05	20.65	20.76	20.66	23.90	23.92	23.87		
90	123	61		20.75	20.80	20.74	20.52	20.55	20.51	23.65	23.69	23.64		
90	1	0		18.77	18.67	18.70	18.77	18.72	18.72	21.78	21.71	21.72		
90	1	244		19.17	19.05	19.07	18.75	18.77	18.78	21.98	21.92	21.94		
90	245	0		18.27	18.33	18.28	17.99	18.02	18.08	21.14	21.19	21.19		
90	1	1	16-QAM	20.08	20.37	20.21	20.04	20.49	20.34	23.07	23.44	23.29	22.14	0.1637
90	1	1	64-QAM	18.84	18.78	18.92	18.77	18.58	18.76	21.82	21.69	21.85		
90	1	1	256-QAM	16.14	15.84	16.02	15.85	15.79	15.43	19.01	18.83	18.75		
Limit	EIRP < 1W			Result									Pass	

Part270 NR n78 Maximum Average Power [dBm], DG = -1.3 dBi														
BW (MHz)	RB Size	RB Offset	Mod	Antenna 7			Antenna 5			Combine			EIRP (dBm)	EIRP (W)
				Lowest	Middle	Highest	Lowest	Middle	Highest	Lowest	Middle	Highest		
100	1	1	QPSK	-	20.91	-	-	20.68	-	-	23.81	-	22.63	0.1832
100	1	271		-	21.19	-	-	20.63	-	-	23.93	-		
100	137	68		-	20.84	-	-	20.50	-	-	23.68	-		
100	1	0		-	18.75	-	-	18.80	-	-	21.79	-		
100	1	272		-	19.23	-	-	18.78	-	-	22.02	-		
100	273	0		-	18.39	-	-	18.05	-	-	21.23	-		
100	1	1	16-QAM	-	20.26	-	-	20.33	-	-	23.31	-	22.01	0.1589
100	1	1	64-QAM	-	18.77	-	-	19.01	-	-	21.90	-		
100	1	1	256-QAM	-	16.01	-	-	15.60	-	-	18.82	-		
Limit	EIRP < 1W			Result									Pass	





Part27Q NR n77 Maximum Average Power [dBm], DG = -1.3 dBi														
BW (MHz)	RB Size	RB Offset	Mod	Antenna 7			Antenna 5			Combine			EIRP (dBm)	EIRP (W)
				Lowest	Middle	Highest	Lowest	Middle	Highest	Lowest	Middle	Highest		
10	1	1	QPSK	21.03	20.93	20.88	20.81	20.69	20.59	23.93	23.82	23.75	22.63	0.1832
10	1	22		20.94	20.82	20.91	20.76	20.55	20.64	23.86	23.70	23.79		
10	12	6		20.88	20.82	20.97	20.81	20.56	20.66	23.86	23.70	23.83		
10	1	0		18.97	18.95	18.81	18.79	18.68	18.60	21.89	21.83	21.72		
10	1	23		18.83	18.87	18.85	18.73	18.58	18.64	21.79	21.74	21.76		
10	24	0		18.37	18.37	18.44	18.31	18.08	18.11	21.35	21.24	21.29		
10	1	1	16-QAM	20.43	20.32	20.61	20.25	20.12	20.07	23.35	23.23	23.36	22.06	0.1607
10	1	1	64-QAM	18.92	19.19	19.12	18.81	18.70	18.45	21.88	21.96	21.81		
10	1	1	256-QAM	15.94	15.88	15.94	15.74	15.50	15.50	18.85	18.70	18.74		
Limit	EIRP < 1W			Result									Pass	

Part27Q NR n77 Maximum Average Power [dBm], DG = -1.3 dBi														
BW (MHz)	RB Size	RB Offset	Mod	Antenna 7			Antenna 5			Combine			EIRP (dBm)	EIRP (W)
				Lowest	Middle	Highest	Lowest	Middle	Highest	Lowest	Middle	Highest		
15	1	1	QPSK	20.93	21.05	21.01	20.87	20.73	20.55	23.91	23.90	23.80	22.61	0.1824
15	1	36		20.69	20.91	21.05	20.82	20.54	20.65	23.77	23.74	23.86		
15	19	9		20.85	20.82	20.92	20.81	20.56	20.59	23.84	23.70	23.77		
15	1	0		18.90	19.00	18.97	18.87	18.72	18.56	21.90	21.87	21.78		
15	1	37		18.75	18.94	19.06	18.85	18.56	18.64	21.81	21.76	21.87		
15	38	0		18.38	18.36	18.44	18.33	18.09	18.10	21.37	21.24	21.28		
15	1	1	16-QAM	20.43	20.51	20.52	20.22	20.27	19.92	23.34	23.40	23.24	22.1	0.1622
15	1	1	64-QAM	19.01	19.17	19.17	18.77	18.75	18.36	21.90	21.98	21.79		
15	1	1	256-QAM	15.97	15.95	15.94	15.74	15.69	15.54	18.87	18.83	18.75		
Limit	EIRP < 1W			Result									Pass	



Part27Q NR n77 Maximum Average Power [dBm], DG = -1.3 dBi														
BW (MHz)	RB Size	RB Offset	Mod	Antenna 7			Antenna 5			Combine			EIRP (dBm)	EIRP (W)
				Lowest	Middle	Highest	Lowest	Middle	Highest	Lowest	Middle	Highest		
20	1	1	QPSK	21.02	21.06	21.00	20.84	20.73	20.56	23.94	23.91	23.80	22.64	0.1837
20	1	49		20.77	20.83	20.93	20.78	20.45	20.61	23.79	23.65	23.78		
20	25	12		20.83	20.82	20.97	20.82	20.55	20.54	23.84	23.70	23.77		
20	1	0		19.00	19.02	18.97	18.87	18.79	18.54	21.95	21.92	21.77		
20	1	50		18.79	18.86	18.96	18.82	18.48	18.61	21.82	21.68	21.80		
20	51	0		18.32	18.37	18.43	18.33	18.06	18.04	21.34	21.23	21.25		
20	1	1	16-QAM	20.42	20.56	20.43	20.27	20.18	20.15	23.36	23.38	23.30	22.08	0.1614
20	1	1	64-QAM	19.06	19.11	18.91	18.74	18.66	18.51	21.91	21.90	21.72		
20	1	1	256-QAM	16.07	15.98	16.14	16.00	15.66	15.58	19.05	18.83	18.88		
Limit	EIRP < 1W			Result									Pass	

Part27Q NR n77 Maximum Average Power [dBm], DG = -1.3 dBi														
BW (MHz)	RB Size	RB Offset	Mod	Antenna 7			Antenna 5			Combine			EIRP (dBm)	EIRP (W)
				Lowest	Middle	Highest	Lowest	Middle	Highest	Lowest	Middle	Highest		
25	1	1	QPSK	21.09	21.04	20.93	20.85	20.81	20.49	23.98	23.94	23.73	22.68	0.1854
25	1	63		20.91	20.85	20.92	20.79	20.50	20.55	23.86	23.69	23.75		
25	33	16		20.84	20.87	20.89	20.81	20.59	20.52	23.84	23.74	23.72		
25	1	0		19.04	19.03	18.96	18.83	18.83	18.54	21.95	21.94	21.77		
25	1	64		18.82	18.84	18.97	18.77	18.52	18.61	21.81	21.69	21.80		
25	65	0		18.38	18.39	18.42	18.37	18.08	18.05	21.39	21.25	21.25		
25	1	1	16-QAM	20.31	20.46	20.61	20.60	20.34	19.83	23.47	23.41	23.25	22.17	0.1648
25	1	1	64-QAM	18.98	18.97	19.16	18.88	18.86	18.48	21.94	21.93	21.84		
25	1	1	256-QAM	15.92	15.94	15.91	15.89	15.84	15.42	18.92	18.90	18.68		
Limit	EIRP < 1W			Result										



Part27Q NR n77 Maximum Average Power [dBm], DG = -1.3 dBi														
BW (MHz)	RB Size	RB Offset	Mod	Antenna 7			Antenna 5			Combine			EIRP (dBm)	EIRP (W)
				Lowest	Middle	Highest	Lowest	Middle	Highest	Lowest	Middle	Highest		
30	1	1	QPSK	21.07	21.08	21.00	20.87	20.84	20.51	23.98	23.97	23.77	22.68	0.1854
30	1	76		20.83	20.73	20.94	20.83	20.54	20.64	23.84	23.65	23.80		
30	39	19		20.84	20.88	20.95	20.82	20.58	20.59	23.84	23.74	23.78		
30	1	0		19.10	19.04	18.99	18.88	18.89	18.53	22.00	21.98	21.78		
30	1	77		18.85	18.84	19.00	18.73	18.55	18.61	21.80	21.71	21.82		
30	78	0		18.31	18.37	18.42	18.32	18.10	18.05	21.33	21.25	21.25		
30	1	1	16-QAM	20.42	20.35	20.72	20.68	20.50	20.07	23.56	23.44	23.42	22.26	0.1683
30	1	1	64-QAM	18.96	19.09	19.02	18.99	19.08	18.51	21.99	22.10	21.78		
30	1	1	256-QAM	15.99	16.25	15.85	15.88	15.99	15.43	18.95	19.13	18.66		
Limit	EIRP < 1W			Result									Pass	

Part27Q NR n77 Maximum Average Power [dBm], DG = -1.3 dBi														
BW (MHz)	RB Size	RB Offset	Mod	Antenna 7			Antenna 5			Combine			EIRP (dBm)	EIRP (W)
				Lowest	Middle	Highest	Lowest	Middle	Highest	Lowest	Middle	Highest		
40	1	1	QPSK	21.17	21.16	21.11	20.79	20.79	20.50	23.99	23.99	23.83	22.69	0.1858
40	1	104		20.96	20.81	20.85	20.76	20.38	20.53	23.87	23.61	23.70		
40	53	26		20.93	20.99	20.86	20.87	20.60	20.50	23.91	23.81	23.69		
40	1	0		19.17	19.10	19.05	18.82	18.78	18.58	22.01	21.95	21.83		
40	1	105		18.92	18.72	18.86	18.69	18.35	18.47	21.82	21.55	21.68		
40	106	0		18.32	18.33	18.34	18.35	18.10	18.02	21.35	21.23	21.19		
40	1	1	16-QAM	20.74	20.70	20.69	20.68	20.32	20.00	23.72	23.52	23.37	22.42	0.1746
40	1	1	64-QAM	18.77	19.09	19.10	18.97	18.82	18.59	21.88	21.97	21.86		
40	1	1	256-QAM	15.90	16.21	16.19	15.90	15.99	15.54	18.91	19.11	18.89		
Limit	EIRP < 1W			Result										



Part27Q NR n77 Maximum Average Power [dBm], DG = -1.3 dBi														
BW (MHz)	RB Size	RB Offset	Mod	Antenna 7			Antenna 5			Combine			EIRP (dBm)	EIRP (W)
				Lowest	Middle	Highest	Lowest	Middle	Highest	Lowest	Middle	Highest		
50	1	1	QPSK	21.23	20.93	21.17	20.81	20.84	20.52	24.04	23.90	23.87	22.74	0.1879
50	1	131		20.79	20.67	20.76	20.58	20.43	20.62	23.70	23.56	23.70		
50	67	33		20.84	20.87	20.88	20.86	20.54	20.43	23.86	23.72	23.67		
50	1	0		19.10	19.03	19.06	18.86	18.87	18.65	21.99	21.96	21.87		
50	1	132		18.79	18.59	18.88	18.64	18.49	18.56	21.73	21.55	21.73		
50	133	0		18.38	18.39	18.31	18.27	18.09	18.02	21.34	21.25	21.18		
50	1	1	16-QAM	20.46	20.42	20.83	20.18	20.48	20.23	23.33	23.46	23.55	22.25	0.1679
50	1	1	64-QAM	19.03	19.22	19.33	18.88	19.02	18.55	21.97	22.13	21.97		
50	1	1	256-QAM	15.98	16.00	16.01	16.04	15.90	15.57	19.02	18.96	18.81		
Limit	EIRP < 1W			Result									Pass	

Part27Q NR n77 Maximum Average Power [dBm], DG = -1.3 dBi														
BW (MHz)	RB Size	RB Offset	Mod	Antenna 7			Antenna 5			Combine			EIRP (dBm)	EIRP (W)
				Lowest	Middle	Highest	Lowest	Middle	Highest	Lowest	Middle	Highest		
60	1	1	QPSK	21.13	21.06	21.29	20.86	20.87	20.77	24.01	23.98	24.05	22.75	0.1884
60	1	160		20.89	20.75	20.94	20.48	20.40	20.53	23.70	23.59	23.75		
60	81	40		21.00	20.84	20.81	20.79	20.63	20.56	23.91	23.75	23.70		
60	1	0		19.11	19.01	19.21	18.95	18.80	18.83	22.04	21.92	22.03		
60	1	161		18.76	18.73	18.84	18.47	18.46	18.53	21.63	21.61	21.70		
60	162	0		18.43	18.43	18.37	18.21	17.93	18.08	21.33	21.20	21.24		
60	1	1	16-QAM	20.87	20.69	20.82	20.29	20.39	20.33	23.60	23.55	23.59	22.3	0.1698
60	1	1	64-QAM	19.16	19.04	19.18	18.99	18.95	18.93	22.09	22.01	22.07		
60	1	1	256-QAM	15.98	16.14	15.99	15.79	16.16	15.67	18.90	19.16	18.84		
Limit	EIRP < 1W			Result									Pass	



Part27Q NR n77 Maximum Average Power [dBm], DG = -1.3 dBi														
BW (MHz)	RB Size	RB Offset	Mod	Antenna 7			Antenna 5			Combine			EIRP (dBm)	EIRP (W)
				Lowest	Middle	Highest	Lowest	Middle	Highest	Lowest	Middle	Highest		
70	1	1	QPSK	21.36	21.19	21.39	20.94	21.04	21.10	24.17	24.13	24.26	22.96	0.1977
70	1	187		20.82	20.86	20.97	20.41	20.52	20.36	23.63	23.70	23.69		
70	95	47		20.98	20.89	20.99	20.79	20.59	20.67	23.90	23.75	23.84		
70	1	0		19.19	19.21	19.27	18.95	18.84	18.92	22.08	22.04	22.11		
70	1	188		18.75	18.86	18.92	18.42	18.40	18.40	21.60	21.65	21.68		
70	189	0		18.49	18.38	18.46	18.26	18.12	18.13	21.39	21.26	21.31		
70	1	1	16-QAM	20.76	20.73	21.01	20.78	20.39	20.49	23.78	23.57	23.77	22.48	0.1770
70	1	1	64-QAM	19.40	19.21	19.56	18.94	18.80	18.80	22.19	22.02	22.21		
70	1	1	256-QAM	16.37	16.43	15.88	15.77	16.05	15.88	19.09	19.25	18.89		
Limit	EIRP < 1W			Result									Pass	

Part27Q NR n77 Maximum Average Power [dBm], DG = -1.3 dBi														
BW (MHz)	RB Size	RB Offset	Mod	Antenna 7			Antenna 5			Combine			EIRP (dBm)	EIRP (W)
				Lowest	Middle	Highest	Lowest	Middle	Highest	Lowest	Middle	Highest		
80	1	1	QPSK	21.42	21.19	21.47	21.04	21.04	21.01	24.24	24.13	24.26	22.96	0.1977
80	1	215		20.89	20.71	20.90	20.56	20.51	20.61	23.74	23.62	23.77		
80	109	54		21.13	20.97	21.03	20.85	20.56	20.62	24.00	23.78	23.84		
80	1	0		19.21	19.24	19.41	19.04	19.00	19.00	22.14	22.13	22.22		
80	1	216		18.84	18.84	18.90	18.39	18.54	18.49	21.63	21.70	21.71		
80	217	0		18.54	18.45	18.61	18.27	18.05	18.24	21.42	21.26	21.44		
80	1	1	16-QAM	21.16	20.44	20.84	20.51	20.55	20.62	23.86	23.51	23.74	22.56	0.1803
80	1	1	64-QAM	19.32	18.96	19.42	18.99	19.22	19.00	22.17	22.10	22.23		
80	1	1	256-QAM	16.37	16.17	16.43	15.90	16.08	16.04	19.15	19.14	19.25		
Limit	EIRP < 1W			Result										



Part27Q NR n77 Maximum Average Power [dBm], DG = -1.3 dBi														
BW (MHz)	RB Size	RB Offset	Mod	Antenna 7			Antenna 5			Combine			EIRP (dBm)	EIRP (W)
				Lowest	Middle	Highest	Lowest	Middle	Highest	Lowest	Middle	Highest		
90	1	1	QPSK	21.30	21.25	21.42	21.03	21.13	21.11	24.18	24.20	24.28	22.98	0.1986
90	1	243		20.84	20.73	21.12	20.49	20.48	20.47	23.68	23.62	23.82		
90	123	61		21.23	20.91	20.80	20.67	20.60	20.65	23.97	23.77	23.74		
90	1	0		19.31	19.15	19.39	19.05	19.13	19.01	22.19	22.15	22.21		
90	1	244		18.77	18.67	18.89	18.42	18.62	18.71	21.61	21.66	21.81		
90	245	0		18.42	18.43	18.50	18.15	18.10	18.08	21.30	21.28	21.31		
90	1	1	16-QAM	20.77	21.23	20.84	20.56	20.62	20.72	23.68	23.95	23.79	22.65	0.1841
90	1	1	64-QAM	19.51	19.27	19.32	19.19	18.90	18.97	22.36	22.10	22.16		
90	1	1	256-QAM	16.36	16.13	16.36	16.18	15.95	15.93	19.28	19.05	19.16		
Limit	EIRP < 1W			Result									Pass	

Part27Q NR n77 Maximum Average Power [dBm], DG = -1.3 dBi														
BW (MHz)	RB Size	RB Offset	Mod	Antenna 7			Antenna 5			Combine			EIRP (dBm)	EIRP (W)
				Lowest	Middle	Highest	Lowest	Middle	Highest	Lowest	Middle	Highest		
100	1	1	QPSK	-	18.44	-	-	21.06	-	-	22.95	-	22.53	0.1791
100	1	271		-	20.86	-	-	20.74	-	-	23.81	-		
100	137	68		-	20.98	-	-	20.66	-	-	23.83	-		
100	1	0		-	19.24	-	-	19.16	-	-	22.21	-		
100	1	272		-	18.82	-	-	18.66	-	-	21.75	-		
100	273	0		-	18.35	-	-	18.15	-	-	21.26	-		
100	1	1	16-QAM	-	21.07	-	-	20.49	-	-	23.80	-	22.5	0.1778
100	1	1	64-QAM	-	19.12	-	-	19.19	-	-	22.17	-		
100	1	1	256-QAM	-	16.44	-	-	16.31	-	-	19.39	-		
Limit	EIRP < 1W			Result										



Part27Q NR n78 Maximum Average Power [dBm], DG = -1.3 dBi														
BW (MHz)	RB Size	RB Offset	Mod	Antenna 7			Antenna 5			Combine			EIRP (dBm)	EIRP (W)
				Lowest	Middle	Highest	Lowest	Middle	Highest	Lowest	Middle	Highest		
10	1	1	QPSK	20.89	20.81	20.82	20.92	20.85	20.73	23.92	23.84	23.79	22.62	0.1828
10	1	22		20.75	20.71	20.86	20.86	20.77	20.75	23.82	23.75	23.82		
10	12	6		20.77	20.72	20.78	20.97	20.78	20.81	23.88	23.76	23.81		
10	1	0		18.82	18.77	18.77	18.92	18.87	18.72	21.88	21.83	21.76		
10	1	23		18.71	18.69	18.77	18.90	18.76	18.81	21.82	21.74	21.80		
10	24	0		18.25	18.19	18.27	18.45	18.24	18.25	21.36	21.23	21.27		
10	1	1	16-QAM	20.35	20.47	20.40	20.53	20.42	20.21	23.45	23.46	23.32	22.16	0.1644
10	1	1	64-QAM	18.77	18.87	18.68	18.96	18.91	18.56	21.88	21.90	21.63		
10	1	1	256-QAM	15.73	15.66	15.70	16.00	15.80	15.77	18.88	18.74	18.75		
Limit	EIRP < 1W			Result									Pass	

Part27Q NR n78 Maximum Average Power [dBm], DG = -1.3 dBi														
BW (MHz)	RB Size	RB Offset	Mod	Antenna 7			Antenna 5			Combine			EIRP (dBm)	EIRP (W)
				Lowest	Middle	Highest	Lowest	Middle	Highest	Lowest	Middle	Highest		
15	1	1	QPSK	20.85	20.90	20.82	21.00	20.89	20.68	23.94	23.91	23.76	22.64	0.1837
15	1	36		20.70	20.77	20.86	20.95	20.74	20.76	23.84	23.77	23.82		
15	19	9		20.73	20.72	20.75	20.96	20.73	20.77	23.86	23.74	23.77		
15	1	0		18.80	18.81	18.75	18.99	18.88	18.66	21.91	21.86	21.72		
15	1	37		18.69	18.76	18.84	18.92	18.71	18.77	21.82	21.75	21.82		
15	38	0		18.20	18.21	18.26	18.44	18.22	18.22	21.33	21.23	21.25		
15	1	1	16-QAM	20.46	20.42	20.32	20.40	20.42	20.23	23.44	23.43	23.29	22.14	0.1637
15	1	1	64-QAM	18.82	18.80	18.81	18.99	19.02	18.76	21.92	21.92	21.80		
15	1	1	256-QAM	15.80	15.59	15.58	16.06	15.89	15.78	18.94	18.75	18.69		
Limit	EIRP < 1W			Result									Pass	



Part27Q NR n78 Maximum Average Power [dBm], DG = -1.3 dBi														
BW (MHz)	RB Size	RB Offset	Mod	Antenna 7			Antenna 5			Combine			EIRP (dBm)	EIRP (W)
				Lowest	Middle	Highest	Lowest	Middle	Highest	Lowest	Middle	Highest		
20	1	1	QPSK	20.88	20.92	20.84	20.98	20.96	20.69	23.94	23.95	23.78	22.65	0.1841
20	1	49		20.61	20.68	20.78	20.94	20.67	20.72	23.79	23.69	23.76		
20	25	12		20.70	20.71	20.75	20.95	20.73	20.70	23.84	23.73	23.74		
20	1	0		18.83	18.86	18.78	18.96	18.96	18.66	21.91	21.92	21.73		
20	1	50		18.64	18.73	18.80	18.89	18.70	18.71	21.78	21.73	21.77		
20	51	0		18.16	18.19	18.24	18.45	18.20	18.18	21.32	21.21	21.22		
20	1	1	16-QAM	20.37	20.52	20.32	20.48	20.30	20.25	23.44	23.42	23.30	22.14	0.1637
20	1	1	64-QAM	18.66	18.95	18.79	18.88	19.01	18.71	21.78	21.99	21.76		
20	1	1	256-QAM	15.76	15.80	15.65	15.98	15.99	15.70	18.88	18.91	18.69		
Limit	EIRP < 1W			Result									Pass	

Part27Q NR n78 Maximum Average Power [dBm], DG = -1.3 dBi														
BW (MHz)	RB Size	RB Offset	Mod	Antenna 7			Antenna 5			Combine			EIRP (dBm)	EIRP (W)
				Lowest	Middle	Highest	Lowest	Middle	Highest	Lowest	Middle	Highest		
25	1	1	QPSK	20.91	20.91	20.76	21.01	21.01	20.68	23.97	23.97	23.73	22.67	0.1849
25	1	63		20.72	20.69	20.77	20.95	20.68	20.73	23.85	23.70	23.76		
25	33	16		20.71	20.71	20.75	21.01	20.75	20.74	23.87	23.74	23.76		
25	1	0		18.87	18.86	18.78	19.03	18.99	18.70	21.96	21.94	21.75		
25	1	64		18.67	18.67	18.77	18.93	18.67	18.77	21.81	21.68	21.78		
25	65	0		18.19	18.22	18.29	18.46	18.22	18.24	21.34	21.23	21.28		
25	1	1	16-QAM	20.31	20.51	20.40	20.47	20.39	20.16	23.40	23.46	23.29	22.16	0.1644
25	1	1	64-QAM	18.86	18.81	18.74	18.96	18.94	18.63	21.92	21.89	21.70		
25	1	1	256-QAM	15.95	15.97	15.69	15.98	16.06	15.71	18.98	19.03	18.71		
Limit	EIRP < 1W			Result									Pass	





Part27Q NR n78 Maximum Average Power [dBm], DG = -1.3 dBi														
BW (MHz)	RB Size	RB Offset	Mod	Antenna 7			Antenna 5			Combine			EIRP (dBm)	EIRP (W)
				Lowest	Middle	Highest	Lowest	Middle	Highest	Lowest	Middle	Highest		
30	1	1	QPSK	20.92	20.97	20.91	20.99	20.97	20.72	23.97	23.98	23.83	22.68	0.1854
30	1	76		20.66	20.67	20.83	20.93	20.62	20.70	23.81	23.66	23.78		
30	39	19		20.72	20.74	20.78	20.95	20.79	20.75	23.85	23.78	23.78		
30	1	0		18.91	18.88	18.84	19.02	18.97	18.82	21.98	21.94	21.84		
30	1	77		18.75	18.65	18.89	18.92	18.59	18.65	21.85	21.63	21.78		
30	78	0		18.25	18.22	18.26	18.53	18.23	18.31	21.40	21.24	21.30		
30	1	1	16-QAM	20.43	20.38	20.30	20.56	20.47	20.06	23.51	23.44	23.19	22.21	0.1663
30	1	1	64-QAM	18.90	18.85	18.83	18.99	18.93	18.70	21.96	21.90	21.78		
30	1	1	256-QAM	15.80	15.88	15.71	15.99	16.03	15.67	18.91	18.97	18.70		
Limit	EIRP < 1W			Result									Pass	

Part27Q NR n78 Maximum Average Power [dBm], DG = -1.3 dBi														
BW (MHz)	RB Size	RB Offset	Mod	Antenna 7			Antenna 5			Combine			EIRP (dBm)	EIRP (W)
				Lowest	Middle	Highest	Lowest	Middle	Highest	Lowest	Middle	Highest		
40	1	1	QPSK	21.03	20.95	20.90	21.09	21.17	20.73	24.07	24.07	23.83	22.77	0.1892
40	1	104		20.86	20.61	20.66	20.86	20.70	20.84	23.87	23.67	23.76		
40	53	26		20.77	20.82	20.75	21.02	20.74	20.72	23.91	23.79	23.75		
40	1	0		18.89	18.82	18.84	19.10	19.02	18.79	22.01	21.93	21.83		
40	1	105		18.64	18.51	18.68	18.91	18.67	18.86	21.79	21.60	21.78		
40	106	0		18.25	18.15	18.27	18.53	18.25	18.16	21.40	21.21	21.23		
40	1	1	16-QAM	20.53	20.36	20.44	20.52	20.52	20.28	23.54	23.45	23.37	22.24	0.1675
40	1	1	64-QAM	18.94	18.92	18.86	19.25	19.03	18.72	22.11	21.99	21.80		
40	1	1	256-QAM	16.09	15.73	16.06	15.90	16.29	15.91	19.01	19.03	19.00		
Limit	EIRP < 1W			Result										



Part27Q NR n78 Maximum Average Power [dBm], DG = -1.3 dBi														
BW (MHz)	RB Size	RB Offset	Mod	Antenna 7			Antenna 5			Combine			EIRP (dBm)	EIRP (W)
				Lowest	Middle	Highest	Lowest	Middle	Highest	Lowest	Middle	Highest		
50	1	1	QPSK	21.00	20.92	20.93	21.13	21.04	20.72	24.08	23.99	23.84	22.78	0.1897
50	1	131		20.63	20.60	20.63	20.59	20.69	20.79	23.62	23.66	23.72		
50	67	33		20.78	20.71	20.73	20.99	20.82	20.70	23.90	23.78	23.73		
50	1	0		18.89	18.83	19.01	19.02	19.00	18.76	21.97	21.93	21.90		
50	1	132		18.71	18.45	18.71	18.71	18.55	18.74	21.72	21.51	21.74		
50	133	0		18.30	18.33	18.28	18.52	18.26	18.19	21.42	21.31	21.25		
50	1	1	16-QAM	20.51	20.59	20.45	20.43	20.44	20.21	23.48	23.53	23.34	22.23	0.1671
50	1	1	64-QAM	19.24	18.91	19.00	19.01	18.93	18.65	22.14	21.93	21.84		
50	1	1	256-QAM	15.97	15.83	15.82	15.86	16.16	15.83	18.93	19.01	18.84		
Limit	EIRP < 1W			Result									Pass	

Part27Q NR n78 Maximum Average Power [dBm], DG = -1.3 dBi														
BW (MHz)	RB Size	RB Offset	Mod	Antenna 7			Antenna 5			Combine			EIRP (dBm)	EIRP (W)
				Lowest	Middle	Highest	Lowest	Middle	Highest	Lowest	Middle	Highest		
60	1	1	QPSK	21.08	18.00	21.20	21.15	21.13	21.04	24.13	22.85	24.13	22.83	0.1919
60	1	160		20.74	20.70	20.84	20.71	20.65	20.83	23.74	23.69	23.85		
60	81	40		20.91	20.75	20.72	20.90	20.76	20.73	23.92	23.77	23.74		
60	1	0		18.99	18.85	19.23	19.01	19.20	19.09	22.01	22.04	22.17		
60	1	161		18.71	18.71	18.86	18.66	18.61	18.76	21.70	21.67	21.82		
60	162	0		18.33	18.21	18.35	18.41	18.29	18.21	21.38	21.26	21.29		
60	1	1	16-QAM	20.53	20.46	20.78	20.73	20.49	20.68	23.64	23.49	23.74	22.44	0.1754
60	1	1	64-QAM	18.98	18.55	19.09	18.75	18.79	19.09	21.88	21.68	22.10		
60	1	1	256-QAM	15.94	15.99	16.05	15.84	16.19	16.12	18.90	19.10	19.10		
Limit	EIRP < 1W			Result										



Part27Q NR n78 Maximum Average Power [dBm], DG = -1.3 dBi														
BW (MHz)	RB Size	RB Offset	Mod	Antenna 7			Antenna 5			Combine			EIRP (dBm)	EIRP (W)
				Lowest	Middle	Highest	Lowest	Middle	Highest	Lowest	Middle	Highest		
70	1	1	QPSK	21.12	21.09	21.20	21.12	21.22	21.09	24.13	24.17	24.16	22.87	0.1936
70	1	187		20.73	20.74	20.73	20.49	20.69	20.79	23.62	23.73	23.77		
70	95	47		20.99	20.77	20.91	20.97	20.79	20.79	23.99	23.79	23.86		
70	1	0		19.20	19.01	19.12	18.97	19.13	19.05	22.10	22.08	22.10		
70	1	188		18.63	18.62	18.81	18.55	18.64	18.63	21.60	21.64	21.73		
70	189	0		18.36	18.27	18.37	18.46	18.32	18.26	21.42	21.31	21.33		
70	1	1	16-QAM	20.74	20.62	20.58	20.75	20.79	20.47	23.76	23.72	23.54	22.46	0.1762
70	1	1	64-QAM	19.16	19.24	19.21	19.11	18.90	19.05	22.15	22.08	22.14		
70	1	1	256-QAM	16.18	15.87	16.22	16.39	16.13	16.33	19.30	19.01	19.29		
Limit	EIRP < 1W			Result									Pass	

Part27Q NR n78 Maximum Average Power [dBm], DG = -1.3 dBi														
BW (MHz)	RB Size	RB Offset	Mod	Antenna 7			Antenna 5			Combine			EIRP (dBm)	EIRP (W)
				Lowest	Middle	Highest	Lowest	Middle	Highest	Lowest	Middle	Highest		
80	1	1	QPSK	21.20	20.97	21.16	21.13	21.21	21.03	24.18	24.10	24.11	22.88	0.1941
80	1	215		20.74	20.58	20.85	20.70	20.69	20.88	23.73	23.65	23.88		
80	109	54		20.97	20.81	20.99	20.97	20.70	20.86	23.98	23.77	23.94		
80	1	0		19.26	18.95	19.15	19.14	19.18	19.24	22.21	22.08	22.21		
80	1	216		18.68	18.61	18.74	18.66	18.76	18.75	21.68	21.70	21.76		
80	217	0		18.45	18.29	18.45	18.40	18.20	18.28	21.44	21.26	21.38		
80	1	1	16-QAM	20.66	20.49	20.65	20.73	20.54	20.58	23.71	23.53	23.63	22.41	0.1742
80	1	1	64-QAM	19.31	18.66	19.07	19.08	19.32	19.20	22.21	22.01	22.15		
80	1	1	256-QAM	16.01	15.79	16.10	16.32	16.42	16.27	19.18	19.13	19.20		
Limit	EIRP < 1W			Result										



Part27Q NR n78 Maximum Average Power [dBm], DG = -1.3 dBi														
BW (MHz)	RB Size	RB Offset	Mod	Antenna 7			Antenna 5			Combine			EIRP (dBm)	EIRP (W)
				Lowest	Middle	Highest	Lowest	Middle	Highest	Lowest	Middle	Highest		
90	1	1	QPSK	21.18	21.06	21.13	21.03	21.18	21.20	24.12	24.13	24.18	22.88	0.1941
90	1	243		20.83	20.71	20.72	20.70	20.72	20.67	23.78	23.73	23.71		
90	123	61		20.87	20.80	20.91	20.89	20.80	20.77	23.89	23.81	23.85		
90	1	0		19.29	19.21	19.13	19.24	19.26	19.32	22.28	22.25	22.24		
90	1	244		18.73	18.75	18.74	18.75	18.86	18.77	21.75	21.82	21.77		
90	245	0		18.38	18.39	18.40	18.36	18.29	18.29	21.38	21.35	21.36		
90	1	1	16-QAM	20.49	20.72	20.72	20.65	20.62	20.63	23.58	23.68	23.69	22.39	0.1734
90	1	1	64-QAM	19.29	19.26	19.36	18.88	18.97	19.13	22.10	22.13	22.26		
90	1	1	256-QAM	16.47	16.16	16.28	16.25	16.38	16.41	19.37	19.28	19.36		
Limit	EIRP < 1W			Result									Pass	

Part27Q NR n78 Maximum Average Power [dBm], DG = -1.3 dBi														
BW (MHz)	RB Size	RB Offset	Mod	Antenna 7			Antenna 5			Combine			EIRP (dBm)	EIRP (W)
				Lowest	Middle	Highest	Lowest	Middle	Highest	Lowest	Middle	Highest		
100	1	1	QPSK	-	21.20	-	-	21.18	-	-	24.20	-	22.9	0.1950
100	1	271		-	20.80	-	-	20.86	-	-	23.84	-		
100	137	68		-	20.78	-	-	20.79	-	-	23.80	-		
100	1	0		-	19.40	-	-	19.21	-	-	22.32	-		
100	1	272		-	18.87	-	-	18.76	-	-	21.83	-		
100	273	0		-	18.26	-	-	18.30	-	-	21.29	-		
100	1	1	16-QAM	-	21.08	-	-	20.70	-	-	23.90	-	22.6	0.1820
100	1	1	64-QAM	-	19.15	-	-	19.21	-	-	22.19	-		
100	1	1	256-QAM	-	16.29	-	-	16.38	-	-	19.35	-		
Limit	EIRP < 1W			Result										



NR n41 Maximum Average Power [dBm], DG = -0.22 dBi														
BW (MHz)	RB Size	RB Offset	Mod	Antenna 2			Antenna 5			Combine			EIRP (dBm)	EIRP (W)
				Lowest	Middle	Highest	Lowest	Middle	Highest	Lowest	Middle	Highest		
10	1	1	QPSK	21.45	21.47	21.10	20.92	21.35	21.35	24.20	24.42	24.24	24.24	0.2655
10	1	22		21.38	21.52	21.12	21.00	21.32	21.44	24.20	24.43	24.29		
10	12	6		21.37	21.50	21.12	21.00	21.39	21.29	24.20	24.46	24.22		
10	1	0		19.42	19.39	19.08	18.78	19.44	19.25	22.12	22.43	22.18		
10	1	23		19.33	19.39	19.08	18.81	19.41	19.18	22.09	22.41	22.14		
10	24	0		19.90	19.99	19.60	19.46	19.95	19.74	22.70	22.98	22.68		
10	1	1	16-QAM	20.91	20.98	20.73	20.67	21.00	20.77	23.80	24.00	23.76	23.78	0.2388
10	1	1	64-QAM	19.26	19.11	19.06	19.01	19.39	19.30	22.15	22.26	22.19		
10	1	1	256-QAM	16.33	16.51	15.97	15.87	16.47	16.11	19.12	19.50	19.05		
Limit	Power < 2W			Result									Pass	

NR n41 Maximum Average Power [dBm], DG = -0.22 dBi														
BW (MHz)	RB Size	RB Offset	Mod	Antenna 2			Antenna 5			Combine			EIRP (dBm)	EIRP (W)
				Lowest	Middle	Highest	Lowest	Middle	Highest	Lowest	Middle	Highest		
15	1	1	QPSK	21.41	21.45	21.45	21.06	21.37	21.47	24.25	24.42	24.47	24.25	0.2661
15	1	36		21.42	21.46	21.21	21.05	21.31	21.56	24.25	24.40	24.40		
15	19	9		21.43	21.57	21.32	21.02	21.35	21.53	24.24	24.47	24.44		
15	1	0		19.35	19.44	19.25	18.92	19.34	19.30	22.15	22.40	22.29		
15	1	37		19.38	19.45	19.24	19.01	19.28	19.40	22.21	22.38	22.33		
15	38	0		19.87	19.99	19.66	19.50	19.89	20.02	22.70	22.95	22.85		
15	1	1	16-QAM	21.02	21.21	21.08	20.60	20.71	20.78	23.83	23.98	23.94	23.76	0.2377
15	1	1	64-QAM	19.37	19.47	19.39	18.96	19.58	19.47	22.18	22.54	22.44		
15	1	1	256-QAM	16.56	16.46	16.20	15.87	16.63	16.32	19.24	19.56	19.27		
Limit	Power < 2W			Result									Pass	

NR n41 Maximum Average Power [dBm], DG = -0.22 dBi														
BW (MHz)	RB Size	RB Offset	Mod	Antenna 2			Antenna 5			Combine			EIRP (dBm)	EIRP (W)
				Lowest	Middle	Highest	Lowest	Middle	Highest	Lowest	Middle	Highest		
20	1	1	QPSK	21.04	21.37	21.21	21.30	21.42	21.29	24.18	24.41	24.26	24.23	0.2649
20	1	49		21.33	21.48	21.23	21.26	21.17	21.44	24.31	24.34	24.35		
20	25	12		21.27	21.44	21.22	21.38	21.44	21.48	24.34	24.45	24.36		
20	1	0		19.17	19.46	19.19	19.22	19.35	19.26	22.21	22.42	22.24		
20	1	50		19.27	19.41	19.11	19.37	19.33	19.40	22.33	22.38	22.27		
20	51	0		19.74	19.94	19.77	19.88	19.93	19.95	22.82	22.95	22.87		
20	1	1	16-QAM	20.73	20.88	20.83	20.98	20.91	20.80	23.87	23.91	23.83	23.69	0.2339
20	1	1	64-QAM	19.06	19.20	19.20	19.23	19.43	19.40	22.16	22.33	22.31		
20	1	1	256-QAM	16.27	16.40	16.25	15.84	16.36	16.24	19.07	19.39	19.26		
Limit	Power < 2W			Result									Pass	



NR n41 Maximum Average Power [dBm], DG = -0.22 dBi														
BW (MHz)	RB Size	RB Offset	Mod	Antenna 2			Antenna 5			Combine			EIRP (dBm)	EIRP (W)
				Lowest	Middle	Highest	Lowest	Middle	Highest	Lowest	Middle	Highest		
30	1	1	QPSK	21.36	21.40	21.47	21.49	21.52	21.37	24.44	24.47	24.43	24.27	0.2673
30	1	76		21.28	21.45	21.24	21.51	21.35	21.49	24.41	24.41	24.38		
30	39	19		21.38	21.51	21.39	21.53	21.42	21.57	24.47	24.48	24.49		
30	1	0		19.31	19.47	19.56	19.42	19.41	19.24	22.38	22.45	22.41		
30	1	77		19.27	19.41	19.26	19.45	19.37	19.45	22.37	22.40	22.37		
30	78	0		19.85	19.98	19.82	20.00	19.94	20.01	22.94	22.97	22.93		
30	1	1	16-QAM	20.82	20.93	21.04	21.04	20.89	21.09	23.94	23.92	24.08	23.86	0.2432
30	1	1	64-QAM	19.37	19.48	19.21	19.34	19.55	19.50	22.37	22.53	22.37		
30	1	1	256-QAM	16.43	16.37	16.46	15.97	16.44	16.63	19.22	19.42	19.56		
Limit	Power < 2W			Result									Pass	

NR n41 Maximum Average Power [dBm], DG = -0.22 dBi														
BW (MHz)	RB Size	RB Offset	Mod	Antenna 2			Antenna 5			Combine			EIRP (dBm)	EIRP (W)
				Lowest	Middle	Highest	Lowest	Middle	Highest	Lowest	Middle	Highest		
40	1	1	QPSK	21.25	21.48	21.39	20.77	21.43	21.22	24.03	24.47	24.32	24.29	0.2685
40	1	76		21.33	21.44	21.13	21.43	21.33	21.54	24.39	24.40	24.35		
40	39	19		21.27	21.55	21.26	21.35	21.45	21.37	24.32	24.51	24.33		
40	1	0		19.27	19.47	19.39	18.80	19.47	19.25	22.05	22.48	22.33		
40	1	77		19.23	19.44	19.17	18.85	19.30	19.42	22.05	22.38	22.31		
40	78	0		19.77	19.98	19.74	19.37	19.96	19.82	22.58	22.98	22.79		
40	1	1	16-QAM	20.69	20.88	20.86	20.96	21.41	20.74	23.84	24.16	23.81	23.94	0.2477
40	1	1	64-QAM	19.35	19.41	19.49	19.50	19.44	19.45	22.44	22.44	22.48		
40	1	1	256-QAM	16.23	16.51	16.35	16.26	16.74	16.57	19.26	19.64	19.47		
Limit	Power < 2W			Result									Pass	



NR n41 Maximum Average Power [dBm], DG = -0.22 dBi														
BW	RB	RB	Mod	Antenna 2			Antenna 5			Combine			EIRP	EIRP
(MHz)	Size	Offset		Lowest	Middle	Highest	Lowest	Middle	Highest	Lowest	Middle	Highest	(dBm)	(W)
50	1	1	QPSK	21.43	21.47	21.55	21.47	21.56	21.44	24.46	24.53	24.51	24.31	0.2698
50	1	131		21.42	21.42	21.32	21.46	21.37	21.58	24.45	24.41	24.46		
50	67	33		21.35	21.51	21.32	21.46	21.37	21.47	24.42	24.45	24.41		
50	1	0		19.36	19.42	19.49	19.59	19.41	19.41	22.49	22.43	22.46		
50	1	132		19.33	19.38	19.21	19.46	19.36	19.48	22.41	22.38	22.36		
50	133	0		19.84	20.00	19.87	20.00	19.89	20.00	22.93	22.96	22.95		
50	1	1	16-QAM	21.01	21.01	21.21	21.14	20.79	20.98	24.09	23.91	24.11	23.89	0.2449
50	1	1	64-QAM	19.20	19.22	19.50	19.55	19.47	19.29	22.39	22.36	22.41		
50	1	1	256-QAM	16.31	16.45	16.43	16.11	16.47	16.43	19.22	19.47	19.44		
Limit	Power < 2W			Result									Pass	

NR n41 Maximum Average Power [dBm], DG = -0.22 dBi														
BW	RB	RB	Mod	Antenna 2			Antenna 5			Combine			EIRP	EIRP
(MHz)	Size	Offset		Lowest	Middle	Highest	Lowest	Middle	Highest	Lowest	Middle	Highest	(dBm)	(W)
60	1	1	QPSK	21.30	21.52	21.48	20.85	21.52	21.56	24.09	24.53	24.53	24.31	0.2698
60	1	160		21.39	21.46	21.31	20.88	21.38	21.57	24.15	24.43	24.45		
60	81	40		21.22	21.51	21.35	20.79	21.44	21.34	24.02	24.49	24.36		
60	1	0		19.28	19.47	19.47	18.83	19.51	19.24	22.07	22.50	22.37		
60	1	161		19.41	19.43	19.15	18.89	19.46	19.45	22.17	22.46	22.31		
60	162	0		19.74	20.01	19.80	19.31	19.95	19.84	22.54	22.99	22.83		
60	1	1	16-QAM	20.69	21.01	21.08	20.60	21.17	20.86	23.66	24.10	23.98	23.88	0.2443
60	1	1	64-QAM	19.14	19.51	19.62	18.93	19.64	19.35	22.05	22.59	22.50		
60	1	1	256-QAM	16.32	16.36	16.51	16.04	16.61	16.40	19.19	19.50	19.47		
Limit	Power < 2W			Result									Pass	



NR n41 Maximum Average Power [dBm], DG = -0.22 dBi														
BW	RB	RB	Mod	Antenna 2			Antenna 5			Combine			EIRP	EIRP
(MHz)	Size	Offset		Lowest	Middle	Highest	Lowest	Middle	Highest	Lowest	Middle	Highest	(dBm)	(W)
70	1	1	QPSK	21.35	21.61	21.41	21.00	21.32	21.32	24.19	24.48	24.38	24.31	0.2698
70	1	187		21.34	21.48	21.31	21.08	21.56	21.39	24.22	24.53	24.36		
70	95	47		21.33	21.53	21.25	20.83	21.42	21.18	24.10	24.49	24.23		
70	1	0		19.30	19.55	19.34	18.98	19.37	19.22	22.15	22.47	22.29		
70	1	188		19.37	19.47	19.27	19.12	19.46	19.39	22.26	22.48	22.34		
70	189	0		19.87	20.07	19.82	19.36	19.92	19.79	22.63	23.01	22.82		
70	1	1	16-QAM	21.05	21.10	20.88	20.32	21.17	20.56	23.71	24.15	23.73	23.93	0.2472
70	1	1	64-QAM	19.11	19.63	19.44	19.13	19.43	19.00	22.13	22.54	22.24		
70	1	1	256-QAM	16.58	16.39	16.52	15.87	16.51	16.30	19.25	19.46	19.42		
Limit	Power < 2W			Result									Pass	

NR n41 Maximum Average Power [dBm], DG = -0.22 dBi														
BW	RB	RB	Mod	Antenna 2			Antenna 5			Combine			EIRP	EIRP
(MHz)	Size	Offset		Lowest	Middle	Highest	Lowest	Middle	Highest	Lowest	Middle	Highest	(dBm)	(W)
80	1	1	QPSK	21.34	21.51	21.56	21.27	21.50	21.25	24.32	24.52	24.42	24.39	0.2748
80	1	215		21.57	21.48	21.31	21.63	21.61	21.51	24.61	24.56	24.42		
80	109	54		21.21	21.47	21.38	21.31	21.43	21.38	24.27	24.46	24.39		
80	1	0		19.27	19.51	19.57	19.41	19.35	19.19	22.35	22.44	22.39		
80	1	216		19.61	19.57	19.41	19.60	19.42	19.58	22.62	22.51	22.51		
80	217	0		19.79	19.97	19.84	19.83	19.99	19.88	22.82	22.99	22.87		
80	1	1	16-QAM	21.24	20.91	21.31	20.66	21.02	20.67	23.97	23.98	24.01	23.79	0.2393
80	1	1	64-QAM	19.27	19.74	19.60	19.70	19.69	19.40	22.50	22.73	22.51		
80	1	1	256-QAM	16.05	16.38	16.55	15.92	16.54	16.42	19.00	19.47	19.50		
Limit	Power < 2W			Result									Pass	





NR n41 Maximum Average Power [dBm], DG = -0.22 dBi														
BW	RB	RB	Mod	Antenna 2			Antenna 5			Combine			EIRP	EIRP
(MHz)	Size	Offset		Lowest	Middle	Highest	Lowest	Middle	Highest	Lowest	Middle	Highest	(dBm)	(W)
90	1	1	QPSK	21.46	21.48	21.64	20.82	21.55	21.52	24.16	24.53	24.59	24.38	0.2742
90	1	243		21.66	21.67	21.23	20.97	21.51	21.76	24.34	24.60	24.51		
90	123	61		21.38	21.58	21.47	20.88	21.47	21.50	24.15	24.54	24.50		
90	1	0		19.51	19.46	19.67	19.07	19.59	19.51	22.31	22.54	22.60		
90	1	244		19.43	19.34	19.21	18.88	19.56	19.53	22.17	22.46	22.38		
90	245	0		19.84	19.93	19.88	19.45	19.91	19.83	22.66	22.93	22.87		
90	1	1	16-QAM	21.21	20.77	21.32	20.11	21.29	20.85	23.71	24.05	24.10	23.88	0.2443
90	1	1	64-QAM	19.35	19.55	19.41	19.31	19.48	19.40	22.34	22.53	22.42		
90	1	1	256-QAM	16.44	16.39	16.74	16.65	16.34	16.73	19.56	19.38	19.75		
Limit	Power < 2W			Result									Pass	

NR n41 Maximum Average Power [dBm], DG = -0.22 dBi														
BW	RB	RB	Mod	Antenna 2			Antenna 5			Combine			EIRP	EIRP
(MHz)	Size	Offset		Lowest	Middle	Highest	Lowest	Middle	Highest	Lowest	Middle	Highest	(dBm)	(W)
100	1	1	QPSK	21.51	21.60	21.73	21.55	21.38	21.51	24.54	24.50	24.63	24.46	0.2793
100	1	271		21.69	21.63	21.28	21.64	21.47	21.64	24.68	24.56	24.47		
100	137	68		21.33	21.52	21.38	21.26	21.49	21.39	24.31	24.52	24.40		
100	1	0		19.46	19.40	19.46	19.54	19.44	19.51	22.51	22.43	22.50		
100	1	272		19.78	19.43	19.38	19.57	19.45	19.66	22.69	22.45	22.53		
100	273	0		19.82	20.03	19.92	19.80	19.95	19.86	22.82	23.00	22.90		
100	1	1	16-QAM	21.01	21.24	21.35	21.25	21.04	21.04	24.14	24.15	24.21	23.99	0.2506
100	1	1	64-QAM	19.53	19.39	20.07	19.61	19.55	19.54	22.58	22.48	22.82		
100	1	1	256-QAM	16.27	16.44	16.91	16.72	16.53	16.42	19.51	19.50	19.68		
Limit	Power < 2W			Result									Pass	



Part270 NR n77 Maximum Average Power [dBm], DG = -1.7 dBi														
BW	RB	RB	Mod	Antenna 6			Antenna 5			Combine			EIRP	EIRP
(MHz)	Size	Offset		Lowest	Middle	Highest	Lowest	Middle	Highest	Lowest	Middle	Highest	(dBm)	(W)
10	1	1	QPSK	21.53	21.60	21.26	20.87	20.58	20.53	24.22	24.13	23.92	22.62	0.1828
10	1	22		21.65	21.73	21.21	20.93	20.67	20.51	24.32	24.24	23.88		
10	12	6		21.57	21.62	21.19	20.92	20.67	20.55	24.27	24.18	23.89		
10	1	0		19.43	19.61	19.18	18.84	18.48	18.34	22.16	22.09	21.79		
10	1	23		19.63	19.54	19.16	18.86	18.59	18.44	22.27	22.10	21.83		
10	24	0		19.11	19.15	18.70	18.36	18.11	18.05	21.76	21.67	21.40		
10	1	1	16-QAM	21.08	21.27	20.69	20.57	20.22	19.99	23.84	23.79	23.36	22.14	0.1637
10	1	1	64-QAM	19.44	19.73	19.16	18.87	18.53	18.50	22.17	22.18	21.85		
10	1	1	256-QAM	16.38	16.83	16.12	15.82	15.63	15.62	19.12	19.28	18.89		
Limit	EIRP < 1W			Result									Pass	

Part270 NR n77 Maximum Average Power [dBm], DG = -1.7 dBi														
BW	RB	RB	Mod	Antenna 6			Antenna 5			Combine			EIRP	EIRP
(MHz)	Size	Offset		Lowest	Middle	Highest	Lowest	Middle	Highest	Lowest	Middle	Highest	(dBm)	(W)
15	1	1	QPSK	21.56	21.73	21.30	20.84	20.65	20.60	24.23	24.23	23.97	22.65	0.1841
15	1	36		21.61	21.68	21.29	20.92	20.77	20.56	24.29	24.26	23.95		
15	19	9		21.68	21.66	21.27	20.97	20.58	20.63	24.35	24.16	23.97		
15	1	0		19.53	19.62	19.39	18.86	18.60	18.59	22.22	22.15	22.02		
15	1	37		19.65	19.68	19.30	18.84	18.63	18.69	22.27	22.20	22.02		
15	38	0		19.21	19.08	18.76	18.36	18.16	18.13	21.82	21.65	21.47		
15	1	1	16-QAM	21.42	21.10	20.72	20.47	20.00	20.39	23.98	23.60	23.57	22.28	0.1690
15	1	1	64-QAM	19.61	19.39	19.40	19.10	18.89	18.53	22.37	22.16	22.00		
15	1	1	256-QAM	16.52	16.68	16.32	15.96	15.49	15.71	19.26	19.14	19.04		
Limit	EIRP < 1W			Result									Pass	



Part270 NR n77 Maximum Average Power [dBm], DG = -1.7 dBi														
BW	RB	RB	Mod	Antenna 6			Antenna 5			Combine			EIRP	EIRP
(MHz)	Size	Offset		Lowest	Middle	Highest	Lowest	Middle	Highest	Lowest	Middle	Highest	(dBm)	(W)
20	1	1	QPSK	21.56	21.65	21.18	20.80	20.66	20.63	24.21	24.19	23.92	22.65	0.1841
20	1	49		21.54	21.73	21.04	20.70	20.64	20.54	24.15	24.23	23.81		
20	25	12		21.71	21.62	21.26	20.93	20.61	20.59	24.35	24.15	23.95		
20	1	0		19.57	19.67	19.21	18.89	18.46	18.51	22.25	22.12	21.88		
20	1	50		19.55	19.74	19.17	18.73	18.64	18.47	22.17	22.24	21.84		
20	51	0		19.12	19.18	18.78	18.36	18.08	18.07	21.77	21.68	21.45		
20	1	1	16-QAM	20.95	21.28	20.81	20.25	20.22	19.91	23.62	23.79	23.39	22.09	0.1618
20	1	1	64-QAM	19.57	19.55	19.33	18.83	18.90	18.53	22.23	22.25	21.96		
20	1	1	256-QAM	16.57	16.70	16.23	16.02	15.87	15.52	19.31	19.32	18.90		
Limit	EIRP < 1W			Result									Pass	

Part270 NR n77 Maximum Average Power [dBm], DG = -1.7 dBi														
BW	RB	RB	Mod	Antenna 6			Antenna 5			Combine			EIRP	EIRP
(MHz)	Size	Offset		Lowest	Middle	Highest	Lowest	Middle	Highest	Lowest	Middle	Highest	(dBm)	(W)
25	1	1	QPSK	21.68	21.72	21.35	20.96	20.69	20.46	24.35	24.25	23.94	22.65	0.1841
25	1	63		21.61	21.71	21.27	20.83	20.69	20.50	24.25	24.24	23.91		
25	33	16		21.68	21.67	21.29	20.91	20.63	20.62	24.32	24.19	23.98		
25	1	0		19.62	19.66	19.31	18.84	18.70	18.37	22.26	22.22	21.88		
25	1	64		19.59	19.78	19.24	18.64	18.79	18.51	22.15	22.32	21.90		
25	65	0		19.06	19.14	18.76	18.47	18.10	18.08	21.79	21.66	21.44		
25	1	1	16-QAM	21.33	21.06	20.76	20.47	20.08	20.06	23.93	23.61	23.43	22.23	0.1671
25	1	1	64-QAM	19.53	19.72	19.43	19.01	18.75	18.67	22.29	22.27	22.08		
25	1	1	256-QAM	16.64	16.75	16.42	16.00	15.56	15.33	19.34	19.21	18.92		
Limit	EIRP < 1W			Result									Pass	



Part270 NR n77 Maximum Average Power [dBm], DG = -1.7 dBi														
BW	RB	RB	Mod	Antenna 6			Antenna 5			Combine			EIRP	EIRP
(MHz)	Size	Offset		Lowest	Middle	Highest	Lowest	Middle	Highest	Lowest	Middle	Highest	(dBm)	(W)
30	1	1	QPSK	21.61	21.64	21.39	20.78	20.62	20.53	24.23	24.17	23.99	22.57	0.1807
30	1	76		21.66	21.74	21.09	20.69	20.73	20.57	24.21	24.27	23.85		
30	39	19		21.63	21.70	21.30	20.81	20.64	20.67	24.25	24.21	24.01		
30	1	0		19.55	19.67	19.48	18.70	18.64	18.47	22.16	22.20	22.01		
30	1	77		19.73	19.76	19.11	18.66	18.74	18.53	22.24	22.29	21.84		
30	78	0		19.14	19.19	18.77	18.31	18.15	18.14	21.76	21.71	21.48		
30	1	1	16-QAM	21.10	21.18	21.13	20.23	20.20	20.02	23.70	23.73	23.62	22.03	0.1596
30	1	1	64-QAM	19.54	19.61	19.44	18.92	18.52	18.71	22.25	22.11	22.10		
30	1	1	256-QAM	16.45	16.63	16.64	15.86	15.49	15.57	19.18	19.11	19.15		
Limit	EIRP < 1W			Result									Pass	

Part270 NR n77 Maximum Average Power [dBm], DG = -1.7 dBi														
BW	RB	RB	Mod	Antenna 6			Antenna 5			Combine			EIRP	EIRP
(MHz)	Size	Offset		Lowest	Middle	Highest	Lowest	Middle	Highest	Lowest	Middle	Highest	(dBm)	(W)
40	1	1	QPSK	21.58	21.63	21.30	20.81	20.55	20.32	24.22	24.13	23.85	22.53	0.1791
40	1	104		21.63	21.70	21.14	20.67	20.68	20.56	24.19	24.23	23.87		
40	53	26		21.61	21.67	21.27	20.77	20.62	20.58	24.22	24.19	23.95		
40	1	0		19.65	19.66	19.26	18.89	18.57	18.31	22.30	22.16	21.82		
40	1	105		19.57	19.65	19.11	18.70	18.83	18.59	22.17	22.27	21.87		
40	106	0		19.12	19.17	18.76	18.27	18.13	18.07	21.73	21.69	21.44		
40	1	1	16-QAM	21.06	21.22	20.98	20.40	20.20	19.95	23.75	23.75	23.51	22.05	0.1603
40	1	1	64-QAM	19.52	19.90	19.55	18.92	18.61	18.33	22.24	22.31	21.99		
40	1	1	256-QAM	16.79	16.57	16.30	16.06	15.70	15.25	19.45	19.17	18.82		
Limit	EIRP < 1W			Result									Pass	



Part270 NR n77 Maximum Average Power [dBm], DG = -1.7 dBi														
BW	RB	RB	Mod	Antenna 6			Antenna 5			Combine			EIRP	EIRP
(MHz)	Size	Offset		Lowest	Middle	Highest	Lowest	Middle	Highest	Lowest	Middle	Highest	(dBm)	(W)
50	1	1	QPSK	21.45	21.70	21.41	20.86	20.64	20.47	24.18	24.21	23.98	22.61	0.1824
50	1	131		21.79	21.74	21.20	20.72	20.82	20.54	24.30	24.31	23.89		
50	67	33		21.59	21.68	21.36	20.66	20.65	20.59	24.16	24.21	24.00		
50	1	0		19.52	19.68	19.40	18.78	18.67	18.53	22.18	22.21	22.00		
50	1	132		19.84	19.71	19.18	18.78	18.82	18.47	22.35	22.30	21.85		
50	133	0		19.09	19.20	18.84	18.20	18.13	18.05	21.68	21.71	21.47		
50	1	1	16-QAM	20.96	21.33	20.98	20.22	20.22	19.93	23.62	23.82	23.50	22.12	0.1629
50	1	1	64-QAM	19.57	19.75	19.37	18.76	18.70	18.70	22.19	22.27	22.06		
50	1	1	256-QAM	16.58	16.65	16.14	15.92	15.46	15.77	19.27	19.11	18.97		
Limit	EIRP < 1W			Result									Pass	

Part270 NR n77 Maximum Average Power [dBm], DG = -1.7 dBi														
BW	RB	RB	Mod	Antenna 6			Antenna 5			Combine			EIRP	EIRP
(MHz)	Size	Offset		Lowest	Middle	Highest	Lowest	Middle	Highest	Lowest	Middle	Highest	(dBm)	(W)
60	1	1	QPSK	21.59	21.72	21.38	20.95	20.71	20.49	24.29	24.25	23.97	22.63	0.1832
60	1	160		21.63	21.71	21.35	20.90	20.90	20.55	24.29	24.33	23.98		
60	81	40		21.61	21.69	21.42	20.71	20.65	20.49	24.19	24.21	23.99		
60	1	0		19.63	19.74	19.46	18.91	18.66	18.47	22.30	22.24	22.00		
60	1	161		19.65	19.70	19.32	18.89	18.92	18.62	22.30	22.34	21.99		
60	162	0		19.09	19.18	18.91	18.23	18.14	17.95	21.69	21.70	21.47		
60	1	1	16-QAM	21.07	21.15	21.12	20.44	20.30	19.90	23.78	23.76	23.56	22.08	0.1614
60	1	1	64-QAM	19.57	19.73	19.37	19.04	18.76	18.61	22.32	22.28	22.02		
60	1	1	256-QAM	16.63	16.75	16.38	15.91	15.75	15.55	19.30	19.29	19.00		
Limit	EIRP < 1W			Result									Pass	



Part270 NR n77 Maximum Average Power [dBm], DG = -1.7 dBi														
BW	RB	RB	Mod	Antenna 6			Antenna 5			Combine			EIRP	EIRP
(MHz)	Size	Offset		Lowest	Middle	Highest	Lowest	Middle	Highest	Lowest	Middle	Highest	(dBm)	(W)
70	1	1	QPSK	21.54	21.67	21.55	20.68	20.66	20.52	24.14	24.20	24.08	22.64	0.1837
70	1	187		21.74	21.66	21.48	20.88	20.80	20.68	24.34	24.26	24.11		
70	95	47		21.57	21.68	21.37	20.62	20.61	20.36	24.13	24.19	23.90		
70	1	0		19.47	19.74	19.56	18.74	18.69	18.53	22.13	22.26	22.09		
70	1	188		19.76	19.70	19.43	18.90	18.82	18.65	22.36	22.29	22.07		
70	189	0		19.09	19.19	18.90	18.16	18.12	17.87	21.66	21.70	21.43		
70	1	1	16-QAM	21.14	21.27	21.03	20.31	20.26	19.95	23.76	23.80	23.53	22.1	0.1622
70	1	1	64-QAM	19.47	19.71	19.59	18.75	18.83	18.70	22.14	22.30	22.18		
70	1	1	256-QAM	16.60	16.69	16.61	16.02	15.65	15.83	19.33	19.21	19.25		
Limit	EIRP < 1W			Result									Pass	

Part270 NR n77 Maximum Average Power [dBm], DG = -1.7 dBi														
BW	RB	RB	Mod	Antenna 6			Antenna 5			Combine			EIRP	EIRP
(MHz)	Size	Offset		Lowest	Middle	Highest	Lowest	Middle	Highest	Lowest	Middle	Highest	(dBm)	(W)
80	1	1	QPSK	21.64	21.74	21.65	20.90	20.64	20.50	24.30	24.24	24.12	22.62	0.1828
80	1	215		21.73	21.66	21.36	20.84	20.78	20.56	24.32	24.25	23.99		
80	109	54		21.61	21.69	21.37	20.72	20.63	20.36	24.20	24.20	23.90		
80	1	0		19.66	19.76	19.68	18.95	18.60	18.47	22.33	22.23	22.13		
80	1	216		19.70	19.67	19.32	18.78	18.78	18.56	22.27	22.26	21.97		
80	217	0		19.13	19.21	18.88	18.24	18.12	17.89	21.72	21.71	21.42		
80	1	1	16-QAM	21.36	21.05	21.23	20.41	20.10	20.11	23.92	23.61	23.72	22.22	0.1667
80	1	1	64-QAM	19.62	19.77	19.70	18.94	18.69	18.65	22.30	22.27	22.22		
80	1	1	256-QAM	16.51	16.78	16.58	15.87	15.71	15.85	19.21	19.29	19.24		
Limit	EIRP < 1W			Result									Pass	



Part270 NR n77 Maximum Average Power [dBm], DG = -1.7 dBi														
BW	RB	RB	Mod	Antenna 6			Antenna 5			Combine			EIRP	EIRP
(MHz)	Size	Offset		Lowest	Middle	Highest	Lowest	Middle	Highest	Lowest	Middle	Highest	(dBm)	(W)
90	1	1	QPSK	21.54	21.77	21.74	20.81	20.64	20.79	24.20	24.25	24.30	22.77	0.1892
90	1	243		21.95	21.74	21.22	20.91	20.78	20.59	24.47	24.30	23.93		
90	123	61		21.64	21.72	21.36	20.64	20.66	20.48	24.18	24.23	23.95		
90	1	0		19.60	19.78	19.84	18.85	18.66	18.80	22.25	22.27	22.36		
90	1	244		19.91	19.74	19.25	18.84	18.74	18.55	22.42	22.28	21.92		
90	245	0		19.19	19.23	18.88	18.18	18.16	18.00	21.72	21.74	21.47		
90	1	1	16-QAM	21.16	21.49	21.39	20.51	20.11	20.15	23.86	23.86	23.82	22.16	0.1644
90	1	1	64-QAM	19.46	19.89	19.80	18.98	18.88	18.75	22.24	22.42	22.32		
90	1	1	256-QAM	16.43	16.77	16.71	16.00	15.76	15.62	19.23	19.30	19.21		
Limit	EIRP < 1W			Result									Pass	

Part270 NR n77 Maximum Average Power [dBm], DG = -1.7 dBi														
BW	RB	RB	Mod	Antenna 6			Antenna 5			Combine			EIRP	EIRP
(MHz)	Size	Offset		Lowest	Middle	Highest	Lowest	Middle	Highest	Lowest	Middle	Highest	(dBm)	(W)
100	1	1	QPSK	21.74	21.84	21.76	20.96	20.71	20.72	24.38	24.32	24.28	22.68	0.1854
100	1	271		21.83	21.80	21.50	20.85	20.87	20.73	24.38	24.37	24.14		
100	137	68		21.72	21.73	21.43	20.73	20.65	20.56	24.26	24.23	24.03		
100	1	0		19.69	19.89	19.77	18.90	18.74	18.74	22.32	22.36	22.30		
100	1	272		19.82	19.74	19.47	18.85	18.86	18.74	22.37	22.33	22.13		
100	273	0		19.24	19.24	18.93	18.26	18.18	18.08	21.79	21.75	21.54		
100	1	1	16-QAM	21.29	21.64	21.36	20.54	20.22	20.28	23.94	24.00	23.86	22.3	0.1698
100	1	1	64-QAM	19.85	19.93	19.64	19.18	18.85	18.82	22.54	22.43	22.26		
100	1	1	256-QAM	16.65	17.07	16.80	15.77	15.92	15.85	19.24	19.54	19.36		
Limit	EIRP < 1W			Result									Pass	



Part270 NR n78 Maximum Average Power [dBm], DG = -1.7 dBi														
BW	RB	RB	Mod	Antenna 6			Antenna 5			Combine			EIRP	EIRP
(MHz)	Size	Offset		Lowest	Middle	Highest	Lowest	Middle	Highest	Lowest	Middle	Highest	(dBm)	(W)
10	1	1	QPSK	21.28	21.36	21.35	20.53	20.32	20.20	23.93	23.88	23.82	22.35	0.1718
10	1	22		21.48	21.47	21.42	20.54	20.48	20.25	24.05	24.01	23.88		
10	12	6		21.43	21.39	21.37	20.60	20.40	20.26	24.05	23.93	23.86		
10	1	0		19.46	19.49	19.48	18.62	18.43	18.27	22.07	22.00	21.93		
10	1	23		19.40	19.45	19.53	18.69	18.46	18.24	22.07	21.99	21.94		
10	24	0		18.86	19.02	18.94	18.09	17.81	17.74	21.50	21.47	21.39		
10	1	1	16-QAM	20.75	20.86	20.73	20.35	19.85	19.70	23.56	23.39	23.26	21.86	0.1535
10	1	1	64-QAM	19.40	19.61	19.07	18.66	18.43	18.66	22.06	22.07	21.88		
10	1	1	256-QAM	16.19	16.58	16.33	15.45	15.47	15.09	18.85	19.07	18.76		
Limit	EIRP < 1W			Result									Pass	

Part270 NR n78 Maximum Average Power [dBm], DG = -1.7 dBi														
BW	RB	RB	Mod	Antenna 6			Antenna 5			Combine			EIRP	EIRP
(MHz)	Size	Offset		Lowest	Middle	Highest	Lowest	Middle	Highest	Lowest	Middle	Highest	(dBm)	(W)
15	1	1	QPSK	21.39	21.48	21.40	20.65	20.27	20.29	24.05	23.93	23.89	22.41	0.1742
15	1	36		21.49	21.34	21.34	20.62	20.36	20.35	24.09	23.89	23.88		
15	19	9		21.48	21.50	21.44	20.69	20.41	20.37	24.11	24.00	23.95		
15	1	0		19.30	19.49	19.27	18.67	18.38	18.30	22.01	21.98	21.82		
15	1	37		19.43	19.38	19.39	18.71	18.49	18.44	22.10	21.97	21.95		
15	38	0		19.01	19.05	18.93	18.23	17.92	17.86	21.65	21.53	21.44		
15	1	1	16-QAM	20.85	20.83	21.19	20.11	19.75	19.87	23.51	23.33	23.59	21.89	0.1545
15	1	1	64-QAM	19.56	19.52	19.31	18.76	18.40	18.34	22.19	22.01	21.86		
15	1	1	256-QAM	16.17	16.45	16.38	15.79	15.21	15.39	18.99	18.88	18.92		
Limit	EIRP < 1W			Result									Pass	





Part270 NR n78 Maximum Average Power [dBm], DG = -1.7 dBi														
BW	RB	RB	Mod	Antenna 6			Antenna 5			Combine			EIRP	EIRP
(MHz)	Size	Offset		Lowest	Middle	Highest	Lowest	Middle	Highest	Lowest	Middle	Highest	(dBm)	(W)
20	1	1	QPSK	21.37	21.42	21.34	20.61	20.31	20.38	24.02	23.91	23.90	22.39	0.1734
20	1	49		21.41	21.37	21.47	20.46	20.48	20.37	23.97	23.96	23.97		
20	25	12		21.45	21.39	21.45	20.68	20.36	20.37	24.09	23.92	23.95		
20	1	0		19.42	19.48	19.39	18.62	18.24	18.22	22.05	21.91	21.85		
20	1	50		19.40	19.35	19.38	18.37	18.45	18.37	21.93	21.93	21.91		
20	51	0		18.87	18.97	18.88	18.15	17.90	17.84	21.54	21.48	21.40		
20	1	1	16-QAM	20.89	20.93	20.94	20.22	19.85	19.62	23.58	23.43	23.34	21.88	0.1542
20	1	1	64-QAM	19.67	19.53	19.24	18.80	18.50	18.37	22.27	22.06	21.84		
20	1	1	256-QAM	16.47	16.48	16.50	15.83	15.49	15.73	19.17	19.02	19.14		
Limit	EIRP < 1W			Result									Pass	

Part270 NR n78 Maximum Average Power [dBm], DG = -1.7 dBi														
BW	RB	RB	Mod	Antenna 6			Antenna 5			Combine			EIRP	EIRP
(MHz)	Size	Offset		Lowest	Middle	Highest	Lowest	Middle	Highest	Lowest	Middle	Highest	(dBm)	(W)
25	1	1	QPSK	21.42	21.46	21.30	20.73	20.36	20.19	24.10	23.96	23.79	22.41	0.1742
25	1	63		21.38	21.38	21.40	20.48	20.41	20.27	23.96	23.93	23.88		
25	33	16		21.49	21.55	21.42	20.68	20.38	20.32	24.11	24.01	23.92		
25	1	0		19.47	19.39	19.44	18.74	18.42	18.30	22.13	21.94	21.92		
25	1	64		19.43	19.40	19.51	18.48	18.46	18.40	21.99	21.97	22.00		
25	65	0		19.01	19.05	18.91	18.10	17.94	17.80	21.59	21.54	21.40		
25	1	1	16-QAM	21.09	20.60	20.67	20.06	20.01	19.94	23.62	23.33	23.33	21.92	0.1556
25	1	1	64-QAM	19.31	19.40	19.29	18.78	18.24	18.41	22.06	21.87	21.88		
25	1	1	256-QAM	16.51	16.45	16.33	15.91	15.66	15.56	19.23	19.08	18.97		
Limit	EIRP < 1W			Result									Pass	



Part270 NR n78 Maximum Average Power [dBm], DG = -1.7 dBi														
BW	RB	RB	Mod	Antenna 6			Antenna 5			Combine			EIRP	EIRP
(MHz)	Size	Offset		Lowest	Middle	Highest	Lowest	Middle	Highest	Lowest	Middle	Highest	(dBm)	(W)
30	1	1	QPSK	21.25	21.38	21.38	20.67	20.40	20.51	23.98	23.93	23.98	22.34	0.1714
30	1	76		21.45	21.35	21.22	20.49	20.45	20.30	24.01	23.93	23.79		
30	39	19		21.49	21.52	21.44	20.51	20.36	20.38	24.04	23.99	23.95		
30	1	0		19.34	19.43	19.43	18.62	18.38	18.50	22.01	21.95	22.00		
30	1	77		19.44	19.31	19.35	18.44	18.52	18.30	21.98	21.94	21.87		
30	78	0		18.93	18.99	18.92	17.99	17.92	17.84	21.50	21.50	21.42		
30	1	1	16-QAM	20.75	20.91	20.95	20.11	19.68	20.03	23.45	23.35	23.52	21.82	0.1521
30	1	1	64-QAM	19.26	19.57	19.59	18.57	18.52	18.82	21.94	22.09	22.23		
30	1	1	256-QAM	16.38	16.50	16.39	15.69	15.63	15.57	19.06	19.10	19.01		
Limit	EIRP < 1W			Result									Pass	

Part270 NR n78 Maximum Average Power [dBm], DG = -1.7 dBi														
BW	RB	RB	Mod	Antenna 6			Antenna 5			Combine			EIRP	EIRP
(MHz)	Size	Offset		Lowest	Middle	Highest	Lowest	Middle	Highest	Lowest	Middle	Highest	(dBm)	(W)
40	1	1	QPSK	21.39	21.38	21.40	20.61	20.36	20.49	24.03	23.91	23.98	22.33	0.1710
40	1	104		21.39	21.39	21.41	20.36	20.42	20.34	23.92	23.94	23.92		
40	53	26		21.40	21.53	21.34	20.51	20.45	20.31	23.99	24.03	23.87		
40	1	0		19.43	19.46	19.42	18.80	18.40	18.49	22.14	21.97	21.99		
40	1	105		19.46	19.34	19.55	18.41	18.43	18.31	21.98	21.92	21.98		
40	106	0		18.95	18.99	18.94	18.02	17.92	17.87	21.52	21.50	21.45		
40	1	1	16-QAM	20.96	20.96	20.96	20.08	19.93	19.75	23.55	23.49	23.41	21.85	0.1531
40	1	1	64-QAM	19.35	19.46	19.45	18.68	18.41	18.59	22.04	21.98	22.05		
40	1	1	256-QAM	16.39	16.42	16.58	15.91	15.50	15.61	19.17	18.99	19.13		
Limit	EIRP < 1W			Result									Pass	



Part270 NR n78 Maximum Average Power [dBm], DG = -1.7 dBi														
BW	RB	RB	Mod	Antenna 6			Antenna 5			Combine			EIRP	EIRP
(MHz)	Size	Offset		Lowest	Middle	Highest	Lowest	Middle	Highest	Lowest	Middle	Highest	(dBm)	(W)
50	1	1	QPSK	21.31	21.37	21.66	20.45	20.40	20.53	23.91	23.92	24.14	22.44	0.1754
50	1	131		21.65	21.42	21.41	20.39	20.44	20.28	24.08	23.97	23.89		
50	67	33		21.36	21.50	21.40	20.39	20.42	20.44	23.91	24.00	23.96		
50	1	0		19.40	19.44	19.54	18.47	18.44	18.48	21.97	21.98	22.05		
50	1	132		19.69	19.38	19.32	18.44	18.38	18.31	22.12	21.92	21.85		
50	133	0		18.86	19.06	18.92	17.93	17.91	17.95	21.43	21.53	21.47		
50	1	1	16-QAM	20.89	21.03	21.17	20.10	19.90	20.19	23.52	23.51	23.72	22.02	0.1592
50	1	1	64-QAM	19.22	19.47	19.48	18.49	18.57	18.57	21.88	22.05	22.06		
50	1	1	256-QAM	16.28	16.46	16.63	15.57	15.44	15.48	18.95	18.99	19.10		
Limit	EIRP < 1W			Result									Pass	

Part270 NR n78 Maximum Average Power [dBm], DG = -1.7 dBi														
BW	RB	RB	Mod	Antenna 6			Antenna 5			Combine			EIRP	EIRP
(MHz)	Size	Offset		Lowest	Middle	Highest	Lowest	Middle	Highest	Lowest	Middle	Highest	(dBm)	(W)
60	1	1	QPSK	21.46	21.34	21.49	20.66	20.51	20.29	24.09	23.96	23.94	22.39	0.1734
60	1	160		21.37	21.49	21.50	20.46	20.39	20.38	23.95	23.99	23.99		
60	81	40		21.40	21.58	21.32	20.44	20.45	20.46	23.96	24.06	23.92		
60	1	0		19.37	19.41	19.44	18.73	18.56	18.27	22.07	22.02	21.90		
60	1	161		19.39	19.51	19.50	18.50	18.50	18.31	21.98	22.04	21.96		
60	162	0		18.85	19.04	18.86	17.97	17.91	17.95	21.44	21.52	21.44		
60	1	1	16-QAM	20.68	21.06	21.00	20.08	19.81	19.73	23.40	23.49	23.42	21.79	0.1510
60	1	1	64-QAM	19.42	19.28	19.55	18.62	18.63	18.50	22.05	21.98	22.07		
60	1	1	256-QAM	16.41	16.52	16.32	15.61	15.97	15.33	19.04	19.26	18.86		
Limit	EIRP < 1W			Result									Pass	



Part270 NR n78 Maximum Average Power [dBm], DG = -1.7 dBi														
BW	RB	RB	Mod	Antenna 6			Antenna 5			Combine			EIRP	EIRP
(MHz)	Size	Offset		Lowest	Middle	Highest	Lowest	Middle	Highest	Lowest	Middle	Highest	(dBm)	(W)
70	1	1	QPSK	21.19	21.35	21.34	20.49	20.49	20.24	23.86	23.95	23.84	22.38	0.1730
70	1	187		21.54	21.39	21.65	20.50	20.46	20.39	24.06	23.96	24.08		
70	95	47		21.41	21.58	21.37	20.31	20.39	20.38	23.91	24.04	23.91		
70	1	0		19.27	19.44	19.37	18.51	18.58	18.29	21.92	22.04	21.87		
70	1	188		19.58	19.40	19.49	18.55	18.42	18.31	22.11	21.95	21.95		
70	189	0		18.92	19.01	18.80	17.82	17.88	17.84	21.42	21.49	21.36		
70	1	1	16-QAM	20.66	20.81	20.85	19.78	20.27	19.76	23.25	23.56	23.35	21.86	0.1535
70	1	1	64-QAM	19.24	19.65	19.36	18.44	18.79	18.16	21.87	22.25	21.81		
70	1	1	256-QAM	16.58	16.57	16.40	15.76	15.49	15.45	19.20	19.07	18.96		
Limit	EIRP < 1W			Result									Pass	

Part270 NR n78 Maximum Average Power [dBm], DG = -1.7 dBi														
BW	RB	RB	Mod	Antenna 6			Antenna 5			Combine			EIRP	EIRP
(MHz)	Size	Offset		Lowest	Middle	Highest	Lowest	Middle	Highest	Lowest	Middle	Highest	(dBm)	(W)
80	1	1	QPSK	21.32	21.51	21.50	20.74	20.67	20.39	24.05	24.12	23.99	22.42	0.1746
80	1	215		21.40	21.43	21.64	20.37	20.38	20.45	23.93	23.95	24.10		
80	109	54		21.36	21.53	21.38	20.32	20.34	20.45	23.88	23.99	23.95		
80	1	0		19.43	19.59	19.56	18.71	18.48	18.26	22.10	22.08	21.97		
80	1	216		19.40	19.65	19.57	18.50	18.34	18.36	21.98	22.05	22.02		
80	217	0		18.87	19.01	18.89	17.89	17.99	17.94	21.42	21.54	21.45		
80	1	1	16-QAM	20.89	21.00	20.93	20.17	20.09	20.08	23.56	23.58	23.54	21.88	0.1542
80	1	1	64-QAM	19.39	19.38	19.36	18.76	18.59	18.61	22.10	22.01	22.01		
80	1	1	256-QAM	16.56	16.42	16.65	16.03	15.66	15.29	19.31	19.07	19.03		
Limit	EIRP < 1W			Result									Pass	



Part270 NR n78 Maximum Average Power [dBm], DG = -1.7 dBi														
BW	RB	RB	Mod	Antenna 6			Antenna 5			Combine			EIRP	EIRP
(MHz)	Size	Offset		Lowest	Middle	Highest	Lowest	Middle	Highest	Lowest	Middle	Highest	(dBm)	(W)
90	1	1	QPSK	21.41	21.52	21.69	20.61	20.85	20.87	24.04	24.21	24.31	22.61	0.1824
90	1	243		21.77	21.54	21.45	20.53	20.64	20.51	24.20	24.12	24.02		
90	123	61		21.34	21.53	21.46	20.34	20.35	20.41	23.88	23.99	23.98		
90	1	0		19.37	19.55	19.62	18.54	18.78	18.68	21.99	22.19	22.19		
90	1	244		19.77	19.67	19.46	18.43	18.64	18.35	22.16	22.20	21.95		
90	245	0		18.91	19.05	18.86	17.98	17.92	17.95	21.48	21.53	21.44		
90	1	1	16-QAM	21.22	21.10	20.85	20.16	20.38	20.00	23.73	23.77	23.46	22.07	0.1611
90	1	1	64-QAM	19.37	19.63	19.76	18.81	18.58	18.64	22.11	22.15	22.25		
90	1	1	256-QAM	16.57	16.60	16.67	15.62	15.74	15.50	19.13	19.20	19.13		
Limit	EIRP < 1W			Result									Pass	

Part270 NR n78 Maximum Average Power [dBm], DG = -1.7 dBi														
BW	RB	RB	Mod	Antenna 6			Antenna 5			Combine			EIRP	EIRP
(MHz)	Size	Offset		Lowest	Middle	Highest	Lowest	Middle	Highest	Lowest	Middle	Highest	(dBm)	(W)
100	1	1	QPSK	-	21.53	-	-	20.78	-	-	24.18	-	22.48	0.1770
100	1	271		-	21.61	-	-	20.59	-	-	24.14	-		
100	137	68		-	21.51	-	-	20.42	-	-	24.01	-		
100	1	0		-	19.61	-	-	18.88	-	-	22.27	-		
100	1	272		-	19.70	-	-	18.59	-	-	22.19	-		
100	273	0		-	19.10	-	-	17.91	-	-	21.56	-		
100	1	1	16-QAM	-	21.08	-	-	20.44	-	-	23.78	-	22.08	0.1614
100	1	1	64-QAM	-	19.91	-	-	18.92	-	-	22.45	-		
100	1	1	256-QAM	-	16.57	-	-	15.76	-	-	19.19	-		
Limit	EIRP < 1W			Result									Pass	



Part27Q NR n77 Maximum Average Power [dBm], DG = -1.7 dBi														
BW	RB	RB	Mod	Antenna 6			Antenna 5			Combine			EIRP	EIRP
(MHz)	Size	Offset		Lowest	Middle	Highest	Lowest	Middle	Highest	Lowest	Middle	Highest	(dBm)	(W)
10	1	1	QPSK	21.62	21.66	21.68	21.10	20.94	21.00	24.38	24.33	24.36	22.75	0.1884
10	1	22		21.49	21.61	21.72	21.08	20.90	21.13	24.30	24.28	24.45		
10	12	6		21.58	21.62	21.74	21.09	20.96	21.07	24.35	24.31	24.43		
10	1	0		19.60	19.63	19.64	19.08	18.97	18.89	22.36	22.32	22.29		
10	1	23		19.53	19.57	19.72	19.07	18.91	19.11	22.32	22.26	22.44		
10	24	0		19.08	19.12	19.22	18.59	18.45	18.57	21.85	21.81	21.92		
10	1	1	16-QAM	21.12	21.22	21.23	20.71	20.48	20.48	23.93	23.88	23.88	22.23	0.1671
10	1	1	64-QAM	19.73	19.81	19.74	19.33	18.96	19.01	22.54	22.42	22.40		
10	1	1	256-QAM	16.70	16.71	16.86	15.96	16.18	16.11	19.36	19.46	19.51		
Limit	EIRP < 1W			Result									Pass	

Part27Q NR n77 Maximum Average Power [dBm], DG = -1.7 dBi														
BW	RB	RB	Mod	Antenna 6			Antenna 5			Combine			EIRP	EIRP
(MHz)	Size	Offset		Lowest	Middle	Highest	Lowest	Middle	Highest	Lowest	Middle	Highest	(dBm)	(W)
15	1	1	QPSK	21.66	21.69	21.61	21.07	21.06	20.92	24.39	24.40	24.29	22.7	0.1862
15	1	36		21.45	21.53	21.69	21.03	20.94	21.06	24.26	24.26	24.40		
15	19	9		21.58	21.65	21.71	21.13	20.97	20.98	24.37	24.33	24.37		
15	1	0		19.73	19.69	19.65	19.14	19.00	18.86	22.46	22.37	22.28		
15	1	37		19.53	19.60	19.73	19.12	18.97	19.07	22.34	22.31	22.42		
15	38	0		19.06	19.16	19.19	18.64	18.46	18.50	21.87	21.83	21.87		
15	1	1	16-QAM	21.18	21.13	21.02	20.64	20.58	20.39	23.93	23.87	23.73	22.23	0.1671
15	1	1	64-QAM	19.65	19.67	19.62	19.49	19.19	18.96	22.58	22.45	22.31		
15	1	1	256-QAM	16.76	16.77	16.71	16.22	16.29	15.92	19.51	19.55	19.34		
Limit	EIRP < 1W			Result									Pass	



Part27Q NR n77 Maximum Average Power [dBm], DG = -1.7 dBi														
BW	RB	RB	Mod	Antenna 6			Antenna 5			Combine			EIRP	EIRP
(MHz)	Size	Offset		Lowest	Middle	Highest	Lowest	Middle	Highest	Lowest	Middle	Highest	(dBm)	(W)
20	1	1	QPSK	21.68	21.61	21.44	21.23	20.97	20.73	24.47	24.31	24.11	22.77	0.1892
20	1	49		21.48	21.51	21.67	21.21	20.92	21.04	24.36	24.24	24.38		
20	25	12		21.56	21.61	21.60	21.19	20.94	20.85	24.39	24.30	24.25		
20	1	0		19.76	19.71	19.48	19.26	19.06	18.82	22.53	22.41	22.17		
20	1	50		19.48	19.56	19.61	19.15	18.90	18.97	22.33	22.25	22.31		
20	51	0		19.04	19.09	19.08	18.69	18.41	18.36	21.88	21.77	21.75		
20	1	1	16-QAM	21.16	21.33	20.97	20.65	20.47	20.40	23.92	23.93	23.70	22.23	0.1671
20	1	1	64-QAM	19.70	19.62	19.45	19.15	19.11	18.71	22.44	22.38	22.11		
20	1	1	256-QAM	16.66	16.74	16.28	16.07	16.02	15.93	19.39	19.41	19.12		
Limit	EIRP < 1W			Result									Pass	

Part27Q NR n77 Maximum Average Power [dBm], DG = -1.7 dBi														
BW	RB	RB	Mod	Antenna 6			Antenna 5			Combine			EIRP	EIRP
(MHz)	Size	Offset		Lowest	Middle	Highest	Lowest	Middle	Highest	Lowest	Middle	Highest	(dBm)	(W)
25	1	1	QPSK	21.79	21.67	21.41	21.18	21.06	20.63	24.51	24.39	24.05	22.81	0.1910
25	1	63		21.49	21.52	21.62	21.17	20.94	20.88	24.34	24.25	24.28		
25	33	16		21.60	21.58	21.50	21.21	20.94	20.78	24.42	24.28	24.17		
25	1	0		19.76	19.69	19.38	19.21	19.00	18.62	22.50	22.37	22.03		
25	1	64		19.55	19.55	19.63	19.07	18.86	18.94	22.33	22.23	22.31		
25	65	0		19.10	19.09	19.01	18.74	18.43	18.27	21.93	21.78	21.67		
25	1	1	16-QAM	21.12	21.17	20.84	20.68	20.52	20.31	23.92	23.87	23.59	22.22	0.1667
25	1	1	64-QAM	19.98	19.75	19.55	19.29	19.25	18.64	22.66	22.52	22.13		
25	1	1	256-QAM	16.84	16.54	16.32	16.23	15.99	15.73	19.56	19.28	19.05		
Limit	EIRP < 1W			Result									Pass	



Part27Q NR n77 Maximum Average Power [dBm], DG = -1.7 dBi														
BW	RB	RB	Mod	Antenna 6			Antenna 5			Combine			EIRP	EIRP
(MHz)	Size	Offset		Lowest	Middle	Highest	Lowest	Middle	Highest	Lowest	Middle	Highest	(dBm)	(W)
30	1	1	QPSK	21.59	21.65	21.52	21.11	21.09	20.85	24.37	24.39	24.21	22.72	0.1871
30	1	76		21.46	21.48	21.75	20.91	20.93	21.05	24.20	24.22	24.42		
30	39	19		21.44	21.62	21.68	21.04	20.97	20.95	24.25	24.32	24.34		
30	1	0		19.65	19.63	19.53	19.10	19.01	18.94	22.39	22.34	22.26		
30	1	77		19.48	19.45	19.73	18.98	18.87	19.11	22.25	22.18	22.44		
30	78	0		18.94	19.09	19.17	18.54	18.41	18.49	21.75	21.77	21.85		
30	1	1	16-QAM	21.21	21.17	21.23	20.58	20.64	20.47	23.92	23.92	23.88	22.22	0.1667
30	1	1	64-QAM	19.43	19.61	19.77	19.08	19.02	18.80	22.27	22.34	22.32		
30	1	1	256-QAM	16.62	16.66	16.48	16.09	16.36	15.85	19.37	19.52	19.19		
Limit	EIRP < 1W			Result									Pass	

Part27Q NR n77 Maximum Average Power [dBm], DG = -1.7 dBi														
BW	RB	RB	Mod	Antenna 6			Antenna 5			Combine			EIRP	EIRP
(MHz)	Size	Offset		Lowest	Middle	Highest	Lowest	Middle	Highest	Lowest	Middle	Highest	(dBm)	(W)
40	1	1	QPSK	21.78	21.59	21.60	21.11	21.03	20.90	24.47	24.33	24.27	22.77	0.1892
40	1	104		21.74	21.44	21.70	21.13	20.73	21.03	24.46	24.11	24.39		
40	53	26		21.54	21.58	21.51	21.13	20.94	20.85	24.35	24.28	24.20		
40	1	0		19.81	19.55	19.61	19.14	18.93	18.90	22.50	22.26	22.28		
40	1	105		19.82	19.45	19.72	19.13	18.82	19.02	22.50	22.16	22.39		
40	106	0		19.08	19.08	19.02	18.68	18.42	18.36	21.89	21.77	21.71		
40	1	1	16-QAM	21.42	21.29	21.05	20.77	20.61	20.37	24.12	23.97	23.73	22.42	0.1746
40	1	1	64-QAM	19.78	19.73	19.78	19.27	19.15	18.89	22.54	22.46	22.37		
40	1	1	256-QAM	16.57	16.58	16.53	16.13	16.26	16.02	19.37	19.43	19.29		
Limit	EIRP < 1W			Result									Pass	





Part27Q NR n77 Maximum Average Power [dBm], DG = -1.7 dBi														
BW	RB	RB	Mod	Antenna 6			Antenna 5			Combine			EIRP	EIRP
(MHz)	Size	Offset		Lowest	Middle	Highest	Lowest	Middle	Highest	Lowest	Middle	Highest	(dBm)	(W)
50	1	1	QPSK	21.64	21.53	21.51	21.15	21.01	20.74	24.41	24.29	24.15	22.71	0.1866
50	1	131		21.63	21.44	21.67	21.01	20.85	20.91	24.34	24.17	24.32		
50	67	33		21.48	21.58	21.39	20.98	20.94	20.72	24.25	24.28	24.08		
50	1	0		19.63	19.53	19.46	19.06	19.00	18.82	22.36	22.28	22.16		
50	1	132		19.62	19.44	19.62	18.94	18.84	19.04	22.30	22.16	22.35		
50	133	0		19.00	19.08	18.93	18.54	18.38	18.28	21.79	21.75	21.63		
50	1	1	16-QAM	21.26	21.22	21.20	20.63	20.57	20.16	23.97	23.92	23.72	22.27	0.1687
50	1	1	64-QAM	19.63	19.72	19.65	19.18	19.21	18.86	22.42	22.48	22.28		
50	1	1	256-QAM	16.56	16.44	16.58	16.29	16.29	16.33	19.44	19.38	19.47		
Limit	EIRP < 1W			Result									Pass	

Part27Q NR n77 Maximum Average Power [dBm], DG = -1.7 dBi														
BW	RB	RB	Mod	Antenna 6			Antenna 5			Combine			EIRP	EIRP
(MHz)	Size	Offset		Lowest	Middle	Highest	Lowest	Middle	Highest	Lowest	Middle	Highest	(dBm)	(W)
60	1	1	QPSK	21.76	21.51	21.66	21.22	21.12	21.13	24.51	24.33	24.41	22.81	0.1910
60	1	160		21.65	21.55	21.71	21.00	20.82	21.08	24.35	24.21	24.42		
60	81	40		21.60	21.60	21.45	21.08	20.94	20.88	24.36	24.29	24.18		
60	1	0		18.94	19.48	19.72	19.23	19.05	19.11	22.10	22.28	22.44		
60	1	161		19.12	19.48	19.68	19.02	18.88	19.15	22.08	22.20	22.43		
60	162	0		19.12	19.08	19.00	18.61	18.38	18.44	21.88	21.75	21.74		
60	1	1	16-QAM	21.24	21.21	21.26	20.63	20.57	20.58	23.96	23.91	23.94	22.26	0.1683
60	1	1	64-QAM	19.72	19.44	19.69	19.32	19.15	19.14	22.53	22.31	22.43		
60	1	1	256-QAM	16.70	16.50	16.90	16.45	16.26	16.15	19.59	19.39	19.55		
Limit	EIRP < 1W			Result									Pass	



Part27Q NR n77 Maximum Average Power [dBm], DG = -1.7 dBi														
BW	RB	RB	Mod	Antenna 6			Antenna 5			Combine			EIRP	EIRP
(MHz)	Size	Offset		Lowest	Middle	Highest	Lowest	Middle	Highest	Lowest	Middle	Highest	(dBm)	(W)
70	1	1	QPSK	21.67	21.51	21.72	21.10	21.16	21.12	24.40	24.35	24.44	22.74	0.1879
70	1	187		21.52	21.65	21.66	20.91	20.97	21.19	24.24	24.33	24.44		
70	95	47		21.59	21.59	21.62	20.97	20.91	21.03	24.30	24.27	24.35		
70	1	0		19.71	19.51	19.67	19.12	19.02	19.11	22.44	22.28	22.41		
70	1	188		19.52	19.70	19.62	18.89	19.02	19.09	22.23	22.38	22.37		
70	189	0		19.08	19.09	19.17	18.50	18.35	18.56	21.81	21.75	21.89		
70	1	1	16-QAM	21.25	21.08	21.78	20.64	20.60	20.58	23.97	23.86	24.23	22.53	0.1791
70	1	1	64-QAM	19.68	19.40	19.74	19.26	19.13	19.42	22.49	22.28	22.59		
70	1	1	256-QAM	16.71	16.71	16.86	16.06	16.35	16.35	19.41	19.54	19.62		
Limit	EIRP < 1W			Result									Pass	

Part27Q NR n77 Maximum Average Power [dBm], DG = -1.7 dBi														
BW	RB	RB	Mod	Antenna 6			Antenna 5			Combine			EIRP	EIRP
(MHz)	Size	Offset		Lowest	Middle	Highest	Lowest	Middle	Highest	Lowest	Middle	Highest	(dBm)	(W)
80	1	1	QPSK	21.83	21.57	21.51	21.23	21.21	21.11	24.55	24.40	24.32	22.85	0.1928
80	1	215		21.63	21.67	21.72	20.93	21.04	21.14	24.30	24.38	24.45		
80	109	54		21.71	21.57	21.61	21.10	20.92	20.98	24.43	24.27	24.32		
80	1	0		19.79	19.56	19.51	19.21	19.14	19.16	22.52	22.37	22.35		
80	1	216		19.57	19.69	19.69	18.97	19.01	19.13	22.29	22.37	22.43		
80	217	0		19.20	19.10	19.16	18.57	18.41	18.52	21.91	21.78	21.86		
80	1	1	16-QAM	21.29	21.13	21.19	20.71	20.57	20.81	24.02	23.87	24.01	22.32	0.1706
80	1	1	64-QAM	19.71	19.57	19.56	19.23	19.22	19.34	22.49	22.41	22.46		
80	1	1	256-QAM	16.61	16.64	16.58	16.45	16.12	15.98	19.54	19.40	19.30		
Limit	EIRP < 1W			Result									Pass	



Part27Q NR n77 Maximum Average Power [dBm], DG = -1.7 dBi														
BW	RB	RB	Mod	Antenna 6			Antenna 5			Combine			EIRP	EIRP
(MHz)	Size	Offset		Lowest	Middle	Highest	Lowest	Middle	Highest	Lowest	Middle	Highest	(dBm)	(W)
90	1	1	QPSK	21.80	21.71	21.66	21.18	21.19	21.31	24.51	24.47	24.50	22.81	0.1910
90	1	243		21.82	21.41	21.74	20.97	21.13	21.16	24.43	24.28	24.47		
90	123	61		21.55	21.58	21.67	20.85	20.89	21.04	24.22	24.26	24.38		
90	1	0		14.31	19.76	19.71	13.78	19.27	19.23	17.06	22.53	22.49		
90	1	244		18.22	18.97	19.65	12.86	19.18	19.08	19.33	22.09	22.38		
90	245	0		19.13	18.84	19.19	18.42	18.42	18.52	21.80	21.65	21.88		
90	1	1	16-QAM	21.24	21.29	21.35	20.80	20.72	20.90	24.04	24.02	24.14	22.44	0.1754
90	1	1	64-QAM	19.91	19.70	19.61	19.34	19.38	19.34	22.64	22.55	22.49		
90	1	1	256-QAM	16.61	16.72	16.66	16.33	16.33	16.13	19.48	19.54	19.41		
Limit	EIRP < 1W			Result									Pass	

Part27Q NR n77 Maximum Average Power [dBm], DG = -1.7 dBi														
BW	RB	RB	Mod	Antenna 6			Antenna 5			Combine			EIRP	EIRP
(MHz)	Size	Offset		Lowest	Middle	Highest	Lowest	Middle	Highest	Lowest	Middle	Highest	(dBm)	(W)
100	1	1	QPSK	-	22.16	-	-	21.36	-	-	24.79	-	23.09	0.2037
100	1	271		-	21.79	-	-	21.20	-	-	24.52	-		
100	137	68		-	21.58	-	-	20.89	-	-	24.26	-		
100	1	0		-	19.98	-	-	19.29	-	-	22.66	-		
100	1	272		-	19.84	-	-	19.31	-	-	22.59	-		
100	273	0		-	19.49	-	-	18.43	-	-	22.00	-		
100	1	1	16-QAM	-	21.52	-	-	20.94	-	-	24.25	-	22.55	0.1799
100	1	1	64-QAM	-	19.75	-	-	19.30	-	-	22.54	-		
100	1	1	256-QAM	-	17.17	-	-	16.45	-	-	19.84	-		
Limit	EIRP < 1W			Result									Pass	



Part27Q NR n78 Maximum Average Power [dBm], DG = -1.7 dBi														
BW	RB	RB	Mod	Antenna 6			Antenna 5			Combine			EIRP	EIRP
(MHz)	Size	Offset		Lowest	Middle	Highest	Lowest	Middle	Highest	Lowest	Middle	Highest	(dBm)	(W)
10	1	1	QPSK	21.37	21.37	21.47	20.76	20.91	20.91	24.09	24.16	24.21	22.55	0.1799
10	1	22		21.23	21.34	21.47	20.91	20.89	21.00	24.08	24.13	24.25		
10	12	6		21.36	21.38	21.42	20.91	20.77	20.89	24.15	24.10	24.17		
10	1	0		19.40	19.43	19.53	18.90	18.90	18.86	22.17	22.18	22.22		
10	1	23		19.19	19.36	19.49	18.97	18.81	19.00	22.09	22.10	22.26		
10	24	0		18.91	18.90	18.96	18.45	18.32	18.42	21.70	21.63	21.71		
10	1	1	16-QAM	21.07	20.74	20.99	20.58	20.35	20.19	23.84	23.56	23.62	22.14	0.1637
10	1	1	64-QAM	19.23	19.53	19.61	19.21	19.04	18.96	22.23	22.30	22.31		
10	1	1	256-QAM	16.59	16.53	16.51	16.15	15.77	15.84	19.39	19.18	19.20		
Limit	EIRP < 1W			Result									Pass	

Part27Q NR n78 Maximum Average Power [dBm], DG = -1.7 dBi														
BW	RB	RB	Mod	Antenna 6			Antenna 5			Combine			EIRP	EIRP
(MHz)	Size	Offset		Lowest	Middle	Highest	Lowest	Middle	Highest	Lowest	Middle	Highest	(dBm)	(W)
15	1	1	QPSK	21.50	21.46	21.30	20.95	20.92	20.87	24.24	24.21	24.10	22.54	0.1795
15	1	36		21.21	21.31	21.44	20.98	20.82	20.92	24.11	24.08	24.20		
15	19	9		21.38	21.38	21.33	20.94	20.91	20.78	24.18	24.16	24.07		
15	1	0		19.49	19.45	19.36	19.04	18.90	18.75	22.28	22.19	22.08		
15	1	37		19.20	19.39	19.47	19.00	18.81	18.92	22.11	22.12	22.21		
15	38	0		18.95	18.86	18.94	18.50	18.27	18.33	21.74	21.59	21.66		
15	1	1	16-QAM	20.94	21.02	20.89	20.99	20.63	20.11	23.98	23.84	23.53	22.28	0.1690
15	1	1	64-QAM	19.31	19.43	19.35	19.02	18.85	18.72	22.18	22.16	22.06		
15	1	1	256-QAM	16.21	16.17	16.42	16.07	16.00	15.75	19.15	19.10	19.11		
Limit	EIRP < 1W			Result									Pass	



Part27Q NR n78 Maximum Average Power [dBm], DG = -1.7 dBi														
BW	RB	RB	Mod	Antenna 6			Antenna 5			Combine			EIRP	EIRP
(MHz)	Size	Offset		Lowest	Middle	Highest	Lowest	Middle	Highest	Lowest	Middle	Highest	(dBm)	(W)
20	1	1	QPSK	21.45	21.45	21.22	21.04	20.94	20.68	24.26	24.21	23.97	22.56	0.1803
20	1	49		21.27	21.23	21.44	21.03	20.83	20.80	24.16	24.04	24.14		
20	25	12		21.41	21.40	21.33	20.98	20.83	20.73	24.21	24.13	24.05		
20	1	0		19.51	18.00	19.26	19.10	-32.68	18.64	22.32	18.00	21.97		
20	1	50		19.29	19.31	19.41	18.94	18.77	18.85	22.13	22.06	22.15		
20	51	0		18.90	18.89	18.90	18.51	18.29	18.21	21.72	21.61	21.58		
20	1	1	16-QAM	20.99	21.29	20.82	20.89	20.36	20.32	23.95	23.86	23.59	22.25	0.1679
20	1	1	64-QAM	19.63	19.77	19.22	18.80	19.27	18.77	22.25	22.54	22.01		
20	1	1	256-QAM	16.57	16.39	16.27	16.13	16.20	15.71	19.37	19.31	19.01		
Limit	EIRP < 1W			Result									Pass	

Part27Q NR n78 Maximum Average Power [dBm], DG = -1.7 dBi														
BW	RB	RB	Mod	Antenna 6			Antenna 5			Combine			EIRP	EIRP
(MHz)	Size	Offset		Lowest	Middle	Highest	Lowest	Middle	Highest	Lowest	Middle	Highest	(dBm)	(W)
25	1	1	QPSK	21.52	21.63	21.18	21.19	20.94	20.63	24.37	24.31	23.92	22.67	0.1849
25	1	63		21.28	21.25	21.35	20.93	21.00	20.80	24.12	24.14	24.09		
25	33	16		21.39	21.47	21.32	21.09	20.91	20.71	24.25	24.21	24.04		
25	1	0		19.69	19.62	19.25	19.16	19.04	18.67	22.44	22.35	21.98		
25	1	64		19.32	19.38	19.40	19.02	18.82	18.77	22.18	22.12	22.11		
25	65	0		18.87	18.92	18.80	18.60	18.35	18.21	21.75	21.65	21.53		
25	1	1	16-QAM	21.20	21.10	20.72	20.77	20.42	20.25	24.00	23.78	23.50	22.3	0.1698
25	1	1	64-QAM	19.40	19.52	19.01	19.07	18.99	18.76	22.25	22.27	21.90		
25	1	1	256-QAM	16.77	16.53	16.27	16.25	15.70	15.79	19.53	19.15	19.05		
Limit	EIRP < 1W			Result									Pass	



Part27Q NR n78 Maximum Average Power [dBm], DG = -1.7 dBi														
BW	RB	RB	Mod	Antenna 6			Antenna 5			Combine			EIRP	EIRP
(MHz)	Size	Offset		Lowest	Middle	Highest	Lowest	Middle	Highest	Lowest	Middle	Highest	(dBm)	(W)
30	1	1	QPSK	21.49	21.40	21.27	20.88	20.87	20.80	24.21	24.15	24.05	22.55	0.1799
30	1	76		21.30	21.22	21.49	20.75	20.66	20.98	24.04	23.96	24.25		
30	39	19		21.23	21.40	21.45	20.90	20.83	20.88	24.08	24.13	24.18		
30	1	0		19.54	19.49	19.36	18.96	18.86	18.86	22.27	22.20	22.13		
30	1	77		19.31	19.22	19.53	18.80	18.69	18.98	22.07	21.97	22.27		
30	78	0		18.84	18.84	18.95	18.39	18.32	18.36	21.63	21.60	21.68		
30	1	1	16-QAM	20.82	20.78	20.86	20.37	20.41	20.57	23.61	23.61	23.73	22.03	0.1596
30	1	1	64-QAM	19.52	19.67	19.24	19.02	19.06	18.93	22.29	22.39	22.10		
30	1	1	256-QAM	16.64	16.58	16.38	15.96	15.97	16.02	19.32	19.30	19.21		
Limit	EIRP < 1W			Result									Pass	

Part27Q NR n78 Maximum Average Power [dBm], DG = -1.7 dBi														
BW	RB	RB	Mod	Antenna 6			Antenna 5			Combine			EIRP	EIRP
(MHz)	Size	Offset		Lowest	Middle	Highest	Lowest	Middle	Highest	Lowest	Middle	Highest	(dBm)	(W)
40	1	1	QPSK	21.54	21.32	21.27	21.07	20.89	20.82	24.32	24.12	24.06	22.62	0.1828
40	1	104		21.54	21.20	21.40	21.01	20.64	20.88	24.29	23.94	24.16		
40	53	26		21.35	21.39	21.29	21.04	20.87	20.70	24.21	24.15	24.02		
40	1	0		19.60	19.37	19.33	19.05	18.97	18.86	22.34	22.18	22.11		
40	1	105		19.55	19.15	19.38	18.98	18.73	18.89	22.28	21.96	22.15		
40	106	0		18.89	18.91	18.80	18.55	18.26	18.26	21.73	21.61	21.55		
40	1	1	16-QAM	21.13	20.94	20.95	20.81	20.45	20.35	23.98	23.71	23.67	22.28	0.1690
40	1	1	64-QAM	19.60	19.27	19.36	19.06	18.99	18.88	22.35	22.14	22.14		
40	1	1	256-QAM	16.66	16.50	16.14	15.88	16.02	15.97	19.30	19.28	19.07		
Limit	EIRP < 1W			Result									Pass	



Part27Q NR n78 Maximum Average Power [dBm], DG = -1.7 dBi														
BW	RB	RB	Mod	Antenna 6			Antenna 5			Combine			EIRP	EIRP
(MHz)	Size	Offset		Lowest	Middle	Highest	Lowest	Middle	Highest	Lowest	Middle	Highest	(dBm)	(W)
50	1	1	QPSK	21.52	21.32	21.33	21.12	20.98	20.83	24.33	24.16	24.10	22.63	0.1832
50	1	131		21.44	21.25	21.51	20.83	20.70	20.91	24.16	23.99	24.23		
50	67	33		21.24	21.43	21.16	20.90	20.82	20.70	24.08	24.15	23.95		
50	1	0		19.44	19.39	19.41	18.94	18.98	18.68	22.21	22.20	22.07		
50	1	132		19.38	19.23	19.59	18.75	18.71	18.86	22.09	21.99	22.25		
50	133	0		18.76	18.91	18.73	18.44	18.30	18.17	21.61	21.63	21.47		
50	1	1	16-QAM	21.13	20.84	20.95	20.58	20.44	20.57	23.87	23.65	23.77	22.17	0.1648
50	1	1	64-QAM	19.42	19.31	19.28	18.97	18.89	18.98	22.21	22.12	22.14		
50	1	1	256-QAM	16.49	16.53	16.36	16.15	16.03	15.88	19.33	19.30	19.14		
Limit	EIRP < 1W			Result									Pass	

Part27Q NR n78 Maximum Average Power [dBm], DG = -1.7 dBi														
BW	RB	RB	Mod	Antenna 6			Antenna 5			Combine			EIRP	EIRP
(MHz)	Size	Offset		Lowest	Middle	Highest	Lowest	Middle	Highest	Lowest	Middle	Highest	(dBm)	(W)
60	1	1	QPSK	21.58	21.33	21.53	21.14	21.06	20.99	24.38	24.21	24.28	22.68	0.1854
60	1	160		21.42	21.36	21.54	20.90	20.68	20.87	24.18	24.04	24.23		
60	81	40		21.43	19.62	21.27	21.02	20.85	20.83	24.24	23.29	24.07		
60	1	0		19.67	18.09	19.61	19.17	18.98	18.99	22.44	21.57	22.32		
60	1	161		19.42	18.12	19.52	18.93	18.74	18.84	22.19	21.45	22.20		
60	162	0		18.93	18.93	18.89	18.54	18.30	18.37	21.75	21.64	21.65		
60	1	1	16-QAM	21.15	21.04	21.13	20.61	20.58	20.45	23.90	23.83	23.81	22.2	0.1660
60	1	1	64-QAM	19.73	19.09	19.69	19.34	19.15	19.04	22.55	22.13	22.39		
60	1	1	256-QAM	16.62	16.41	16.68	16.05	16.21	16.37	19.35	19.32	19.54		
Limit	EIRP < 1W			Result									Pass	



Part27Q NR n78 Maximum Average Power [dBm], DG = -1.7 dBi														
BW	RB	RB	Mod	Antenna 6			Antenna 5			Combine			EIRP	EIRP
(MHz)	Size	Offset		Lowest	Middle	Highest	Lowest	Middle	Highest	Lowest	Middle	Highest	(dBm)	(W)
70	1	1	QPSK	21.40	21.42	21.49	21.13	20.93	21.23	24.28	24.19	24.37	22.67	0.1849
70	1	187		21.25	21.50	21.52	20.65	20.73	20.97	23.97	24.14	24.26		
70	95	47		21.34	21.36	21.36	20.91	20.80	20.96	24.14	24.10	24.17		
70	1	0		19.64	19.28	19.44	19.00	18.77	19.12	22.34	22.04	22.29		
70	1	188		19.37	19.43	19.44	18.71	18.64	19.04	22.06	22.06	22.25		
70	189	0		18.77	18.77	18.91	18.37	18.22	18.42	21.58	21.51	21.68		
70	1	1	16-QAM	21.00	20.89	21.41	20.61	20.63	20.36	23.82	23.77	23.93	22.23	0.1671
70	1	1	64-QAM	19.48	19.24	19.55	19.11	19.33	19.44	22.31	22.30	22.51		
70	1	1	256-QAM	16.55	16.40	16.69	16.11	16.17	16.54	19.35	19.30	19.63		
Limit	EIRP < 1W			Result									Pass	

Part27Q NR n78 Maximum Average Power [dBm], DG = -1.7 dBi														
BW	RB	RB	Mod	Antenna 6			Antenna 5			Combine			EIRP	EIRP
(MHz)	Size	Offset		Lowest	Middle	Highest	Lowest	Middle	Highest	Lowest	Middle	Highest	(dBm)	(W)
80	1	1	QPSK	21.52	21.45	21.41	21.00	21.04	21.04	24.28	24.26	24.24	22.74	0.1879
80	1	215		21.39	21.48	21.77	20.74	20.73	21.05	24.09	24.13	24.44		
80	109	54		21.53	21.47	21.38	21.07	20.81	20.84	24.32	24.16	24.13		
80	1	0		19.49	19.38	-24.37	19.03	19.13	19.18	22.28	22.27	19.18		
80	1	216		19.37	19.43	19.69	18.72	18.81	19.08	22.07	22.14	22.41		
80	217	0		18.96	18.87	19.01	18.52	18.33	18.39	21.76	21.62	21.72		
80	1	1	16-QAM	21.00	20.75	20.87	20.81	20.84	20.39	23.92	23.81	23.65	22.22	0.1667
80	1	1	64-QAM	19.44	19.63	19.30	19.04	19.13	19.21	22.25	22.40	22.27		
80	1	1	256-QAM	16.73	16.38	16.52	16.09	15.57	16.14	19.43	19.00	19.34		
Limit	EIRP < 1W			Result									Pass	





Part27Q NR n78 Maximum Average Power [dBm], DG = -1.7 dBi														
BW	RB	RB	Mod	Antenna 6			Antenna 5			Combine			EIRP	EIRP
(MHz)	Size	Offset		Lowest	Middle	Highest	Lowest	Middle	Highest	Lowest	Middle	Highest	(dBm)	(W)
90	1	1	QPSK	21.59	21.59	21.59	21.15	21.23	21.10	24.39	24.42	24.36	22.72	0.1871
90	1	243		21.66	21.61	21.66	21.06	20.95	20.99	24.38	24.30	24.35		
90	123	61		21.34	21.41	21.57	20.80	20.83	21.02	24.09	24.14	24.31		
90	1	0		19.67	19.54	19.50	19.18	19.33	19.35	22.44	22.45	22.44		
90	1	244		19.57	19.53	19.53	18.77	18.92	19.01	22.20	22.25	22.29		
90	245	0		18.89	18.92	18.94	18.33	18.36	18.45	21.63	21.66	21.71		
90	1	1	16-QAM	21.03	20.85	21.03	20.74	20.71	20.90	23.90	23.79	23.98	22.28	0.1690
90	1	1	64-QAM	19.37	19.39	19.63	19.11	19.67	19.12	22.25	22.54	22.39		
90	1	1	256-QAM	16.59	16.60	16.47	16.53	16.27	16.19	19.57	19.45	19.34		
Limit	EIRP < 1W			Result									Pass	

Part27Q NR n78 Maximum Average Power [dBm], DG = -1.7 dBi														
BW	RB	RB	Mod	Antenna 6			Antenna 5			Combine			EIRP	EIRP
(MHz)	Size	Offset		Lowest	Middle	Highest	Lowest	Middle	Highest	Lowest	Middle	Highest	(dBm)	(W)
100	1	1	QPSK	-	22.23	-	-	21.14	-	-	24.73	-	23.03	0.2009
100	1	271		-	21.65	-	-	21.10	-	-	24.39	-		
100	137	68		-	21.46	-	-	20.88	-	-	24.19	-		
100	1	0		-	20.28	-	-	19.31	-	-	22.83	-		
100	1	272		-	19.67	-	-	19.03	-	-	22.37	-		
100	273	0		-	18.98	-	-	18.32	-	-	21.67	-		
100	1	1	16-QAM	-	21.44	-	-	20.67	-	-	24.08	-	22.38	0.1730
100	1	1	64-QAM	-	20.14	-	-	19.18	-	-	22.70	-		
100	1	1	256-QAM	-	16.76	-	-	16.60	-	-	19.69	-		
Limit	EIRP < 1W			Result									Pass	



NR n41 Maximum Average Power [dBm], DG = 3.25 dBi														
BW (MHz)	RB Size	RB Offset	Mod	Antenna 0			Antenna 1			Combine			EIRP (dBm)	EIRP (W)
				Lowest	Middle	Highest	Lowest	Middle	Highest	Lowest	Middle	Highest		
10	1	1	QPSK	21.29	21.35	21.13	20.90	21.11	21.06	24.11	24.24	24.11	27.58	0.5728
10	1	22		21.28	21.43	20.95	20.84	21.21	20.94	24.08	24.33	23.96		
10	12	6		21.34	21.38	21.11	20.91	21.23	21.17	24.14	24.32	24.15		
10	1	0		19.22	19.33	19.14	18.79	19.27	18.92	22.02	22.31	22.04		
10	1	23		19.27	19.39	19.04	18.77	19.20	19.07	22.04	22.31	22.07		
10	24	0		19.75	19.91	19.58	19.39	19.75	19.51	22.58	22.84	22.56		
10	1	1	16-QAM	20.63	20.97	20.59	20.36	20.97	20.48	23.51	23.98	23.55	27.23	0.5284
10	1	1	64-QAM	19.42	19.93	19.29	18.85	19.24	18.89	22.15	22.61	22.10		
10	1	1	256-QAM	16.52	16.30	16.15	15.93	16.34	16.13	19.25	19.33	19.15		
Limit	Power < 2W			Result									Pass	

NR n41 Maximum Average Power [dBm], DG = 3.25 dBi														
BW (MHz)	RB Size	RB Offset	Mod	Antenna 0			Antenna 1			Combine			EIRP (dBm)	EIRP (W)
				Lowest	Middle	Highest	Lowest	Middle	Highest	Lowest	Middle	Highest		
15	1	1	QPSK	21.39	21.42	21.24	20.90	21.15	21.29	24.16	24.30	24.28	27.65	0.5821
15	1	36		21.34	21.45	21.20	20.80	21.05	21.28	24.09	24.26	24.25		
15	19	9		21.37	21.50	21.24	20.87	21.27	21.23	24.14	24.40	24.25		
15	1	0		19.40	19.29	19.19	18.99	19.25	19.14	22.21	22.28	22.18		
15	1	37		19.22	19.41	19.00	18.83	19.09	19.14	22.04	22.26	22.08		
15	38	0		19.84	19.91	19.73	19.38	19.78	19.69	22.63	22.86	22.72		
15	1	1	16-QAM	20.92	21.06	20.90	20.49	20.98	20.61	23.72	24.03	23.77	27.28	0.5346
15	1	1	64-QAM	19.34	19.52	19.06	19.13	19.28	19.46	22.25	22.41	22.27		
15	1	1	256-QAM	16.36	16.14	16.32	15.88	16.25	16.28	19.14	19.21	19.31		
Limit	Power < 2W			Result									Pass	



NR n41 Maximum Average Power [dBm], DG = 3.25 dBi														
BW (MHz)	RB Size	RB Offset	Mod	Antenna 0			Antenna 1			Combine			EIRP (dBm)	EIRP (W)
				Lowest	Middle	Highest	Lowest	Middle	Highest	Lowest	Middle	Highest		
20	1	1	QPSK	21.15	21.43	21.23	20.68	21.37	20.99	23.93	24.41	24.12	27.66	0.5834
20	1	49		21.16	21.38	21.20	20.56	21.25	21.20	23.88	24.33	24.21		
20	25	12		21.21	21.43	21.21	20.75	21.25	21.26	24.00	24.35	24.25		
20	1	0		19.09	19.34	19.17	18.61	19.23	19.09	21.87	22.30	22.14		
20	1	50		19.10	19.35	19.14	18.68	19.14	19.17	21.91	22.26	22.17		
20	51	0		19.74	19.88	19.74	19.21	19.76	19.68	22.49	22.83	22.72		
20	1	1	16-QAM	20.59	20.99	20.54	19.97	20.79	20.68	23.30	23.90	23.62	27.15	0.5188
20	1	1	64-QAM	19.15	19.01	19.42	18.88	19.28	19.06	22.03	22.16	22.25		
20	1	1	256-QAM	16.14	16.31	16.40	16.09	16.34	15.87	19.13	19.34	19.15		
Limit	Power < 2W			Result									Pass	



NR n41 Maximum Average Power [dBm], DG = 3.25 dBi														
BW (MHz)	RB Size	RB Offset	Mod	Antenna 0			Antenna 1			Combine			EIRP (dBm)	EIRP (W)
				Lowest	Middle	Highest	Lowest	Middle	Highest	Lowest	Middle	Highest		
30	1	1	QPSK	21.27	21.39	21.41	20.82	21.41	21.36	24.06	24.41	24.40	27.74	0.5943
30	1	76		21.14	21.41	21.24	20.86	21.18	21.23	24.01	24.31	24.25		
30	39	19		21.30	21.45	21.46	20.91	21.38	21.49	24.12	24.43	24.49		
30	1	0		19.26	19.34	19.39	18.80	19.39	19.19	22.05	22.38	22.30		
30	1	77		19.17	19.28	19.29	18.78	19.22	19.31	21.99	22.26	22.31		
30	78	0		19.74	19.87	19.77	19.38	19.74	19.83	22.57	22.82	22.81		
30	1	1	16-QAM	20.96	20.88	21.05	20.13	20.81	20.65	23.58	23.86	23.86	27.11	0.5140
30	1	1	64-QAM	19.37	19.44	19.42	18.84	19.45	19.35	22.12	22.46	22.40		
30	1	1	256-QAM	16.54	16.45	16.35	15.88	16.38	16.14	19.23	19.43	19.26		
Limit	Power < 2W			Result									Pass	

NR n41 Maximum Average Power [dBm], DG = 3.25 dBi														
BW (MHz)	RB Size	RB Offset	Mod	Antenna 0			Antenna 1			Combine			EIRP (dBm)	EIRP (W)
				Lowest	Middle	Highest	Lowest	Middle	Highest	Lowest	Middle	Highest		
40	1	1	QPSK	21.17	21.36	21.32	20.66	21.37	21.17	23.93	24.38	24.26	27.64	0.5808
40	1	76		21.22	21.35	21.23	20.61	21.23	21.28	23.94	24.30	24.27		
40	39	19		21.19	21.48	21.31	20.76	21.28	21.20	23.99	24.39	24.27		
40	1	0		19.11	19.41	19.29	18.67	19.43	19.05	21.91	22.43	22.18		
40	1	77		19.14	19.29	19.17	18.74	19.11	19.16	21.95	22.21	22.18		
40	78	0		19.69	19.92	19.74	19.22	19.78	19.68	22.47	22.86	22.72		
40	1	1	16-QAM	20.81	20.95	20.85	20.27	20.70	20.73	23.56	23.84	23.80	27.09	0.5117
40	1	1	64-QAM	19.33	19.37	19.63	18.75	19.39	19.03	22.06	22.39	22.35		
40	1	1	256-QAM	16.01	16.26	16.44	15.69	16.54	16.20	18.86	19.41	19.33		
Limit	Power < 2W			Result									Pass	



NR n41 Maximum Average Power [dBm], DG = 3.25 dBi														
BW (MHz)	RB Size	RB Offset	Mod	Antenna 0			Antenna 1			Combine			EIRP (dBm)	EIRP (W)
				Lowest	Middle	Highest	Lowest	Middle	Highest	Lowest	Middle	Highest		
50	1	1	QPSK	21.36	21.36	21.42	20.89	21.54	21.29	24.14	24.46	24.37	27.71	0.5902
50	1	131		21.29	21.36	21.27	20.85	21.39	21.34	24.09	24.39	24.32		
50	67	33		21.30	21.41	21.41	20.85	21.28	21.26	24.09	24.36	24.35		
50	1	0		19.30	19.32	19.44	18.84	19.38	19.26	22.09	22.36	22.36		
50	1	132		19.23	19.25	19.16	18.77	19.27	19.26	22.02	22.27	22.22		
50	133	0		19.81	19.94	19.89	19.38	19.77	19.78	22.61	22.87	22.85		
50	1	1	16-QAM	20.93	20.97	21.02	20.39	20.98	20.71	23.68	23.99	23.88	27.24	0.5297
50	1	1	64-QAM	19.39	19.30	19.27	18.81	19.33	19.34	22.12	22.33	22.32		
50	1	1	256-QAM	16.07	16.40	16.62	15.98	16.55	16.35	19.04	19.49	19.50		
Limit	Power < 2W			Result									Pass	

NR n41 Maximum Average Power [dBm], DG = 3.25 dBi														
BW (MHz)	RB Size	RB Offset	Mod	Antenna 0			Antenna 1			Combine			EIRP (dBm)	EIRP (W)
				Lowest	Middle	Highest	Lowest	Middle	Highest	Lowest	Middle	Highest		
60	1	1	QPSK	21.21	21.32	21.34	20.81	21.39	21.24	24.02	24.37	24.30	27.69	0.5875
60	1	160		21.37	21.39	21.27	20.84	21.27	21.30	24.12	24.34	24.30		
60	81	40		21.19	21.48	21.34	20.74	21.37	21.17	23.98	24.44	24.27		
60	1	0		19.19	19.43	19.33	18.81	19.42	19.23	22.01	22.44	22.29		
60	1	161		19.30	19.35	19.23	18.80	19.23	19.17	22.07	22.30	22.21		
60	162	0		19.72	19.93	19.79	19.26	19.81	19.69	22.51	22.88	22.75		
60	1	1	16-QAM	20.65	20.85	20.84	20.32	20.94	20.85	23.50	23.91	23.86	27.16	0.5200
60	1	1	64-QAM	19.34	19.17	19.35	18.69	19.36	19.04	22.04	22.28	22.21		
60	1	1	256-QAM	16.20	16.31	16.61	15.79	16.30	16.18	19.01	19.32	19.41		
Limit	Power < 2W			Result									Pass	



NR n41 Maximum Average Power [dBm], DG = 3.25 dBi														
BW (MHz)	RB Size	RB Offset	Mod	Antenna 0			Antenna 1			Combine			EIRP (dBm)	EIRP (W)
				Lowest	Middle	Highest	Lowest	Middle	Highest	Lowest	Middle	Highest		
70	1	1	QPSK	21.32	21.37	21.30	20.89	21.27	21.18	24.12	24.33	24.25	27.68	0.5861
70	1	187		21.24	21.42	21.44	21.02	21.23	21.39	24.14	24.34	24.43		
70	95	47		21.23	21.43	21.26	20.71	21.33	20.98	23.99	24.39	24.13		
70	1	0		19.41	19.41	19.22	18.76	19.39	19.14	22.11	22.41	22.19		
70	1	188		19.26	19.39	19.39	18.85	19.20	19.13	22.07	22.31	22.27		
70	189	0		19.79	19.93	19.77	19.33	19.87	19.53	22.58	22.91	22.66		
70	1	1	16-QAM	20.80	20.90	20.87	20.38	20.78	20.61	23.61	23.85	23.75	27.1	0.5129
70	1	1	64-QAM	19.63	19.28	19.45	18.58	19.48	19.24	22.15	22.39	22.36		
70	1	1	256-QAM	16.31	16.56	16.30	15.86	16.40	16.11	19.10	19.49	19.22		
Limit	Power < 2W			Result									Pass	

NR n41 Maximum Average Power [dBm], DG = 3.25 dBi														
BW (MHz)	RB Size	RB Offset	Mod	Antenna 0			Antenna 1			Combine			EIRP (dBm)	EIRP (W)
				Lowest	Middle	Highest	Lowest	Middle	Highest	Lowest	Middle	Highest		
80	1	1	QPSK	21.27	21.37	21.35	20.78	21.39	21.30	24.04	24.39	24.34	27.64	0.5808
80	1	215		21.46	21.42	21.30	20.82	21.34	21.33	24.16	24.39	24.33		
80	109	54		21.21	21.35	21.43	20.73	21.38	21.13	23.99	24.38	24.29		
80	1	0		19.30	19.42	19.36	18.83	19.36	19.14	22.08	22.40	22.26		
80	1	216		19.29	19.30	19.45	18.94	19.16	19.28	22.13	22.24	22.38		
80	217	0		19.69	19.94	19.91	19.11	19.80	19.68	22.42	22.88	22.81		
80	1	1	16-QAM	20.77	21.12	20.98	20.52	21.01	20.75	23.66	24.08	23.88	27.33	0.5408
80	1	1	64-QAM	19.47	19.35	19.44	18.51	19.69	19.11	22.03	22.53	22.29		
80	1	1	256-QAM	16.23	16.38	16.25	15.80	16.60	16.10	19.03	19.50	19.19		
Limit	Power < 2W			Result									Pass	



NR n41 Maximum Average Power [dBm], DG = 3.25 dBi														
BW (MHz)	RB Size	RB Offset	Mod	Antenna 0			Antenna 1			Combine			EIRP (dBm)	EIRP (W)
				Lowest	Middle	Highest	Lowest	Middle	Highest	Lowest	Middle	Highest		
90	1	1	QPSK	21.38	21.41	21.62	20.89	21.47	21.51	24.15	24.45	24.58	27.83	0.6067
90	1	243		21.46	21.39	21.23	20.95	21.36	21.41	24.22	24.39	24.33		
90	123	61		21.36	21.40	21.32	20.73	21.31	21.28	24.07	24.37	24.31		
90	1	0		19.37	19.42	19.59	18.91	19.40	19.45	22.16	22.42	22.53		
90	1	244		19.32	19.50	19.25	18.86	19.33	19.33	22.11	22.43	22.30		
90	245	0		19.81	19.89	19.93	19.35	19.83	19.75	22.60	22.87	22.85		
90	1	1	16-QAM	20.90	21.19	21.37	20.55	20.70	21.12	23.74	23.96	24.26	27.51	0.5636
90	1	1	64-QAM	19.45	19.56	19.47	19.23	19.17	19.45	22.35	22.38	22.47		
90	1	1	256-QAM	16.62	16.39	16.57	16.03	16.56	16.33	19.35	19.49	19.46		
Limit	Power < 2W			Result									Pass	

NR n41 Maximum Average Power [dBm], DG = 3.25 dBi														
BW (MHz)	RB Size	RB Offset	Mod	Antenna 0			Antenna 1			Combine			EIRP (dBm)	EIRP (W)
				Lowest	Middle	Highest	Lowest	Middle	Highest	Lowest	Middle	Highest		
100	1	1	QPSK	21.43	21.63	21.46	20.97	21.38	21.32	24.22	24.52	24.40	27.77	0.5984
100	1	271		21.65	21.63	21.38	20.88	21.36	21.38	24.29	24.51	24.39		
100	137	68		21.26	21.48	21.36	20.71	21.40	21.33	24.00	24.45	24.36		
100	1	0		19.34	19.34	19.42	18.90	19.48	19.35	22.14	22.42	22.40		
100	1	272		19.55	19.54	19.31	18.82	19.18	19.34	22.21	22.37	22.34		
100	273	0		19.70	19.87	19.84	19.28	19.78	19.78	22.51	22.84	22.82		
100	1	1	16-QAM	21.13	21.12	20.89	20.08	20.94	20.91	23.65	24.04	23.91	27.29	0.5358
100	1	1	64-QAM	19.22	19.56	19.56	18.97	19.55	19.49	22.11	22.57	22.54		
100	1	1	256-QAM	16.52	16.60	16.53	16.02	16.71	16.47	19.29	19.67	19.51		
Limit	Power < 2W			Result									Pass	



Part270 NR n77 Maximum Average Power [dBm], DG = -1.3 dBi														
BW (MHz)	RB Size	RB Offset	Mod	Antenna 7			Antenna 1			Combine			EIRP (dBm)	EIRP (W)
				Lowest	Middle	Highest	Lowest	Middle	Highest	Lowest	Middle	Highest		
10	1	1	QPSK	20.96	20.98	20.69	21.38	21.31	21.34	24.19	24.16	24.04	22.93	0.1963
10	1	22		21.04	21.10	20.68	21.37	21.33	21.30	24.22	24.23	24.01		
10	12	6		20.99	21.02	20.74	21.37	21.26	21.34	24.19	24.15	24.06		
10	1	0		19.01	19.03	18.70	19.44	19.32	19.36	22.24	22.19	22.05		
10	1	23		19.01	19.12	18.72	19.35	19.31	19.26	22.19	22.23	22.01		
10	24	0		18.47	18.52	18.23	18.85	18.77	18.83	21.67	21.66	21.55		
10	1	1	16-QAM	20.45	20.41	20.18	21.07	20.67	20.81	23.78	23.55	23.52	22.48	0.1770
10	1	1	64-QAM	18.92	18.96	18.74	19.53	19.25	19.36	22.25	22.12	22.07		
10	1	1	256-QAM	15.76	15.91	15.70	16.52	16.48	16.43	19.17	19.21	19.09		
Limit	EIRP < 1W			Result									Pass	

Part270 NR n77 Maximum Average Power [dBm], DG = -1.3 dBi														
BW (MHz)	RB Size	RB Offset	Mod	Antenna 7			Antenna 1			Combine			EIRP (dBm)	EIRP (W)
				Lowest	Middle	Highest	Lowest	Middle	Highest	Lowest	Middle	Highest		
15	1	1	QPSK	20.91	20.96	20.62	21.41	21.30	21.31	24.18	24.14	23.99	22.92	0.1959
15	1	36		20.90	21.10	20.65	21.34	21.32	21.27	24.14	24.22	23.98		
15	19	9		20.94	21.07	20.67	21.37	21.31	21.26	24.17	24.20	23.99		
15	1	0		18.97	19.01	18.68	19.41	19.31	19.31	22.21	22.17	22.02		
15	1	37		18.90	19.12	18.66	19.30	19.33	19.27	22.11	22.24	21.99		
15	38	0		18.47	18.55	18.15	18.90	18.77	18.77	21.70	21.67	21.48		
15	1	1	16-QAM	20.40	20.51	20.14	20.93	20.70	20.79	23.68	23.62	23.49	22.38	0.1730
15	1	1	64-QAM	18.92	18.83	18.45	19.49	19.47	19.23	22.22	22.17	21.87		
15	1	1	256-QAM	15.88	15.99	15.63	16.34	16.36	16.17	19.13	19.19	18.92		
Limit	EIRP < 1W			Result									Pass	





Part270 NR n77 Maximum Average Power [dBm], DG = -1.3 dBi														
BW (MHz)	RB Size	RB Offset	Mod	Antenna 7			Antenna 1			Combine			EIRP (dBm)	EIRP (W)
				Lowest	Middle	Highest	Lowest	Middle	Highest	Lowest	Middle	Highest		
20	1	1	QPSK	20.84	20.93	20.66	21.44	21.38	21.28	24.16	24.17	23.99	23.04	0.2014
20	1	49		20.85	21.19	20.75	21.29	21.46	21.31	24.09	24.34	24.05		
20	25	12		20.97	21.04	20.70	21.36	21.29	21.34	24.18	24.18	24.04		
20	1	0		18.94	19.03	18.70	19.39	19.35	19.28	22.18	22.20	22.01		
20	1	50		18.79	19.16	18.74	19.24	19.33	19.29	22.03	22.26	22.03		
20	51	0		18.47	18.51	18.20	18.84	18.78	18.83	21.67	21.66	21.54		
20	1	1	16-QAM	20.44	20.44	20.24	21.09	20.78	20.82	23.79	23.62	23.55	22.49	0.1774
20	1	1	64-QAM	19.00	18.89	18.67	19.52	19.49	19.33	22.28	22.21	22.02		
20	1	1	256-QAM	15.81	15.93	15.47	16.33	16.26	16.19	19.09	19.11	18.86		
Limit	EIRP < 1W			Result									Pass	

Part270 NR n77 Maximum Average Power [dBm], DG = -1.3 dBi														
BW (MHz)	RB Size	RB Offset	Mod	Antenna 7			Antenna 1			Combine			EIRP (dBm)	EIRP (W)
				Lowest	Middle	Highest	Lowest	Middle	Highest	Lowest	Middle	Highest		
25	1	1	QPSK	20.85	20.95	20.75	21.42	21.34	21.35	24.15	24.16	24.07	22.98	0.1986
25	1	63		20.77	21.16	20.73	21.16	21.38	21.34	23.98	24.28	24.06		
25	33	16		20.92	21.04	20.74	21.31	21.29	21.35	24.13	24.18	24.07		
25	1	0		18.94	19.01	18.83	19.42	19.40	19.38	22.20	22.22	22.12		
25	1	64		18.80	19.10	18.77	19.17	19.35	19.34	22.00	22.24	22.07		
25	65	0		18.40	18.52	18.22	18.82	18.79	18.85	21.63	21.67	21.56		
25	1	1	16-QAM	20.39	20.40	20.27	20.84	20.97	20.80	23.63	23.70	23.55	22.4	0.1738
25	1	1	64-QAM	18.91	18.85	18.67	19.44	19.51	19.22	22.19	22.20	21.96		
25	1	1	256-QAM	15.82	15.89	15.65	16.39	16.21	16.24	19.12	19.06	18.97		
Limit	EIRP < 1W			Result									Pass	



Part270 NR n77 Maximum Average Power [dBm], DG = -1.3 dBi														
BW (MHz)	RB Size	RB Offset	Mod	Antenna 7			Antenna 1			Combine			EIRP (dBm)	EIRP (W)
				Lowest	Middle	Highest	Lowest	Middle	Highest	Lowest	Middle	Highest		
30	1	1	QPSK	20.93	20.84	20.78	21.45	21.37	21.18	24.21	24.12	23.99	22.91	0.1954
30	1	76		20.81	21.01	20.64	21.24	21.38	21.24	24.04	24.21	23.96		
30	39	19		20.89	21.06	20.68	21.30	21.32	21.30	24.11	24.20	24.01		
30	1	0		18.92	18.85	18.83	19.48	19.36	19.21	22.22	22.12	22.03		
30	1	77		18.86	19.02	18.71	19.23	19.37	19.21	22.06	22.21	21.98		
30	78	0		18.40	18.52	18.15	18.79	18.80	18.78	21.61	21.67	21.49		
30	1	1	16-QAM	20.22	20.45	20.33	20.99	20.75	20.65	23.63	23.61	23.50	22.33	0.1710
30	1	1	64-QAM	18.91	18.79	18.76	19.29	19.32	19.30	22.11	22.07	22.05		
30	1	1	256-QAM	15.98	15.81	15.66	16.31	16.26	16.12	19.16	19.05	18.91		
Limit	EIRP < 1W			Result									Pass	

Part270 NR n77 Maximum Average Power [dBm], DG = -1.3 dBi														
BW (MHz)	RB Size	RB Offset	Mod	Antenna 7			Antenna 1			Combine			EIRP (dBm)	EIRP (W)
				Lowest	Middle	Highest	Lowest	Middle	Highest	Lowest	Middle	Highest		
40	1	1	QPSK	20.94	20.93	20.77	21.40	21.38	21.23	24.19	24.17	24.02	22.96	0.1977
40	1	104		21.07	21.12	20.70	21.18	21.38	21.36	24.14	24.26	24.05		
40	53	26		20.75	21.00	20.72	21.20	21.26	21.39	23.99	24.14	24.08		
40	1	0		19.00	18.89	18.77	19.40	19.39	19.14	22.21	22.16	21.97		
40	1	105		18.99	19.04	18.69	19.14	19.49	19.38	22.08	22.28	22.06		
40	106	0		18.41	18.49	18.21	18.72	18.78	18.80	21.58	21.65	21.53		
40	1	1	16-QAM	20.41	20.50	20.37	20.93	20.87	20.74	23.69	23.70	23.57	22.4	0.1738
40	1	1	64-QAM	18.95	18.80	18.69	19.55	19.27	19.21	22.27	22.05	21.97		
40	1	1	256-QAM	15.92	15.82	15.78	16.17	16.28	15.99	19.06	19.07	18.90		
Limit	EIRP < 1W			Result									Pass	



Part270 NR n77 Maximum Average Power [dBm], DG = -1.3 dBi														
BW (MHz)	RB Size	RB Offset	Mod	Antenna 7			Antenna 1			Combine			EIRP (dBm)	EIRP (W)
				Lowest	Middle	Highest	Lowest	Middle	Highest	Lowest	Middle	Highest		
50	1	1	QPSK	20.85	20.94	20.63	21.43	21.45	21.17	24.16	24.21	23.92	23.01	0.2000
50	1	131		21.07	21.16	20.66	21.18	21.43	21.27	24.14	24.31	23.99		
50	67	33		20.86	21.03	20.73	21.27	21.37	21.28	24.08	24.21	24.02		
50	1	0		18.92	19.02	18.72	19.40	19.36	19.25	22.18	22.20	22.00		
50	1	132		19.06	19.02	18.77	19.18	19.50	19.24	22.13	22.28	22.02		
50	133	0		18.33	18.52	18.22	18.74	18.80	18.70	21.55	21.67	21.48		
50	1	1	16-QAM	20.38	20.49	20.09	20.94	21.00	20.75	23.68	23.76	23.44	22.46	0.1762
50	1	1	64-QAM	18.96	18.81	18.63	19.57	19.41	19.07	22.29	22.13	21.87		
50	1	1	256-QAM	15.83	15.76	15.54	16.47	16.21	16.17	19.17	19.00	18.88		
Limit	EIRP < 1W			Result									Pass	

Part270 NR n77 Maximum Average Power [dBm], DG = -1.3 dBi														
BW (MHz)	RB Size	RB Offset	Mod	Antenna 7			Antenna 1			Combine			EIRP (dBm)	EIRP (W)
				Lowest	Middle	Highest	Lowest	Middle	Highest	Lowest	Middle	Highest		
60	1	1	QPSK	20.77	20.93	20.72	21.41	21.42	21.33	24.11	24.19	24.05	23	0.1995
60	1	160		21.05	21.09	20.93	21.44	21.49	21.23	24.26	24.30	24.09		
60	81	40		20.80	21.03	20.80	21.29	21.27	21.20	24.06	24.16	24.01		
60	1	0		18.99	18.94	18.73	19.44	19.42	19.20	22.23	22.20	21.98		
60	1	161		18.96	19.15	19.02	19.30	19.45	19.32	22.14	22.31	22.18		
60	162	0		18.44	18.55	18.29	18.68	18.81	18.74	21.57	21.69	21.53		
60	1	1	16-QAM	20.26	20.39	20.28	21.07	20.87	20.61	23.69	23.65	23.46	22.39	0.1734
60	1	1	64-QAM	18.79	18.67	18.69	19.12	19.40	19.63	21.97	22.06	22.20		
60	1	1	256-QAM	16.05	16.11	15.66	16.44	16.32	16.06	19.26	19.23	18.87		
Limit	EIRP < 1W			Result									Pass	



Part270 NR n77 Maximum Average Power [dBm], DG = -1.3 dBi														
BW (MHz)	RB Size	RB Offset	Mod	Antenna 7			Antenna 1			Combine			EIRP (dBm)	EIRP (W)
				Lowest	Middle	Highest	Lowest	Middle	Highest	Lowest	Middle	Highest		
70	1	1	QPSK	20.80	21.15	21.01	21.45	21.40	21.34	24.15	24.29	24.19	23.04	0.2014
70	1	187		21.05	21.10	21.01	21.46	21.54	21.56	24.27	24.34	24.30		
70	95	47		20.95	21.10	20.87	21.27	21.31	21.25	24.12	24.22	24.07		
70	1	0		19.04	19.12	19.13	19.56	19.25	19.42	22.32	22.20	22.29		
70	1	188		19.00	18.93	18.89	19.40	19.45	19.41	22.21	22.21	22.17		
70	189	0		18.50	18.48	18.39	18.88	18.79	18.73	21.70	21.65	21.57		
70	1	1	16-QAM	20.47	20.53	20.65	20.94	20.57	20.99	23.72	23.56	23.83	22.53	0.1791
70	1	1	64-QAM	18.89	18.76	18.83	19.53	19.28	19.38	22.23	22.04	22.12		
70	1	1	256-QAM	15.91	15.99	16.08	16.52	16.18	16.39	19.24	19.10	19.25		
Limit	EIRP < 1W			Result									Pass	

Part270 NR n77 Maximum Average Power [dBm], DG = -1.3 dBi														
BW (MHz)	RB Size	RB Offset	Mod	Antenna 7			Antenna 1			Combine			EIRP (dBm)	EIRP (W)
				Lowest	Middle	Highest	Lowest	Middle	Highest	Lowest	Middle	Highest		
80	1	1	QPSK	21.00	20.96	21.03	21.55	21.38	21.36	24.29	24.19	24.21	22.99	0.1991
80	1	215		21.11	21.08	20.93	21.38	21.48	21.41	24.26	24.29	24.19		
80	109	54		20.92	21.05	20.80	21.22	21.36	21.16	24.08	24.22	23.99		
80	1	0		18.92	19.04	19.18	19.55	19.44	19.22	22.26	22.25	22.21		
80	1	216		18.99	19.08	18.79	19.37	19.43	19.24	22.19	22.27	22.03		
80	217	0		18.40	18.52	18.24	18.77	18.80	18.64	21.60	21.67	21.45		
80	1	1	16-QAM	20.26	20.44	20.52	20.92	20.85	21.03	23.61	23.66	23.79	22.49	0.1774
80	1	1	64-QAM	18.97	19.19	18.95	19.83	19.77	19.31	22.43	22.50	22.14		
80	1	1	256-QAM	15.92	16.00	16.03	16.45	16.39	16.34	19.20	19.21	19.20		
Limit	EIRP < 1W			Result									Pass	



Part270 NR n77 Maximum Average Power [dBm], DG = -1.3 dBi														
BW (MHz)	RB Size	RB Offset	Mod	Antenna 7			Antenna 1			Combine			EIRP (dBm)	EIRP (W)
				Lowest	Middle	Highest	Lowest	Middle	Highest	Lowest	Middle	Highest		
90	1	1	QPSK	20.97	21.10	21.07	21.58	21.55	21.42	24.30	24.34	24.26	23.15	0.2065
90	1	243		21.30	21.08	21.05	21.57	21.45	21.36	24.45	24.28	24.22		
90	123	61		20.89	21.10	20.76	21.28	21.30	21.09	24.10	24.21	23.94		
90	1	0		18.91	19.17	19.24	19.56	19.34	19.44	22.26	22.27	22.35		
90	1	244		19.28	19.20	18.85	19.48	19.42	19.31	22.39	22.32	22.10		
90	245	0		18.41	18.49	18.24	18.76	18.88	18.72	21.60	21.70	21.50		
90	1	1	16-QAM	20.74	20.79	20.86	21.23	21.01	20.88	24.00	23.91	23.88	22.7	0.1862
90	1	1	64-QAM	18.99	19.19	19.19	19.56	19.75	19.42	22.29	22.49	22.32		
90	1	1	256-QAM	16.02	16.22	16.02	16.61	16.37	16.41	19.34	19.31	19.23		
Limit	EIRP < 1W			Result									Pass	

Part270 NR n77 Maximum Average Power [dBm], DG = -1.3 dBi														
BW (MHz)	RB Size	RB Offset	Mod	Antenna 7			Antenna 1			Combine			EIRP (dBm)	EIRP (W)
				Lowest	Middle	Highest	Lowest	Middle	Highest	Lowest	Middle	Highest		
100	1	1	QPSK	21.23	21.17	21.24	21.67	21.42	21.63	24.47	24.31	24.45	23.25	0.2113
100	1	271		21.43	21.20	21.00	21.64	21.51	21.57	24.55	24.37	24.30		
100	137	68		21.05	21.09	20.75	21.32	21.42	21.21	24.20	24.27	24.00		
100	1	0		19.11	19.23	19.19	19.47	19.61	19.69	22.30	22.43	22.46		
100	1	272		19.47	19.36	18.96	19.66	19.66	19.53	22.58	22.52	22.26		
100	273	0		18.60	18.64	18.40	18.78	18.76	18.83	21.70	21.71	21.63		
100	1	1	16-QAM	20.83	20.63	20.73	21.10	21.04	21.15	23.98	23.85	23.96	22.68	0.1854
100	1	1	64-QAM	18.82	19.07	19.12	19.59	19.71	19.50	22.23	22.41	22.32		
100	1	1	256-QAM	16.07	16.23	16.00	16.72	16.45	16.48	19.42	19.35	19.26		
Limit	EIRP < 1W			Result									Pass	



Part270 NR n78 Maximum Average Power [dBm], DG = -1.3 dBi														
BW (MHz)	RB Size	RB Offset	Mod	Antenna 7			Antenna 1			Combine			EIRP (dBm)	EIRP (W)
				Lowest	Middle	Highest	Lowest	Middle	Highest	Lowest	Middle	Highest		
10	1	1	QPSK	20.75	20.81	20.69	21.40	21.16	21.25	24.10	24.00	23.99	22.8	0.1905
10	1	22		20.76	20.80	20.75	21.40	21.18	21.26	24.10	24.00	24.02		
10	12	6		20.79	20.81	20.82	21.35	21.14	21.25	24.09	23.99	24.05		
10	1	0		18.80	18.83	18.75	19.45	19.18	19.26	22.15	22.02	22.02		
10	1	23		18.82	18.81	18.75	19.35	19.19	19.24	22.10	22.01	22.01		
10	24	0		18.26	18.27	18.29	18.83	18.64	18.71	21.56	21.47	21.52		
10	1	1	16-QAM	20.46	20.27	20.22	20.97	20.70	20.68	23.73	23.50	23.47	22.43	0.1750
10	1	1	64-QAM	18.74	18.67	18.67	19.32	19.08	19.12	22.05	21.89	21.91		
10	1	1	256-QAM	15.59	15.61	15.68	16.60	16.26	16.28	19.13	18.96	19.00		
Limit	EIRP < 1W			Result									Pass	

Part270 NR n78 Maximum Average Power [dBm], DG = -1.3 dBi														
BW (MHz)	RB Size	RB Offset	Mod	Antenna 7			Antenna 1			Combine			EIRP (dBm)	EIRP (W)
				Lowest	Middle	Highest	Lowest	Middle	Highest	Lowest	Middle	Highest		
15	1	1	QPSK	20.67	20.72	20.65	21.46	21.08	21.26	24.09	23.91	23.98	22.79	0.1901
15	1	36		20.64	20.69	20.78	21.34	21.16	21.31	24.01	23.94	24.06		
15	19	9		20.77	20.78	20.73	21.32	21.13	21.20	24.06	23.97	23.98		
15	1	0		18.72	18.74	18.74	19.41	19.09	19.26	22.09	21.93	22.02		
15	1	37		18.66	18.66	18.81	19.32	19.13	19.29	22.01	21.91	22.07		
15	38	0		18.25	18.26	18.24	18.86	18.66	18.69	21.58	21.47	21.48		
15	1	1	16-QAM	20.14	20.26	20.06	20.85	20.69	20.63	23.52	23.49	23.36	22.22	0.1667
15	1	1	64-QAM	18.76	18.67	18.52	19.37	19.11	19.10	22.09	21.91	21.83		
15	1	1	256-QAM	15.67	15.61	15.54	16.50	16.24	16.21	19.12	18.95	18.90		
Limit	EIRP < 1W			Result									Pass	



Part270 NR n78 Maximum Average Power [dBm], DG = -1.3 dBi														
BW (MHz)	RB Size	RB Offset	Mod	Antenna 7			Antenna 1			Combine			EIRP (dBm)	EIRP (W)
				Lowest	Middle	Highest	Lowest	Middle	Highest	Lowest	Middle	Highest		
20	1	1	QPSK	20.64	20.59	20.58	21.38	21.19	21.14	24.04	23.91	23.88	22.74	0.1879
20	1	49		20.60	20.60	20.78	21.21	21.27	21.24	23.93	23.96	24.03		
20	25	12		20.75	20.78	20.78	21.30	21.15	21.23	24.04	23.98	24.02		
20	1	0		18.71	18.65	18.62	19.38	19.17	19.19	22.07	21.93	21.92		
20	1	50		18.56	18.58	18.79	19.17	19.23	19.19	21.89	21.93	22.00		
20	51	0		18.24	18.24	18.25	18.82	18.63	18.72	21.55	21.45	21.50		
20	1	1	16-QAM	20.35	20.10	20.19	21.01	20.57	20.71	23.70	23.35	23.47	22.4	0.1738
20	1	1	64-QAM	18.54	18.52	18.54	19.40	19.06	19.27	22.00	21.81	21.93		
20	1	1	256-QAM	15.70	15.66	15.63	16.39	16.15	16.27	19.07	18.92	18.97		
Limit	EIRP < 1W			Result									Pass	

Part270 NR n78 Maximum Average Power [dBm], DG = -1.3 dBi														
BW (MHz)	RB Size	RB Offset	Mod	Antenna 7			Antenna 1			Combine			EIRP (dBm)	EIRP (W)
				Lowest	Middle	Highest	Lowest	Middle	Highest	Lowest	Middle	Highest		
25	1	1	QPSK	20.76	20.76	20.58	21.33	21.16	21.18	24.06	23.97	23.90	22.76	0.1888
25	1	63		20.63	20.66	20.77	21.14	21.25	21.23	23.90	23.98	24.02		
25	33	16		20.70	20.79	20.75	21.27	21.20	21.21	24.00	24.01	24.00		
25	1	0		18.76	18.67	18.51	19.36	19.05	19.03	22.08	21.87	21.79		
25	1	64		18.63	18.66	18.75	19.09	19.22	19.20	21.88	21.96	21.99		
25	65	0		18.19	18.24	18.22	18.77	18.67	18.72	21.50	21.47	21.49		
25	1	1	16-QAM	20.27	20.18	20.14	20.72	20.75	20.63	23.51	23.48	23.40	22.21	0.1663
25	1	1	64-QAM	18.70	18.59	18.40	19.37	19.10	19.12	22.06	21.86	21.79		
25	1	1	256-QAM	15.65	15.63	15.37	16.47	16.15	16.28	19.09	18.91	18.86		
Limit	EIRP < 1W			Result									Pass	



Part270 NR n78 Maximum Average Power [dBm], DG = -1.3 dBi														
BW (MHz)	RB Size	RB Offset	Mod	Antenna 7			Antenna 1			Combine			EIRP (dBm)	EIRP (W)
				Lowest	Middle	Highest	Lowest	Middle	Highest	Lowest	Middle	Highest		
30	1	1	QPSK	20.72	20.66	20.53	21.41	21.18	21.23	24.09	23.94	23.90	22.79	0.1901
30	1	76		20.64	20.60	20.87	21.14	21.25	21.21	23.91	23.95	24.05		
30	39	19		20.72	20.79	20.69	21.27	21.20	21.17	24.01	24.01	23.95		
30	1	0		18.76	18.68	18.60	19.40	19.18	19.28	22.10	21.95	21.96		
30	1	77		18.69	18.69	18.90	19.15	19.25	19.25	21.94	21.99	22.09		
30	78	0		18.21	18.29	18.19	18.75	18.68	18.67	21.50	21.50	21.45		
30	1	1	16-QAM	20.19	20.16	20.00	20.91	20.63	20.61	23.58	23.41	23.33	22.28	0.1690
30	1	1	64-QAM	18.55	18.65	18.30	19.34	19.11	19.36	21.97	21.90	21.87		
30	1	1	256-QAM	15.69	15.56	15.55	16.45	16.17	16.25	19.10	18.89	18.92		
Limit	EIRP < 1W			Result									Pass	

Part270 NR n78 Maximum Average Power [dBm], DG = -1.3 dBi														
BW (MHz)	RB Size	RB Offset	Mod	Antenna 7			Antenna 1			Combine			EIRP (dBm)	EIRP (W)
				Lowest	Middle	Highest	Lowest	Middle	Highest	Lowest	Middle	Highest		
40	1	1	QPSK	20.66	20.59	20.52	21.40	21.12	21.05	24.06	23.87	23.80	22.76	0.1888
40	1	104		20.72	20.73	20.80	21.20	21.35	21.20	23.98	24.06	24.01		
40	53	26		20.55	20.77	20.63	21.11	21.20	21.24	23.85	24.00	23.96		
40	1	0		18.66	18.67	18.39	19.33	19.18	19.04	22.02	21.94	21.74		
40	1	105		18.64	18.76	18.82	19.32	19.42	19.21	22.00	22.11	22.03		
40	106	0		18.04	18.22	18.15	18.64	18.67	18.63	21.36	21.46	21.41		
40	1	1	16-QAM	20.23	19.79	20.15	21.05	20.57	20.65	23.67	23.21	23.42	22.37	0.1726
40	1	1	64-QAM	18.37	18.47	18.62	19.55	19.05	19.07	22.01	21.78	21.86		
40	1	1	256-QAM	15.65	15.48	15.40	16.23	16.11	16.32	18.96	18.82	18.89		
Limit	EIRP < 1W			Result									Pass	





Part270 NR n78 Maximum Average Power [dBm], DG = -1.3 dBi														
BW (MHz)	RB Size	RB Offset	Mod	Antenna 7			Antenna 1			Combine			EIRP (dBm)	EIRP (W)
				Lowest	Middle	Highest	Lowest	Middle	Highest	Lowest	Middle	Highest		
50	1	1	QPSK	20.71	20.56	20.56	21.46	21.20	21.11	24.11	23.90	23.85	22.81	0.1910
50	1	131		20.85	20.79	20.89	21.23	21.25	21.22	24.05	24.04	24.07		
50	67	33		20.67	20.79	20.61	21.16	21.20	21.19	23.93	24.01	23.92		
50	1	0		18.77	18.59	18.62	19.47	19.12	19.18	22.14	21.87	21.92		
50	1	132		18.87	18.77	18.88	19.22	19.28	19.36	22.06	22.04	22.14		
50	133	0		18.09	18.26	18.12	18.70	18.72	18.67	21.42	21.51	21.41		
50	1	1	16-QAM	20.29	19.97	20.22	20.93	20.93	20.67	23.63	23.49	23.46	22.33	0.1710
50	1	1	64-QAM	18.70	18.56	18.79	19.42	19.16	19.03	22.09	21.88	21.92		
50	1	1	256-QAM	16.08	15.41	15.41	16.11	16.31	16.18	19.11	18.89	18.82		
Limit	EIRP < 1W			Result									Pass	

Part270 NR n78 Maximum Average Power [dBm], DG = -1.3 dBi														
BW (MHz)	RB Size	RB Offset	Mod	Antenna 7			Antenna 1			Combine			EIRP (dBm)	EIRP (W)
				Lowest	Middle	Highest	Lowest	Middle	Highest	Lowest	Middle	Highest		
60	1	1	QPSK	20.81	20.63	20.59	21.58	21.20	21.18	24.22	23.93	23.91	22.92	0.1959
60	1	160		20.76	20.84	20.91	21.36	21.25	21.28	24.08	24.06	24.11		
60	81	40		20.70	20.78	20.62	21.21	21.17	21.27	23.97	23.99	23.97		
60	1	0		18.77	18.57	18.67	19.56	19.08	19.17	22.19	21.84	21.94		
60	1	161		18.85	18.83	18.91	19.44	19.24	19.30	22.17	22.05	22.12		
60	162	0		18.17	18.28	18.17	18.70	18.69	18.76	21.45	21.50	21.49		
60	1	1	16-QAM	20.31	20.14	20.12	21.19	20.65	20.71	23.78	23.41	23.44	22.48	0.1770
60	1	1	64-QAM	18.79	18.56	18.80	19.58	19.27	19.11	22.21	21.94	21.97		
60	1	1	256-QAM	15.43	15.47	15.56	16.18	16.16	16.22	18.83	18.84	18.91		
Limit	EIRP < 1W			Result									Pass	



Part270 NR n78 Maximum Average Power [dBm], DG = -1.3 dBi														
BW (MHz)	RB Size	RB Offset	Mod	Antenna 7			Antenna 1			Combine			EIRP (dBm)	EIRP (W)
				Lowest	Middle	Highest	Lowest	Middle	Highest	Lowest	Middle	Highest		
70	1	1	QPSK	20.80	20.68	20.69	21.50	21.33	21.21	24.17	24.03	23.97	23	0.1995
70	1	187		20.95	21.00	21.14	21.32	21.37	21.44	24.15	24.20	24.30		
70	95	47		20.78	20.84	20.72	21.30	21.22	21.29	24.06	24.04	24.02		
70	1	0		18.81	18.69	18.75	19.44	19.29	19.19	22.15	22.01	21.99		
70	1	188		18.76	18.87	18.97	19.27	19.42	19.39	22.03	22.16	22.20		
70	189	0		18.23	18.35	18.24	18.76	18.81	18.70	21.51	21.60	21.49		
70	1	1	16-QAM	20.43	20.17	20.18	20.87	20.67	20.71	23.67	23.44	23.46	22.37	0.1726
70	1	1	64-QAM	18.63	18.53	18.61	19.36	19.25	19.11	22.02	21.92	21.88		
70	1	1	256-QAM	15.75	15.62	15.55	16.61	16.37	16.21	19.21	19.02	18.90		
Limit	EIRP < 1W			Result									Pass	

Part270 NR n78 Maximum Average Power [dBm], DG = -1.3 dBi														
BW (MHz)	RB Size	RB Offset	Mod	Antenna 7			Antenna 1			Combine			EIRP (dBm)	EIRP (W)
				Lowest	Middle	Highest	Lowest	Middle	Highest	Lowest	Middle	Highest		
80	1	1	QPSK	20.70	20.76	20.73	21.38	21.42	21.21	24.06	24.11	23.99	22.95	0.1972
80	1	215		20.91	20.99	21.11	21.38	21.48	21.35	24.16	24.25	24.24		
80	109	54		20.72	20.83	20.72	21.22	21.21	21.23	23.99	24.03	23.99		
80	1	0		18.81	18.91	18.84	19.54	19.38	19.22	22.20	22.16	22.04		
80	1	216		18.96	19.02	19.15	19.30	19.44	19.40	22.14	22.25	22.29		
80	217	0		18.20	18.35	18.28	18.72	18.72	18.70	21.48	21.55	21.51		
80	1	1	16-QAM	20.18	20.26	20.16	20.97	21.04	20.76	23.60	23.68	23.48	22.38	0.1730
80	1	1	64-QAM	18.67	18.76	18.77	19.42	19.41	19.26	22.07	22.11	22.03		
80	1	1	256-QAM	15.93	15.72	15.51	16.47	16.47	16.18	19.22	19.12	18.87		
Limit	EIRP < 1W			Result									Pass	



Part270 NR n78 Maximum Average Power [dBm], DG = -1.3 dBi														
BW (MHz)	RB Size	RB Offset	Mod	Antenna 7			Antenna 1			Combine			EIRP (dBm)	EIRP (W)
				Lowest	Middle	Highest	Lowest	Middle	Highest	Lowest	Middle	Highest		
90	1	1	QPSK	20.84	20.81	20.84	21.59	21.55	21.46	24.24	24.21	24.17	23.06	0.2023
90	1	243		21.13	21.17	21.10	21.48	21.53	21.44	24.32	24.36	24.28		
90	123	61		20.79	20.75	20.67	21.24	21.25	21.19	24.03	24.02	23.95		
90	1	0		18.92	18.88	18.90	19.54	19.58	19.47	22.25	22.25	22.20		
90	1	244		19.14	19.16	19.18	19.51	19.49	19.40	22.34	22.34	22.30		
90	245	0		18.30	18.34	18.28	18.74	18.73	18.72	21.54	21.55	21.52		
90	1	1	16-QAM	20.28	20.42	20.37	20.92	20.89	21.08	23.62	23.67	23.75	22.45	0.1758
90	1	1	64-QAM	18.78	18.84	18.90	19.45	19.80	19.61	22.14	22.36	22.28		
90	1	1	256-QAM	15.95	16.14	15.74	16.52	16.18	16.33	19.25	19.17	19.06		
Limit	EIRP < 1W			Result									Pass	

Part270 NR n78 Maximum Average Power [dBm], DG = -1.3 dBi														
BW (MHz)	RB Size	RB Offset	Mod	Antenna 7			Antenna 1			Combine			EIRP (dBm)	EIRP (W)
				Lowest	Middle	Highest	Lowest	Middle	Highest	Lowest	Middle	Highest		
100	1	1	QPSK	-	20.91	-	-	21.58	-	-	24.27	-	23.15	0.2065
100	1	271		-	21.35	-	-	21.53	-	-	24.45	-		
100	137	68		-	20.86	-	-	21.26	-	-	24.07	-		
100	1	0		-	19.00	-	-	19.54	-	-	22.29	-		
100	1	272		-	19.29	-	-	19.55	-	-	22.43	-		
100	273	0		-	18.38	-	-	18.81	-	-	21.61	-		
100	1	1	16-QAM	-	20.48	-	-	20.97	-	-	23.74	-	22.44	0.1754
100	1	1	64-QAM	-	18.94	-	-	19.37	-	-	22.17	-		
100	1	1	256-QAM	-	15.87	-	-	16.55	-	-	19.23	-		
Limit	EIRP < 1W			Result									Pass	



Part27Q NR n77 Maximum Average Power [dBm], DG = -1.3 dBi														
BW (MHz)	RB Size	RB Offset	Mod	Antenna 7			Antenna 1			Combine			EIRP (dBm)	EIRP (W)
				Lowest	Middle	Highest	Lowest	Middle	Highest	Lowest	Middle	Highest		
10	1	1	QPSK	21.25	21.23	21.06	21.36	21.24	21.27	24.32	24.25	24.18	23.02	0.2004
10	1	22		21.16	21.19	21.09	21.37	21.18	21.26	24.28	24.20	24.19		
10	12	6		21.15	21.14	21.13	21.38	21.15	21.29	24.28	24.16	24.22		
10	1	0		19.32	19.28	19.08	19.35	19.30	19.27	22.35	22.30	22.19		
10	1	23		19.14	19.20	19.13	19.35	19.20	19.22	22.26	22.21	22.19		
10	24	0		18.67	18.64	18.67	18.86	18.67	18.80	21.78	21.67	21.75		
10	1	1	16-QAM	20.78	20.73	20.59	20.78	20.80	20.61	23.79	23.78	23.61	22.49	0.1774
10	1	1	64-QAM	19.08	18.97	19.13	19.44	19.27	19.26	22.27	22.13	22.21		
10	1	1	256-QAM	16.15	16.10	15.97	16.26	16.17	16.20	19.22	19.15	19.10		
Limit	EIRP < 1W			Result									Pass	

Part27Q NR n77 Maximum Average Power [dBm], DG = -1.3 dBi														
BW (MHz)	RB Size	RB Offset	Mod	Antenna 7			Antenna 1			Combine			EIRP (dBm)	EIRP (W)
				Lowest	Middle	Highest	Lowest	Middle	Highest	Lowest	Middle	Highest		
15	1	1	QPSK	21.22	-	21.02	21.32	-	21.31	24.28	-	24.18	22.98	0.1986
15	1	36		21.05	21.16	21.05	21.40	21.30	21.28	24.24	24.24	24.18		
15	19	9		21.16	21.11	21.11	21.36	21.15	21.23	24.27	24.14	24.18		
15	1	0		19.23	19.31	19.08	19.34	19.33	19.30	22.30	22.33	22.20		
15	1	37		19.04	19.18	19.08	19.39	19.21	19.27	22.23	22.21	22.19		
15	38	0		18.63	18.63	18.61	18.87	18.66	18.75	21.76	21.66	21.69		
15	1	1	16-QAM	20.66	20.74	20.65	20.80	20.83	20.73	23.74	23.80	23.70	22.5	0.1778
15	1	1	64-QAM	19.28	19.19	19.15	19.48	19.27	19.22	22.39	22.24	22.20		
15	1	1	256-QAM	16.08	16.18	16.16	16.44	16.26	16.21	19.27	19.23	19.20		
Limit	EIRP < 1W			Result									Pass	



Part27Q NR n77 Maximum Average Power [dBm], DG = -1.3 dBi														
BW (MHz)	RB Size	RB Offset	Mod	Antenna 7			Antenna 1			Combine			EIRP (dBm)	EIRP (W)
				Lowest	Middle	Highest	Lowest	Middle	Highest	Lowest	Middle	Highest		
20	1	1	QPSK	21.21	21.21	21.10	21.34	21.34	21.43	24.29	24.29	24.28	22.99	0.1991
20	1	49		21.05	21.18	21.14	21.45	21.19	21.31	24.26	24.20	24.24		
20	25	12		21.09	21.15	21.15	21.42	21.16	21.26	24.27	24.17	24.22		
20	1	0		19.24	19.30	19.15	19.41	19.30	19.42	22.34	22.31	22.30		
20	1	50		19.02	19.11	19.11	19.53	19.20	19.31	22.29	22.17	22.22		
20	51	0		18.60	18.64	18.61	18.90	18.69	18.73	21.76	21.68	21.68		
20	1	1	16-QAM	20.75	20.76	20.66	20.85	21.09	20.78	23.81	23.94	23.73	22.64	0.1837
20	1	1	64-QAM	19.29	19.39	19.11	19.41	19.32	19.51	22.36	22.37	22.32		
20	1	1	256-QAM	16.08	16.09	15.92	16.37	16.24	16.50	19.24	19.18	19.23		
Limit	EIRP < 1W			Result									Pass	

Part27Q NR n77 Maximum Average Power [dBm], DG = -1.3 dBi														
BW (MHz)	RB Size	RB Offset	Mod	Antenna 7			Antenna 1			Combine			EIRP (dBm)	EIRP (W)
				Lowest	Middle	Highest	Lowest	Middle	Highest	Lowest	Middle	Highest		
25	1	1	QPSK	21.30	21.33	21.14	21.39	21.45	21.34	24.36	24.40	24.25	23.1	0.2042
25	1	63		21.13	21.17	21.11	21.42	21.20	21.16	24.29	24.20	24.15		
25	33	16		21.12	21.16	21.11	21.46	21.21	21.27	24.30	24.20	24.20		
25	1	0		19.38	19.35	19.21	19.40	19.47	19.35	22.40	22.42	22.29		
25	1	64		19.17	19.15	19.16	19.42	19.22	19.18	22.31	22.20	22.18		
25	65	0		18.63	18.65	18.61	18.96	18.70	18.74	21.81	21.69	21.69		
25	1	1	16-QAM	20.63	20.57	20.56	20.90	20.97	20.81	23.78	23.78	23.70	22.48	0.1770
25	1	1	64-QAM	19.23	19.28	19.07	19.58	19.55	19.41	22.42	22.43	22.25		
25	1	1	256-QAM	16.22	16.26	16.09	16.35	16.36	16.17	19.30	19.32	19.14		
Limit	EIRP < 1W			Result									Pass	



Part27Q NR n77 Maximum Average Power [dBm], DG = -1.3 dBi														
BW (MHz)	RB Size	RB Offset	Mod	Antenna 7			Antenna 1			Combine			EIRP (dBm)	EIRP (W)
				Lowest	Middle	Highest	Lowest	Middle	Highest	Lowest	Middle	Highest		
30	1	1	QPSK	21.25	21.29	21.13	21.45	21.55	21.36	24.36	24.43	24.26	23.13	0.2056
30	1	76		21.05	21.07	21.14	21.40	21.29	21.25	24.24	24.19	24.21		
30	39	19		21.11	21.15	21.12	21.49	21.24	21.32	24.31	24.21	24.23		
30	1	0		19.26	19.34	19.19	19.45	19.54	19.34	22.37	22.45	22.28		
30	1	77		19.07	19.10	19.16	19.43	19.29	19.21	22.26	22.21	22.20		
30	78	0		18.61	18.65	18.60	18.97	18.73	18.78	21.80	21.70	21.70		
30	1	1	16-QAM	20.82	20.68	20.58	20.87	20.96	20.68	23.86	23.83	23.64	22.56	0.1803
30	1	1	64-QAM	19.14	19.08	19.08	19.48	19.55	19.50	22.32	22.33	22.31		
30	1	1	256-QAM	16.35	16.35	16.08	16.30	16.38	16.21	19.34	19.38	19.16		
Limit	EIRP < 1W			Result									Pass	

Part27Q NR n77 Maximum Average Power [dBm], DG = -1.3 dBi														
BW (MHz)	RB Size	RB Offset	Mod	Antenna 7			Antenna 1			Combine			EIRP (dBm)	EIRP (W)
				Lowest	Middle	Highest	Lowest	Middle	Highest	Lowest	Middle	Highest		
40	1	1	QPSK	21.36	21.23	21.20	21.45	21.54	21.40	24.42	24.40	24.31	23.12	0.2051
40	1	104		21.24	21.10	21.31	21.36	21.29	21.39	24.31	24.21	24.36		
40	53	26		21.18	21.07	21.11	21.57	21.18	21.29	24.39	24.14	24.21		
40	1	0		19.35	19.37	19.34	19.43	19.57	19.38	22.40	22.48	22.37		
40	1	105		19.09	19.03	19.12	19.23	19.25	19.37	22.17	22.15	22.26		
40	106	0		18.59	18.65	18.63	19.03	18.66	18.77	21.83	21.67	21.71		
40	1	1	16-QAM	20.79	20.70	20.86	20.72	21.14	20.63	23.77	23.94	23.76	22.64	0.1837
40	1	1	64-QAM	19.02	19.47	19.23	19.63	19.59	19.46	22.35	22.54	22.36		
40	1	1	256-QAM	16.28	16.40	16.29	16.35	16.40	16.09	19.33	19.41	19.20		
Limit	EIRP < 1W			Result									Pass	



Part27Q NR n77 Maximum Average Power [dBm], DG = -1.3 dBi														
BW (MHz)	RB Size	RB Offset	Mod	Antenna 7			Antenna 1			Combine			EIRP (dBm)	EIRP (W)
				Lowest	Middle	Highest	Lowest	Middle	Highest	Lowest	Middle	Highest		
50	1	1	QPSK	21.34	21.30	21.22	21.56	21.63	21.37	24.46	24.48	24.31	23.18	0.2080
50	1	131		21.08	21.09	21.20	21.18	21.22	21.28	24.14	24.17	24.25		
50	67	33		21.14	21.22	21.09	21.41	21.21	21.34	24.29	24.23	24.23		
50	1	0		19.41	19.34	19.31	19.50	19.64	19.33	22.47	22.50	22.33		
50	1	132		19.16	19.11	19.19	19.21	19.36	19.31	22.20	22.25	22.26		
50	133	0		18.66	18.64	18.62	18.91	18.73	18.79	21.80	21.70	21.72		
50	1	1	16-QAM	20.84	20.87	20.80	21.01	21.26	20.82	23.94	24.08	23.82	22.78	0.1897
50	1	1	64-QAM	19.33	19.46	19.38	19.51	19.69	19.50	22.43	22.59	22.45		
50	1	1	256-QAM	16.26	16.21	16.11	16.39	16.64	16.37	19.34	19.44	19.25		
Limit	EIRP < 1W			Result									Pass	

Part27Q NR n77 Maximum Average Power [dBm], DG = -1.3 dBi														
BW (MHz)	RB Size	RB Offset	Mod	Antenna 7			Antenna 1			Combine			EIRP (dBm)	EIRP (W)
				Lowest	Middle	Highest	Lowest	Middle	Highest	Lowest	Middle	Highest		
60	1	1	QPSK	21.44	20.89	21.43	21.46	21.68	21.55	24.46	24.31	24.50	23.2	0.2089
60	1	160		21.07	21.03	21.06	21.19	21.25	21.26	24.14	24.15	24.17		
60	81	40		21.19	21.16	21.08	21.45	21.26	21.34	24.33	24.22	24.22		
60	1	0		19.52	19.26	19.45	19.50	19.67	19.53	22.52	22.48	22.50		
60	1	161		19.14	19.01	19.08	19.25	19.32	19.31	22.21	22.18	22.21		
60	162	0		18.70	18.67	18.58	18.91	18.81	18.83	21.82	21.75	21.72		
60	1	1	16-QAM	20.88	20.99	20.89	20.80	21.32	21.19	23.85	24.17	24.05	22.87	0.1936
60	1	1	64-QAM	19.29	19.27	19.25	19.43	19.80	19.35	22.37	22.55	22.31		
60	1	1	256-QAM	16.31	16.28	16.30	16.58	16.61	16.52	19.46	19.46	19.42		
Limit	EIRP < 1W			Result									Pass	



Part27Q NR n77 Maximum Average Power [dBm], DG = -1.3 dBi														
BW (MHz)	RB Size	RB Offset	Mod	Antenna 7			Antenna 1			Combine			EIRP (dBm)	EIRP (W)
				Lowest	Middle	Highest	Lowest	Middle	Highest	Lowest	Middle	Highest		
70	1	1	QPSK	21.54	21.17	21.48	21.60	21.59	21.81	24.58	24.40	24.66	23.36	0.2168
70	1	187		21.09	21.11	21.18	21.13	21.22	21.36	24.12	24.18	24.28		
70	95	47		21.12	21.26	21.30	21.36	21.26	21.34	24.25	24.27	24.33		
70	1	0		19.57	19.15	19.39	19.50	19.67	19.71	22.55	22.43	22.56		
70	1	188		18.97	18.99	19.00	19.29	19.20	19.34	22.14	22.11	22.18		
70	189	0		18.76	18.73	18.68	18.81	18.86	18.92	21.80	21.81	21.81		
70	1	1	16-QAM	20.94	20.80	20.73	20.98	21.27	20.86	23.97	24.05	23.81	22.75	0.1884
70	1	1	64-QAM	19.20	18.91	19.34	19.55	19.56	19.42	22.39	22.26	22.39		
70	1	1	256-QAM	16.43	16.57	16.28	16.62	16.79	16.70	19.54	19.69	19.51		
Limit	EIRP < 1W			Result									Pass	

Part27Q NR n77 Maximum Average Power [dBm], DG = -1.3 dBi														
BW (MHz)	RB Size	RB Offset	Mod	Antenna 7			Antenna 1			Combine			EIRP (dBm)	EIRP (W)
				Lowest	Middle	Highest	Lowest	Middle	Highest	Lowest	Middle	Highest		
80	1	1	QPSK	21.52	21.39	21.43	21.59	21.81	21.75	24.57	24.62	24.60	23.32	0.2148
80	1	215		21.11	21.01	21.05	21.25	21.28	21.21	24.19	24.16	24.14		
80	109	54		21.37	21.15	21.18	21.48	21.15	21.32	24.44	24.16	24.26		
80	1	0		19.70	19.46	19.54	19.53	19.68	19.70	22.63	22.58	22.63		
80	1	216		19.20	19.04	19.19	19.22	19.24	19.17	22.22	22.15	22.19		
80	217	0		18.75	18.74	18.78	18.90	18.76	18.88	21.84	21.76	21.84		
80	1	1	16-QAM	21.09	20.94	20.60	21.19	21.20	21.22	24.15	24.08	23.93	22.85	0.1928
80	1	1	64-QAM	19.54	19.28	19.52	19.89	19.40	20.08	22.73	22.35	22.82		
80	1	1	256-QAM	16.50	16.44	16.59	16.45	16.61	16.80	19.49	19.54	19.71		
Limit	EIRP < 1W			Result									Pass	



Part27Q NR n77 Maximum Average Power [dBm], DG = -1.3 dBi														
BW (MHz)	RB Size	RB Offset	Mod	Antenna 7			Antenna 1			Combine			EIRP (dBm)	EIRP (W)
				Lowest	Middle	Highest	Lowest	Middle	Highest	Lowest	Middle	Highest		
90	1	1	QPSK	21.61	21.47	21.53	21.68	21.66	21.72	24.66	24.58	24.64	23.36	0.2168
90	1	243		21.05	21.21	21.24	21.31	21.35	21.21	24.19	24.29	24.24		
90	123	61		21.26	21.13	21.25	21.40	21.25	21.37	24.34	24.20	24.32		
90	1	0		19.70	19.56	19.61	19.53	19.71	19.69	22.63	22.65	22.66		
90	1	244		19.04	19.08	19.20	19.15	19.28	19.21	22.11	22.19	22.22		
90	245	0		18.79	18.73	18.73	18.84	18.73	18.83	21.83	21.74	21.79		
90	1	1	16-QAM	20.85	20.64	20.86	21.36	21.13	21.35	24.12	23.90	24.12	22.82	0.1914
90	1	1	64-QAM	19.76	19.58	19.53	19.67	19.62	19.93	22.73	22.61	22.74		
90	1	1	256-QAM	16.58	16.75	16.42	16.73	16.59	16.72	19.67	19.68	19.58		
Limit	EIRP < 1W			Result									Pass	

Part27Q NR n77 Maximum Average Power [dBm], DG = -1.3 dBi														
BW (MHz)	RB Size	RB Offset	Mod	Antenna 7			Antenna 1			Combine			EIRP (dBm)	EIRP (W)
				Lowest	Middle	Highest	Lowest	Middle	Highest	Lowest	Middle	Highest		
100	1	1	QPSK	-	21.73	-	-	21.70	-	-	24.73	-	23.43	0.2203
100	1	271		-	21.27	-	-	21.20	-	-	24.25	-		
100	137	68		-	21.28	-	-	21.27	-	-	24.29	-		
100	1	0		-	19.87	-	-	19.73	-	-	22.81	-		
100	1	272		-	19.22	-	-	19.32	-	-	22.28	-		
100	273	0		-	18.76	-	-	18.84	-	-	21.81	-		
100	1	1	16-QAM	-	21.40	-	-	21.06	-	-	24.24	-	22.94	0.1968
100	1	1	64-QAM	-	19.63	-	-	19.95	-	-	22.80	-		
100	1	1	256-QAM	-	16.78	-	-	16.63	-	-	19.72	-		
Limit	EIRP < 1W			Result									Pass	





Part27Q NR n78 Maximum Average Power [dBm], DG = -1.3 dBi														
BW (MHz)	RB Size	RB Offset	Mod	Antenna 7			Antenna 1			Combine			EIRP (dBm)	EIRP (W)
				Lowest	Middle	Highest	Lowest	Middle	Highest	Lowest	Middle	Highest		
10	1	1	QPSK	21.03	20.93	20.86	21.38	21.30	21.36	24.22	24.13	24.13	22.92	0.1959
10	1	22		20.97	20.93	20.93	21.39	21.22	21.38	24.20	24.09	24.17		
10	12	6		21.00	20.94	20.93	21.41	21.25	21.26	24.22	24.11	24.11		
10	1	0		19.05	19.03	18.98	19.40	19.32	19.30	22.24	22.19	22.15		
10	1	23		18.94	18.95	18.91	19.39	19.20	19.36	22.18	22.09	22.15		
10	24	0		18.48	18.43	18.40	18.91	18.73	18.84	21.71	21.59	21.64		
10	1	1	16-QAM	20.51	20.36	20.31	20.91	20.68	20.96	23.72	23.53	23.66	22.42	0.1746
10	1	1	64-QAM	19.01	18.95	18.81	19.48	19.39	19.46	22.26	22.19	22.16		
10	1	1	256-QAM	15.96	15.91	15.73	16.48	16.27	16.28	19.24	19.10	19.02		
Limit	EIRP < 1W			Result									Pass	

Part27Q NR n78 Maximum Average Power [dBm], DG = -1.3 dBi														
BW (MHz)	RB Size	RB Offset	Mod	Antenna 7			Antenna 1			Combine			EIRP (dBm)	EIRP (W)
				Lowest	Middle	Highest	Lowest	Middle	Highest	Lowest	Middle	Highest		
15	1	1	QPSK	21.10	21.02	20.92	21.43	21.41	21.38	24.28	24.23	24.17	22.98	0.1986
15	1	36		20.92	20.93	20.96	21.59	21.34	21.34	24.28	24.15	24.16		
15	19	9		20.98	20.93	20.90	21.41	21.23	21.31	24.21	24.09	24.12		
15	1	0		19.11	18.99	18.98	19.43	19.44	19.37	22.28	22.23	22.19		
15	1	37		18.91	18.99	18.98	19.52	19.33	19.33	22.24	22.17	22.17		
15	38	0		18.44	18.43	18.39	18.93	18.71	18.82	21.70	21.58	21.62		
15	1	1	16-QAM	20.40	20.38	20.39	21.11	20.83	20.94	23.78	23.62	23.68	22.48	0.1770
15	1	1	64-QAM	18.89	18.97	18.95	19.30	19.24	19.40	22.11	22.12	22.19		
15	1	1	256-QAM	16.08	15.89	15.72	16.59	16.41	16.41	19.35	19.17	19.09		
Limit	EIRP < 1W			Result									Pass	