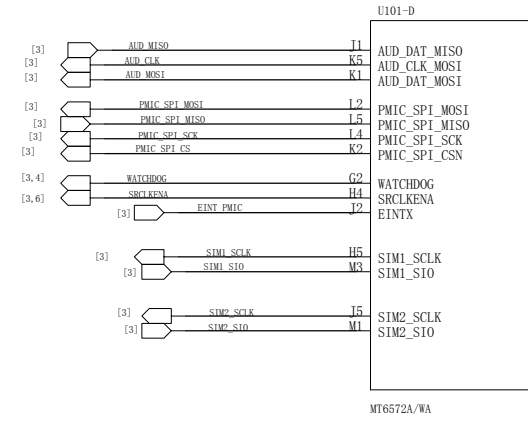
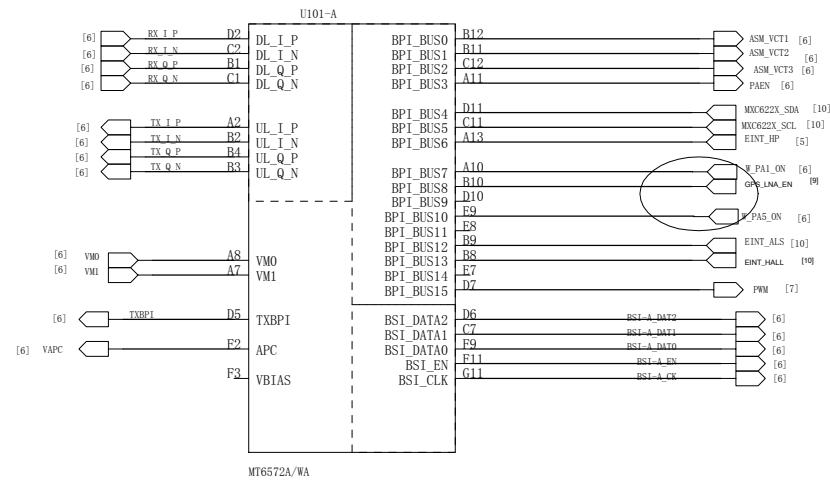
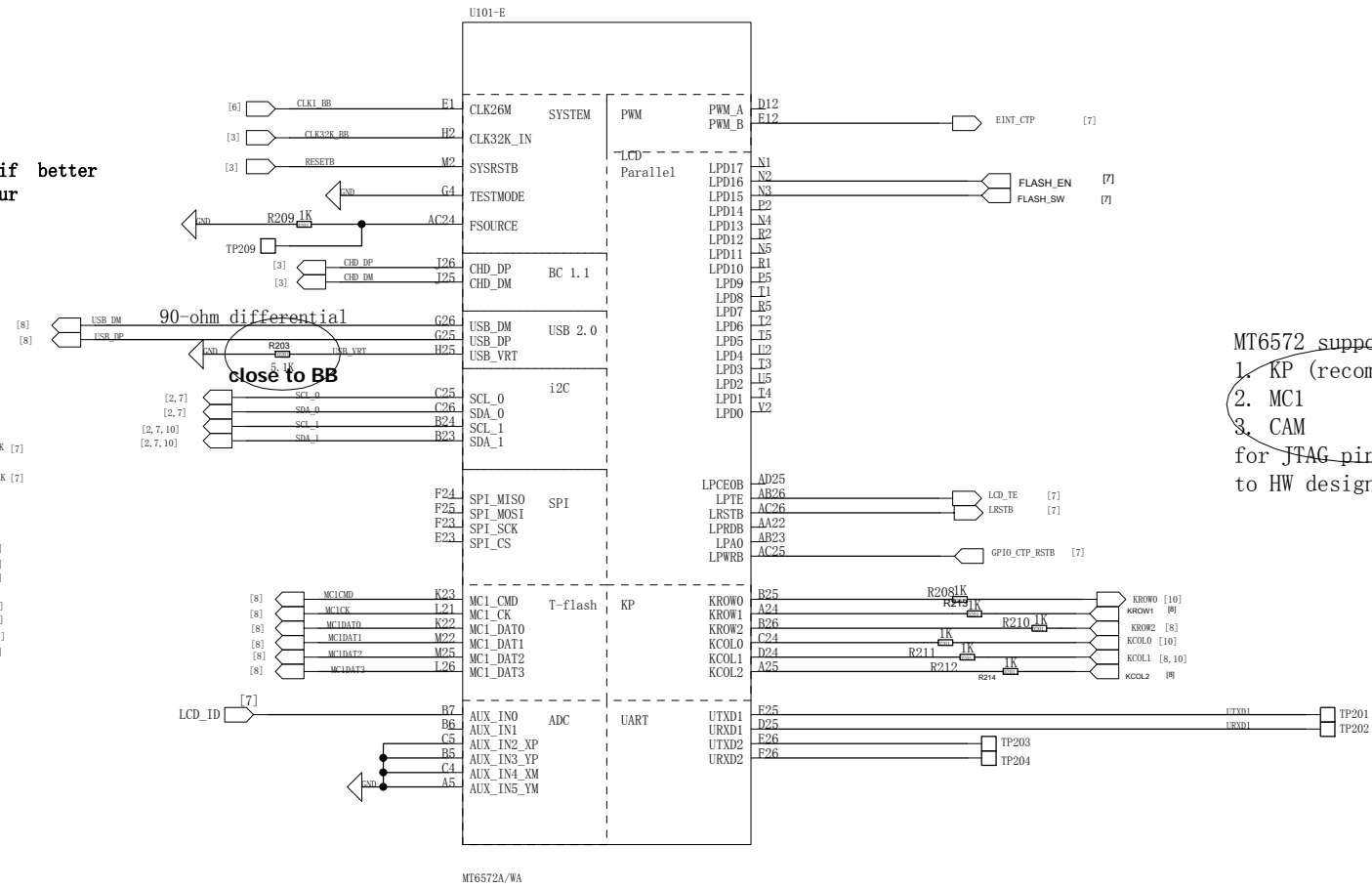
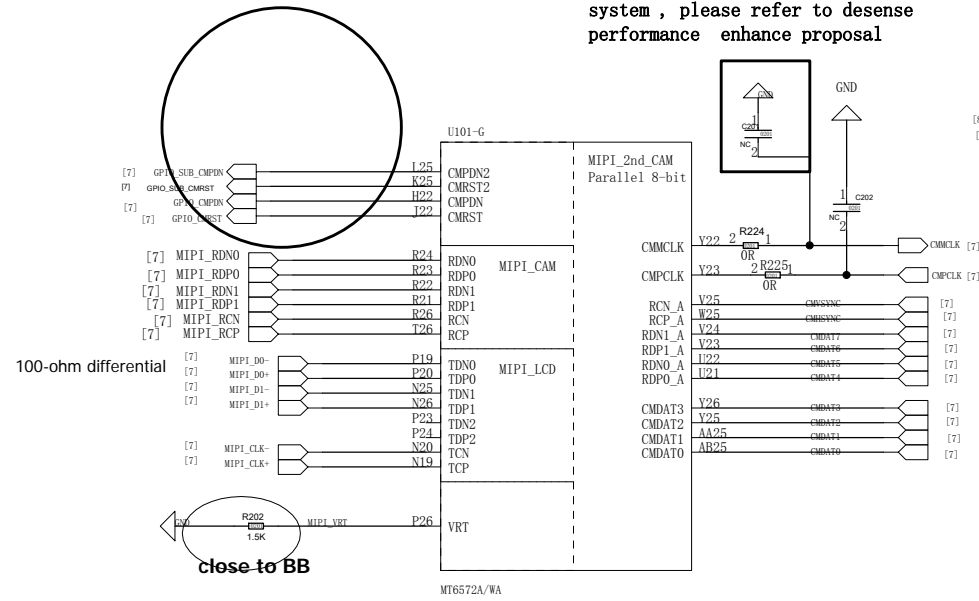


单独下地



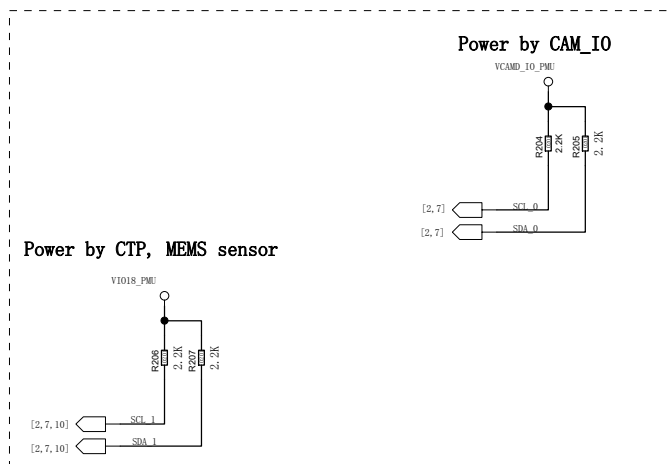
Based on your system level design , if better desense performance is needed on your system , please refer to desense performance enhance proposal

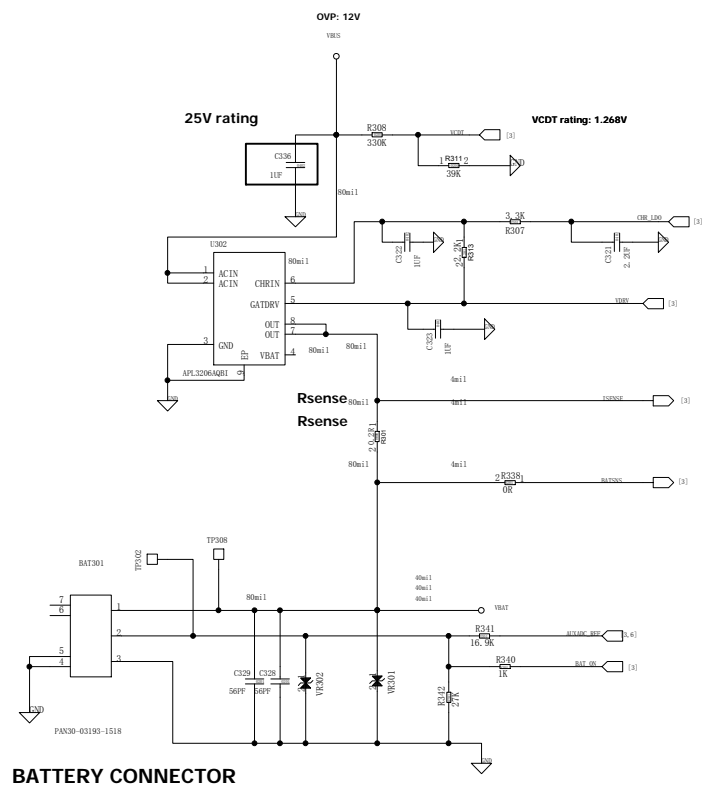


MT6572 support JTAG from below :

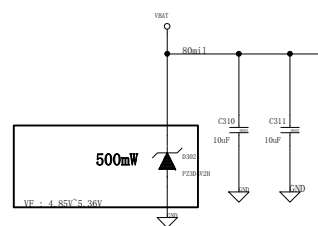
1. KP (recommand)
2. MC1
3. CAM

for JTAG pin out from MC1/CAM, refer to HW design notice



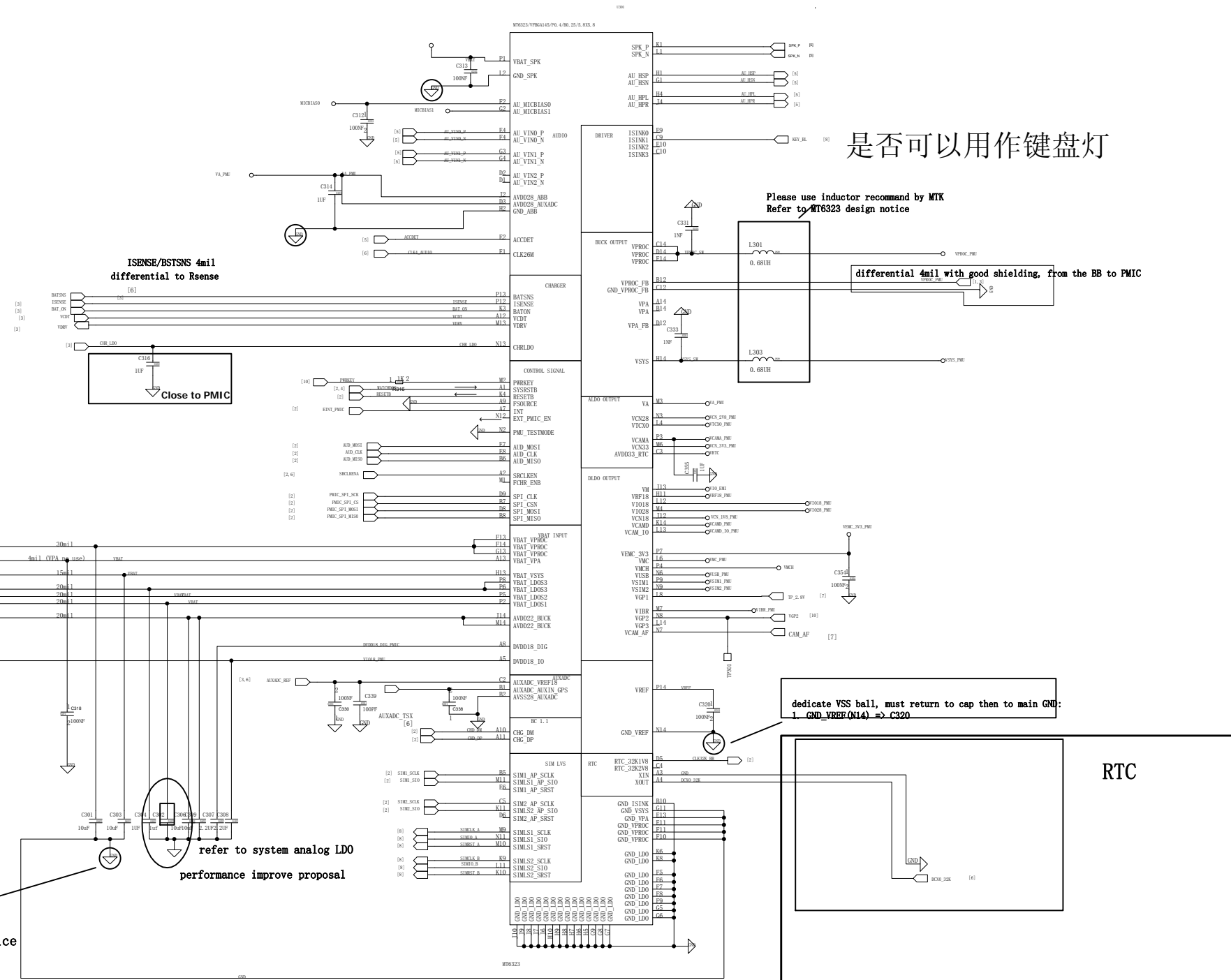
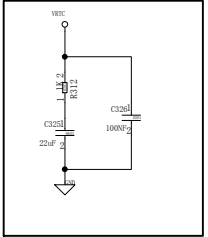


BATTERY CONNECTOR



Based on your system level design, if better EOS performance is needed on your system, please refer to EOS performance enhance proposal

Refer to MT6323 design notice for Buck GND layout rule



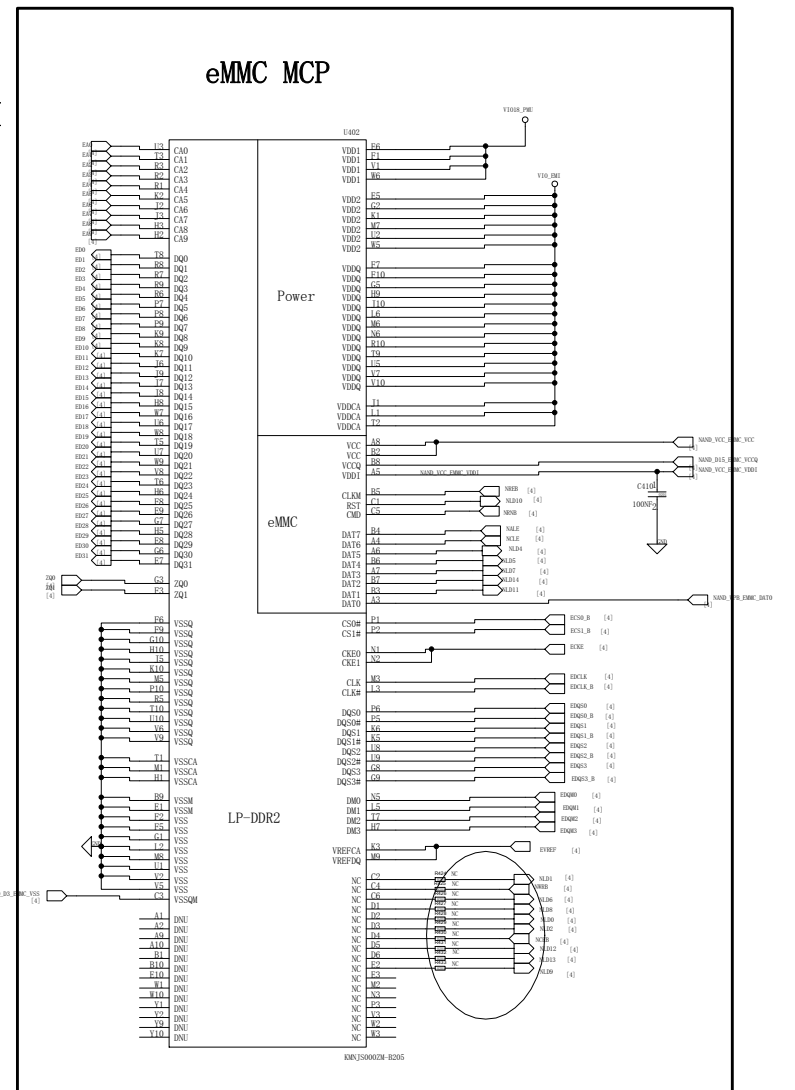
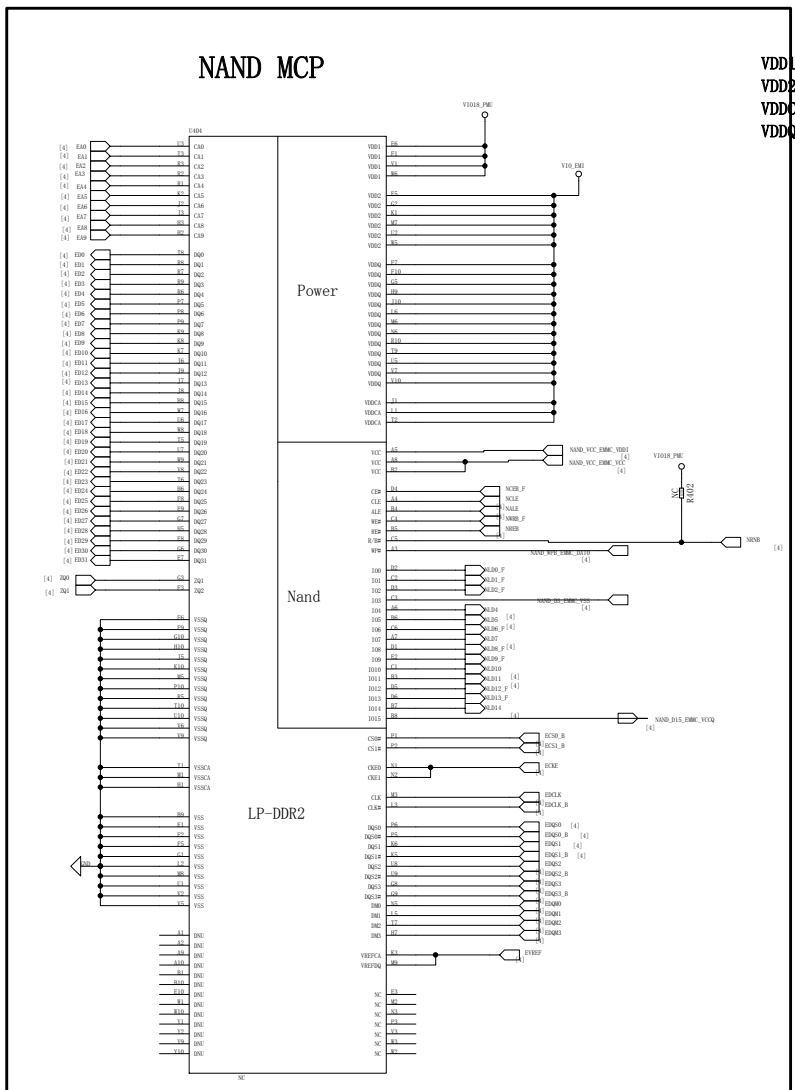
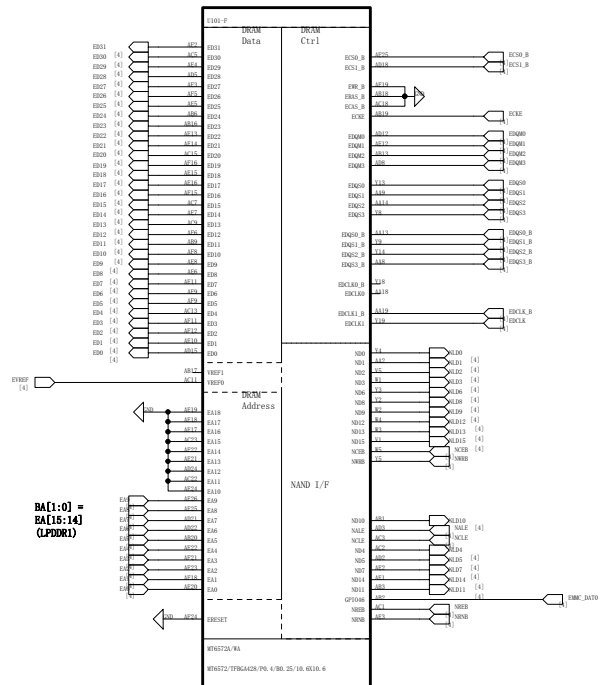
是否可以用作键盘灯

differential 4mil with good shielding, from the BB to PMIC

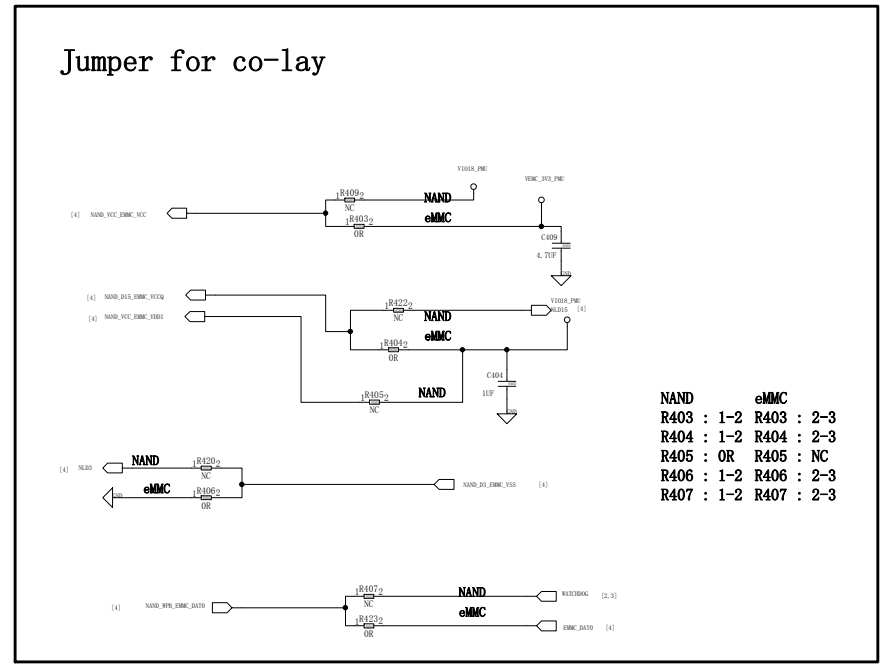
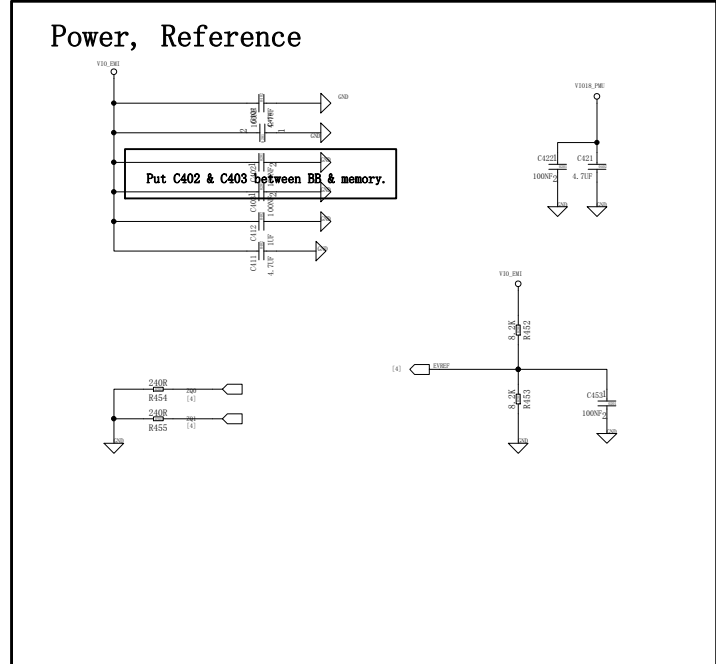
dedicate VSS ball, must return to cap then to main GND: 1\_GND\_VREF(N14) => C320

RTC

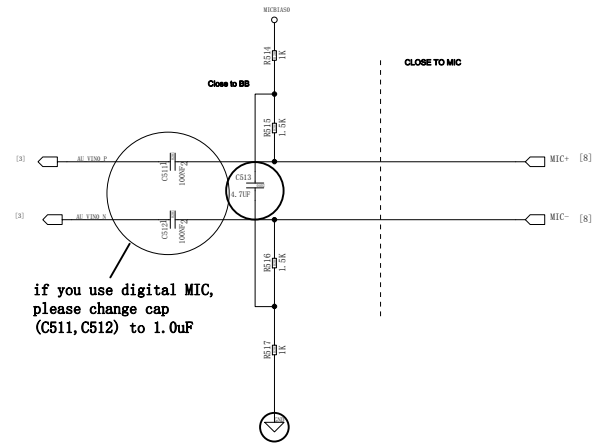
=> for longer RTC time sustain after battery remove, please refer to RTC design notice



Please make sure the ball map is match to the MCP type you selected

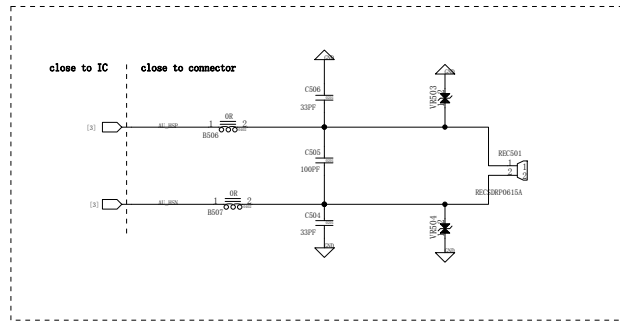


### Handset Microphone 1



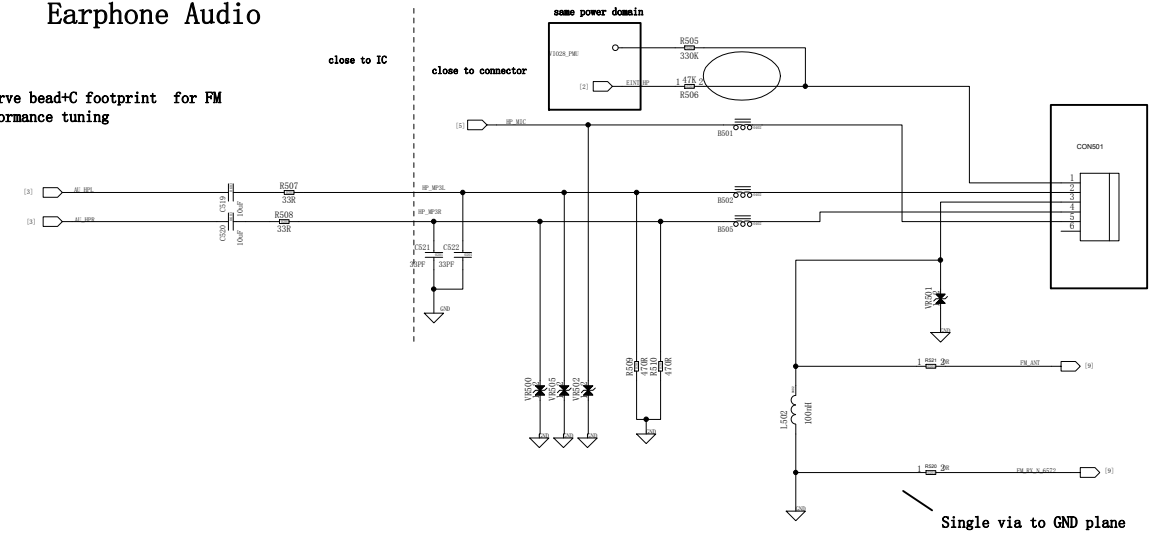
together then single via to main GND

### Receiver

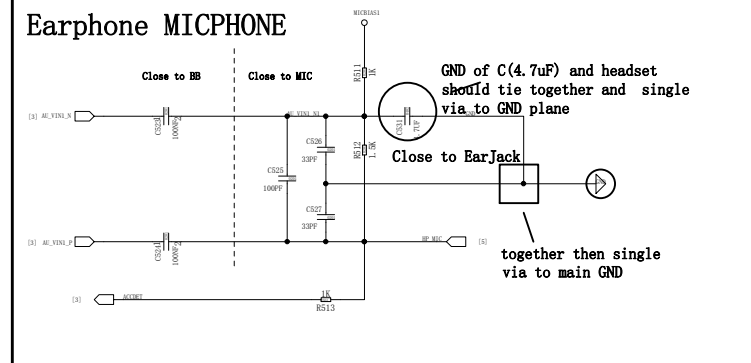
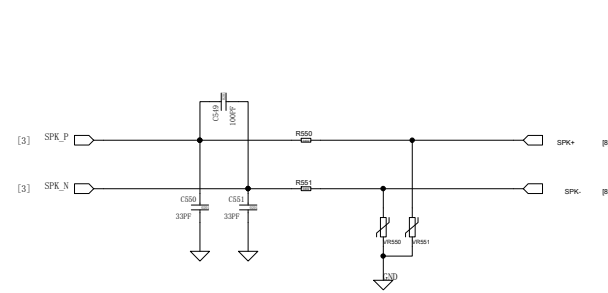


### Earphone Audio

Reserve bead+C footprint for FM performance tuning

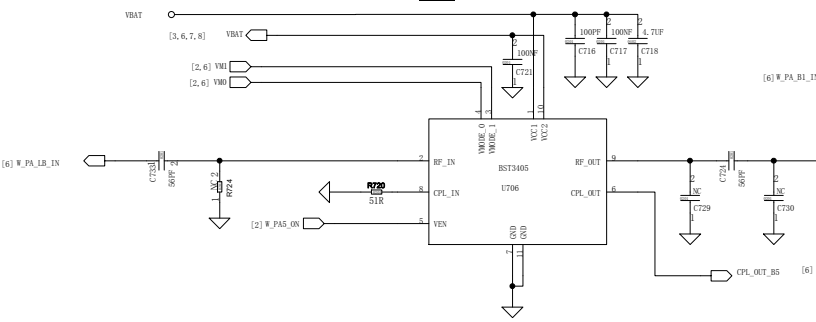


### Earphone MICPHONE



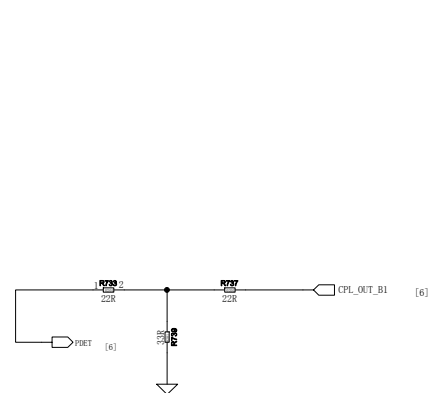

	Enable	VctC	VctB	VctA
LB_GMSK_TX	H	L	H	L
HB_GMSK_TX	H	L	H	H
LB_EDGE_TX	H	L	L	L
HB_EDGE_TX	H	L	L	H
RX1	L	H	L	L
RX2	L	L	H	L
RX3	L	L	H	H
RX4	L	L	L	H

## WCDMA\_850



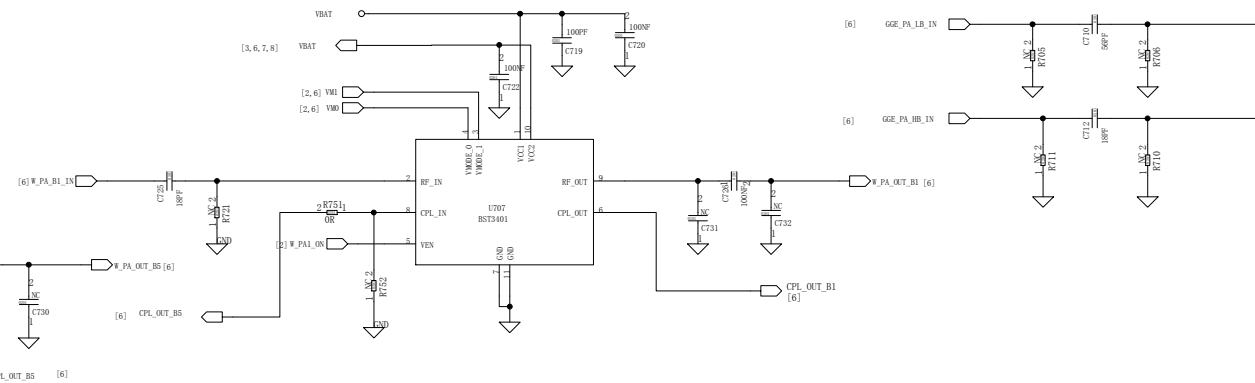
## WCDMA\_1900

1117 Update  
1. VBAT in RF change to VBAT\_RF, add 0805 0ohm



MODE	Logic		
	DCXO	XMODE	VXODIG
	32K_EN		
DCXO + 32K X0	0 (GND)	1 (V1018)	1 (V1018)
DCXO + 32K-Less	1 (V1X028)	1 (V1X028)	1 (V1X028)

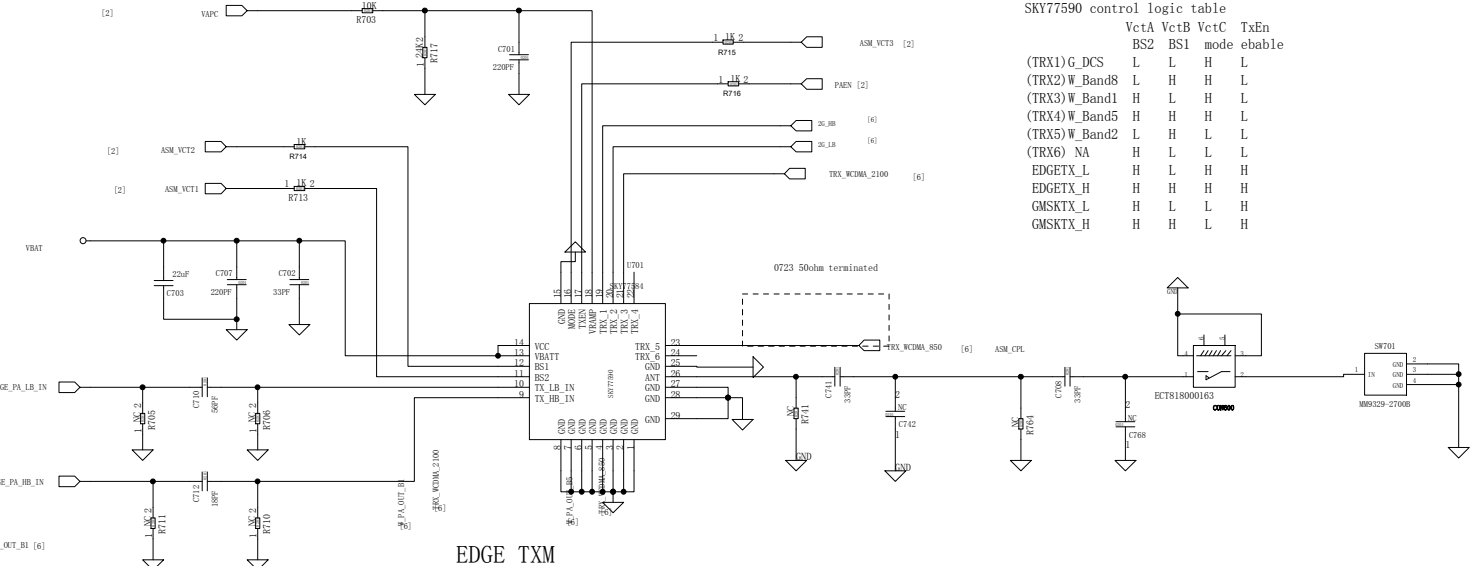
## WCDMA\_2100



## GSM\_PA

BPI0-4 and 10-11 are 2G+3G mode both  
BPI5-9 and 12-14 are 3G mode only

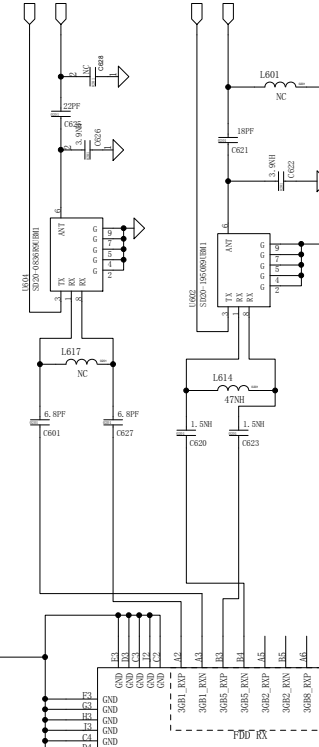
1109 Update Lists  
R703 change to 1.1K, C701 change to 1nF  
for RC filter



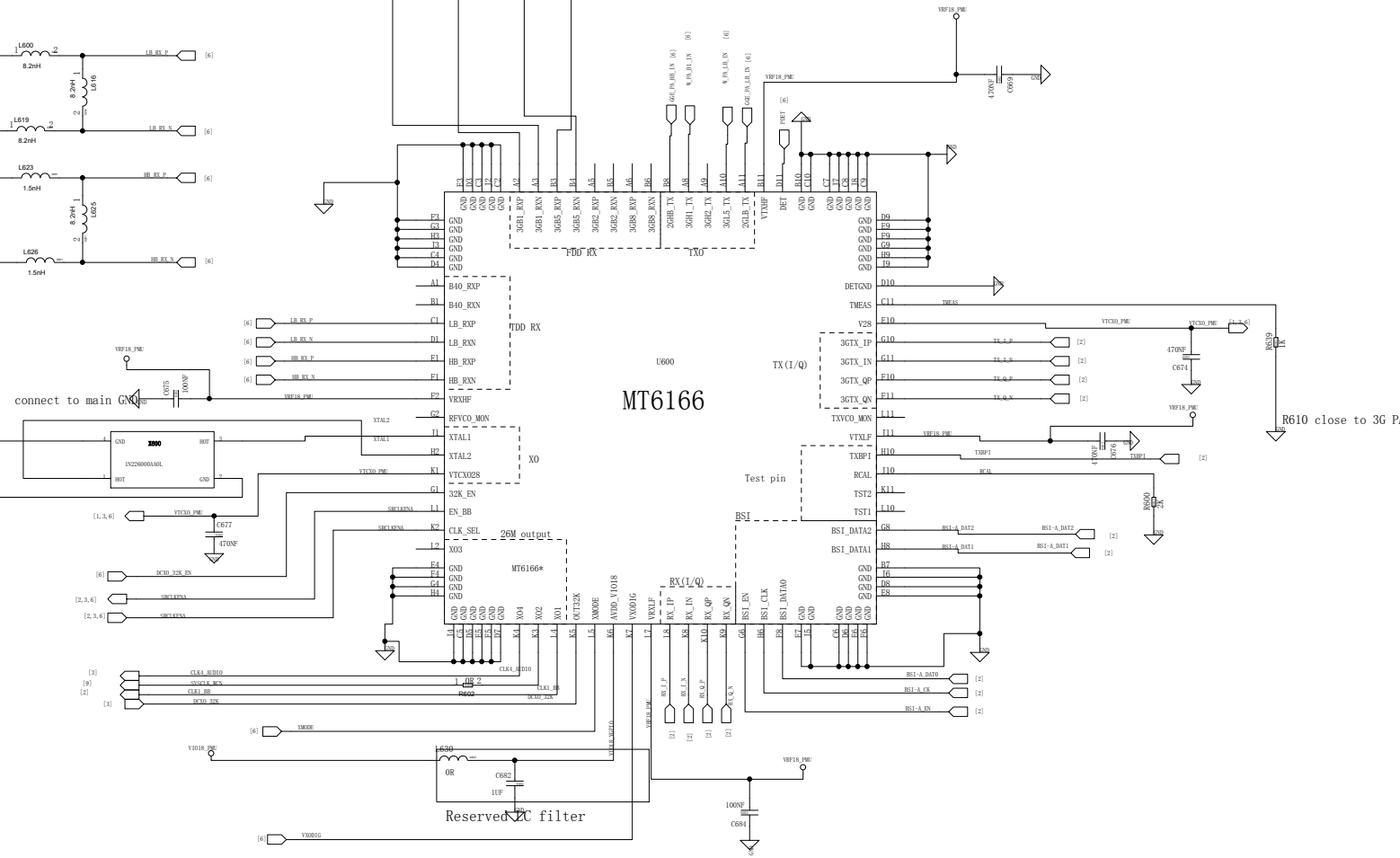
SKY77590 control logic table

	VctA	VctB	VctC	TxEn
	BS2	BS1	mode	enable
(TRX1)G_DCS	L	L	H	L
(TRX2)W_Band8	L	H	H	L
(TRX3)W_Band1	H	L	H	L
(TRX4)W_Band5	H	H	L	L
(TRX5)W_Band2	L	H	L	L
(TRX6)NA	H	L	L	L
EDGE_TX_L	H	L	H	H
EDGE_TX_H	H	H	H	H
GMSK_TX_L	H	L	L	H
GMSK_TX_H	H	H	L	H

## EDGE TXM



## MT6166



connect to main GND

Route AUXADC\_REF with 4mil trace width

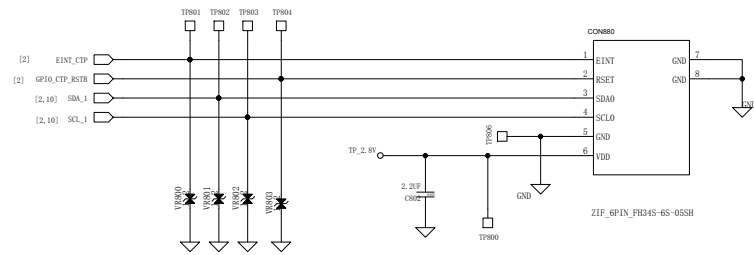
Route AUXADC\_TSX with 4mil trace width

Route AUXADC\_GND with 24mil trace width under AUXADC\_REF/AUXADC\_TSX trace

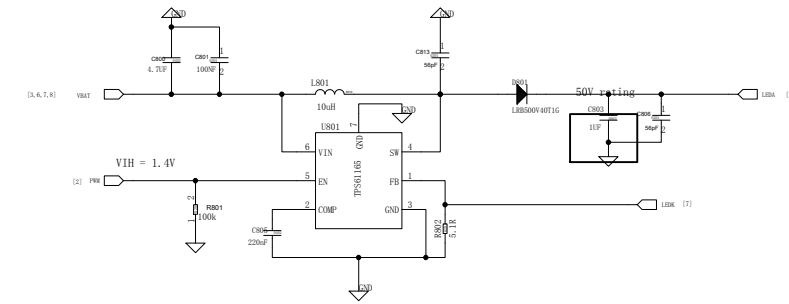
Reserved RC filter

R610 close to 3G PA

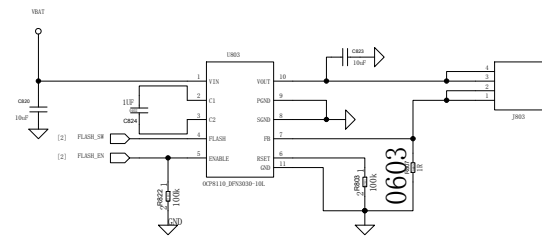
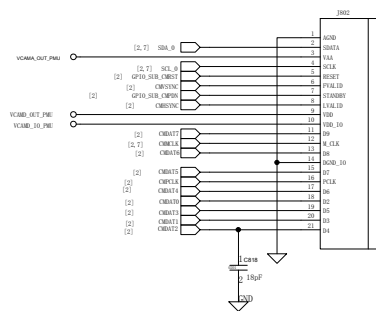
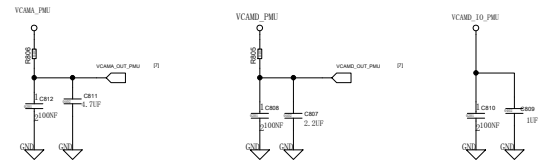
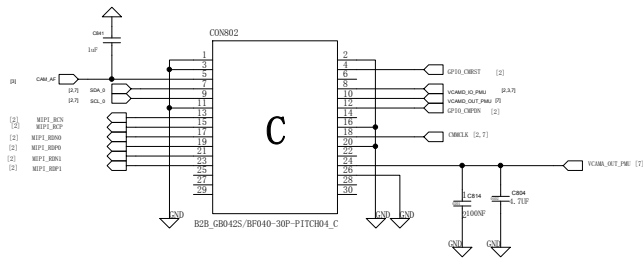
# Capacitive Touch Panel



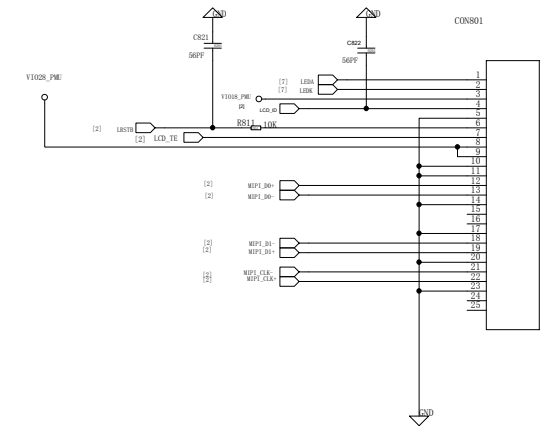
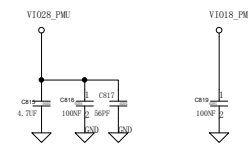
# BACKLIGHT DRIVER

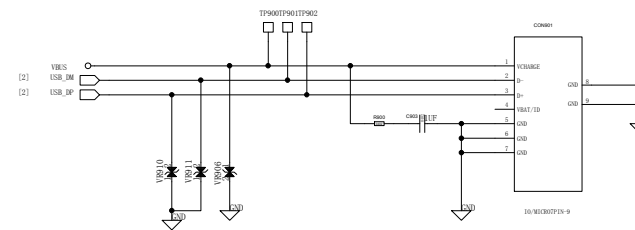
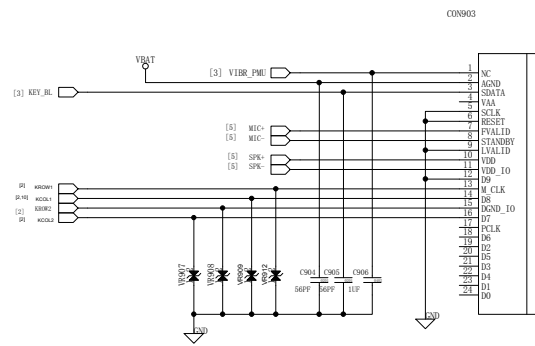
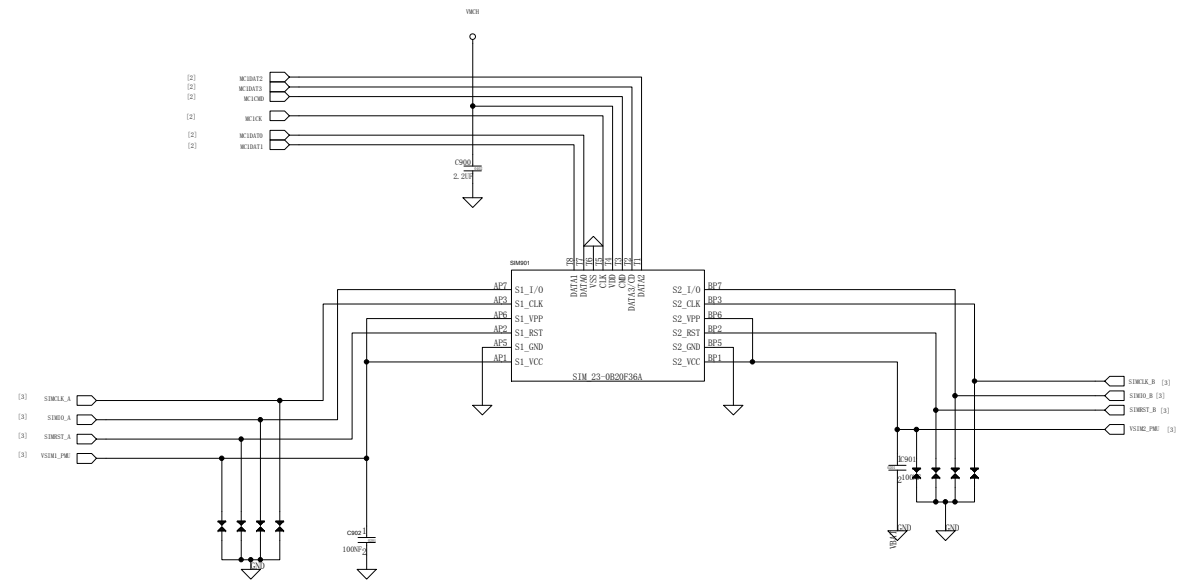


# Main Camera

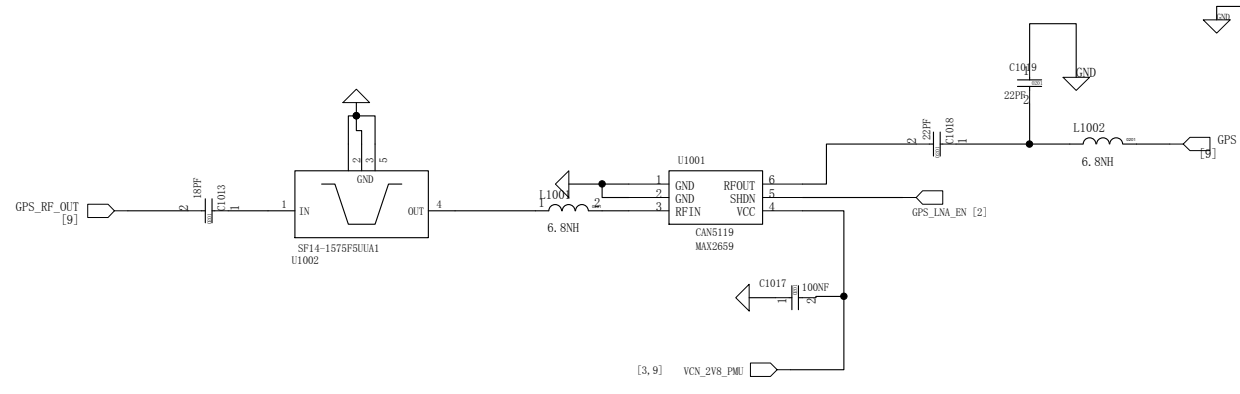
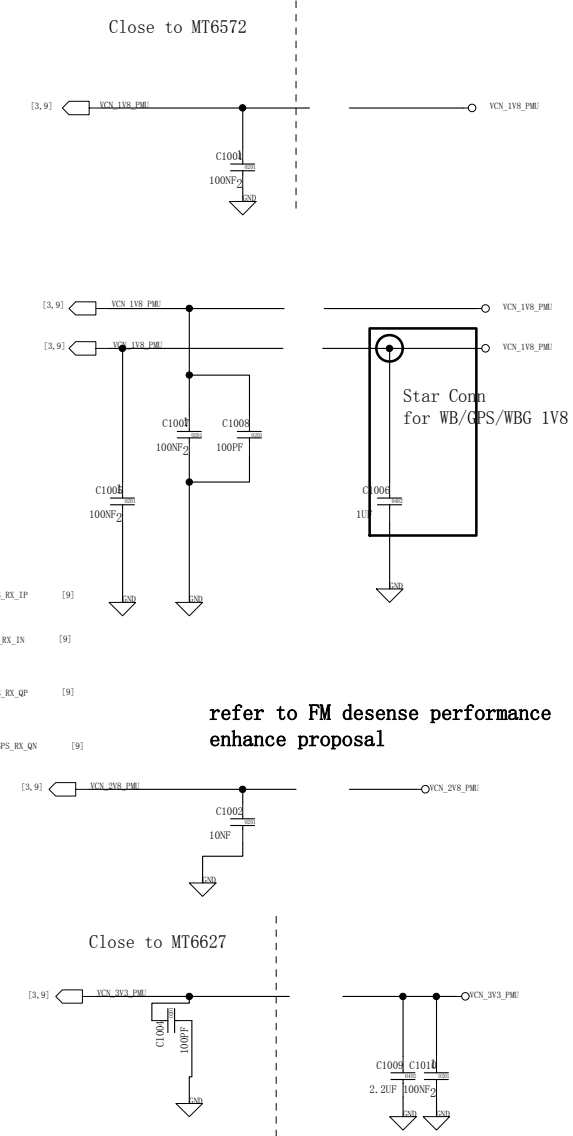
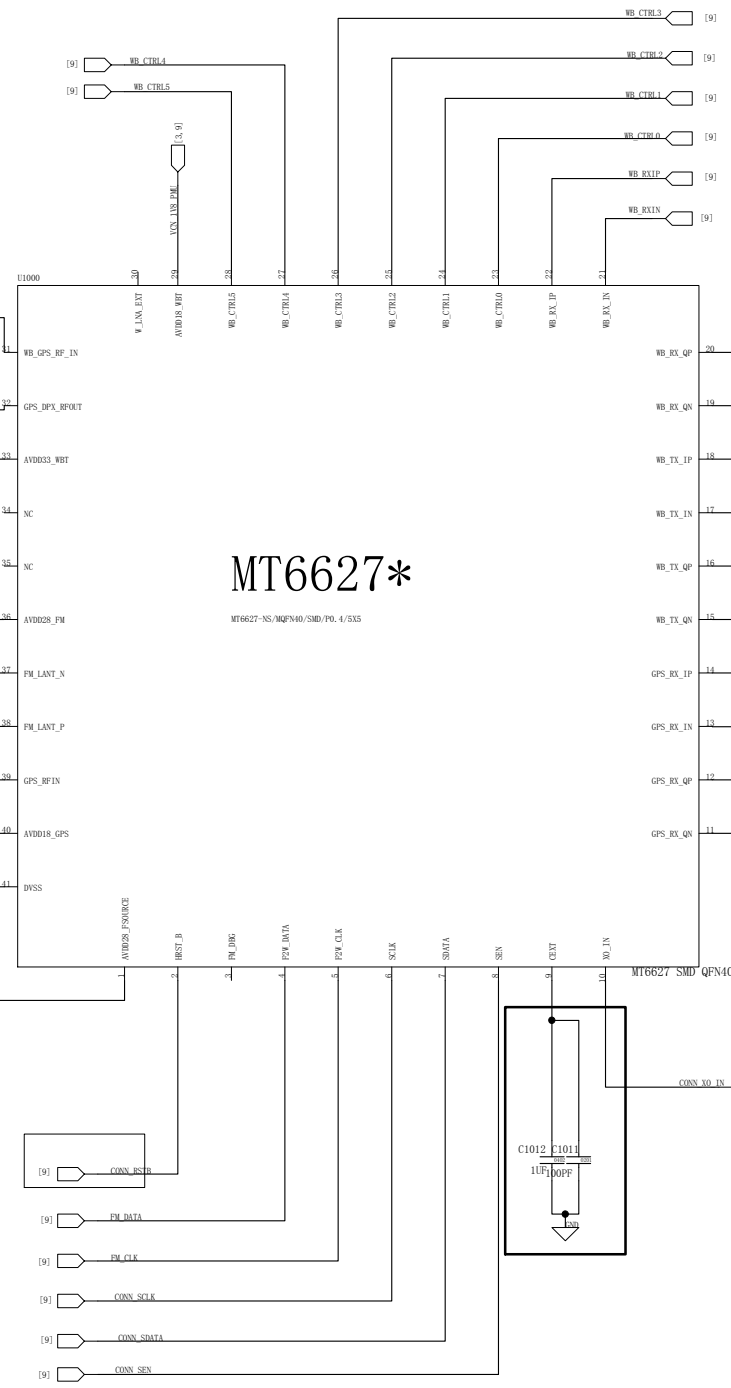
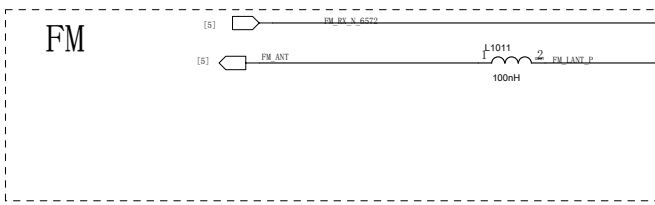
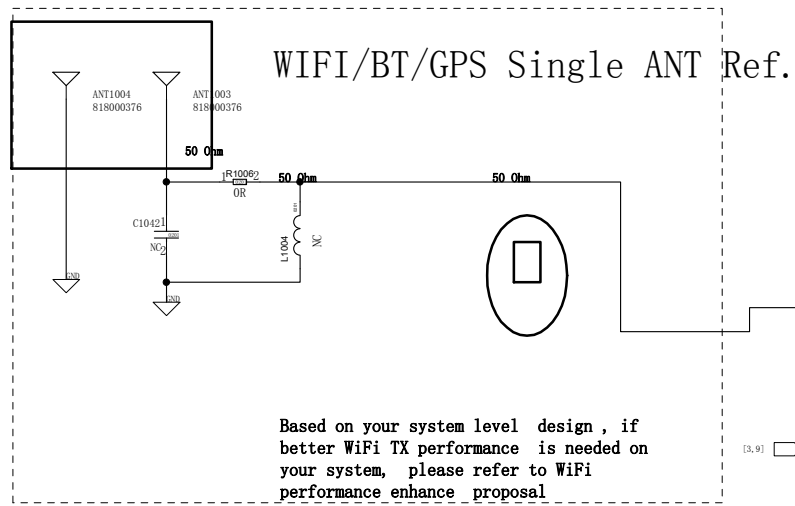
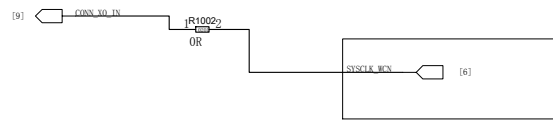
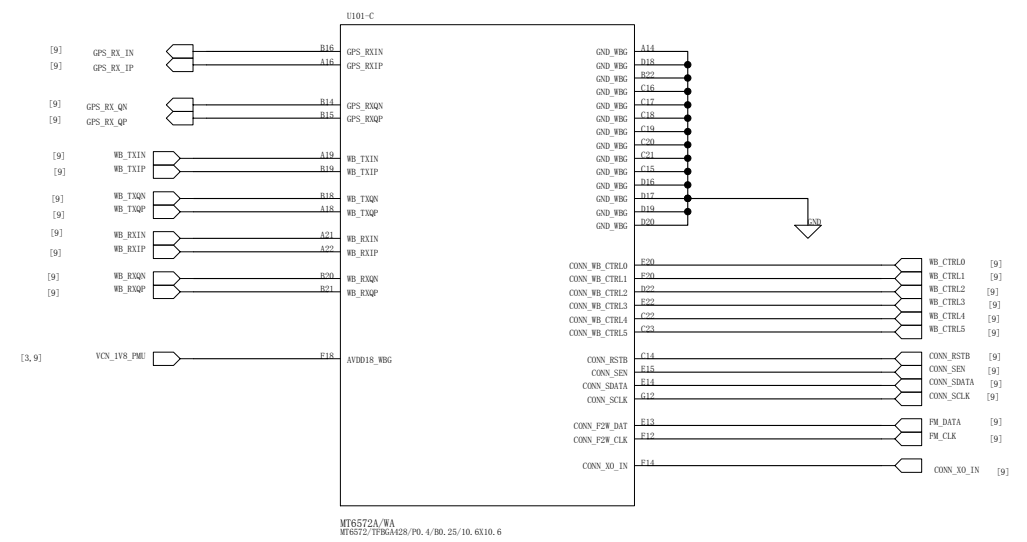


# 4.5QHD LCM Connector 810



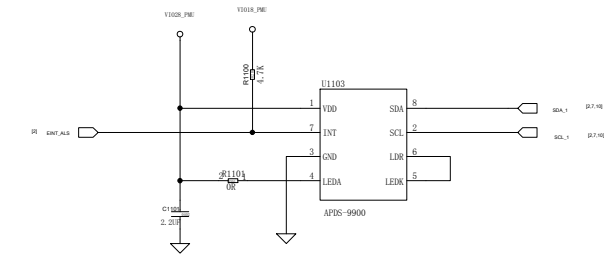
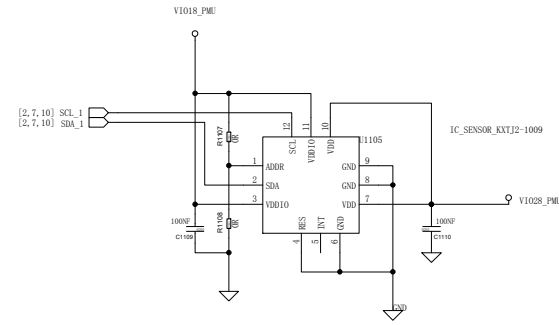




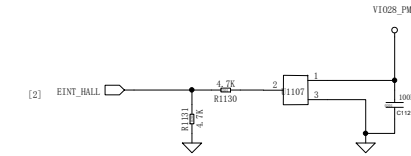
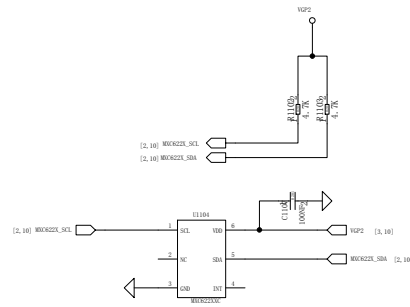



Title		
Wireless Connectivity		
Size	Document Number	Rev
A1	MT6572 REF PHONE	V1.0
Date:	Wednesday, January 02, 2013	Sheet 9 of 10

# G Sensor

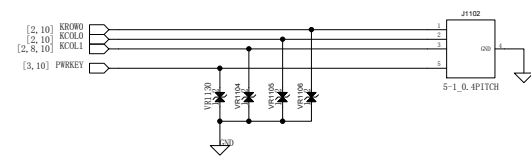


# G Sensor U1004



# Power Key

DO NOT put pull-up resistor on PWRKEY



# VOL\_UP

# VOL\_DWON

