

深圳市泓德致新科技有限公司

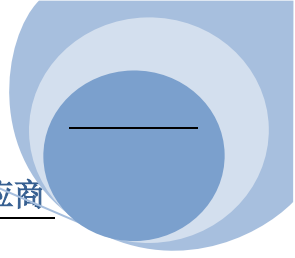
Manufacturer: Shenzhen Hongdezhixin Technology Co., LTD

Address: Building B, Qinghu Science Park, Longhua New District, Shenzhen City,
Room 503-504

1. Technical indicators and experimental equipment

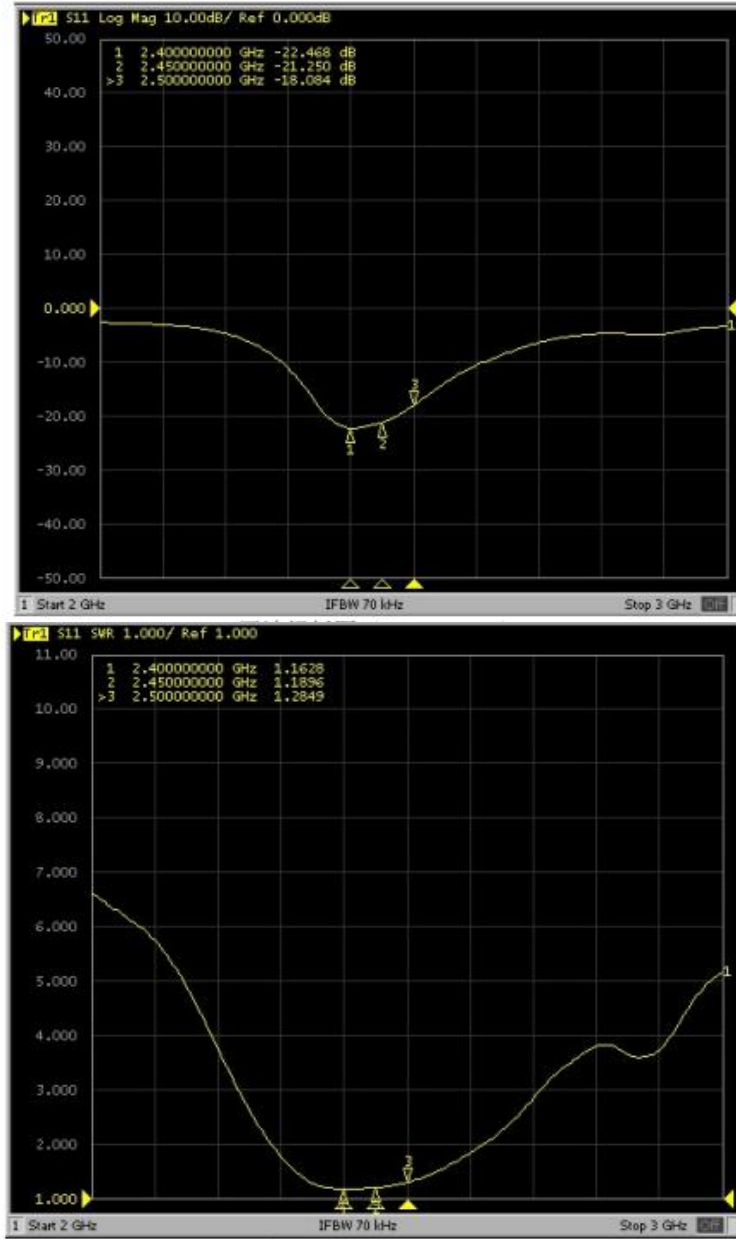
1. 技术指标与实验设备

产品电气性能指标 Product electrical performance indicators	
Operating frequency range 工作频率范围	2400 ~ 2480MHz
Standing Wave Ratio 驻波比	2400~ 2480MHz: < 1.5
天线增益 Antenna Gain	2400 ~ 2480MHz: 2.6dBi
辐射效率 Radiation Efficiency	2496 ~ 2690MHz: >60 %
阻抗 Impedance	50 ohm
产品材料说明	
FPC	电解铜+PI
产品环境说明	
工作温度 Operating Temperature	- 30°C ~ + 85 °C
储藏温度 Storage Temperature	- 30°C ~ + 85 °C



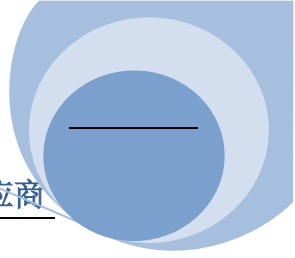
Antenna passive data

五、天线无源数据（波形图）



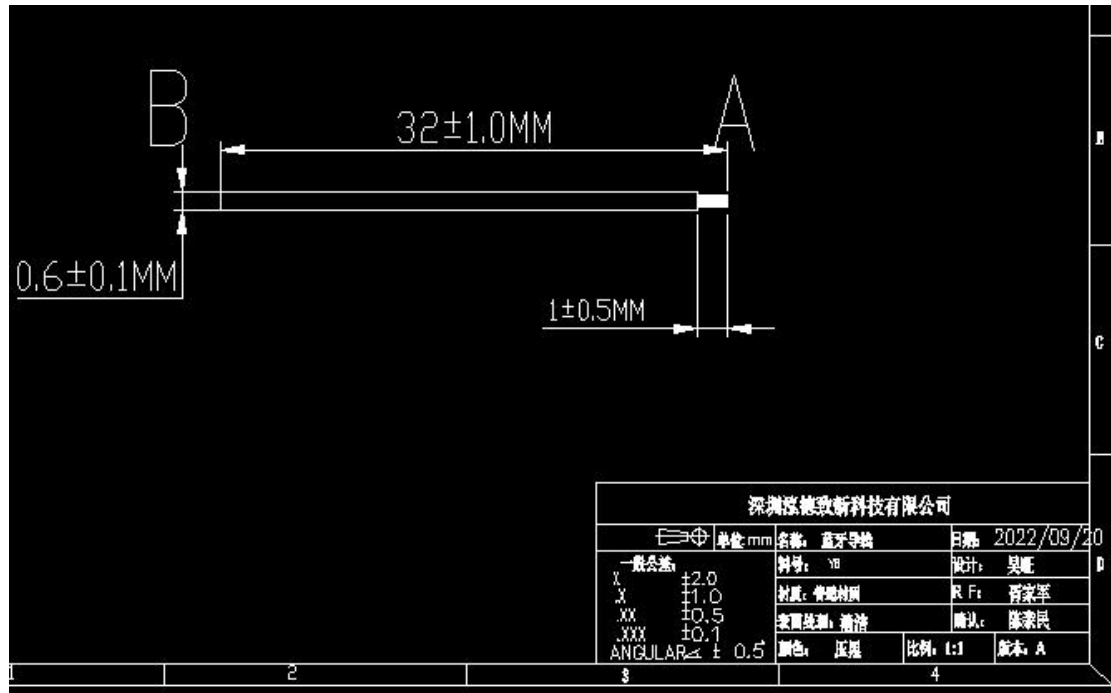
电压驻波比 (VSWR)

天线尺寸图

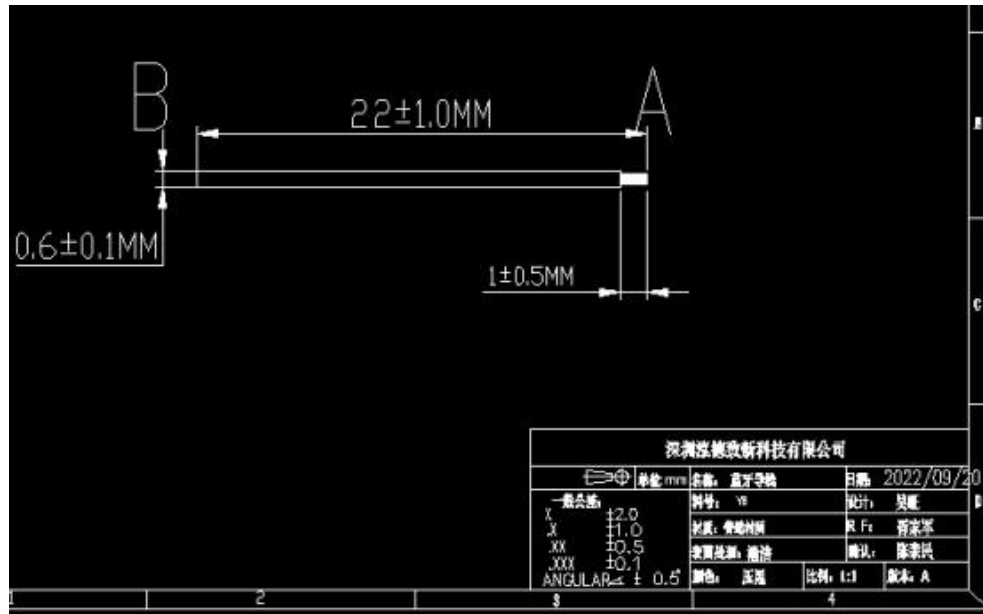


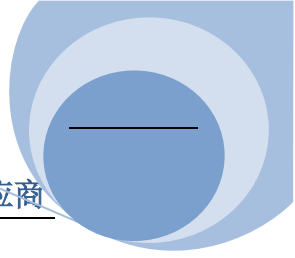
Antenna Dimensions

WIFI

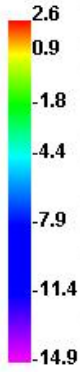
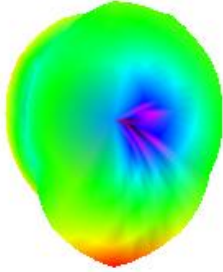


BT

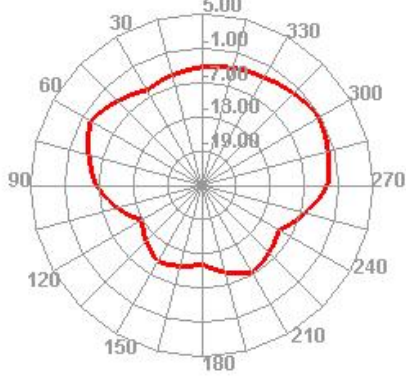




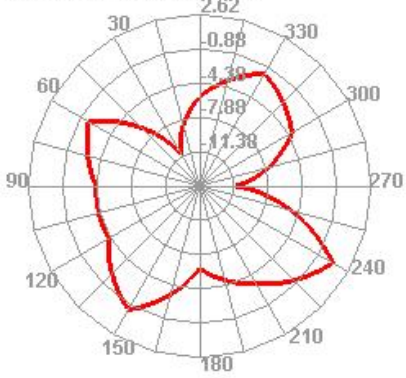
2400.000MHz



2400.000MHz H



2400.000MHz E1



2400.000MHz E2

