

Zepcam
USER'S QUICK GUIDE

I. Warning

II. Product introduction

III. Operation

IV. Indicator

V. Customer service

I. Warning

- Please keep the device from high temperature.
- When smoke, smell or noise comes out from the device, shut down the power immediately, and contact your supplier in time.
- Please contact your supplier if the device is not working properly. No warranty will be covered if the damage caused by unauthorized disassembly or repair.
- Please do NOT charge the device at high temperature over 45 degrees Celsius, it could possibly cause the explosion of the battery. Please use the certificated battery from the original factory ONLY.
- Please read this manual carefully before using the device, and follow the instructions when using the device.
- Please do NOT kick or hit the product to avoid device damage and data missing.
- Keep the device away from high temperature and high humidity environment.
- Keep the device away strong interference source.
- Please backup the data recorded by the device in time.
- Please keep the lens clean for good image quality.
- Please keep your user name and password safe.

Warning

Changes or modifications to this unit not expressly approved by the party responsible for compliance could void the user's authority to operate the equipment.

This device complies with Part 15 of the FCC Rules. Operation is subject to the following two conditions: (1) this device may not cause harmful interference, and (2) this device must accept any interference received, including interference that may cause undesired operation.

NOTE: This equipment has been tested and found to comply with the limits for a Class B digital device, pursuant to Part 15 of the FCC Rules. These limits are designed to provide reasonable protection against harmful interference in a residential installation. This equipment generates, uses and can radiate radio frequency energy and, if not installed and used in accordance with the instructions, may cause harmful interference to radio communications.

However, there is no guarantee that interference will not occur in a particular installation. If this equipment does cause harmful interference to radio or television reception, which can be determined by turning the equipment off and on, the user is encouraged to try to correct the interference by one or more of the following measures:

- Reorient or relocate the receiving antenna.
- Increase the separation between the equipment and receiver.
- Connect the equipment into an outlet on a circuit different from that to which the receiver is connected.
- Consult the dealer or an experienced radio/TV technician for help.

Specific Absorption Rate (SAR) information

The SAR limit of USA (FCC) and Canada (IC) is 1.6 W/kg averaged over one gram of tissue. This model (FCC ID: 2BOX9-T3BC03A, IC: 33880-T3BC03A) has also been tested against this SAR limited. The highest SAR value reported under this standard during product certification for use at the body is 1.504 W/kg.

The device for operation in the band 5150–5250 MHz is only for indoor use to reduce the potential for harmful interference to co-channel mobile satellite systems.

For Canada

This device contains licence-exempt transmitter(s)/receiver(s) that comply with Innovation, Science and Economic Development Canada's licence-exempt RSS(s). Operation is subject to the following two conditions:

1. This device may not cause interference.
2. This device must accept any interference, including interference that may cause undesired operation of the device.

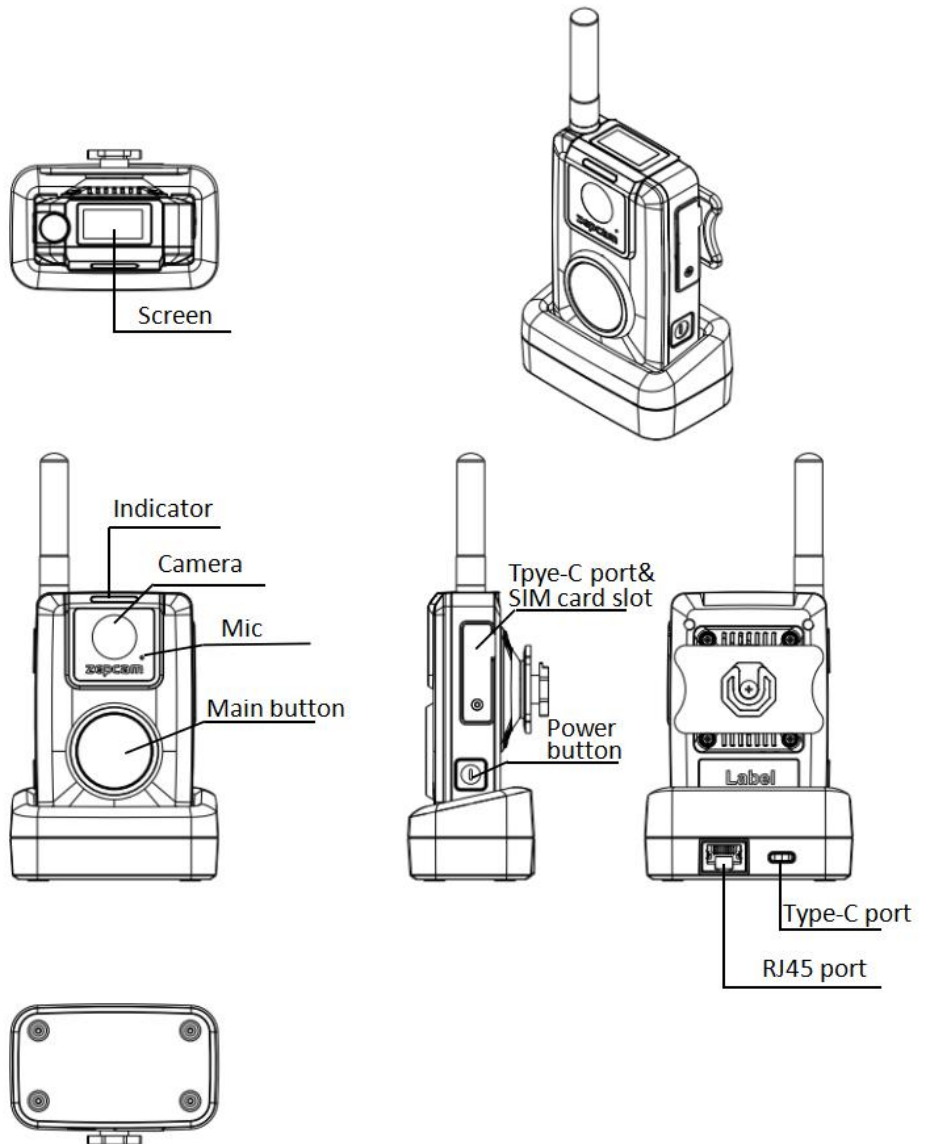
L'émetteur/récepteur exempt de licence contenu dans le présent appareil est conforme aux CNR d'Innovation, Sciences et Développement économique Canada applicables aux appareils radio exempts de licence. L'exploitation est autorisée aux deux conditions suivantes:

1. L'appareil ne doit pas produire de brouillage;
2. L'appareil doit accepter tout brouillage radioélectrique subi, même si le brouillage est susceptible d'en compromettre le fonctionnement.

This radio transmitter [IC: 33880-T3BC03A] has been approved by Innovation, Science and Economic Development Canada to operate with the antenna types listed below, with the maximum permissible gain indicated. Antenna types not included in this list that have a gain greater than the maximum gain indicated for any type listed are strictly prohibited for use with this device.

Manufacture	Model	Max Gain
ShenZhen Takchang Technology Co., Ltd	3643-T3-LTE	1.51dBi

II. Product introduction



III. Operation

Buttom	Action	Function
Power button	1x long Press(2s)	When device is OFF, 1x long press to turn on device.
	1x very long Press(4s)	When device is ON, 1x very long press to turn off device
Main button	1x Short Press	Start Recording / Start Streaming when device is on
		Place tag when device is recording
	1x Long Press	Stop Recording / Stop Streaming when device is recording
Stream mode button	1x Short Press	stream mode on
		Start streaming when device is recording
	1x Long press	stream mode off
Multifunctional button	1x Long press	WPS active
SIM	Insert / Eject	Insert a SIM card into the slot and use 4G service to connect internet
USB	Connect	For charging, data transmission etc.

IV. Indicator

	Colour	LED status	Description
LED Indicator	Green	Flashing	Charging
		Solid	Camera ON / Standby / fully charged
	Red	Solid	Recording / Streaming
		1x short flash	Tag placed, notification
	Green/Red	Green / Red Flash	Error

V. Customer service

User Notice

A. Warranty

1. This product is warranted for one year;
2. Warranty are not covered in any case of unauthorized modification, repair or damage (such as water, moisture, drop, improper use, etc.)
3. In order to extend the life of the battery, it is recommended to charge once every three months when devices are not used for a long time.

B. Technical support service

If you have any operation or technology problems when you are using product, you can refer to the user manual to find solutions. If that still can't help, try the ways below to find help:

1. Contact your supplier for technical support
2. Regardless of the method of seeking technical services, please be sure to provide the model number, device ID and detailed malfunction of the failed unit, so that our engineers can be more quickly and accurately to help or repair.

C. Precautions before maintenance

1. Do simple troubleshooting before you send device back, if that still can't help you solve problems, please confirm the basic information of the product and contact the supplier for repair.
2. If the product is out of warranty, make a preliminary quotation for the product repair, and we will provide repair service after receiving your consent.

Note: The service mentioned in this warranty is a standard service. If you have an extra agreement with the company on the service at the time of purchase, the extra service agreement signed will prevail.

Warranty card

User Profile

___D___M___Y (Date)

Name		Company	
Telephone No.		Address	
Dev. Model		Device ID	
Data of sale		Sales Department	
Repair Date	Repair Record	Repair Department	