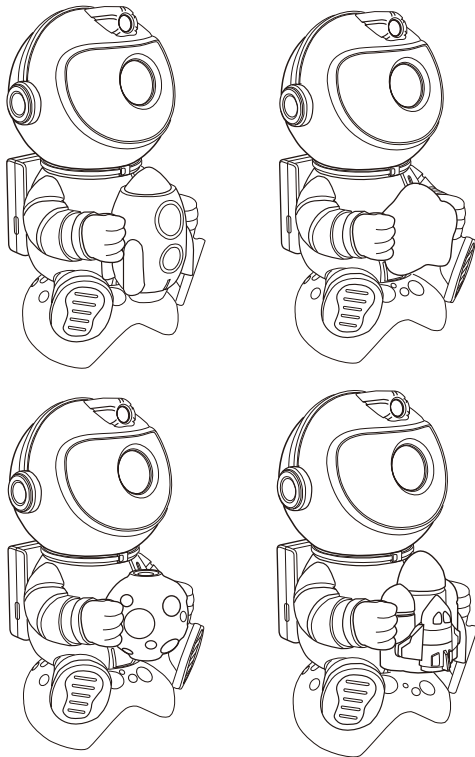


User's Manual



FCC Requirement

Any changes or modifications not expressly approved by the party responsible for compliance could void the user's authority to operate the equipment.

This device complies with Part 15 of the FCC Rules. Operation is subject to the following two conditions:

- (1) this device may not cause harmful interference, and
- (2) this device must accept any interference received, including interference that may cause undesired operation.

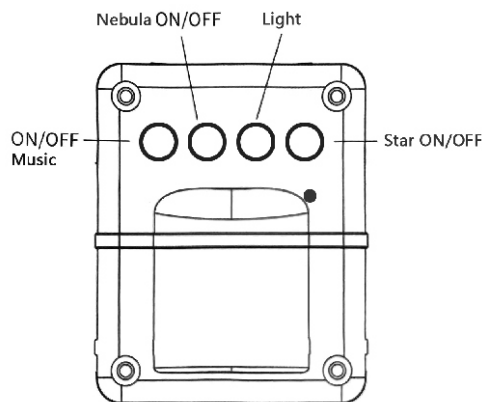
This transmitter must not be co-located or operating in conjunction with any other antenna or transmitter.

Note: This equipment has been tested and found to comply with the limits for a Class B digital device, pursuant to Part 15 of the FCC Rules. These limits are designed to provide reasonable protection against harmful interference in a residential installation. This equipment generates, uses, and can radiate radio frequency energy, and if not installed and used in accordance with the instructions, may cause harmful interference to radio communications. However, there is no guarantee that interference will not occur in a particular installation. If this equipment does cause harmful interference to radio or television reception, which can be determined by turning the equipment off and on, the user is encouraged to try to correct the interference by one or more of the following measures:

- Reorient or relocate the receiving antenna.
- Increase the separation between the equipment and receiver.
- Connect the equipment into an outlet on a circuit different from that to which the receiver is connected.
- Consult the dealer or an experienced radio/TV technician for help.

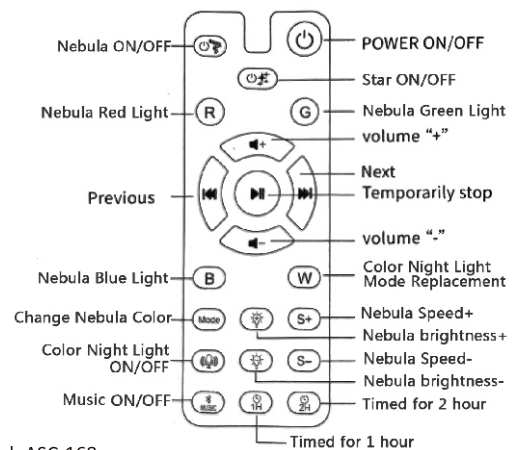
This device complies with FCC radiation exposure limits set forth for an uncontrolled environment. This device should be installed and operated with minimum distance 20cm between the radiator & your body.

Host Key Operation Instructions



- ON/OFF/Music:** Short press to turn on all functions, then press to turn off Music mode, then press to turn on Music mode (You need to connect your phone to play music), and long press for 2 seconds to turn off all functions.
- Nebula:** Short press to switch nebula light colors, there are a total of 8 nebula colors; Long press for 2 seconds to turn off the Nebula light.
- Light:** Short press to switch the color of hand held night light. The night light has a total of 7 color modes, including an automatic color change mode. Long press for 2 seconds to turn off the night light.
- Star:** Control the green star, it sets 3 breathing modes, short press to switch between different breathing modes (long and short breathing time), long press for 2 seconds to turn off the star.

Remote Control Instructions



- BT Model: ASC-168
 Net weight of product: 260g,
 Product Material: ABS+PVC+PC
 Laser wavelength: 532nm
 Product power: 5W
 Transformation adjustment: 8 nebula modes
 Remote control distance: <5 meters
 Lamp head adjustment: magnetic detachable type
 Night light adjustment color: white light, red light, green light, deep blue light, warm yellow light, light blue light, pink light
 Input voltage: 5V-2A
 Power supply mode: USB-Type C interface
 Product size: 175mm * 100mm * 120mm
 Attention: When using this product, please ensure that the power supply outputs a stable current of 2A or more, otherwise astronauts may not be able to work properly