

Antenna Specification for Approval

客户名称

Customer Name: _____

产品名称: _

Product Name: 2.4G antenna length 38mm

客户型号:

Product Name: _____

产品料号:

Part NO. : C113H-11130-110

制表:

Write By: 周敏

日期:

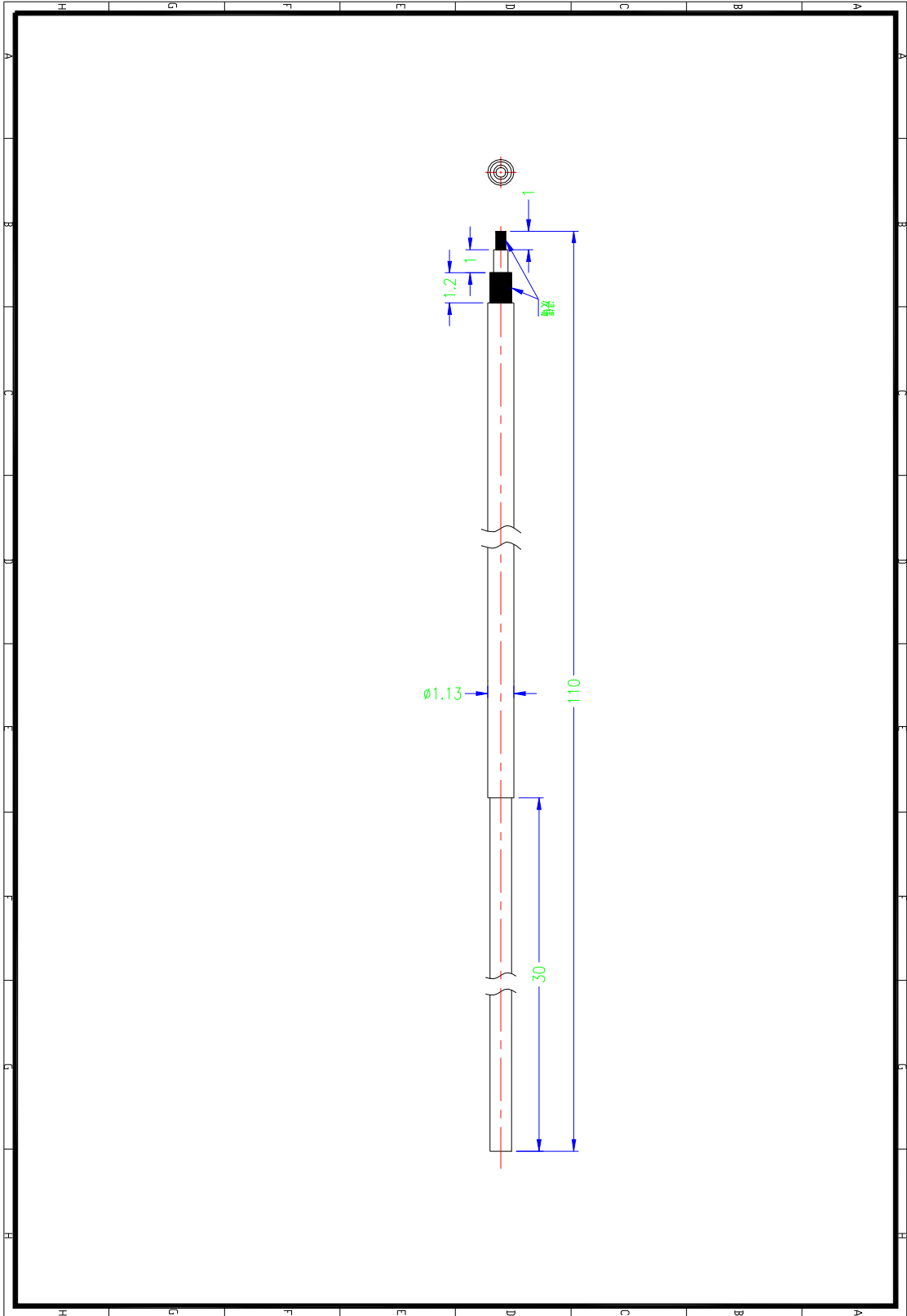
Issued Date: 2022-8-20

correspondent:

工程R&D Dept	采购Business Dept	承认 Approved By

LI XIN HUI

研发R&D Dept	工程 Engineer Dept	审核 Approval



Product Specification

A. Electrical Characteristics

Frequency 2400MHz ~2500MHz

VSWR <3.0

Efficiency >50%

Impedance 50 Ohm

Polarization Line

Gain 0.17DBi

B. Material & Mechanical Characteristics

Material of Radiator Cu

Cable Type 1.13 lucency

Connector Type : NO

Dimension

C. Environmental

Operation Temperature - 30 °C ~ + 80 °C

Storage Temperature - 30 °C ~ + 85 °C

Test Equipment & Conditions

1. Network Analyzers :

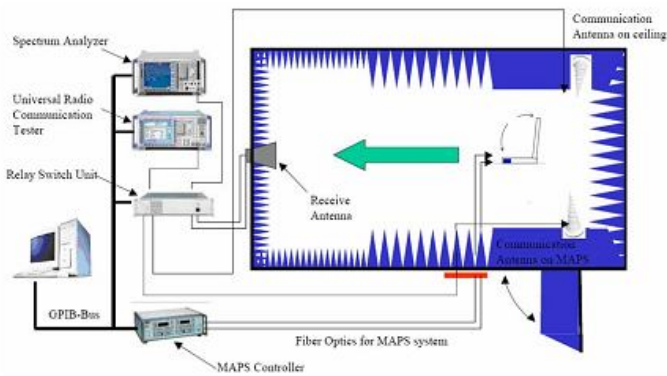
Agilent 8753D 5071B

2. Communications Test Set:

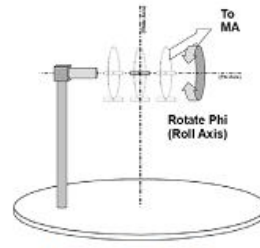
Agilent E5515C

3. 3D Chamber Test System

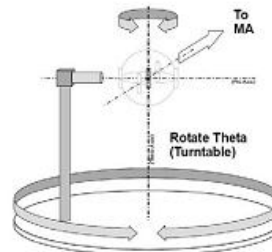
Efficiency & Gain



(Testing by 3D anechoic chamber)



Phi axis test



Theta axis test

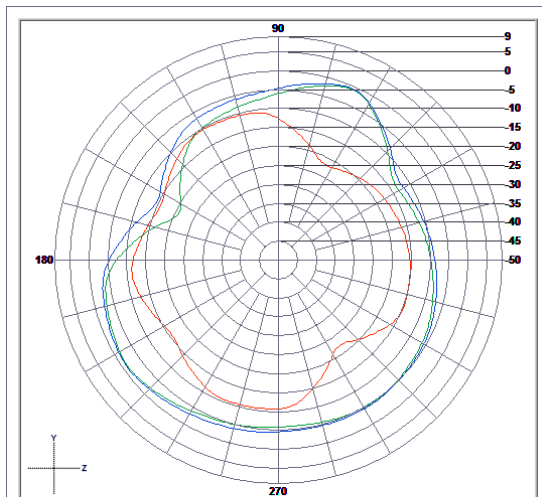
Efficiency & Gain

2.40 -0.01

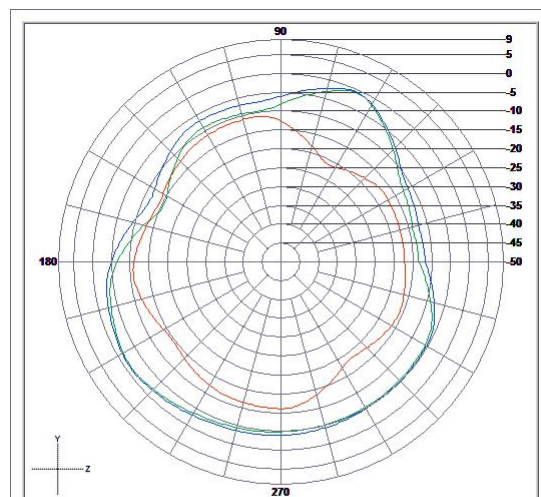
2.440 0.12

2.48 0.17

Radiation Pattern:



	Vertical	Horizontal	Total
Avg. Gain	-13.14	-5.08	-4.45
Peak Gain	-10.08	-0.03	-0.01



	Vertical	Horizontal	Total
Avg. Gain	-13.34	-5.06	-4.46
Peak Gain	-10.3	0.09	0.12

