

天线规格承认书

Antenna Specification for Approval

客户名称

Customer Name: _____

产品名称:

Product Name: _____ 2.4G 天线 全长45mm白色

客户型号:

Product Name: _____

产品料号:

Part NO.: _____ C45-1.1

制表:

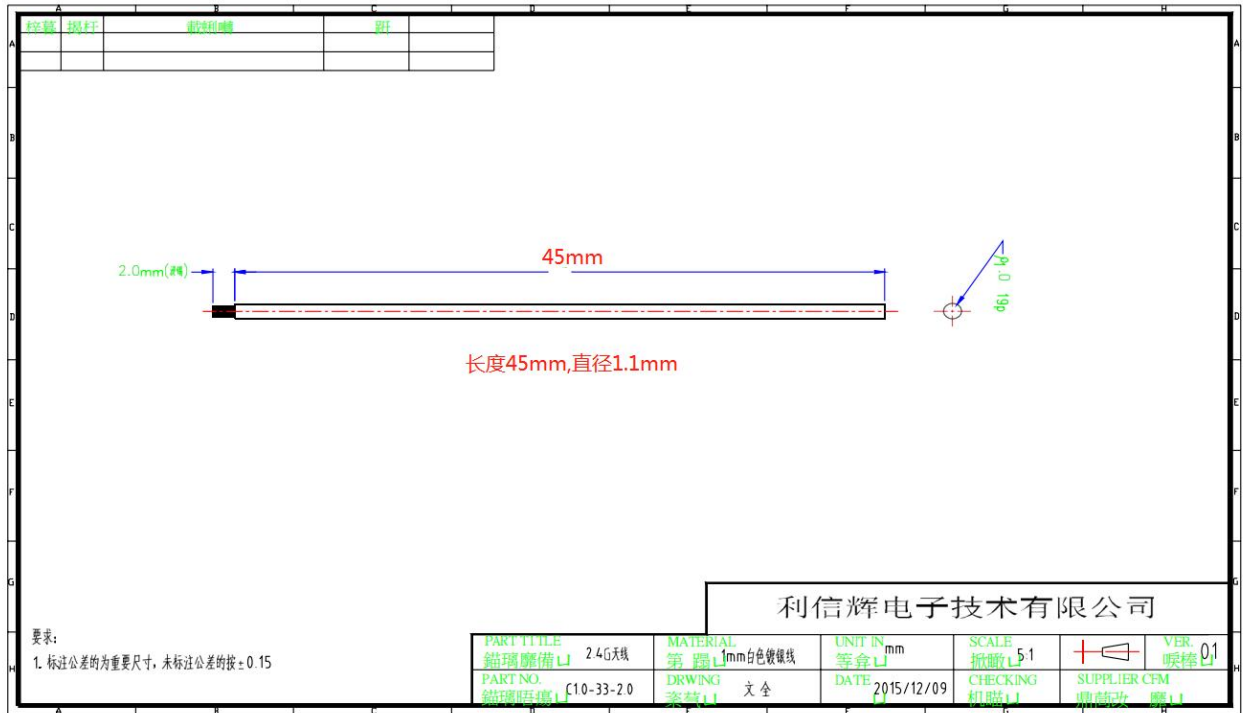
Write By: _____

日期:

Issued Date: _____ 2019-7-20

Manufacturer: YI LING TOYS FACTORY

Manufacturer add.: No. 14, Lane 1, Goulinxia, Qian'gou Village, Longdu Town, Chenghai District, Shantou City, Guangdong Province, China



Product Specification

A. Electrical Characteristics

Frequency 2400MHz ~2500MHz

VSWR <3.0

Efficiency >50%

Impedance 50 Ohm

Polarization Line

Gain 0.17dBi

B. Material & Mechanical Characteristics

Material of Radiator Cu

Cable Type 1.13

Connector Type : NO

Dimension

C. Environmental

Operation Temperature - 30 °C ~ + 80 °C

Storage Temperature - 30 °C ~ + 85 °C

Test Equipment & Conditions

1. Network Analyzers :

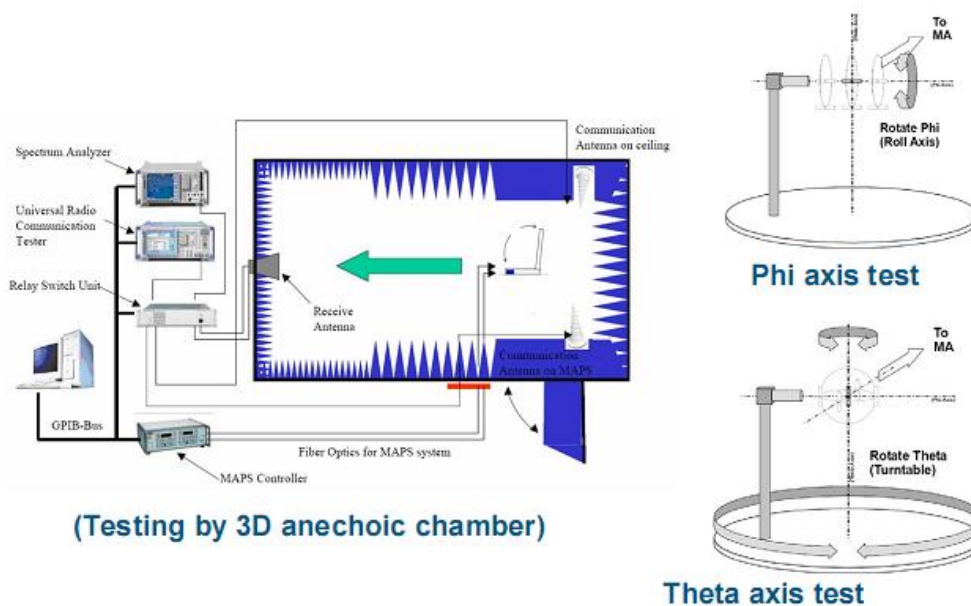
Agilent 8753D 5071B

2. Communications Test Set:

Agilent E5515C

3. 3D Chamber Test System

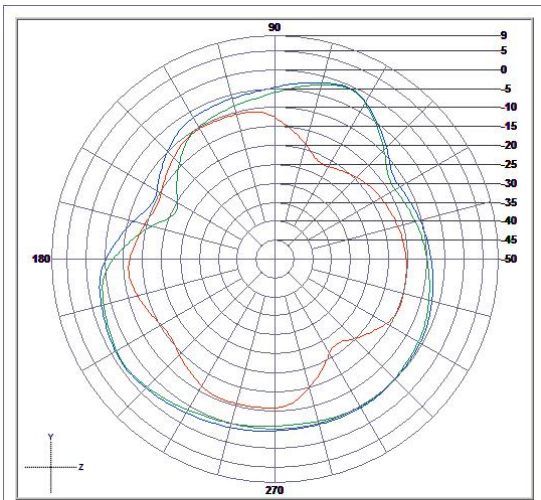
Efficiency & Gain



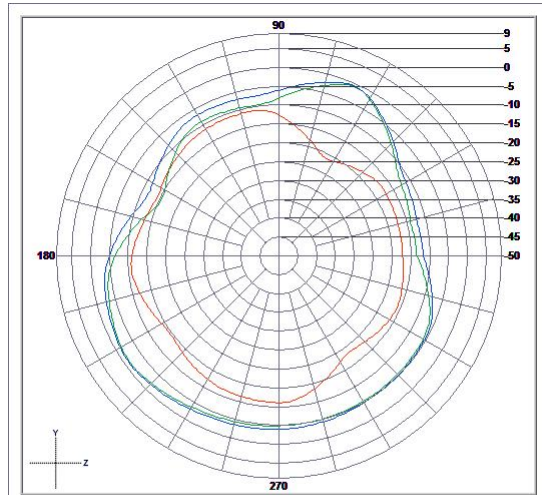
Efficiency & Gain

2.40	-0.01
2.440	0.12
2.48	0.17

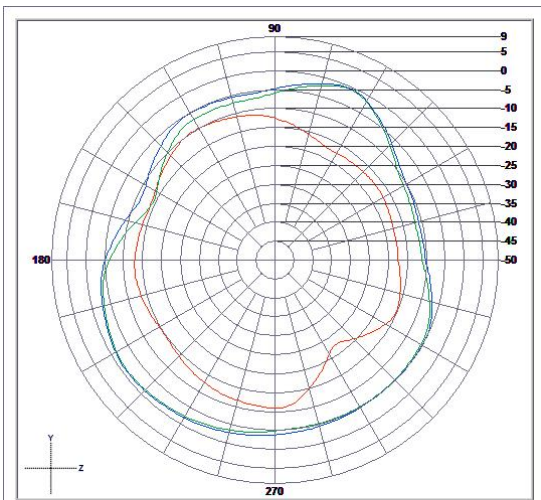
Radiation Pattern:



	Vertical	Horizontal	Total
Avg. Gain	-13.14	-5.08	-4.45
Peak Gain	-10.08	-0.03	-0.01



	Vertical	Horizontal	Total
Avg. Gain	-13.34	-5.06	-4.46
Peak Gain	-10.3	0.09	0.12



	Vertical	Horizontal	Total
Avg. Gain	-13.42	-4.6	-4.06
Peak Gain	-9.47	0.1	0.17

