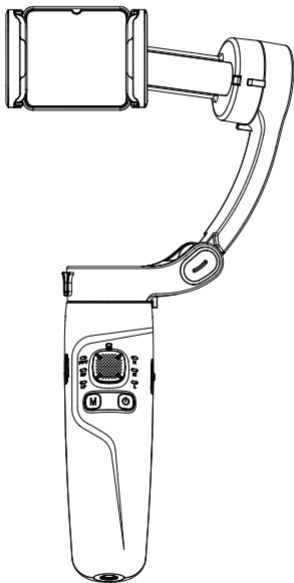


M1 3-axis Gimbal

Quick Start Guide



Merak One

Preparation

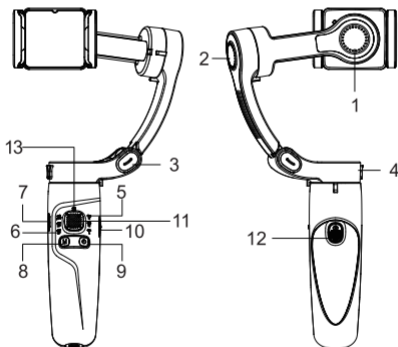
- ios: Search for “ **Gimbal Play** ” in the APP Store
Android: Search for “ **Gimbal Play** ” in the Google Apps



Scan code to download “Gimbal Play” app

Recognition stabilizer

This product is a three-axis stabilizer specially designed for mobile phones. It can assist mobile phones in shooting, effectively eliminate the picture shake caused by the external environment in the shooting process, and provide stable and smooth images. The stabilizer operation is simple and clear, the elderly and children can get started, can meet all the hobby of mobile phone photography crowd use. The stabilizer can support horizontal and vertical shooting of the mobile phone, and can control the direction button to manually adjust the shooting Angle of the mobile phone, to meet the requirements of shooting and video production.



1.P-AXIS

2.R-AXIS

3.SHAFT OF FOLDING

4.Y-AXIS

5.CHARGE/INDICATE LIGHT

6.STATUS LIGHT

7.USB

8.MODE

9.POWER

10.FOCUS

11.ROCKER

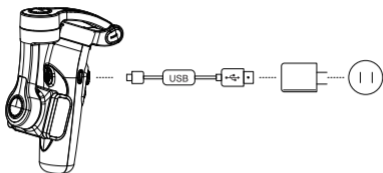
12.TRIGGER

13.LOW POWER

BLUETOOTH

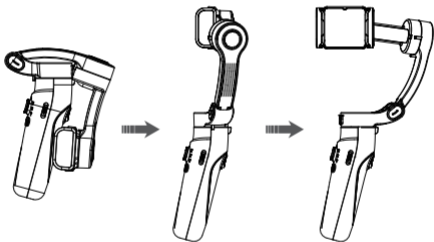
Charging

- Use the standard USB Type-C data cable to connect the USB charger to charge the cradle head. When the three indicator lights are green, it means that the charging is complete.



Installing a Mobile Phone

- Unfold the cradle head and release the locking state of pitch shaft, heading shaft and phone clip.



- Pay attention to the rotation direction during installation to avoid damage to the locking buckle.



Adjustment balance

When the phone is in the horizontal position, adjust the position of the phone left and right until the phone can touch the ground when it is stationary. Close to horizontal. When the phone is in vertical photography state, move the phone clip position left and right until the phone is close to the ground when it is stationary.



Function of the button



Power

- ① Hold down for 3 seconds to turn on and 3 seconds to turn off
- ② Click Portrait to switch
- ③ Double-click back



Mode

- ① By default all three mode indicators are on in full Follow mode
- ② Press M to enter full lock mode. LF is on
- ③ Double-click M key to enter the semi-follow, (Y-axis follow) HF light will be on
- ④ Hit M three times to enter FPV mode, person first view, FPV light on, P axis, R axis, Y axis three motor linkage at the same time, follow the direction of the mobile phone lens movement. Push the joystick up and down in FPV mode to achieve Inception mode (rotation mode)
- ⑤ Four click M keys to enter full follow mode Three mode lights are all on (Y axis and Raxis follow at the same time)



- ② Double click the camera button to switch the front and rear lenses of the phone
- ③ Click the "photo" button to swap photos and videos
- ④ Long press the trigger button to start recording directly

Rocker

Adjust the four directions of the head



Capacity indicator light

- ① Full charge - three green lights are steady on,
- ② Steady power - two green lights are steady on,
- ③ Low electricity - a green light is steady on,
- ④ Low power alarm - The Bluetooth light is blinking red



Bluetooth indicator light

- ① Green blinking - Bluetooth connection is down,
- ② Steady green - Bluetooth is connected,
- ③ Blinking red: The device is low and needs to be charged



Focus

Push upward in the direction of W to enlarge the focal length in the APP, push downward in the direction of T to reduce the focal length in the APP



All green lights flashing

The device enters the high current protection state (Please check whether the upper and lower distance of the mobile phone clip is the same or whether the mobile phone is installed in the middle of the mobile phone clip)



Trigger

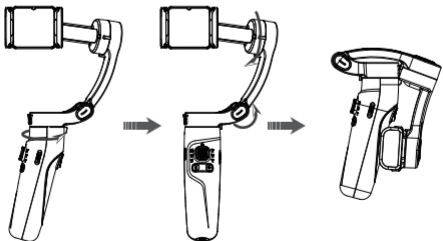
- ① Click the "Photo" button to take a photo/video for the mobile phone

Specification

Charge Voltage	5V
Charge C urrent	<2000MA
Working C urrent	200-2000MA
Working Voltage	6.5V
Working Temps	0-40°
Working Hour s	5-8 hours
Net Weight	300g
Compatible	<7inch phone
Payload Weight	280g
Battery Cap acity	2500ma
Pitching	-100°~ +220°
Twisting	-30°~ +30°
Heading	-160°~ +160°
Accessory Interface	1/4 nipple

Folding

- Fold the head and release the locking state of pitch shaft, heading shaft and phone clip.



Disclaimer and Safety Instructions

Thank you for purchasing this device. Before using this product, please read the content of this article in detail. The content mentioned in this article is related to your safety and legal rights and responsibilities. Please use and set the product according to the requirements of this article.

From the time you start using this Product, you are deemed to have read the disclaimer and warnings carefully.

Understand, accept and accept all terms of this Statement. The Company shall not be responsible for any damage, injury or any legal liability caused by your direct or indirect use of the product. Users should follow all safety guidelines, including but not limited to those mentioned in the text.

Safe Operation Guide

1. The three-axis stabilizer is a non-waterproof product. Do not use the product in the rain or wet environment, and do not put the product in water or get wet. Contact with liquid inside the product may cause corrosion reaction, which will cause spontaneous combustion of the battery, or even cause explosion.
2. If the product is on fire, please extinguish the fire immediately to avoid serious losses.
3. Please use the product in an environment where the temperature is between 0 and 40°C. Do not heat the product. Too high or too low temperature may shorten the service life of the product.
4. Please pay attention to product safety. Do not mechanically strike, roll or throw the product, and do not place heavy objects on the product.
5. Do not disassemble the product in any way. If the battery is punctured during disassembly, the liquid inside the battery will leak out, or even cause fire and explosion.
6. If the battery is not used for a long time, discharge the battery to 40%-65% power and store it. Do not store the product for a long time after thorough discharge, lest the battery overdischarge, damage the cell and cannot be used. Re-discharge every three months or so to keep the battery alive.



Warning:

This device complies with Part 15 of the FCC Rules. Operation is subject to the following two conditions:

- (1) this device may not cause harmful interference, and
- (2) this device must accept any interference received, including interference that may cause undesired operation. Changes or modifications not expressly approved by the party responsible for compliance could void the user's authority to operate the equipment.

NOTE: This equipment has been tested and found to comply with the limits for a Class B digital device, pursuant to Part 15 of the FCC Rules. These limits are designed to provide reasonable protection against harmful interference in a residential installation. This equipment generates, uses and can radiate radio frequency energy and, if not installed and used in accordance with the instructions, may cause harmful interference to radio communications. However, there is no guarantee that interference will not occur in a particular installation.

If this equipment does cause harmful interference to radio or television reception which can be determined by turning the equipment off and on, the user is encouraged to try to correct the interference by one or more of the following measures:

- Reorient or relocate the receiving antenna.
- Increase the separation between the equipment and receiver
- Connect the equipment into an outlet on a circuit different from that to which the receiver is connected.
- Consult the dealer or an experienced radio/TV technician for help

NOTE: This device and its antenna(s) must not be co-located or operation in conjunction with any other antenna or transmitter

The device has been evaluated to meet general RF exposure requirement. The device can be used in portable exposure condition without restriction.