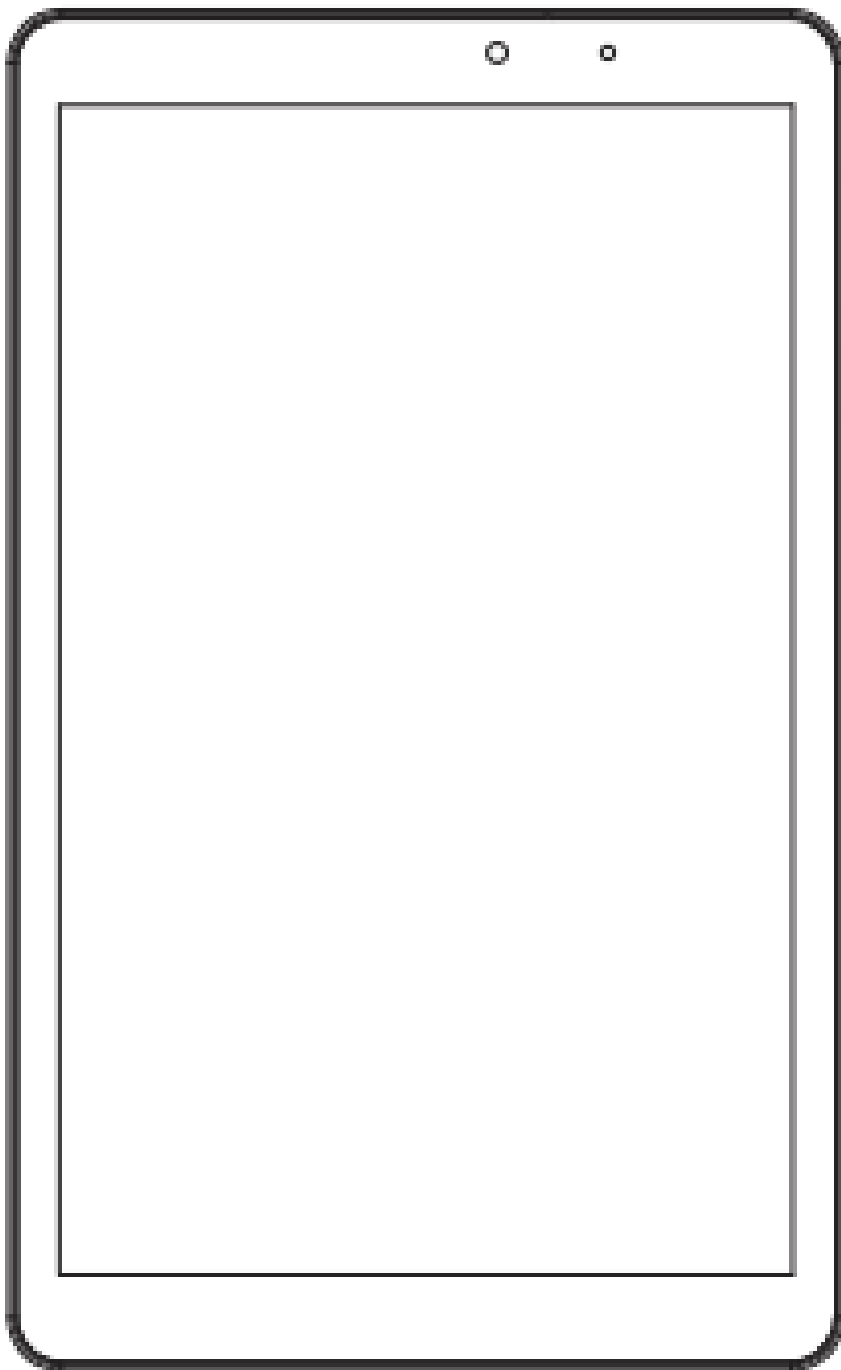


IM-L801D UserManual



USING YOUR DEVICE FOR THE FIRST TIME

Charging the device

You might need to charge the battery before using your IM-L801D

- 1.Plug the power adapter into the type-c socket;
- 2.Connect the power adapter to an electrical outlet and charge the IM-L801D until the battery is fully charged

Note:

1. The battery is not fully charged when you unpack your Device;
2. A fully discharged battery takes about 8 hours to fully charge;
3. When the battery is being charged, the LED indicator light is red. When the battery has been fully charged, the LED indicator light is green

Turning on/off

Turning on the device

Note:

1. Press and hold the Power button for 2~3 seconds to turn your Device on;
2. The Device is now ready for use.

Turning off the device

Press and hold the Power button for 2~3 seconds, then click on the power off confirmation screen to confirm turning the device off.

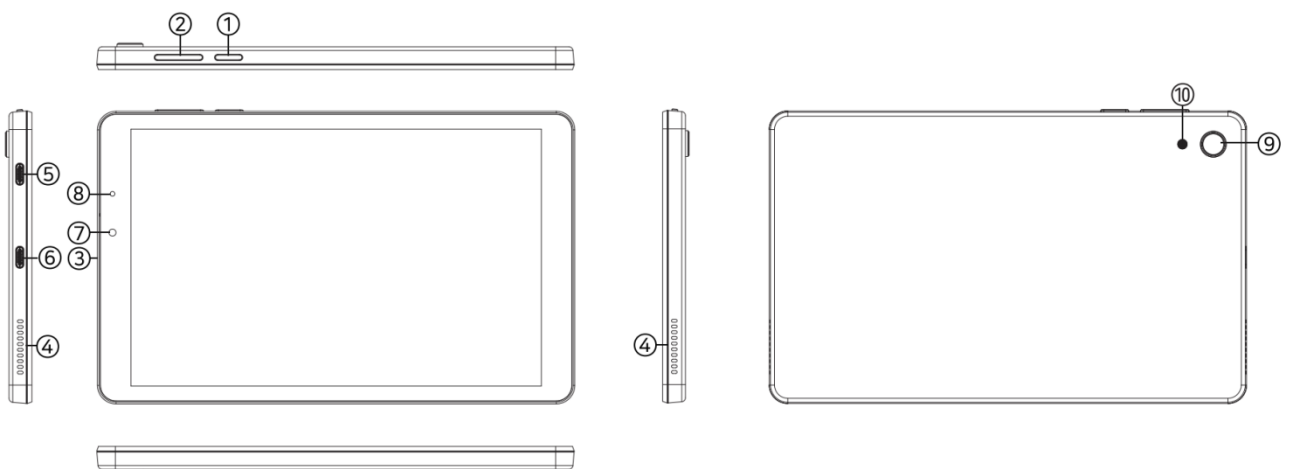
Battery and charger safety

- 1.To unplug a charger or an accessory, hold and pull the plug, not the cord.
- 2.Unplug your charger when it is not in use.
- 3.If your Device is left unused on standby, a fully charged battery will still lose charge over time.
- 4.Always keep the battery between 59°F and 77°F (15°C and 25°C) for optimal performance. Extreme temperatures reduce the capacity and lifetime of the battery.A LincPlus laptop with a hot or cold battery may not work temporarily.
- 5.Do not dispose of batteries in a fire as they may explode. Obey local regulations. Recycle when possible. Do not dispose as household waste.
- 6.Do not dismantle, cut, crush, bend, puncture, or otherwise damage the battery in any way. If a battery leaks, do not let the liquid touch your skin or eyes. If this happens, immediately flush the affected areas with water, and seek medical help.
- 7.Do not modify, attempt to insert foreign objects into the battery, or immerse or expose it to water or other liquids. Batteries may explode if damaged.
- 9.Use the battery and charger for their intended purposes only. Improper use, or use of unapproved or incompatible batteries or chargers may present a risk of fire, explosion, or other hazard, and may invalidate any approval of warranty. If you believe the battery or charger is damaged, take it to a service centre before continuing its use.
- 10.Never use a damaged battery or charger.
- 11.Do not charge your device during a lightning storm. Only use the charger indoors.

Specification

Category		Description
OS		Android 13
Display	Size	8"
	TN OR IPS	IPS
	Screen Resolution	800x1280
	Brightness	300nits
CPU	Type	Quad-core ARM Cortex™-A53 2GHz
	Model number	MTK MT8766B
GPU		IMG GE8300 660MHz
RAM	Capacity	3/4GB
	Type	LPDDR4X
Storage	Capacity	32/64/128GB
	Type	eMMC5.1
TOUCH PANEL	TYPE	G+G 2D
	Channel	40Ch (26+14)
	Touch IC position	COB
	Touch IC model number	GSL3670
	Type of touch	Capacitive
	Multi-touch	10 point
Bezel Color	Black	
Chassis	Upper	Black
	Button	Dark gray
	Camera decoration	Same as body color
	Dock decoration	N/A
	Lower cover	N/A

	Lower	Dark gray	
I/O PORT	Audio port	N/A	
	USB PORT	IM-L801D 1 x USB-C (center) :Charging, Data transfer, OTG (USB2.0) 1 x USB-C (side) : Charging 1 x 2pin inner 5V DC jack	
	CHARGING PORT	USB-C	
	HDMI PORT	N/A	
	SD PORT	N/A	
	USB HOST PORT	USB-C	
	BUTTON	POWER, VOL-, VOL+	
	SIM PORT	N/A	
SPEAKER		2speaker (8Ω/1W)	
Microphones		Built-in / 1 MIC	
SENSOR		G-sensor, Hall sensor	
Camera	FRONT	2.0M	
	REAR	2.0M	
Wi-Fi		802.11 b/g/n, ac, Dual band (MT6631)	
BLUETOOTH		BT5.0	
3G		N/A	
LTE		N/A	
GNSS		GPS, Glonass, Beidou, Galileo	
FM		N/A	
Power		10W charge (5V 2A), USB-C	
		Nominal Voltage	3.8V
		Typical capacity	4650mAh
		Minimal capacity	4600mAh
		NTC	YES
VIBRATION MOTOR		N/A	
DEMENSION		121.26x 197.6 x 9.6mm	
WEIGHT		332g	



1. Power button	2. Volume button
3. MIC hole	4. Speakers
5. USB-C port (Charging only)	6. USB-C port (Charging, OTG, data transfer)
7. Front camera	8. LED Indicator
9. Rear camera	10. Flash light

Dear customer;

We would like to thank you for your recent purchase. We truly care about your user experience.

If you have any questions or concerns, please feel free to contact us. Our customer support team is standing by to assist you.

Best regards

Service Team

This device complies with part 15 of the FCC rules. Operation is subject to the following two conditions: (1) This device may not cause harmful interference, and (2) this device must accept any interference received, including interference that may cause undesired operation.

15.21 Information to the user.

Any changes or modifications not expressly approved by the party responsible for compliance could void the user's authority to operate the equipment. 15.105 Information for the user.

Note: This equipment has been tested and found to comply with the limits for a Class B digital device, pursuant to part 15 of the FCC rules. These limits are designed to provide reasonable protection against harmful interference in a residential installation. This equipment generates, uses and can radiate radio frequency energy and, if not installed and used in accordance with the instructions, may cause interference to radio communications. However, there is no guarantee that interference will not occur in a particular installation. If this equipment does cause harmful interference to radio or television reception, which can be determined by turning the equipment off and on, the user is encouraged to try to correct the interference by one or more of the following measures:

- Reorient or relocate the receiving antenna.
- Increase the separation between the equipment and receiver.
- Connecting the equipment to a socket on a circuit different from that to which the receiver is connected.
- Contact with the provider or a radio TV technician for help.

Specific absorption rate (SAR):

This Tablet meets the government's requirements for exposure to radio waves. The guidelines are based on standards developed by independent scientific organizations through periodic and thorough evaluation of scientific studies. The standards include a margin of safety designed to ensure the safety of all people regardless of their age or health.

The FCC Statement of Exposure to RF and the SAR limit for the United States (FCC) is 1.6 W/kg average for each gram of tissue. This device was tested for typical operations of use on the body, with the back of the Tablet at 0mm from the body. To maintain compliance with FCC RF exposure requirements, use accessories that maintain a distance of 0mm between the user's body and the back of the Tablet. The use of belt clips, covers and similar accessories must not contain metallic components in their assembly. The use of accessories that do not meet these requirements may not meet FCC RF exposure requirements and should be avoided.

Functioning in the body

This device was tested for typical operations of use in the body. To comply with RF exposure requirements, a minimum separation distance of 0mm must be maintained between the user's body and the telephone, including the antenna. Third-party accessories such as belt clips, covers and similar accessories used with this device should not contain metallic components, accessories that do not meet these RF exposure requirements and should be avoided from use on the body. Use only the supplied antenna or an approved antenna.

IC Caution:

English:

This device contains licence-exempt transmitter(s)/receiver(s) that comply with Innovation, Science and Economic Development Canada's licence-exempt RSS(s). Operation is subject to the following two conditions:

1. This device may not cause interference.
2. This device must accept any interference, including interference that may cause undesired operation of the device.

French:

L'émetteur/récepteur exempt de licence contenu dans le présent appareil est conforme aux CNR d'Innovation, Sciences et Développement économique Canada applicables aux appareils radio exempts de licence. L'exploitation est autorisée aux deux conditions suivantes :

1. L'appareil ne doit pas produire de brouillage;
2. L'appareil doit accepter tout brouillage radioélectrique subi, même si le brouillage est susceptible d'en compromettre le fonctionnement.

SAR Statement: Tablet has been tested and meets applicable limits for radio frequency (RF) exposure. Specific Absorption Rate (SAR) refers to the rate at which the body absorbs RF energy. The SAR limit is 1.6 watts per kilogram in Canada that set the limit averaged over 1 gram of tissue. During testing, IM-L801D (32127-IML801D) radios are set to their highest transmission levels and placed in positions that simulate uses against the head, with no separation, and when worn or carried against the torso of the body, with 0mm separation. To reduce exposure to RF energy, use a hands-free option, such as the built-in speaker phone, the supplied headphones, or other similar accessories. Cases with metal parts may change the RF performance of the device, including its compliance with RF exposure guidelines, in a manner that has not been tested or certified. Although this device has been tested to determine SAR in each band of operation, not all bands are available in all areas. Bands are dependent on your service provider's wireless and roaming networks.

5.15-5.25GHz is for indoor use only