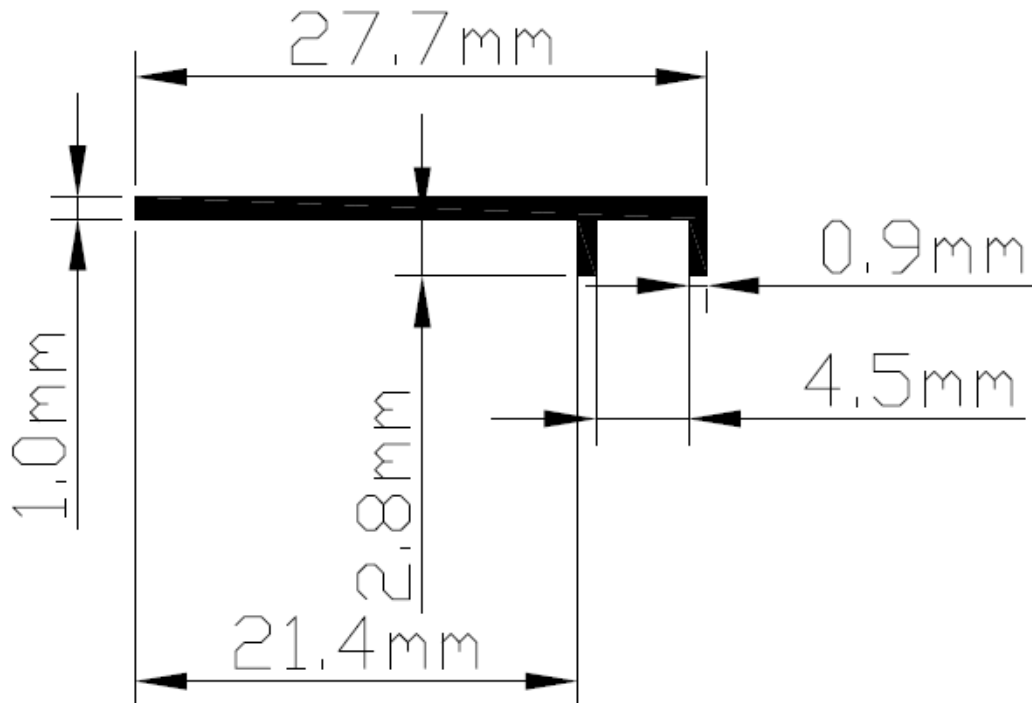


ANTENNA SPECIFICATION

Summary

ITEM	ANT SPEC					
Model Name	2.4G ANT					
Center Frequency Gain	Horizontal			Vertical		
	2400MHz	2450MHz	2500MHz	2400MHz	2450MHz	2500MHz
	-1.22	-0.58	-1.04	-2.6	-1.9	-2.35
MAX Gain	-0.58 dBi					
Polarization	Horizontal and Vertical					
Azimuth Beam Pattern	Omni-directional					
Impedance	50 Ohm					
Antenna Length	14.40mm					
Manufacture						

Antenna Photo & Length (mm)

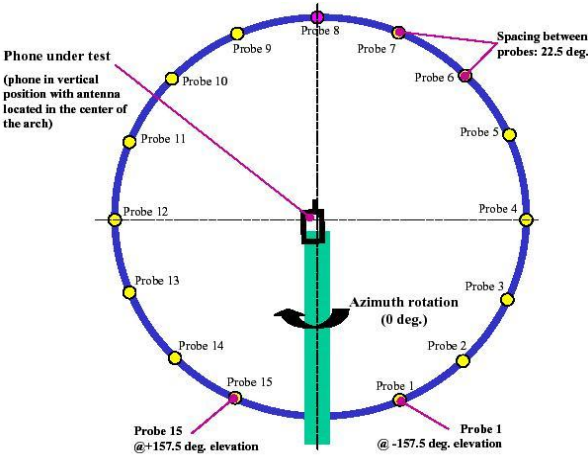
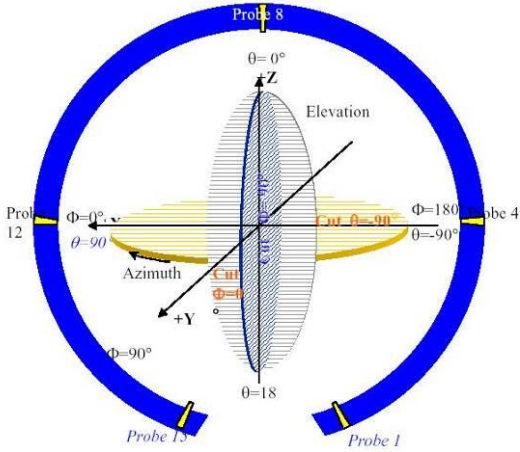


3D Radiation Pattern:

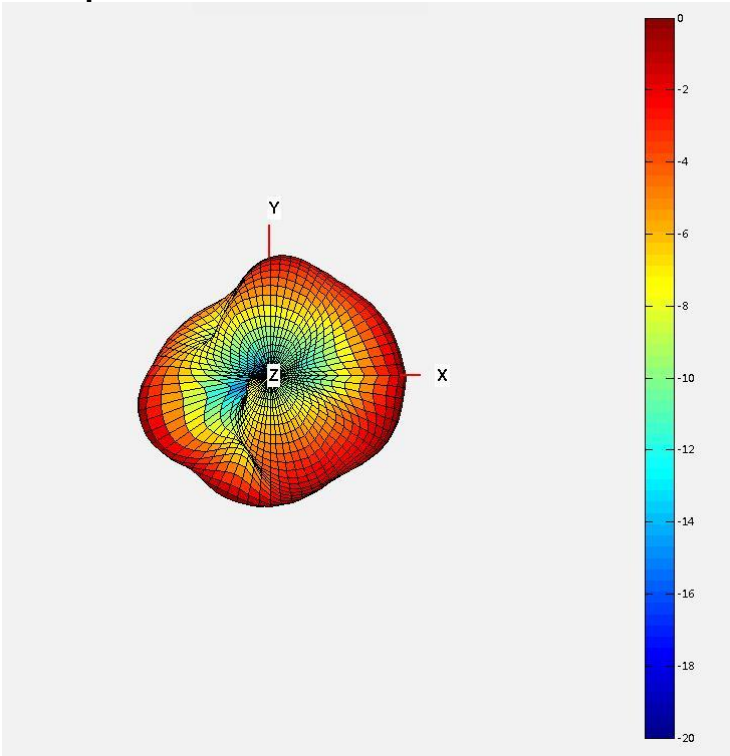
Test environment :

Room temperature : 25°C Humidity : 45%

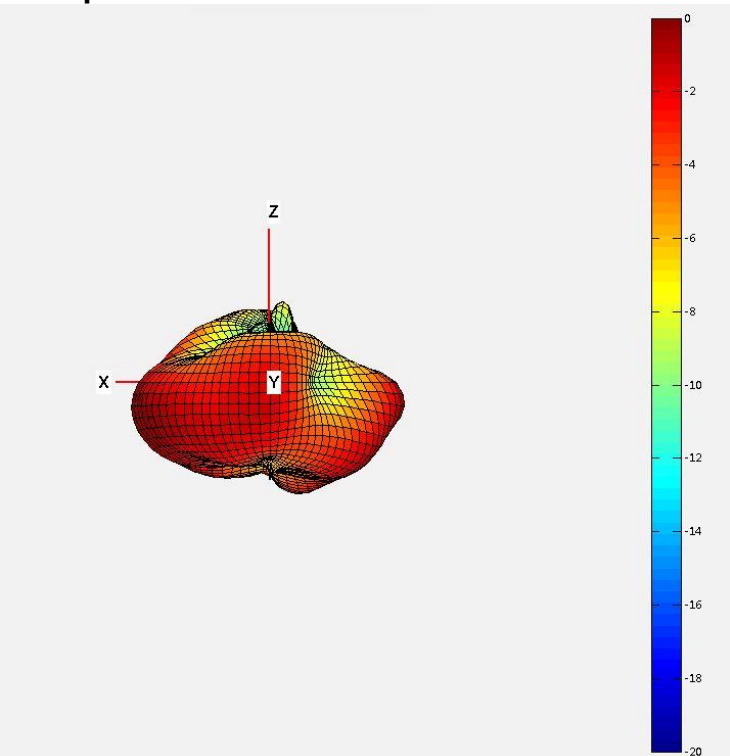
Test schematic:



2450MHz X-Y plane



2450MHz X-Z plane



2450MHz Y-Z plane

