

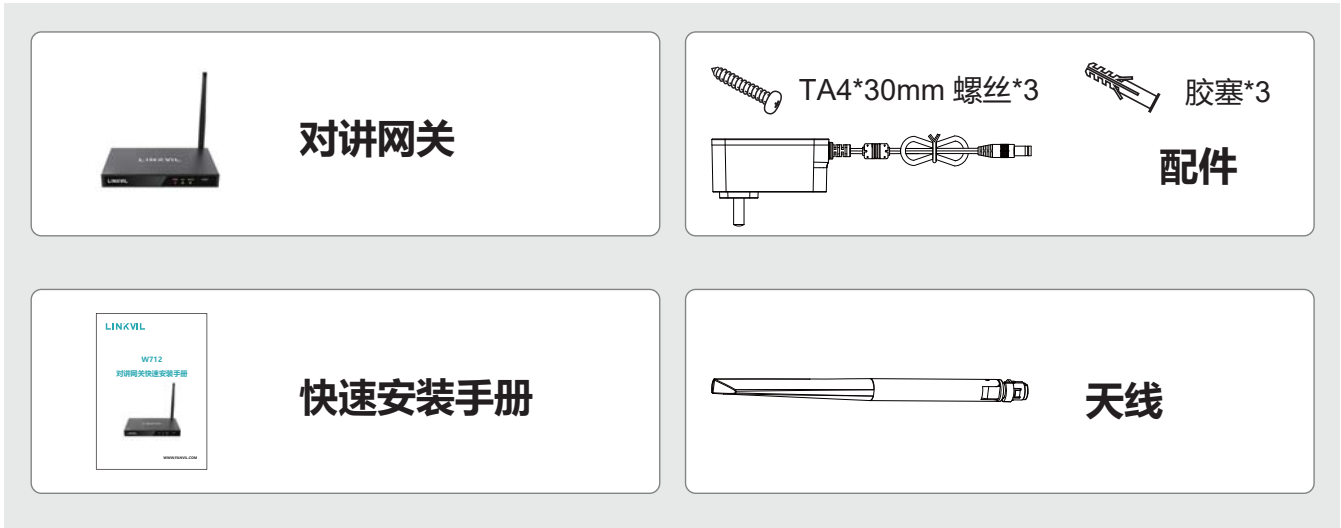
# LINKVIL

## W712

### 对讲网关快速安装手册



## ① 包装清单



## ② 物理规格

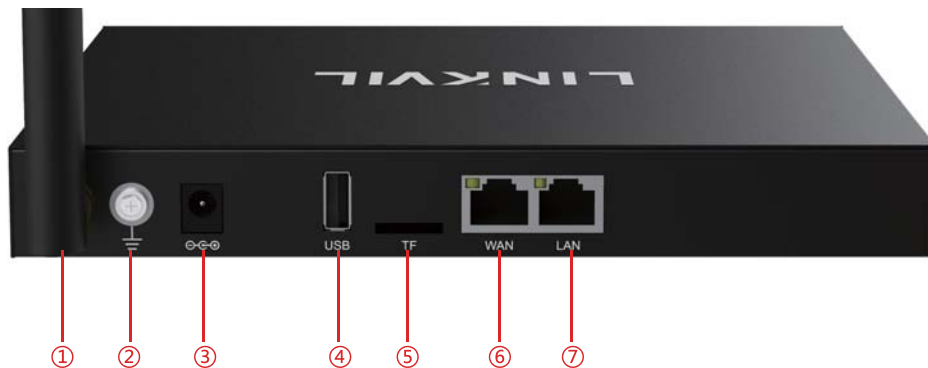
设备尺寸	126*209*26.3mm
------	----------------

### 1) 面板



## 2)接口描述

设备背面接口，可以电源、网络、TF卡、U盘等等，连接如下所示：



序号	描述
①	外置天线接口
②	接地螺丝接口
③	电源接口：12V/2A输入，注意内正，外负
④	USB接口，可外接U盘，最大支持128G
⑤	TF卡接口，可外接U盘，最大支持128G
⑥、⑦	以太网WAN/LAN接口：标准RJ45接口，10/100M自适应，建议使用五类或者超五类网线

## ③ 安装

### 步骤1：安装前准备

#### A.电压检查

- 检查直流电源或外接电源的电压是否在本产品的工作电压范围之内（12V/2A）

#### B. 产品检查

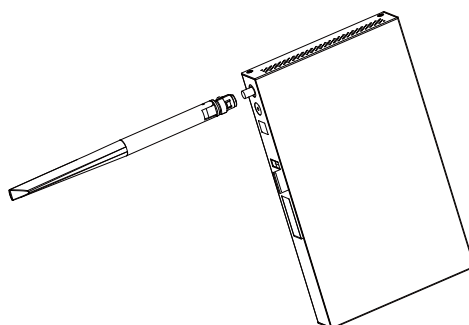
- 上电开机后，通过观察前面板上的所有指示灯的状态检查本产品是否运行正常。请参考“基本功能操作”。

#### C. 配件安装

- 未启用此设备时，首先要安装上配套的窄带天线、电源适配器和接上WAN 网线。

#### D. 安装天线（图1）

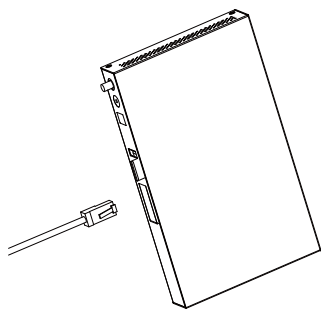
- 将天线有螺纹的一端插入窄带连接头，然后拧紧。



(图1)

#### E. 安装网线 (图2)

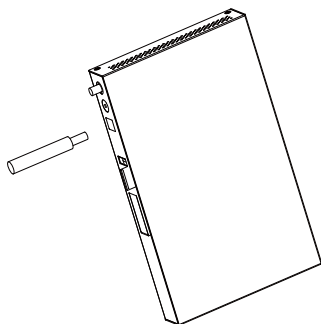
- 将网线插入 WAN 网口 (以太网) , 支持POE供电(802.3at)。



(图2)

#### F. 安装电源适配器 (图3)

- 将电源适配器电线端的连接头插入设备的 12V 电源连接头。



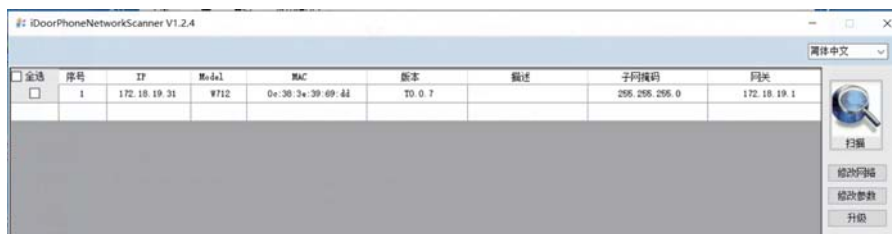
(图3)

## ④ 设备IP地址

设备的IP查询方法如下所示:

打开IP扫描工具, 点击刷新按钮, 搜索并找到设备的IP地址。

(下载地址: <https://www.fanvil.com.cn/>)



## ⑤ 网关设置

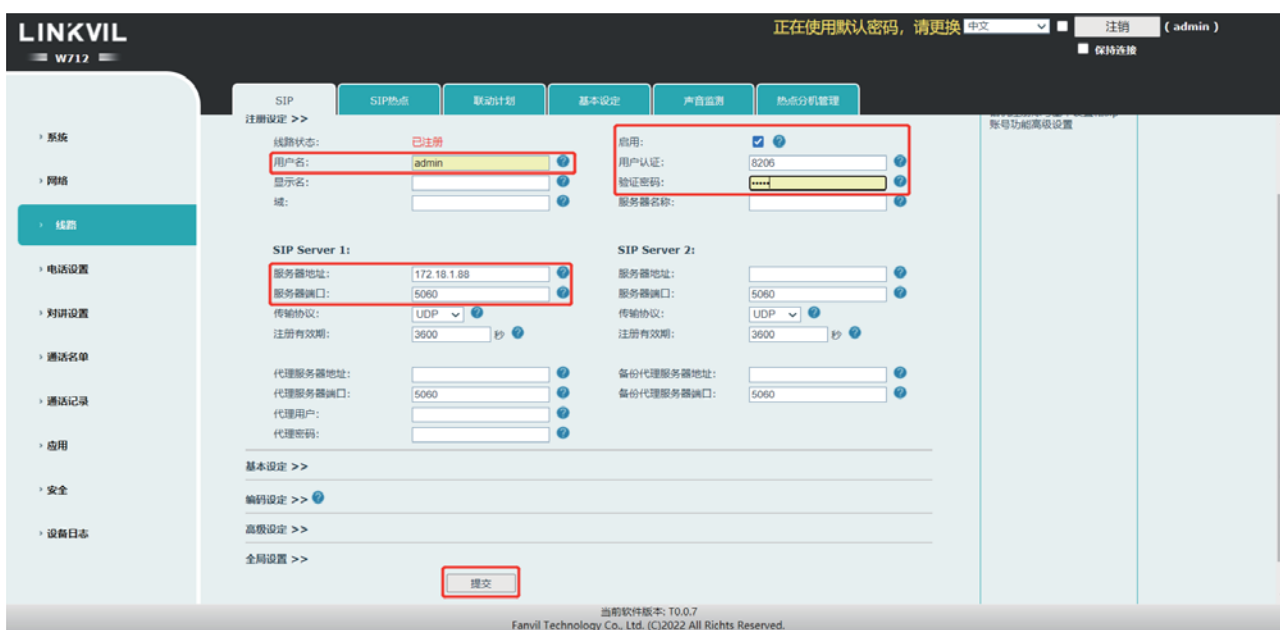
第一步: 登录设备网页

使用网页浏览器输入IP (例如: <http://192.168.1.128>) 访问, 默认的用户名为admin, 密码为admin.



## 第二步：设置SIP账号

通过分配到的SIP账号，分别配置SIP服务器地址、端口、用户名、密码以及号码。然后勾选【启用】，点击【提交】即可。



## 第三步：设置对讲频道

设置与对讲机相关的频道相关参数，如下所示，点击【提交】即可,与对讲机互通需要两者的频率一致，特有参数一致

类型：模拟信道或数字信道。

功率：发射距离长度

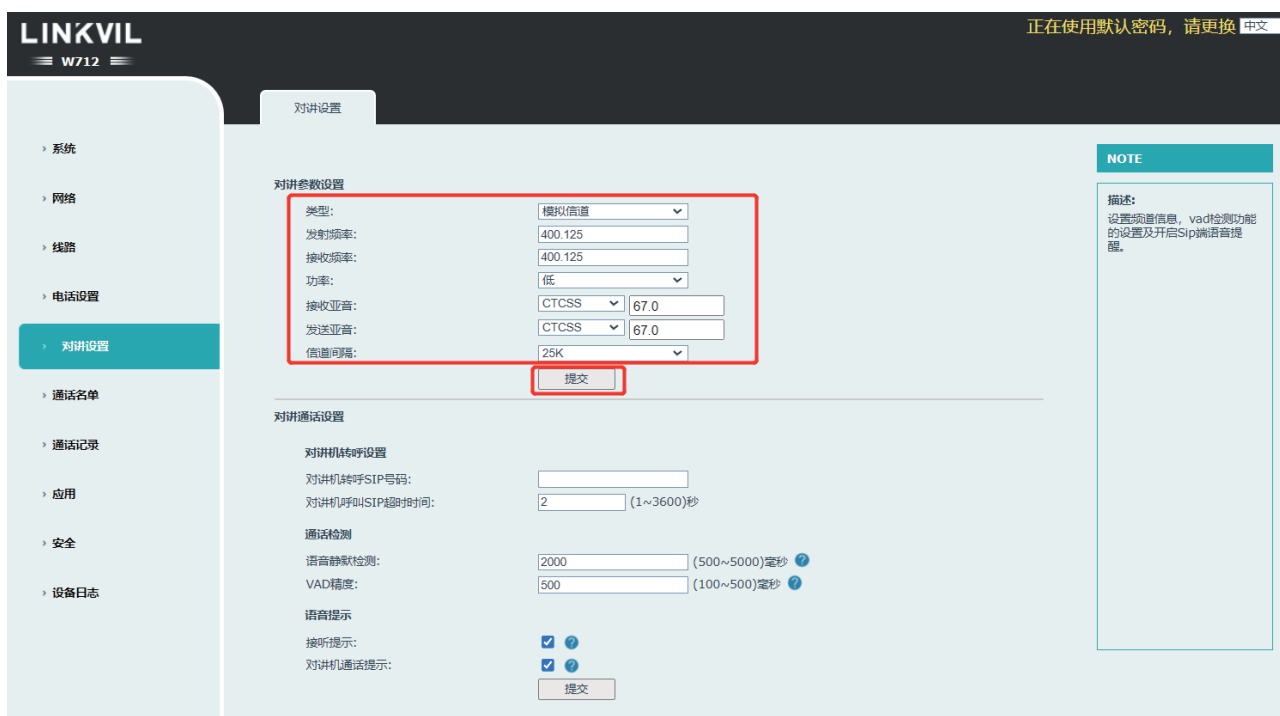
信道间隔：模拟信道特有参数

色码：数字信道特有参数

发射频率/接收频率：要呼叫的对讲机频率

接收亚音/发射亚音：模拟信道特有参数

时隙：数字信道特有参数

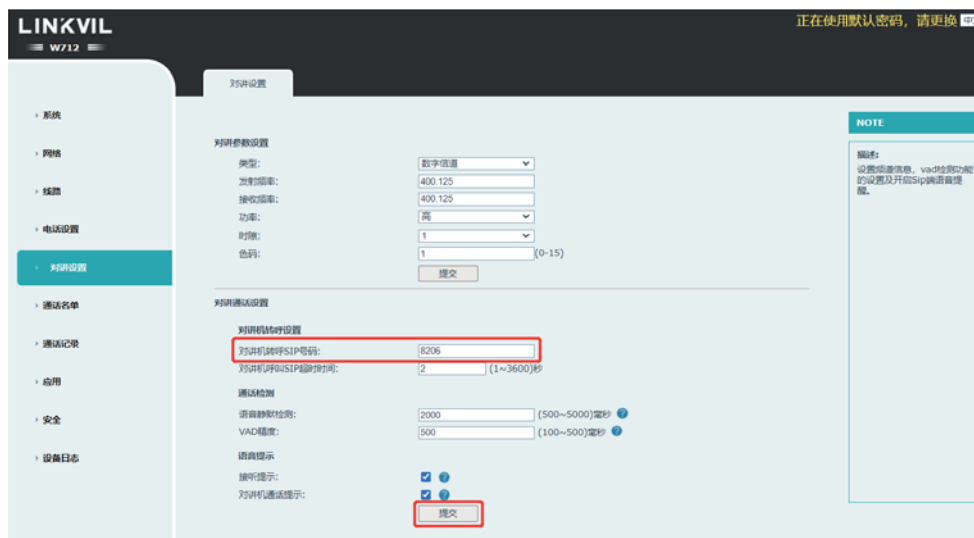


备注：默认发射功率为低，正常使用建议更改为高

第四步：对讲参数设置  
设置网关接收组播地址：



设置对讲机转呼号码，对讲机按下PTT时转接给对应话机，其余参数如下：



第五步：对讲功能使用：

一般方式呼叫：

话机拨打网关注册的sip号码，网关设置频道参数与对讲机一致，话机端说话时自动转发到对讲机端，话机未说话时，对讲机端按下PTT键自动转发到话机端

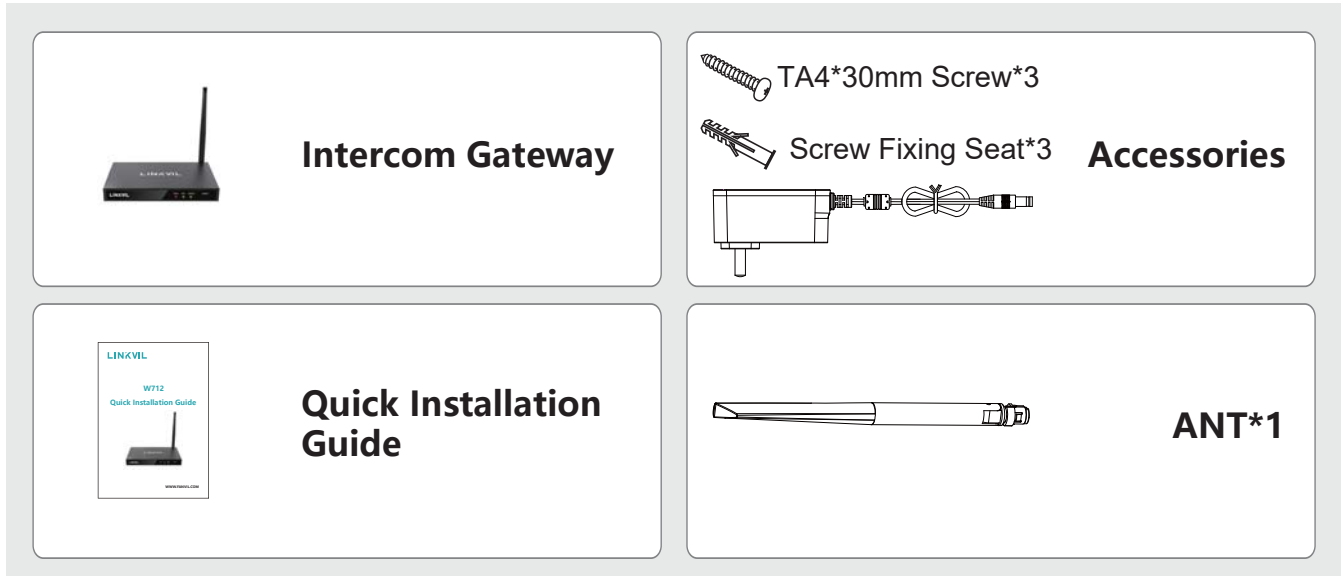
PTT方式呼叫：

话机配置PTT键为网关注册的sip号码或组播地址，网关设置频道参数与对讲机一致，网关设置对讲机转呼号码，话机端按下PTT键说话自动转发到对讲机端，松开PTT键结束对讲，对讲机端按下PTT键自动呼叫对讲机转呼号码中设置的号码，说话转发到话机端，松开PTT键结束对讲

第六步：应用场景

序号	场景	对讲可传输距离 (4W功率)
1	室内楼宇	最大29层
2	社区/园区	最大1500米半径
3	城市开阔地带	最大2900米半径

## ① Package Contents



## ② Physical specification

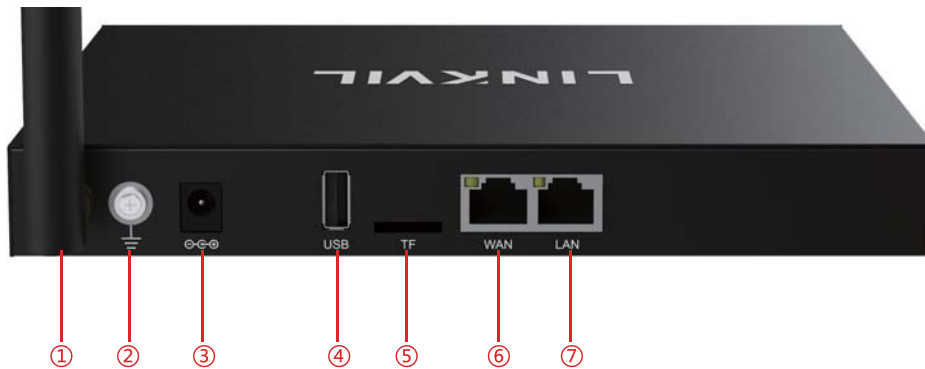
Device size	126*209*26.3mm
-------------	----------------

### 1) Panel



## 2) Interface description

The interface on the back of the device can be used for power supply, network, TF card, U disk, etc. The connection is shown as follows:



①	ANT Interface
②	GND Interface
③	Power interface: 12V/2A input, note that the inside is positive and the outside is negative
④	USB interface: Can be connected to external USB flash drive, the maximum support is 128G
⑤	TF card interface, can be connected to external U disk, the maximum support 128G
⑥、⑦	WAN/LAN interface: standard RJ45 interface, 10/100M self-adaptive, it is recommended to use Category 5 or Super Category 5 network cable

## 3 Installation

Setp 1: Installation preparation

A. Power Supply check

- Check whether the voltage of dc power supply or external power supply in the range of the working voltage of the product(12V/2A).

B. Product Check

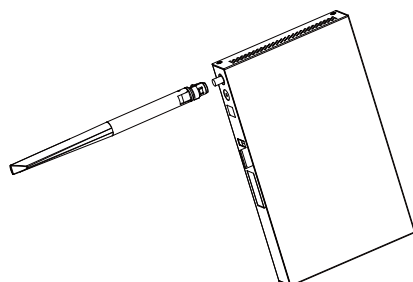
- After the device is powered on and started, check whether the device is running properly by observing the status of all indicators on the front panel. For details, see "Basic Function Operations".

C. Installation of accessories

- If the device is not enabled, you need to install the narrowband antenna, power adapter, and LAN cable.

D. Installing the Antenna (Figure 1)

- Insert the threaded end of the antenna into the narrow band connector and tighten it.

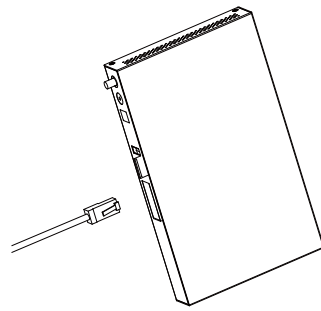


(Figure 1)



#### E. Install network cables (Figure 2)

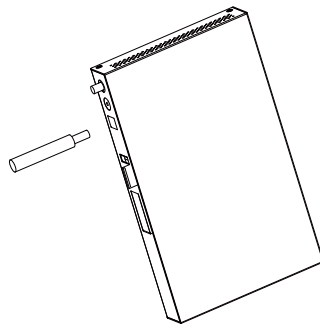
- Connect the network cable to WAN network port (Ethernet) for POE power supply (802.3at).



(Figure 2)

#### F. Install the power adapter (Figure 3)

- Plug the cable connector of the power adapter into the 12V power connector of the device.



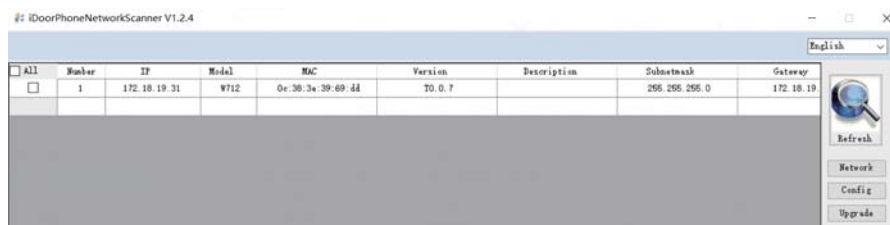
(Figure 3)

## 4 Device IP address

Device IP address query method:

Open the iDoorPhone Network Scanner. Press the Refresh button to search the device and find the IP address.

( Download address: <http://download.fanvil.com/tool/iDoorPhoneNetworkScanner.exe> ).

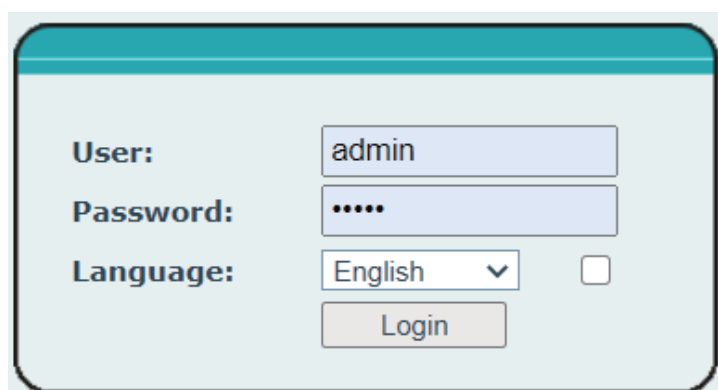


All	Number	IP	Model	MAC	Version	Description	Subnetmask	Gateway
<input type="checkbox"/>	1	172.18.19.31	W712	0e-38-34-39-69-d4	T0.0.7		255.255.255.0	172.18.19

## 5 Gateway setting

### Step 1: Log in to the device web page

Input IP address (e.g. <http://192.168.1.128>) into address bar of PC' s web browser.  
The default user name and password are both admin.,



User:

Password:

Language:

## Step 2: Add the SIP account.

Set SIP server address, port, user name, password and SIP user with assigned SIP account parameters. Select "Activate", and then click Apply to save this setting.

LINKVIL W712

Default password is in use. Please change English Logout (admin) Keep Online

SIP SIP Hotspot Action Plan Basic Settings RTPC-XR Hotspot Managed Extension

Line: 8206@SIP

Register Settings >>

Line Status: Registered

Username: admin

Display name:

Realm:

Activate:

Authentication User: 8206

Authentication Password: \*\*\*\*\*

Server Name:

SIP Server 1:

Server Address: 172.18.1.88

Server Port: 5060

Transport Protocol: UDP

Registration Expiration: 3600 second(s)

Proxy Server Address:

Proxy Server Port: 5060

Proxy User:

Proxy Password:

SIP Server 2:

Server Address:

Server Port: 5060

Transport Protocol: UDP

Registration Expiration: 3600 second(s)

Backup Proxy Server Address:

Backup Proxy Server Port: 5060

Basic Settings >>

Codecs Settings >>

Advanced Settings >>

SIP Global Settings >>

Apply

Current Software Version: T0.0.7  
Fanvil Technology Co., Ltd. (C)2022 All Rights Reserved.

**NOTE**  
Description:  
It shows phone registration account basic settings and sip account function advanced settings.

## Step 3: Set up the intercom channel

Set the parameters related to the channel related to the intercom, as shown below. Click "Submit", and intercom communication requires the same frequency and unique parameters

Type: analog channel or digital channel

Transmit frequency/Receive frequency: The intercom frequency of the call

Power: length of transmitting distance

Recv Sub / Send Sub Tone: analog channel specific parameters

Channel Spacing: analog channel specific parameters

Time Slot: Digital channel specific parameters

Colour Code: Digital channel specific parameters

LINKVIL W712

Default password is in use. Please change English

Intercom Settings

Intercom Parameter Settings

Type: Analog Channel

Transmission frequency: 400 125

Receiving Frequency: 400 125

power: Low

Recv Sub Tone: CTCSS 67.0

Send Sub Tone: CTCSS 67.0

Channel Spacing: 25K

Apply

Intercom Call Settings

Intercom Transfer Settings

Transfer SIP Number:

Intercom Call SIP Timeout: 2 (1~3600)second(s)

Call Detection

Voice Silence Check: 2000 (500~5000)millisecond

VAD Accuracy: 500 (100~500)millisecond

Voice Prompt

Answer Prompt:

Intercom Call Prompt:

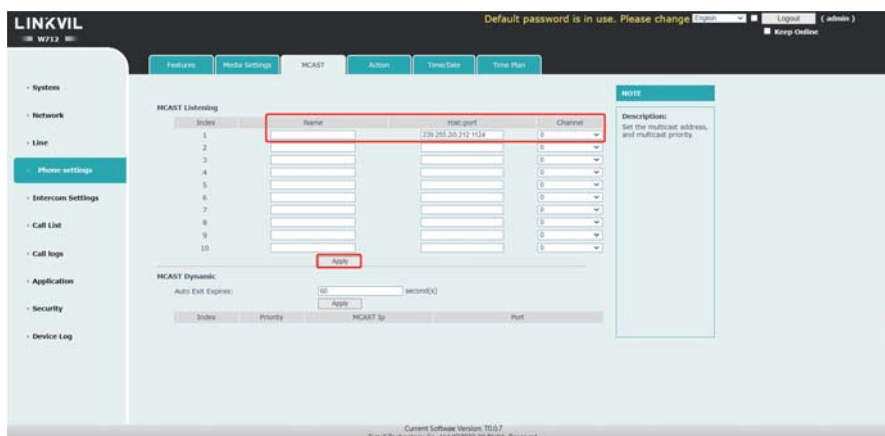
Apply

**NOTE**  
Description:  
Set the channel information, set the vad detection function and open the Sip terminal voice reminder.

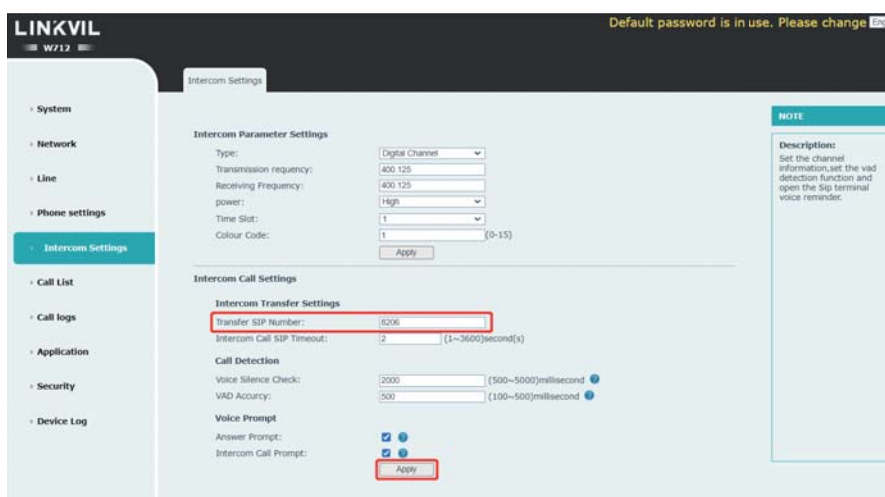
**Note:** The default transmitting power is low. You are advised to change it to high in normal use.

## Step 4: Set intercom parameters

To set the multicast address of the gateway:



Set an intercom call number. The intercom transfers the call to the corresponding phone when PTT is pressed. Other parameters are as follows:



## Step 5: Use of intercom functions:

### General mode call:

The IP phone dials the registered sip number of the gateway, and the gateway sets the same channel parameters as the intercom. When the IP phone speaks, the IP phone automatically forwards the call to the intercom. When the IP phone does not speak, the intercom presses the PTT key to automatically forwards the call to the IP phone

### Call in PTT mode:

Set the PTT key on the phone to the sip Settings number or multicast address registered on the gateway, set the channel parameters on the gateway to be the same as those on the intercom, set the intercom transfer number on the gateway, press the PTT key to automatically forward the call to the intercom, release the PTT key to end the intercom, and press the PTT key on the intercom to automatically call the number specified in the intercom transfer number. Then release the PTT key to end the intercom.

## Step 6: Application scenario

Serial number	Application scenarios	Intercom transmission distance (4W power)
1	Indoor building	Maximum 29 floors
2	Community	The maximum radius is 1500 meters
3	Open areas of the city	Maximum radius of 2900 meters

NOTE: This equipment has been tested and found to comply with the limits for a Class B digital device, pursuant to part 15 of the FCC Rules. These limits are designed to provide reasonable protection against harmful interference in a residential installation. This equipment generates, uses and can radiate radio frequency energy and, if not installed and used in accordance with the instructions, may cause harmful interference to radio communications. However, there is no guarantee that interference will not occur in a particular installation. If this equipment does cause harmful interference to radio or television reception, which can be determined by turning the equipment off and on, the user is encouraged to try to correct the interference by one or more of the following measures:

- Reorient or relocate the receiving antenna.
- Increase the separation between the equipment and receiver.
- Connect the equipment into an outlet on a circuit different from that to which the receiver is connected.
- Consult the dealer or an experienced radio/TV technician for help.

Changes or modifications not expressly approved by the party responsible for compliance could void the user's authority to operate the equipment.

This device complies with Part 15 of the FCC Rules. Operation is subject to the following two conditions:

(1) this device may not cause harmful interference, and (2) this device must accept any interference received, including interference that may cause undesired operation.

**RF Exposure Warning Statements:**

This equipment complies with FCC radiation exposure limits set forth for an uncontrolled environment. This equipment shall be installed and operated with minimum distance 24.3cm between the radiator & body.

**Responsible Party:**

Company name: Oasis Compliance, Inc.  
Address: 3313 Verdi Dr, San Jose, CA 95111, United States  
Tel: 2026028330  
E-mail: [info@oasis-compliance.com](mailto:info@oasis-compliance.com)

Fanvil Link Technology Co., LTD

Website: [www.fanvil.com](http://www.fanvil.com)

E-Mail: [sales@fanvil.com](mailto:sales@fanvil.com)    [support@fanvil.com](mailto:support@fanvil.com)

Tel: +86-755-2640-2199    Fax: +86-755-2640-2618

Add: 13th Floor, Building 2, Runzhi R&D Center, Xin'an Street,  
Bao'an District, Shenzhen, Guangdong, China