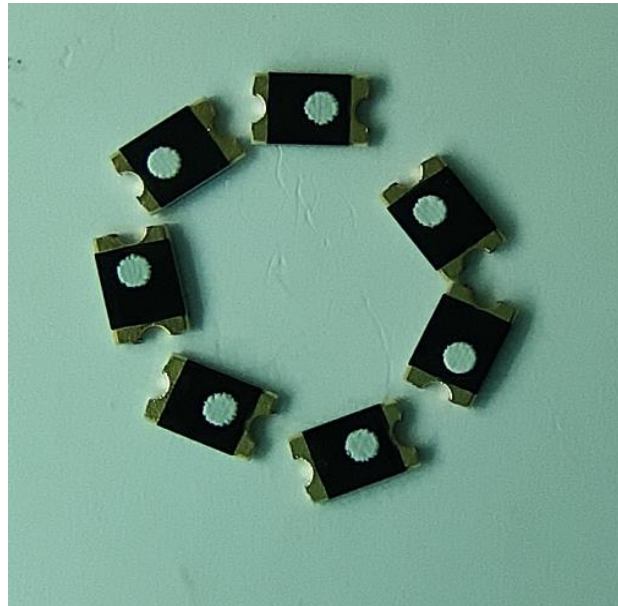


2.0X1.2X0.2 (mm) WiFi/Bluetooth Ceramic Chip Antenna (YF2012C) Engineering Specification

1. Product Number

YF	2012	F4	P	2G45	02
1	2	3	4	5	6



深圳市迎丰天线技术有限公司

SHEN ZHEN YINGFENG ANTENNA
TECHNOLOGYCO.,LTD

No. 412, Building 7, Phase 2, Nanhai Cloud Valley Innovation Park, Pingshan Road
2nd Block, Taoyuan Sub-district, Nanshan District, Shenzhen City

Prepared by : **JIEXI** Designed by : **Jason** Checked by : **Jason** Approved by : **MR.FANG**

TITLE : 2.0 x 1.2 x 0.6(mm) WiFi/Bluetooth Ceramic Chip Antenna (YF2012C) Engineering Specification	DOCUMENT NO.	YF2012F4P2G4502	REV. B
--	---------------------	------------------------	-------------------------

(1)Product Type	Chip Antenna
(2)Size Code	2.0x1.2mm
(3)Type Code	F4
(4)Packing	Paper &Reel
(5)Frequency	2.45GHz
(6)Internal code	02

2. Features

- *Stable and reliable in performances
- *Low temperature coefficient of frequency
- *Low profile, compact size
- *RoHS compliance
- *SMT processes compatible

3. Applications

- *Bluetooth earphone systems
- *Hand-held devices when WiFi /Bluetooth functions are needed, e.g., Smart phone.
- *IEEE802.11 b/g/n
- *ZigBee
- *Wireless PCMCIA cards or USB dongle

4. Description

Yingfeng chip antenna series are specially designed for WiFi/Bluetooth applications. Based on yingfeng proprietary design and processes, this chip antenna has excellent stability and sensitivity to consistently provide high signal reception efficiency.



深圳市迎丰天线技术有限公司
SHEN ZHEN YINGFENG ANTENNA
TECHNOLOGYCO.,LTD

No. 412, Building 7, Phase 2, Nanhai Cloud Valley Innovation Park, Pingshan Road 2nd Block, Taoyuan Sub-district, Nanshan District, Shenzhen City

Prepared by : **JIEXI**

Designed by : **Jason**

Checked by : **Jason**

Approved by : **MR.FANG**

**TITLE : 2.0 x 1.2 x 0.6(mm) WiFi/Bluetooth Ceramic Chip
Antenna (YF2012C) Engineering Specification**

**DOCUMENT
NO.**

YF2012F4P2G4502

**REV.
B**

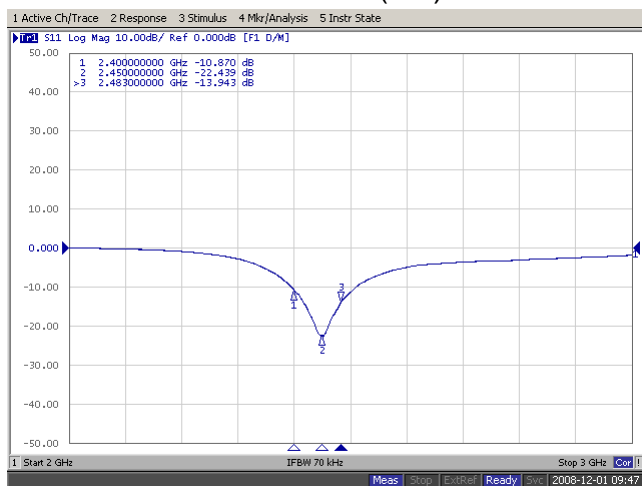
5. Electrical Specifications (80 x 40 mm² ground plane)

5-1. Electrical Table

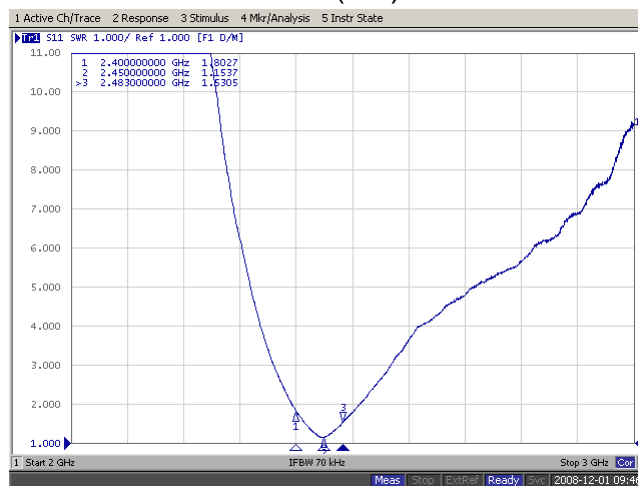
Characteristics		Specifications	Unit
Outline Dimensions		2.0x1.2x0.2	mm
Working Frequency		2400~2500	MHz
VSWR		2 Max.	
Impedance		50	Ω
Polarization		Linear Polarization	
Gain	Peak	2.5 (typical)	dBi
	Efficiency	75 (typical)	%

5-2. Return Loss & VSWR

Return Loss (S₁₁)



VSWR(S₁₁)



6. Antenna Dimensions & Test Board (unit: mm)



深圳市迎丰天线技术有限公司

SHEN ZHEN YINGFENG ANTENNA
TECHNOLOGY CO., LTD

No. 412, Building 7, Phase 2, Nanhai Cloud Valley Innovation Park, Pingshan Road
2nd Block, Taoyuan Sub-district, Nanshan District, Shenzhen City

Prepared by : JIEXI

Designed by : Jason

Checked by : Jason

Approved by : MR.FANG

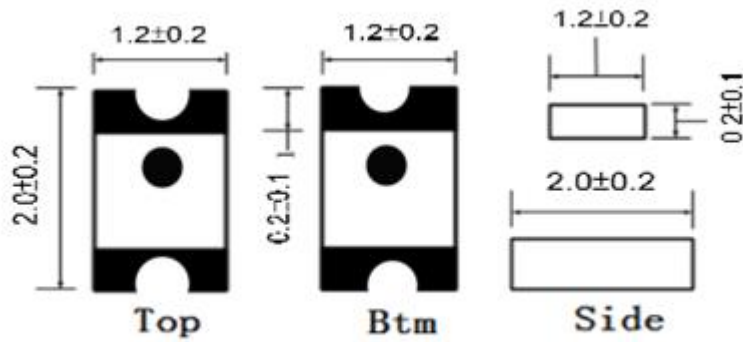
TITLE : 2.0 x 1.2 x 0.6(mm) WiFi/Bluetooth Ceramic Chip
Antenna (YF2012C) Engineering Specification

DOCUMENT
NO.

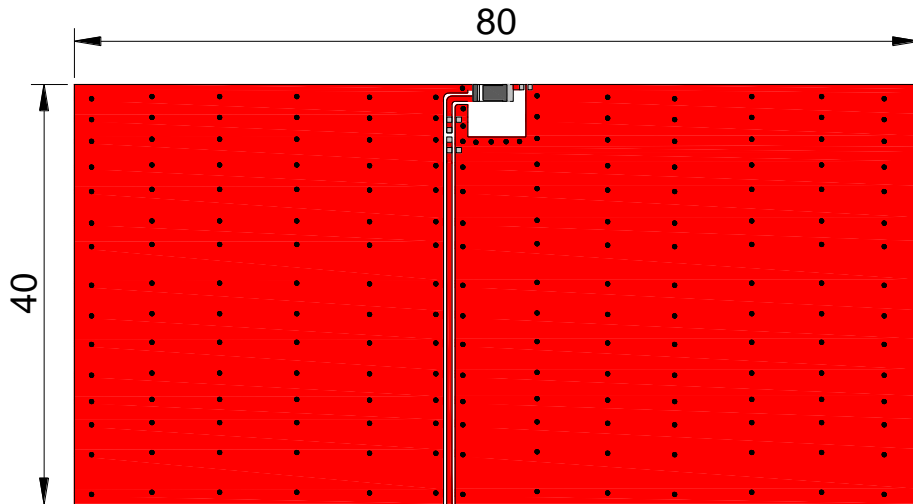
YF2012F4P2G4502

REV.
B

a. Antenna Dimensions



b. Test Board with Antenna



Unit: mm

7. Radiation Pattern (80 x 40 mm² ground plane)



深圳市迎丰天线技术有限公司

SHEN ZHEN YINGFENG ANTENNA
TECHNOLOGY CO., LTD

No. 412, Building 7, Phase 2, Nanhai Cloud Valley Innovation Park, Pingshan Road
2nd Block, Taoyuan Sub-district, Nanshan District, Shenzhen City

Prepared by : JIEXI

Designed by : Jason

Checked by : Jason

Approved by : MR.FANG

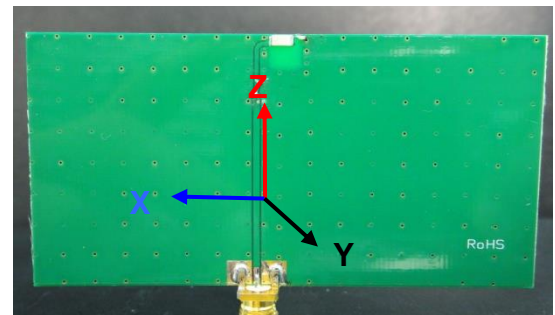
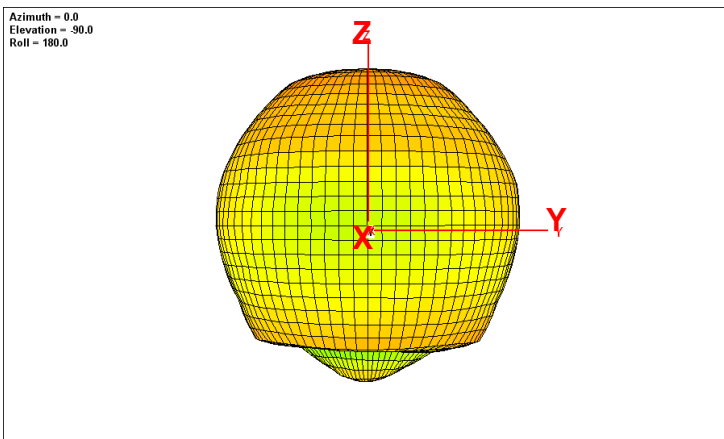
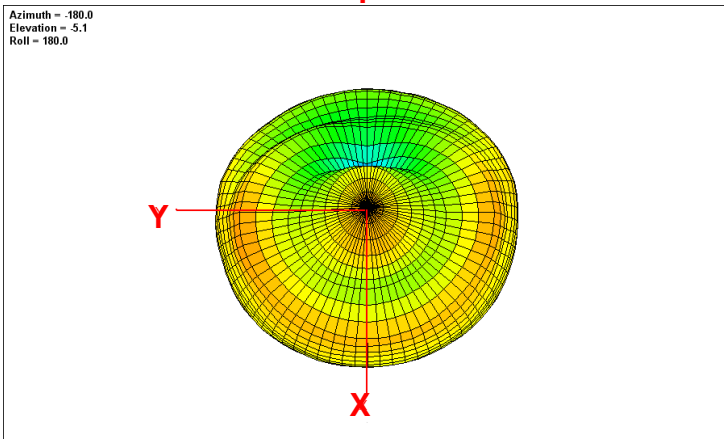
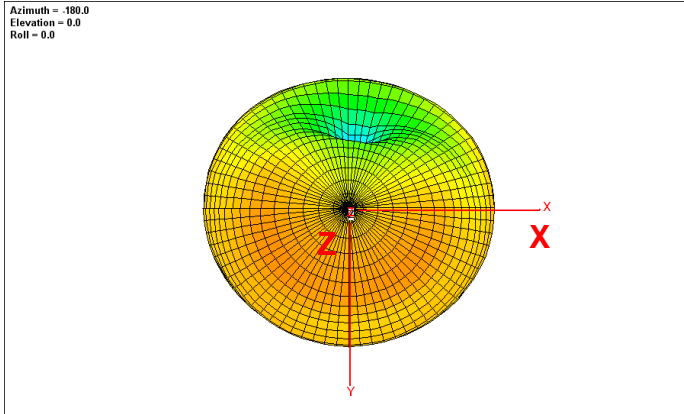
TITLE : 2.0 x 1.2 x 0.6(mm) WiFi/Bluetooth Ceramic Chip
Antenna (YF2012C) Engineering Specification

DOCUMENT
NO.

YF2012F4P2G4502

REV.
B

7-1. 3D Gain Pattern @ 2442 MHz



深圳市迎丰天线技术有限公司

SHEN ZHEN YINGFENG ANTENNA
TECHNOLOGYCO.,LTD

No. 412, Building 7, Phase 2, Nanhai Cloud Valley Innovation Park, Pingshan Road
2nd Block, Taoyuan Sub-district, Nanshan District, Shenzhen City

Prepared by : **JIEXI**

Designed by : **Jason**

Checked by : **Jason**

Approved by : **MR.FANG**

**TITLE : 2.0 x 1.2 x 0.6(mm) WiFi/Bluetooth Ceramic Chip
Antenna (YF2012C) Engineering Specification**

**DOCUMENT
NO.**

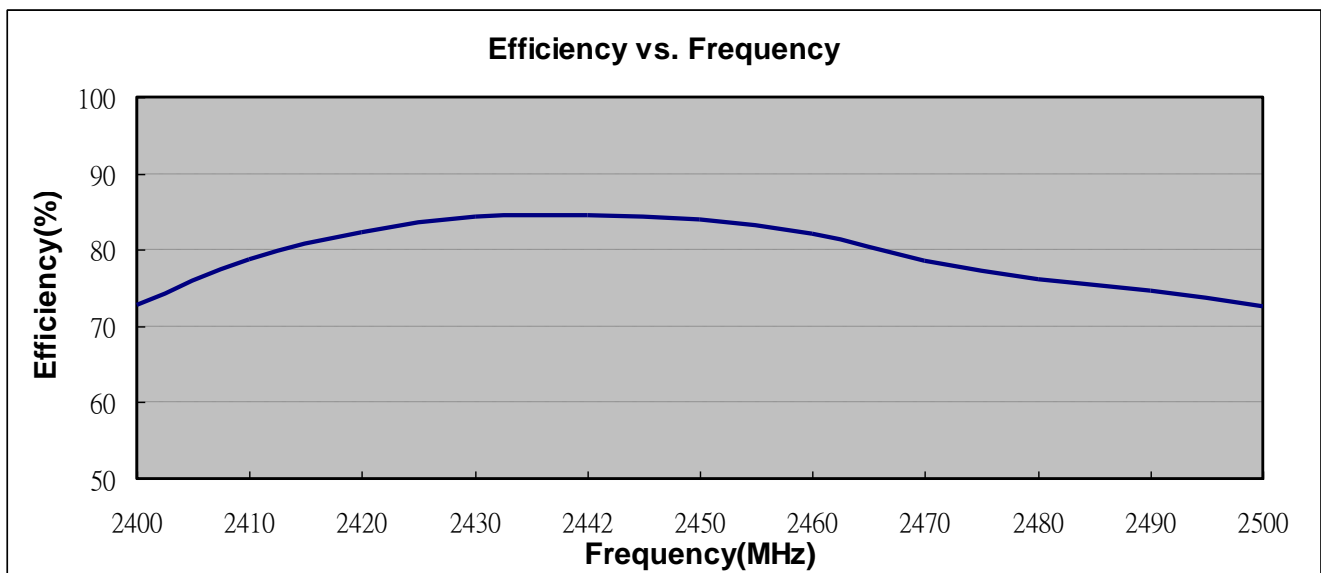
YF2012F4P2G4502

**REV.
B**

7-2. 3D Efficiency Table

Frequency(MHz)	2400	2410	2420	2430	2442	2450	2460	2470	2480	2490	2500
Efficiency (dB)	-1.4	-1.0	-0.9	-0.7	-0.7	-0.8	-0.9	-1.1	-1.2	-1.3	-1.4
Efficiency (%)	72.8	73.7	74.3	74.4	75.5	75.0	74.0	73.6	73.1	72.6	71.5
Gain (dBi)	2.1	2.2	2.3	2.4	2.5	2.5	2.4	1.8	1.7	1.6	1.4

7-3. 3D Efficiency vs. Frequency



8. Layout Guide

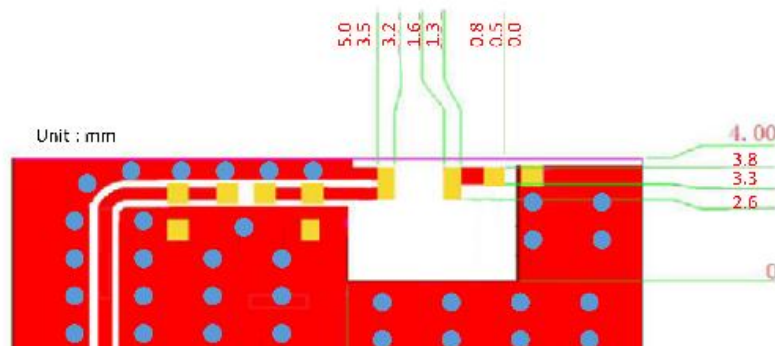
a. Solder Land Pattern:

Land pattern for soldering (gray marking areas) is as shown below. Depending on Customer's requirement, matching circuit as shown below is also recommended.

2). PCB Top View :



Type1 :



Prepared by

TITLE : 2.C
An

FANG

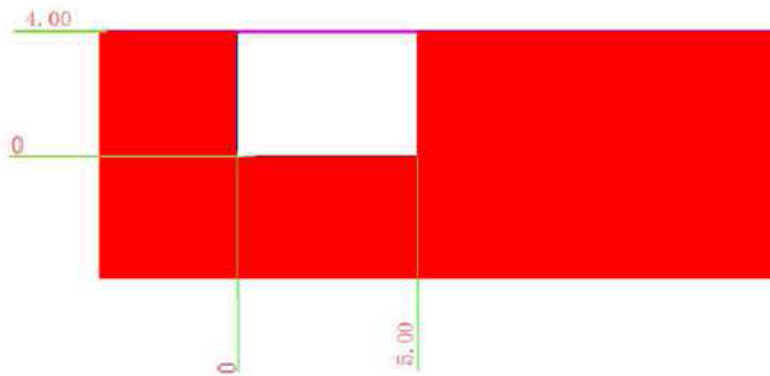
REV.

B

2

Top View

Unit: mm



Bottom View

Unit : mm



深圳市迎丰天线技术有限公司

SHEN ZHEN YINGFENG ANTENNA
TECHNOLOGYCO.,LTD

No. 412, Building 7, Phase 2, Nanhai Cloud Valley Innovation Park, Pingshan Road
2nd Block, Taoyuan Sub-district, Nanshan District, Shenzhen City

Prepared by : **JIEXI**

Designed by : **Jason**

Checked by : **Jason**

Approved by : **MR.FANG**

**TITLE : 2.0 x 1.2 x 0.6(mm) WiFi/Bluetooth Ceramic Chip
Antenna (YF2012C) Engineering Specification**

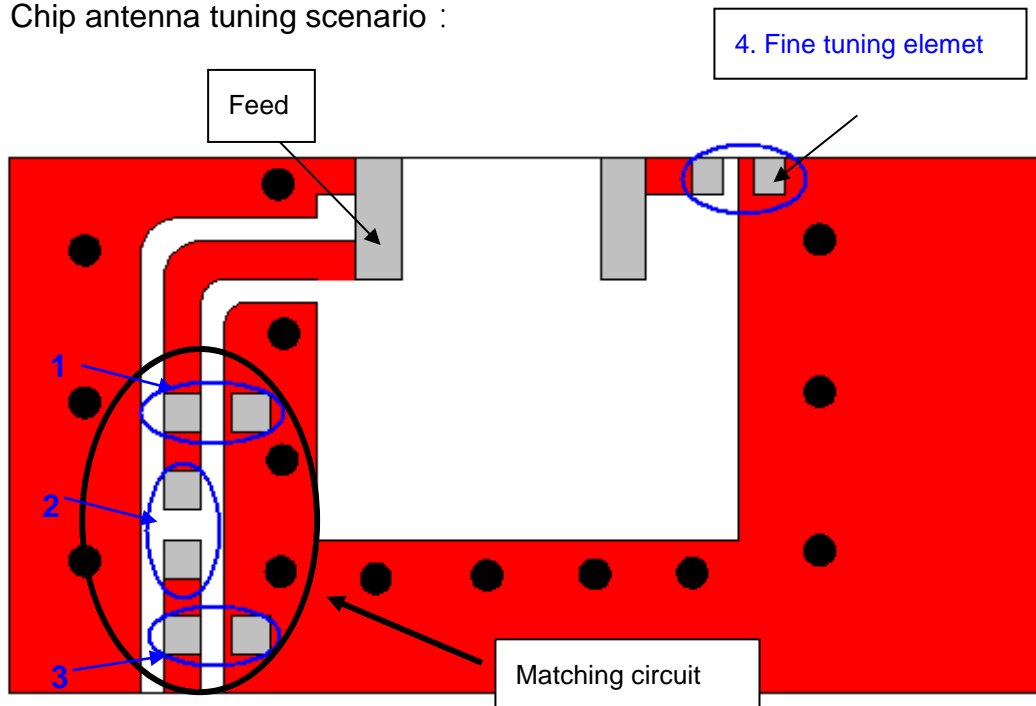
**DOCUMENT
NO.**

YF2012F4P2G4502

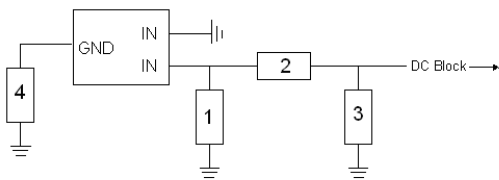
**REV.
B**

9. Frequency tuning

a. Chip antenna tuning scenario :



b. Matching circuit : (Center frequency is about 2442 MHz @ 80 x 40 mm² ground plane)



System Matching Circuit Component			
Location	Description	Vendor	Tolerance
1	1.2 pF*	Murata (0402)	±0.1 pF
2	10PF*	Murata(0402)	±0.5 PF
3	N/A*	-	-
Fine tuning element 4	1.5 pF*	Murata (0402)	±0.1 pF

*Typical reference values which may need to be changed when circuit boards or part vendors are different.



深圳市迎丰天线技术有限公司

SHEN ZHEN YINGFENG ANTENNA
TECHNOLOGY CO., LTD

No. 412, Building 7, Phase 2, Nanhai Cloud Valley Innovation Park, Pingshan Road
2nd Block, Taoyuan Sub-district, Nanshan District, Shenzhen City

Prepared by : JIEXI

Designed by : Jason

Checked by : Jason

Approved by : MR.FANG

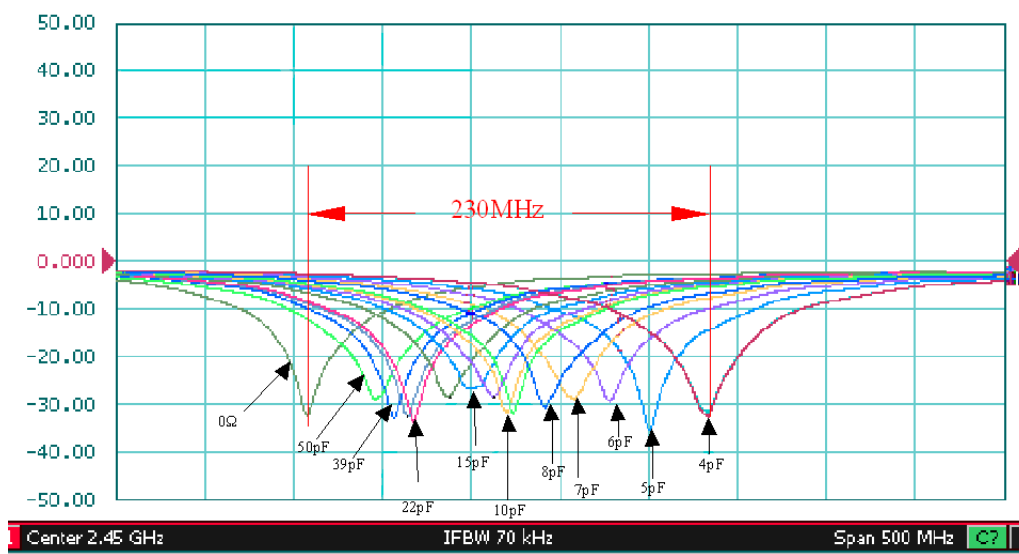
TITLE : 2.0 x 1.2 x 0.6(mm) WiFi/Bluetooth Ceramic Chip
Antenna (YF2012C) Engineering Specification

DOCUMENT
NO.

YF2012F4P2G4502

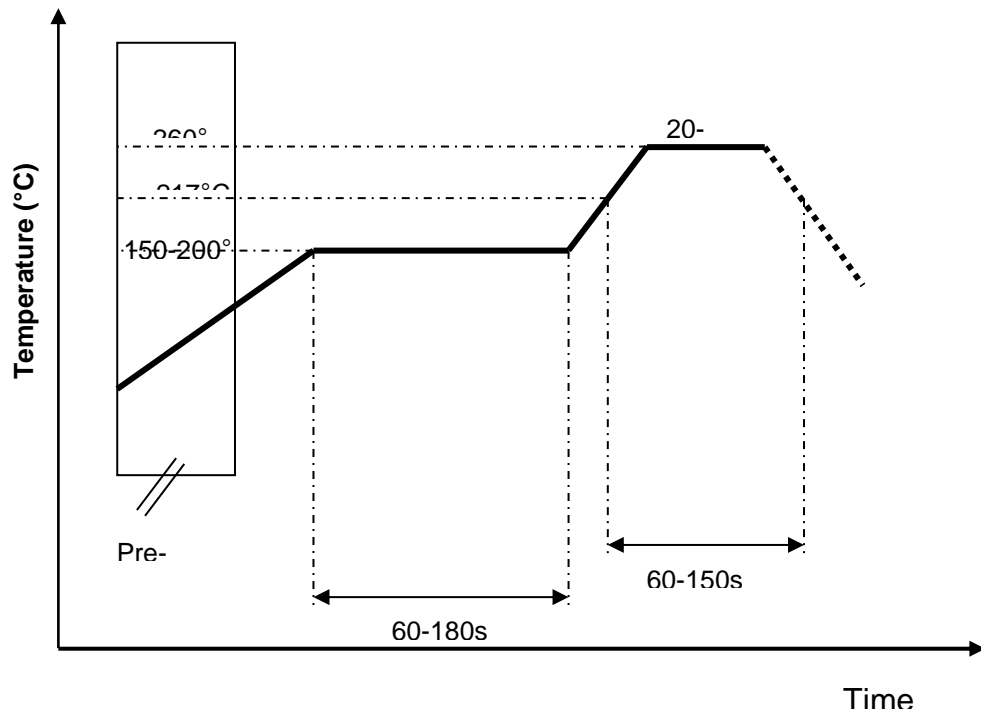
REV.
B

c. Fine tuning element vs. Center frequency



10. Soldering Conditions

a. Typical Soldering Profile for Lead-free Process



深圳市迎丰天线技术有限公司

SHEN ZHEN YINGFENG ANTENNA TECHNOLOGY CO., LTD

No. 412, Building 7, Phase 2, Nanhai Cloud Valley Innovation Park, Pingshan Road 2nd Block, Taoyuan Sub-district, Nanshan District, Shenzhen City

Prepared by : JIEXI

Designed by : Jason

Checked by : Jason

Approved by : MR.FANG

TITLE : 2.0 x 1.2 x 0.6(mm) WiFi/Bluetooth Ceramic Chip Antenna (YF2012C) Engineering Specification

DOCUMENT NO.

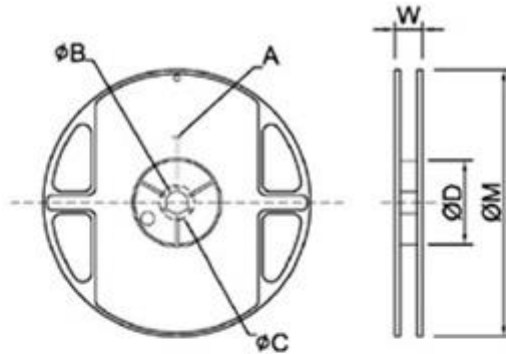
YF2012F4P2G4502

REV. B

11. Packing

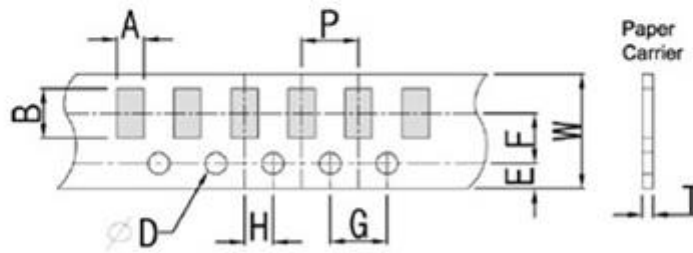
- (1) Quantity/Reel: 6000 pcs/Reel
- (2) Plastic tape:

Reel Specification



TYPE	SIZE	A	φ B	φ C	φ D	W	φ M
2012	7"	6K/Reel	2.0±0.5	13.5±1.0	21±1.0	60±1.0	11.5±2.0

Tapping Specification



Packaging	Type	A	B	W	E	F	G	H	T	φ D	P
Paper Type	3216	1.90±0.20	3.50±0.20	8.0±0.20	1.75±0.10	3.5±0.05	4.0±0.10	2.0±0.05	0.75±0.10	1.50 +0.10 -0	4.0±0.1



深圳市迎丰天线技术有限公司

SHEN ZHEN YINGFENG ANTENNA
TECHNOLOGYCO.,LTD

No. 412, Building 7, Phase 2, Nanhai Cloud Valley Innovation Park, Pingshan Road
2nd Block, Taoyuan Sub-district, Nanshan District, Shenzhen City

Prepared by : JIEXI

Designed by : Jason

Checked by : Jason

Approved by : MR.FANG

TITLE : 2.0 x 1.2 x 0.6(mm) WiFi/Bluetooth Ceramic Chip
Antenna (YF2012C) Engineering Specification

DOCUMENT
NO.

YF2012F4P2G4502

REV.
B

Reliability Table

Test Item	Procedure	Requirements Ceramic Type	Remark (Reference)
Electrical Characterization		Fulfill the electrical specification	User Spec.
Thermal Shock	1. Preconditioning: $50 \pm 10^{\circ}\text{C}$ / 1 hr, then keep for 24 ± 1 hrs at room temp. 2. Initial measure: Spec: refer Initial spec. 3. Rapid change of temperature test -30°C to $+85^{\circ}\text{C}$; 100 cycles; 15 minutes at Lower category temperature; 15 minutes at Upper category temperature.	No Visible Damage. Fulfill the electrical specification.	MIL-STD-202 107
Temperature Cycling	1. Initial measure: Spec: refer Initial spec. 2. 100 Cycles (-30°C to $+85^{\circ}\text{C}$), Soak Mode=1 (2 Cycle/hours). 3. Measurement at 24 ± 2 Hours after test condition.	No Visible Damage. Fulfill the electrical specification.	JESD22 JA104
High Temperature Exposure	1. Initial measure: Spec: refer Initial spec. 2. Unpowered; 500hours @ $T=+85^{\circ}\text{C}$. 3. Measurement at 24 ± 2 hours after test.	No Visible Damage. Fulfill the electrical specification.	MIL-STD-202 108
Low Temperature Storage	1. Initial measure: Spec: refer Initial spec. 2. Unpowered; 500hours @ $T= -30^{\circ}\text{C}$. 3. Measurement at 24 ± 2 hours after test.	No Visible Damage. Fulfill the electrical specification.	MIL-STD-202 108
Solderability (SMD Bottom Side)	Dipping method: a. Temperature: $235 \pm 5^{\circ}\text{C}$ b. Dipping time: $3 \pm 0.5\text{s}$	The solder should cover over 95% of the critical area of bottom side.	IEC 60384-21/22 4.10
Soldering Heat Resistance (RSH)	Preheating temperature: $150 \pm 10^{\circ}\text{C}$. Preheating time: 1~2 min. Solder temperature: $260 \pm 5^{\circ}\text{C}$. Dipping time: $5 \pm 0.5\text{s}$	No Visible Damage.	IEC 60384-21/22 4.10
Vibration	5g's for 20 min., 12 cycles each of 3 orientations Note: Use 8"x5" PCB .031" thick 7 secure points on, one long side and 2 secure points at corners of opposite sides. Parts mounted within 2" from any secure point. Test from 10-2000 Hz.	No Visible Damage.	MIL-STD-202 Method 204
Mechanical Shock	Three shocks in each direction shall be applied along the three mutually perpendicular axes of the test specimen (18 shocks) Peak value: 1,500g's Duration: 0.5ms Velocity change: 15.4 ft/s Waveform: Half-sine	No Visible Damage.	MIL-STD-202 Method 213
Humidity Bias	1. Humidity: 85% R.H., Temperature: $85 \pm 2^{\circ}\text{C}$. 2. Time: 500 ± 24 hours. 3. Measurement at 24 ± 2 hrs after test condition.	No Visible Damage. Fulfill the electrical specification.	MIL-STD-202 Method 106



深圳市迎丰天线技术有限公司

SHEN ZHEN YINGFENG ANTENNA
TECHNOLOGY CO., LTD

No. 412, Building 7, Phase 2, Nanhai Cloud Valley Innovation Park, Pingshan Road
2nd Block, Taoyuan Sub-district, Nanshan District, Shenzhen City

Prepared by : JIEXI

Designed by : Jason

Checked by : Jason

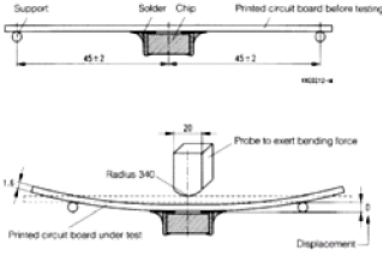
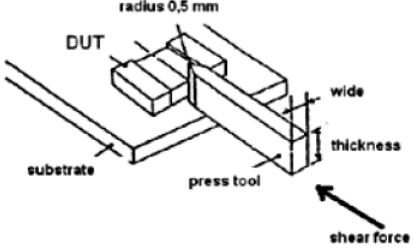
Approved by : MR.FANG

TITLE : 2.0 x 1.2 x 0.6(mm) WiFi/Bluetooth Ceramic Chip
Antenna (YF2012C) Engineering Specification

DOCUMENT
NO.

YF2012F4P2G4502

REV.
B

Board Flex (SMD)	<p>1. Mounting method: IR-Reflow. PCB Size (L:100 × W:40 × T:1.6mm)</p> <p>2. Apply the load in direction of the arrow until bending reaches 2 mm.</p> 	No Visible Damage.	AEC-Q200 005
Adhesion	<p>Force of 1.8Kg for 60 seconds.</p> 	No Visible Damage Magnification of 20X or greater may be employed for inspection of the mechanical integrity of the device body terminals and body/terminal junction.	AEC-Q200 006
Physical Dimension	<p>Any applicable method using x10 magnification, micrometers, calipers, gauges, contour projectors, or other measuring equipment, capable of determining the actual specimen dimensions.</p>	In accordance with specification.	JESD22 JB100

Revision History

Revision	Date	Content
1	2015/8/20	New issue
2	2017/4/20	Update detail dimension on antenna layout
3	2018/3/1	Part number and coding rule updated



深圳市迎丰天线技术有限公司

SHEN ZHEN YINGFENG ANTENNA
TECHNOLOGYCO.,LTD

No. 412, Building 7, Phase 2, Nanhai Cloud Valley Innovation Park, Pingshan Road
2nd Block, Taoyuan Sub-district, Nanshan District, Shenzhen City

Prepared by : **JIEXI**

Designed by : **Jason**

Checked by : **Jason**

Approved by : **MR.FANG**

**TITLE : 2.0 x 1.2 x 0.6(mm) WiFi/Bluetooth Ceramic Chip
Antenna (YF2012C) Engineering Specification**

**DOCUMENT
NO.**

YF2012F4P2G4502

**REV.
B**