

Shenzhen New Link Technology Co.,Ltd

Sample specification

ANTENNA APPROVAL SHEET

Customer: Chen Zhan

Item: TBX-100

P / N	5170070816F2 3900900008F0	examine	Peng Li
Radio frequency engineer	Kong xianghua	Structural engineer	Yang Hai
address	Fifth Floor, Office Building, Fifth Industrial Zone, North District, High-tech Park, Nanshan District, Shenzhen		
telephone	13902948715	website	www.kpantenna.com
The company mailbox	sales@kpanenna.com	contacts	Peng Li

1.Overview

Project: TBX-100	Zhang Hai Dong	Chen Zhan-TBX-100 antenna specification book
Date: 2024.06.28		
Revision V2.1	<u>Lipeng</u>	
Mould		
Confidential		Not Spread

This report mainly describes the performance of the antenna. The antenna frequency range of the TBX-100 project is WIFI antenna frequency: 2.4-2.5GHz,5.15-5.85GHz, and the antenna is located outside the machine

2.detailed introduction

2.1building-out circuit (The match is not changed)

3.Debugging Settings

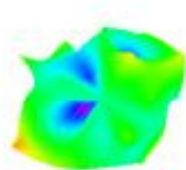
Emission power (TX Power) and reception sensitivity (RX Sensitivity) The mission power and reception sensitivity are 3D results measured using CMW500 in a microwave dark chamber (6m * 3m * 3m)

3.1 TRP、TIS

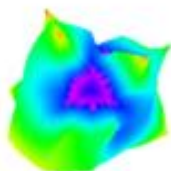
WIFI Antenna data

Frequency (MHz)	2400	2450	2480	5150	5550	5850
Gain (dBi)	-7.15	-7.42	-7.18	-5.36	-5.78	-5.23
Frequency (MHz)	2400	2450	2480	5150	5550	5850
Efficiency(%)	6.42	7.28	7.15	9.75	10.27	8.54

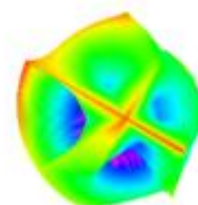
2400.000MHz
2450.000MHz
2480.000MHz



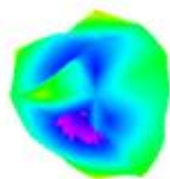
2400.000MHz



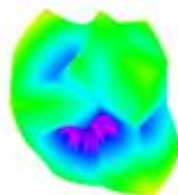
2450.000MHz



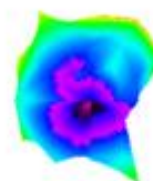
2480.000MHz



5150.000MHz



5550.000MHz



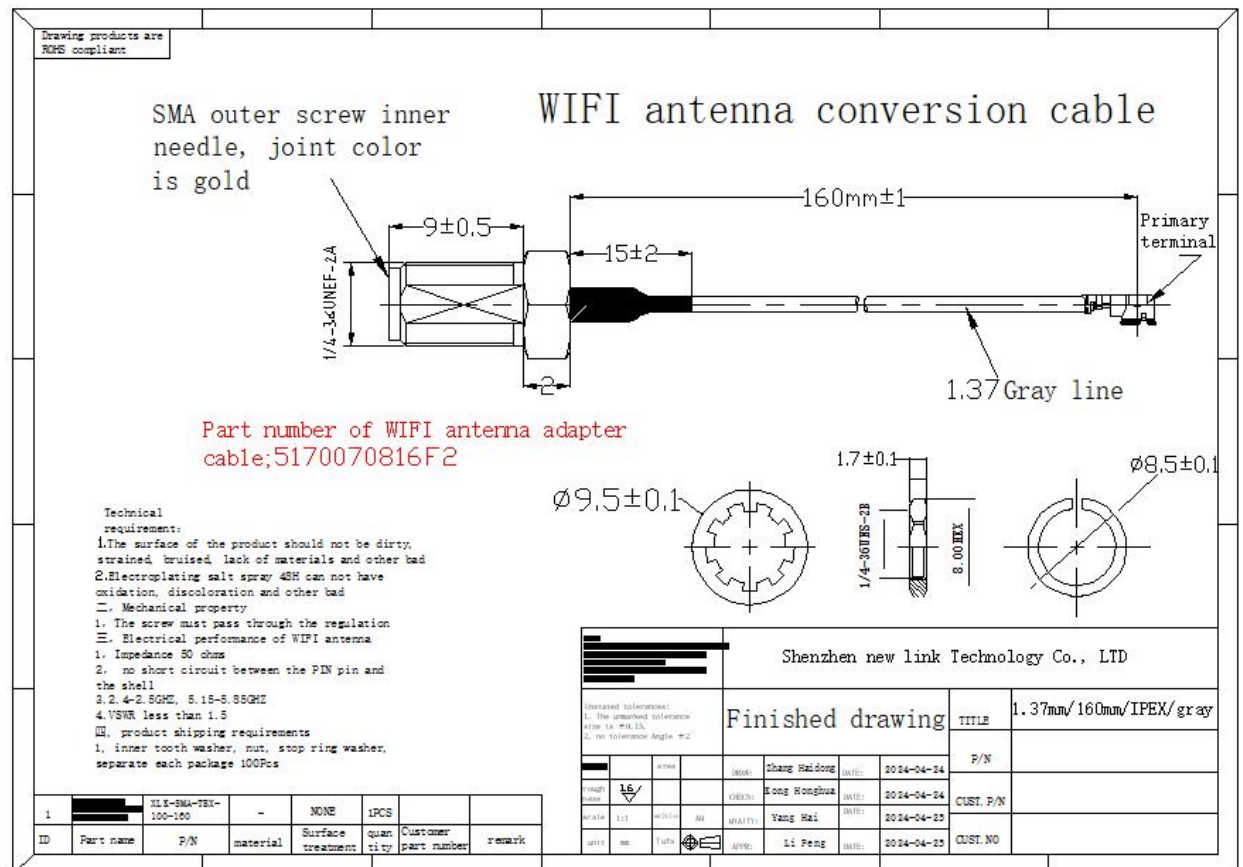
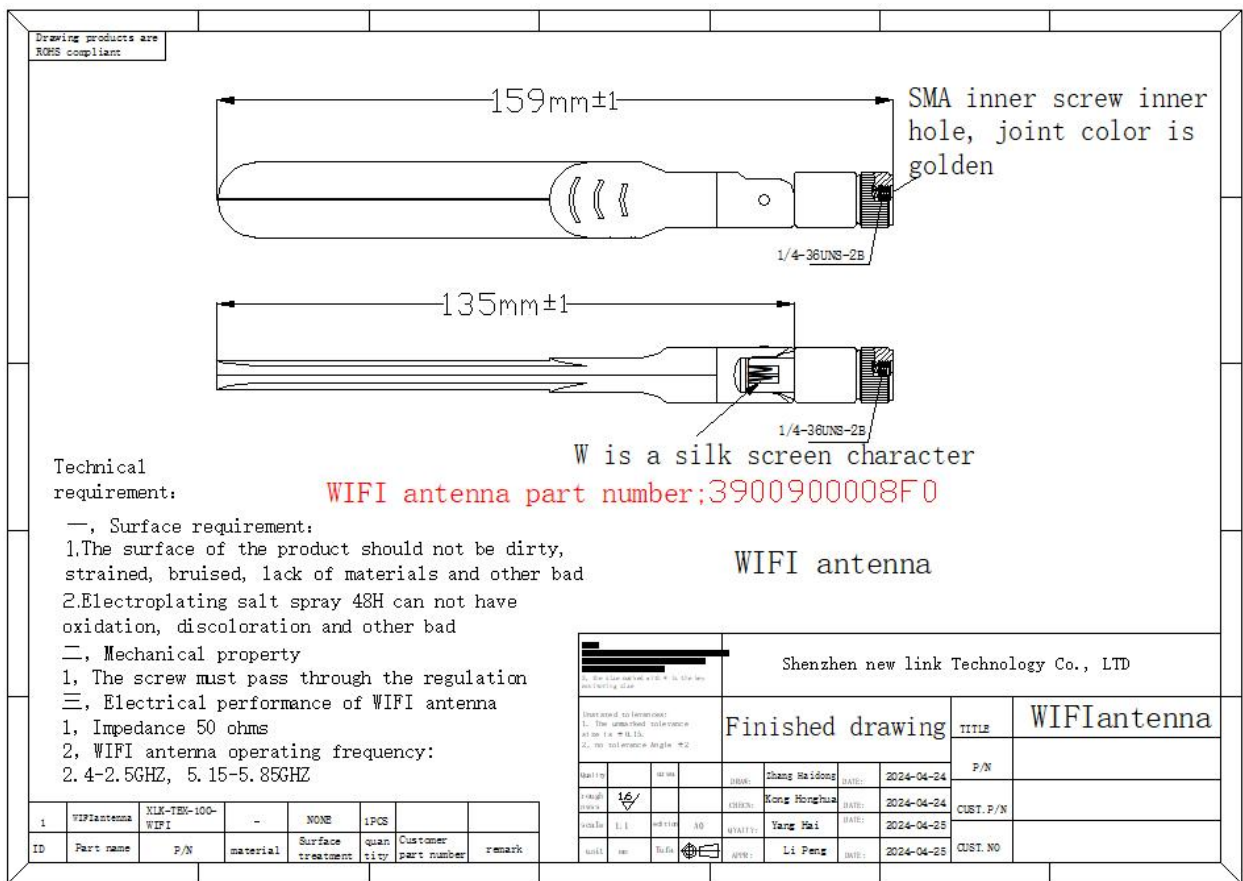
5850.000MHz

3.3.Environmental treatment

No change

4. assumption diagram

Project: TBX-100		Zhang hai	Chen Zhan-TBX-100 antenna specification book
Date: 2024.06.28		png	
Revision	V2.1	Lipeng	
Mould			
CONFIDENTIAL			
Brotone.com			



Project: TBX-100	Zhang hai	Chen Zhan-TBX-100 antenna specification book
Date: 2024.06.28	png	
Revision V2.1	Lipeng	
Mould		

5、Salt mist detection report

Handset Model	TBX-100			Tested Quantity	5PCS		
Standard	GB2423.17			Product material	PCB+ABS+SMA		
Tested Items	Required Standard	Actual value	Result	Tested Items	Required Standard	Actual value	Result
Tester Model	KD-60	KD-60	OK	Tested Period	24H	24H	OK
Salt Fog Test Type	NSS Neutral NSS	NSS Neutral NSS	OK	Salt Fog Box Temperature	35° C	35°C	OK
Salt PH	6.5-7.2	6.8	OK	amount of precipitation of Salt fog (H. 80C)	1-2ml	1.8ml	OK
Fog spit type	Continued fog	Continued fog	OK	Material	FPC	FPC	OK
Volume of salt	5%/NaCL	5%/NaCL	OK	Compressed air pressure	1±0.1KG/CM ²	1	OK
saturated temperature	47° C	47°C	OK	Sample location angel	90°	90°	OK
Observed Period	Observed phenomenon						
4H	NA						
12H	NA						
24H	NA						
Judged Standard: Judged by the method of GB5944-86, over Level 9 is qualified.							
Final Tested Result	Qualified ✓			Unqualified			
Tested by	Benyuan He	Supervised by	Aibing Wang	Approved by			
Remark: normal salt fog tested methods is NSS,AASS and CASS.							
Project: TBX-100	Zhang hai		Chen Zhan-TBX-100 antenna specification book				
Date: 2024.06.28	png						
Revision	V2.1	Lipeng					
Mould							
CONFIDENTIAL							
Brotone.com							

delivery mode

Material category	Packing method	
PCB+ABS+SMA	1、 PET plastic bag packaging	

Note: Please store this product in low temperature, low humidity (temperature 18-28°C, humidity 35% -75% RH) without corrosive gas, and it is recommended to use it within one week after opening the bag

Project: TBX-100	Zhang hai	Chen Zhan-TBX-100 antenna specification book
Date: 2024.06.28	png	
Revision V2.1	<u>Lipeng</u>	
Mould		
CONFIDENTIAL Brotone.com		