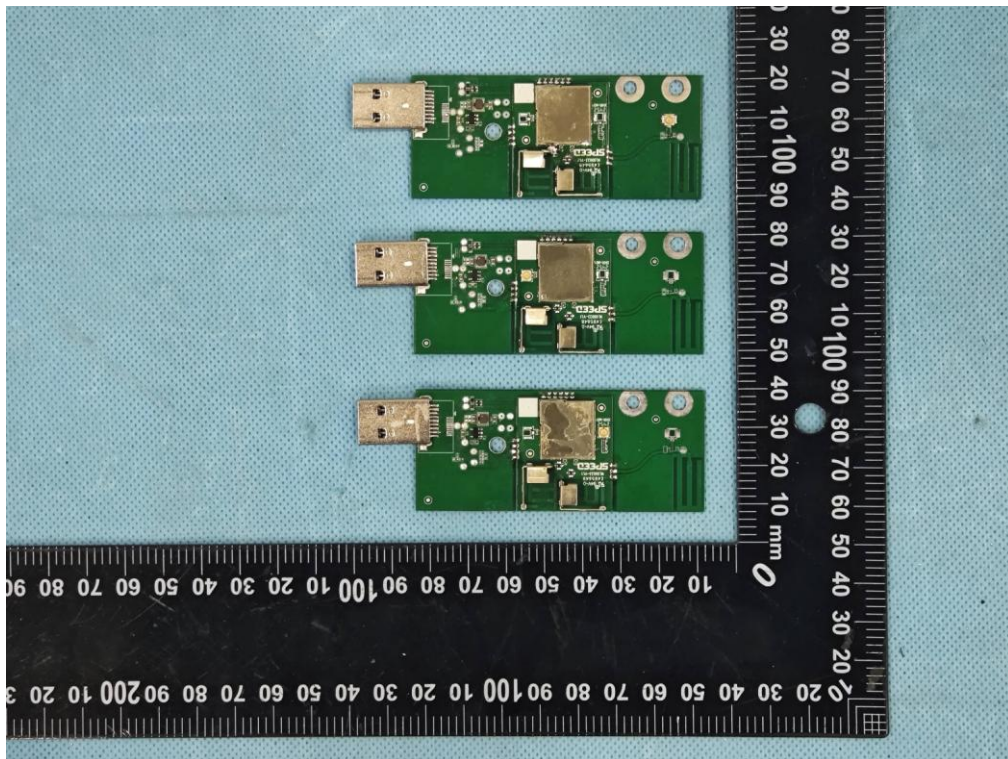
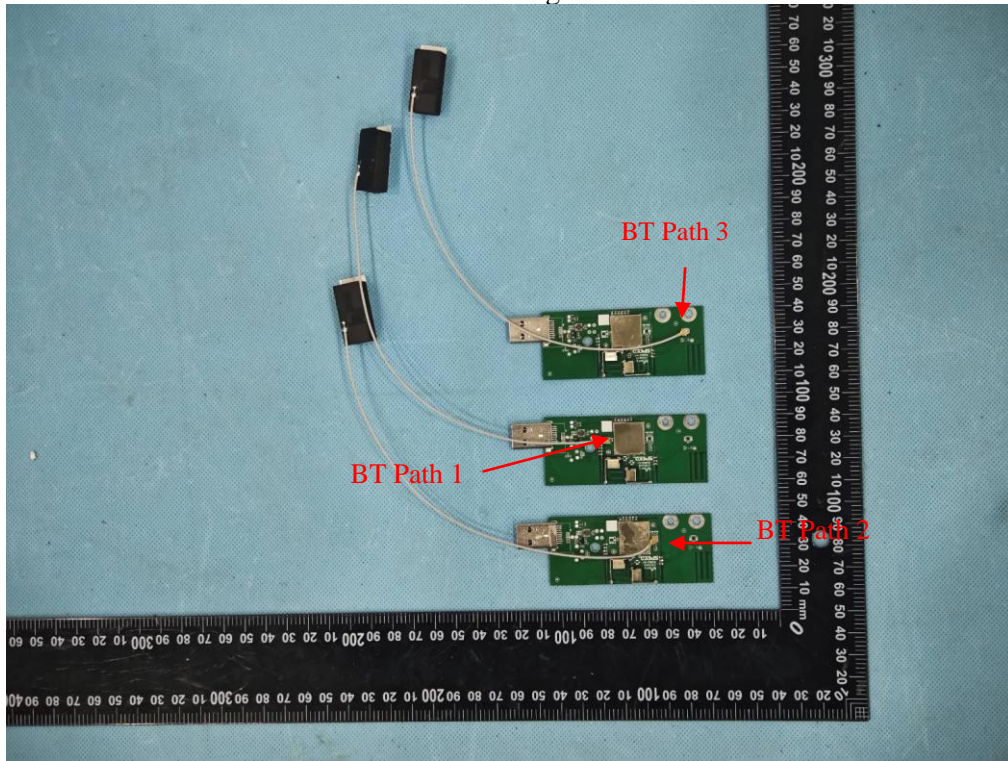
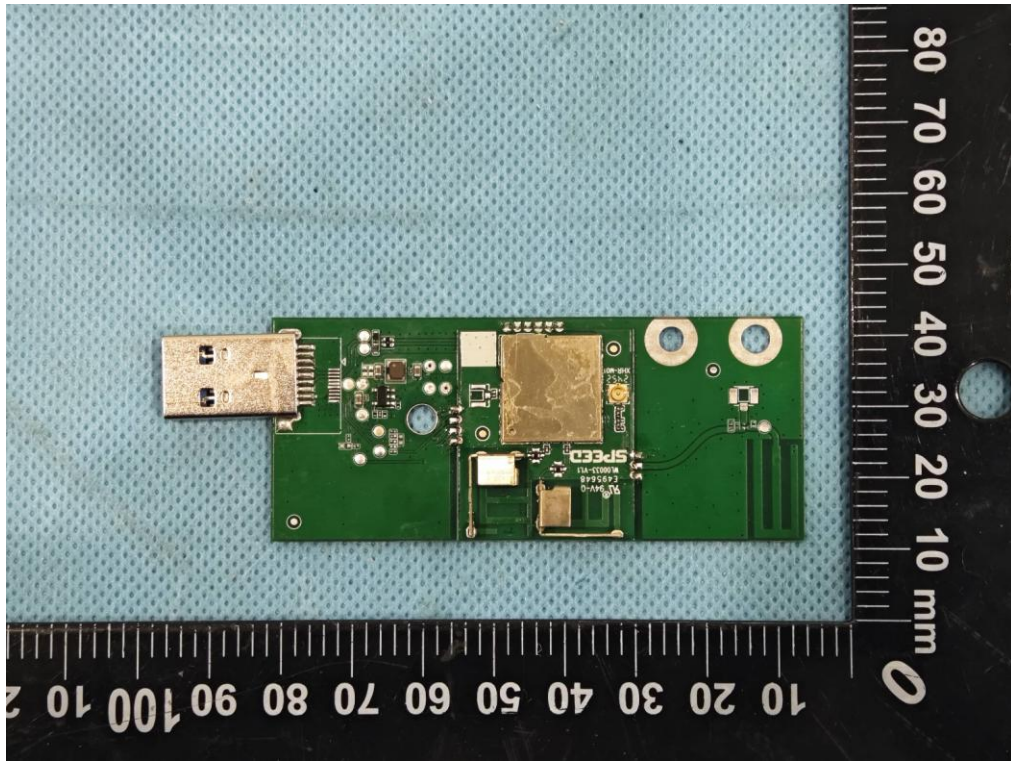


# EUT EXTERNAL PHOTOGRAPHS

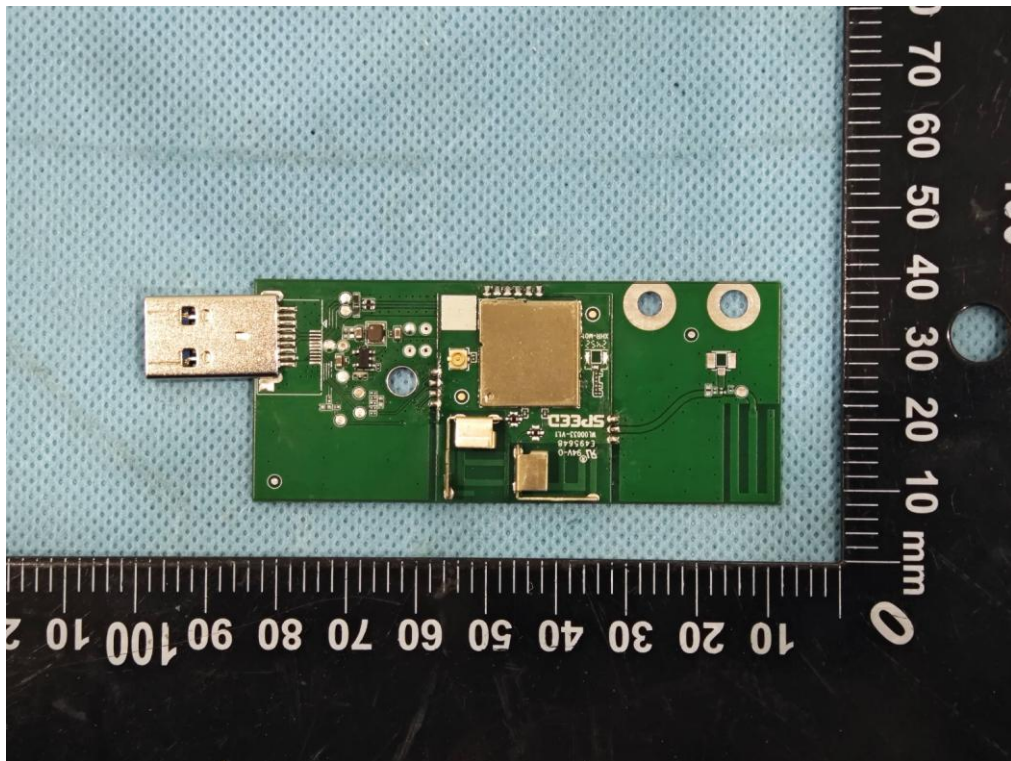
EUT on debug board



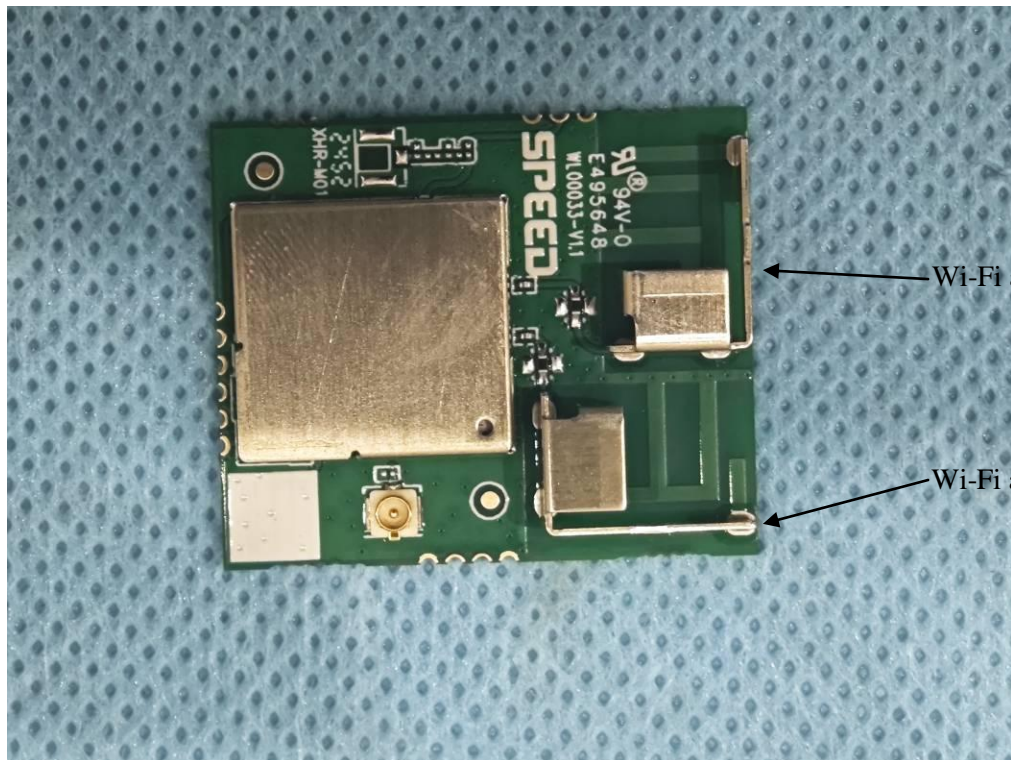
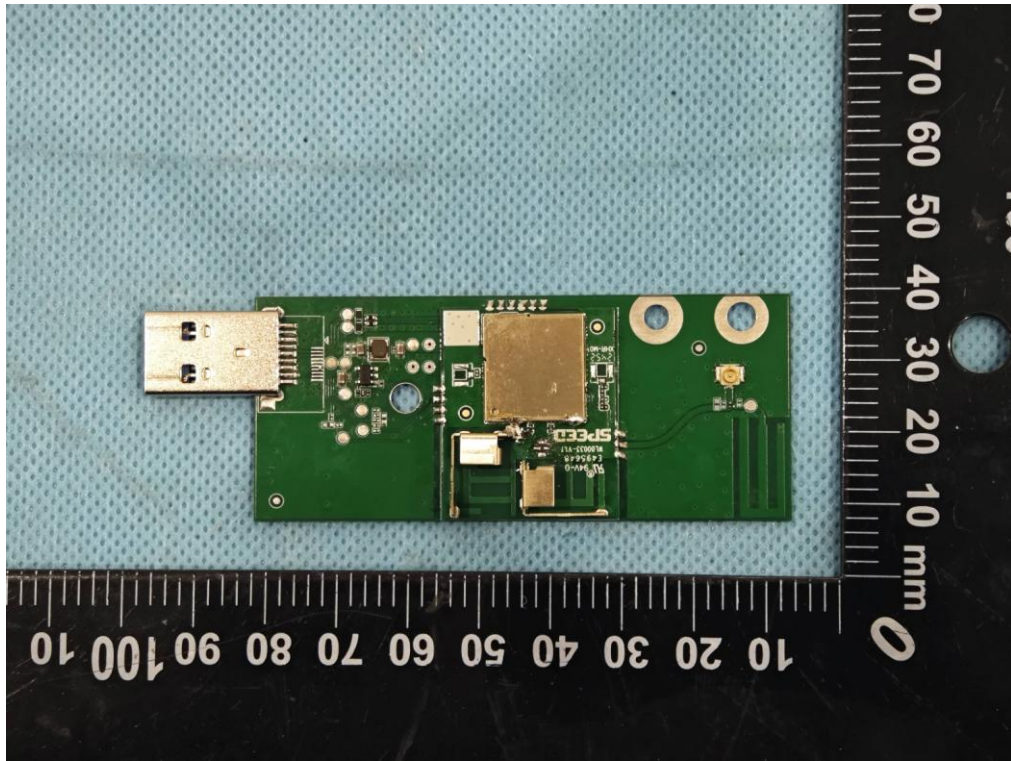
BT Path 1

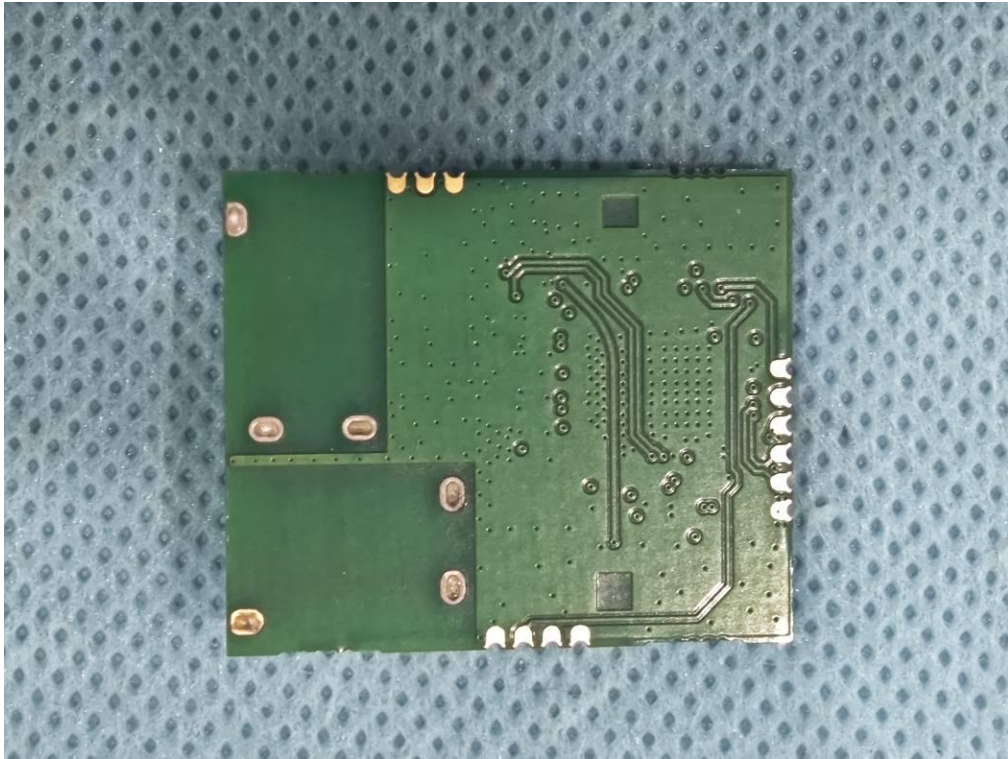


BT Path 2



BT Path 3





BT Antenna

