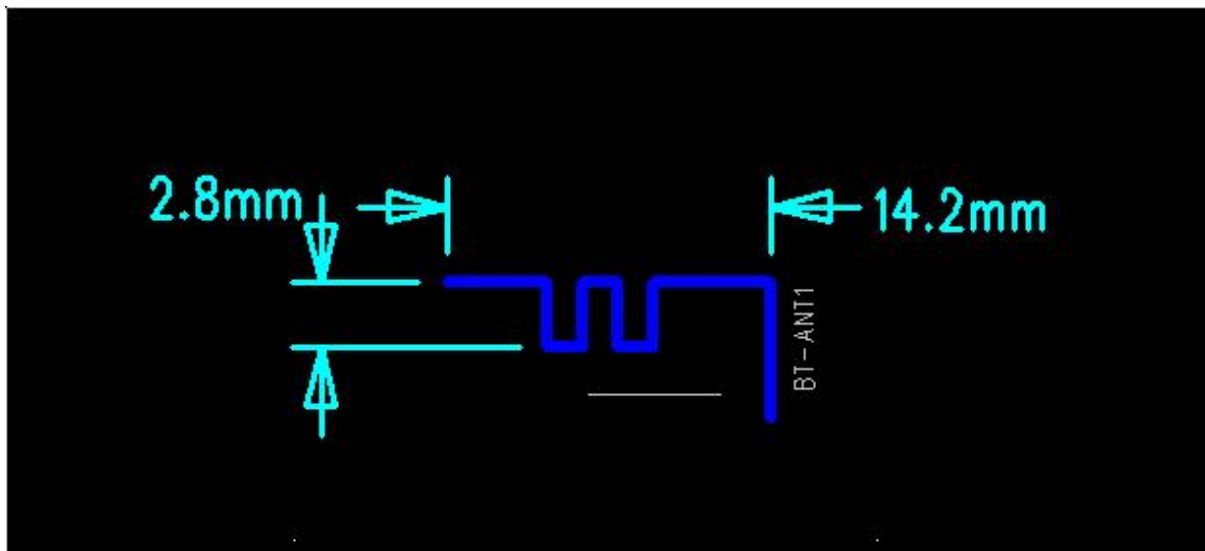


Inverted F Antenna Specification

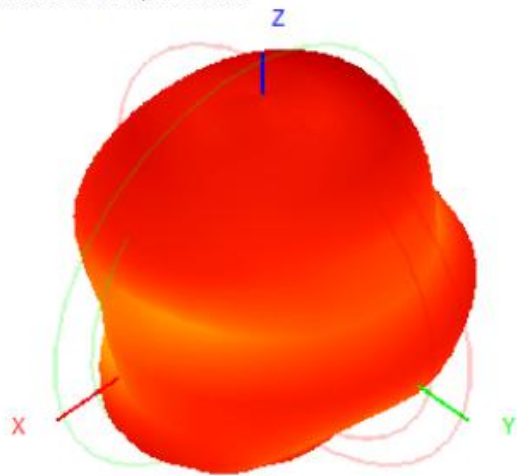
Summary

ITEM	ANT SPEC					
Model Name	2.4G ANT					
Center Frequency	Horizontal			Vertical		
	2400MHz	2400MHz	2500MHz	2400MHz	2400MHz	2500MHz
	-1.79	-1.80	-3.03	-2.51	-1.35	-2.75
Gain	-1.35dBi					
Polarization	Horizontal and Vertical					
Azimuth Beam Pattern	Omni-directional					
Impedance	50 Ohm					
Antenna Length	14.2mm					
Manufacture	Shantou Chaoyang District Ruoxin Trading Co., Ltd					

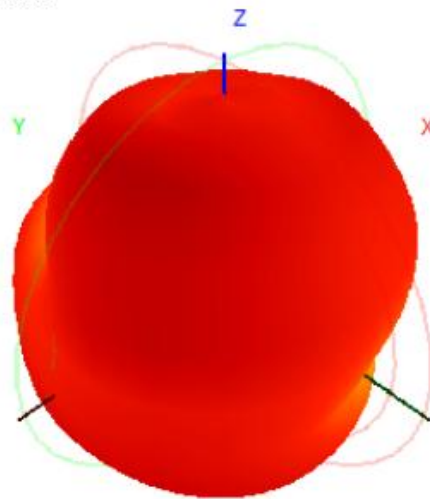
Antenna Photo & Length (mm)



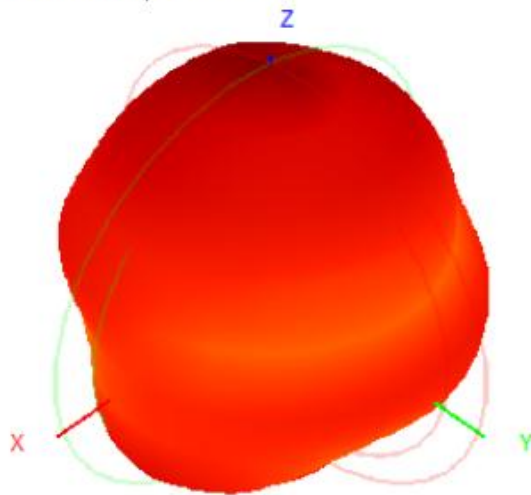
2400.0MHz H+V, Eff. 21.3%



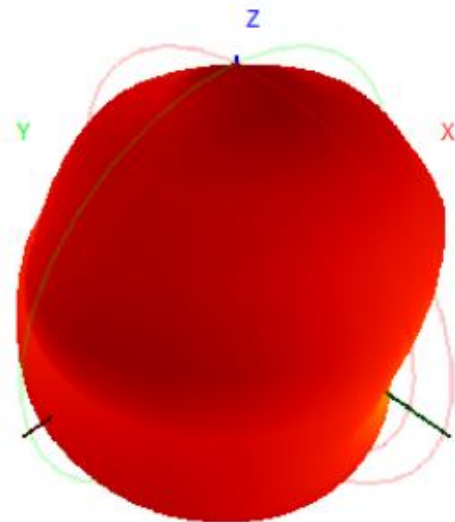
Back View



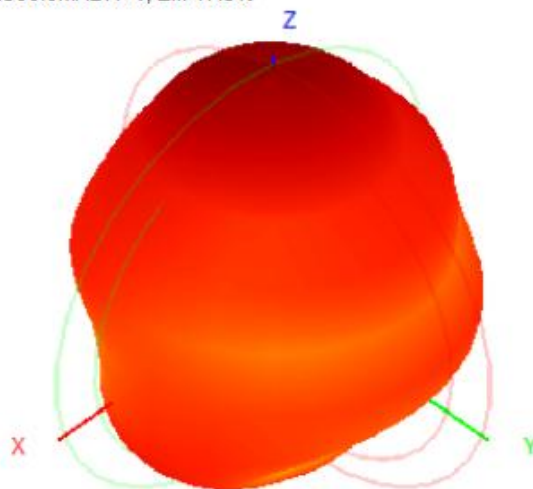
2450.0MHz H+V, Eff. 29.8%



Back View



2500.0MHz H+V, Eff. 17.5%



Back View

