

## WARNING

These products may represent a possible shock or fire hazard if improperly installed or attached in any way. Products should be installed in accordance with these instructions, current electrical codes, and/or the current National Electric Code (NEC).

## WARNING

To reduce the risk of fire, electric shock or injury to persons, make sure that the electrical power to the system is disconnected at the source prior to installation or any servicing.

## WARNING

Caution: Injury to persons and damage to the fixture and/or mounting surface may result if the fixture is pulled from the surface. To reduce the likelihood of such injury or damage, mount on a surface that is mechanically sound.

## IMPORTANT SAFETY INFORMATION

- Read all instructions before beginning. Save these instructions for future use.
- To reduce the risk of fire, electric shock, or injury to persons, pay close attention to this manual and stay within its guidelines when using this product.
- **CAUTION:** To reduce the risk of electric shock or injuries to persons, use only insulated staples or plastic ties to secure cords and only route/secure cords so that they will not be pinched or damaged when the cabinet is pushed to the wall.
- **CAUTION:** To reduce the risk of electric shock or injuries to persons, do not operate fixture with missing or damaged lens or wiring compartment cover.
- **WARNING! CAUTION - RISK OF FIRE:** Keep fixtures away from curtains and other combustible materials.
- Suitable for indoor dry locations only. AC 100-240V 50/60Hz
- LEDs are bright! Do not look directly at LED light source.
- Do not touch LEDs.
- There are no serviceable parts inside the LED module.
- The National Electrical Code (NEC) does not permit cords to be concealed where damage to insulation may go unnoticed.
- For cleaning, use a soft, dry or damp cloth. Do not use harsh chemicals or abrasives.
- This product is not suitable for use in dimming circuits. Do not use it with any dimmers.

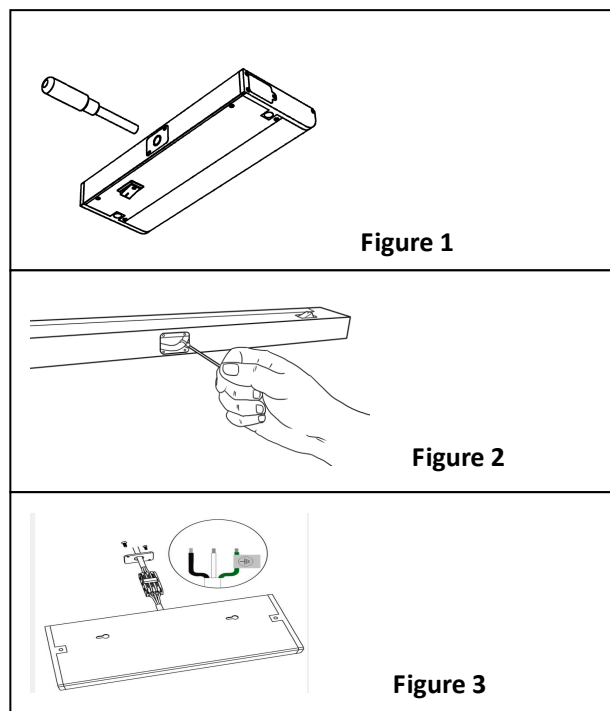
## PRE-INSTALLATIONS NOTES:

FixtureSmart Fixtures can be hardwired directly via knockouts located on the rear of the fixture

## CONNECTING POWER VIA SUPPLY WIRES THROUGH THE BACK COVER

There are knockouts located along the back side of the fixture. Wires can be accessed from the back cover of the fixture.

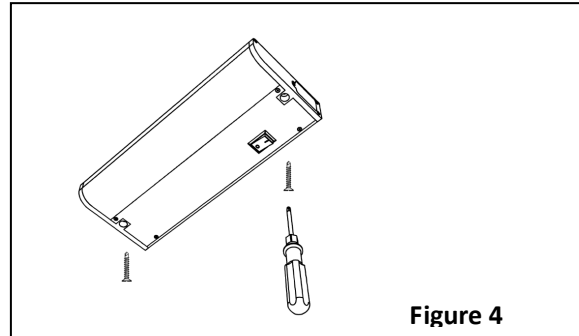
1. Unlock the back cover by a screwdriver. See Figure 1
2. Pull out the wires. See Figure 2
3. Connect the wires, matching the polarity. (Black-Black=hot, White-White=Neutral, Green - Bare wire=Ground) through the cover. See Figure 3
4. Lock the cover again



## Mounting FixtureSmart

1. Determine locations for each fixture. Connect supply wires via cover before mounting
2. Use a Philips head screwdriver or driver bit to tighten captive mounting screws and secure fixture to an appropriate mounting surface.

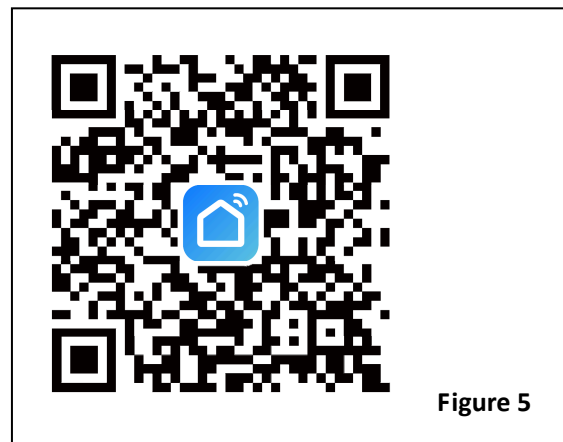
See Figure 4



## Operate FixtureSmart

Operate FixtureSmart by App.

1. To download the App, search "Smart Life" in any App store or scan the QR code. See Figure 5
2. Install the App to your Smart phone
3. Register and login your account
4. Set FixtureSmart into pairing mode.
5. Tap "add device" to add FixtureSmart to Smart Life App



This device complies with Part 15 of the FCC Rules. Operation is subject to the following two conditions: (1) this device may not cause harmful interference, and (2) this device must accept any interference received, including interference that may cause undesired operation

NOTE: This equipment has been tested and found to comply with the limits for a Class B digital device, pursuant to Part 15 of the FCC Rules. These limits are designed to provide reasonable protection against harmful interference in a residential installation. This equipment generates, uses and can radiate radio frequency energy and, if not installed and used in accordance with the instructions, may cause harmful interference to radio communications. However, there is no guarantee that interference will not occur in a particular installation.

If this equipment does cause harmful interference to radio or television reception, which can be determined by turning the equipment off and on, the user is encouraged to try to correct the interference by one or more of the following measures:

- Reorient or relocate the receiving antenna.
- Increase the separation between the equipment and receiver.
- Connect the equipment into an outlet on a circuit different from that to which the receiver is connected.
- Consult the dealer or an experienced radio/TV technician for help.

Warning: changes or modifications not expressly approved by the party responsible for compliance could void the user's authority to operate the equipment

#### Radiation Exposure Statement

This equipment complies with FCC radiation exposure limits set forth for an uncontrolled environment.

This equipment should be installed and operated with minimum distance 20cm between the radiator and your body.