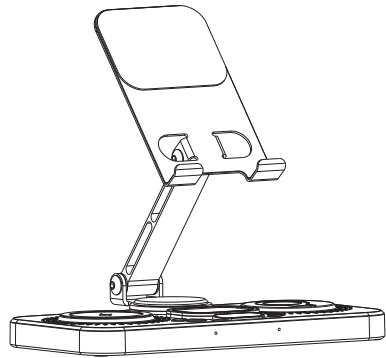


6合1无线充电



Y21是一款六合一旋转无线充电器，可以支持所有无线充电功能的手机，苹果1-9代手表，AirPods2.3.4.5代，和其它具有无线充电功能的耳机 Type-c输出 可以支持IPAD10W有线充电或者其他电子设备有线充电。

充电介绍

适用手机: 苹果12.13.14.15或以上机型或具有无线充电功能的手机

适用耳机: AirPods2.3.4.5.代和其他无线充电耳机

适用手表: 支持苹果1-9代手表无线充电

Type-c输出: 可以支持IPAD10W有线充电或者其他电子设备有线充电。

其他功能: 具有24小时制时钟功能和七彩氛围灯功能

产品参数

产品型号: Y21

输入: 9V/3A

输出type-c: 10W

C口输出功率: 10W

耳机输出功率: 3W

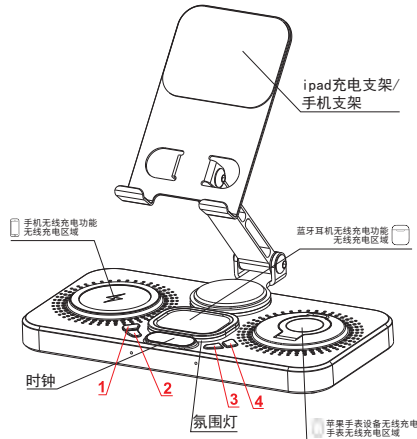
手表输出功率: 2.5W

手机输出功率: 5W/7.5W/10W/15W

工作频率: 115-205kHz

接收距离: 0-8mm

转换效率: ≥75%



时钟与氛围灯按键功能

1键短按调整时钟显示亮度, 分别为3挡(最亮), 2挡, 1挡(最暗), 关闭(上电后或唤醒默认最3挡); 长按进入设置, 设置状态短按切换功能, 切换顺序是: 小时→分钟→退出, 长按退出设置, 如15秒未操作, 则退出设置回到正常工作模式. 切断电源采用电池供电时, 工作在低功耗模式, 仅维持时间走动, 不做显示.

2键 设置状态下上调数值.

3键 设置状态下下调数值.

4键 氛围灯7种颜色, 按一下变一种颜色, 第8下关灯.

指示灯模

待机: 红灯常亮

上电: 红绿灯闪两下

充电: 绿灯常亮

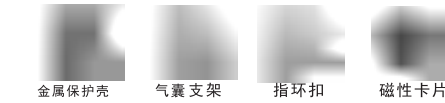
异物检测: 红灯闪烁

注意事项

1. 请使用20W以上功率的适配器进行供电 (QC3.0或PD20W以上) 否则可能引起充电不稳定



2. 请勿将金属物品, 磁性材料靠近充电区域, 否则可能引起损坏或充电不工作



3. 充电过程中如遇接收线圈或发射面板过热导致停止充电, 请取下充电产品, 待冷却后, 重新尝试充电

4. 当出现异常, 指示灯会出现闪烁, 自动保护

安全须知

1. 请勿强制拉扯电源线, 避免电源线断裂或脱落

2. 请勿自行拆卸主机或投入火中, 水中, 避免造成短路漏电

3. 请勿在严重高温, 潮湿, 或腐蚀性环境下使用, 避免损坏电路

产品售后指南

感谢您购买我公司的无线充电器, 为了确保您得到可靠的售后服务, 请认真阅读以下保修说明

保修范围

产品在使用过程中出现不能正常使用或正常使用时出现故障, 并经过我司认定后可享受我司的售后服务承诺, 以下情况不在保修范围内

1. 配件不保修
2. 因用户操作不当导致的故障
3. 人为损坏, 自行拆卸

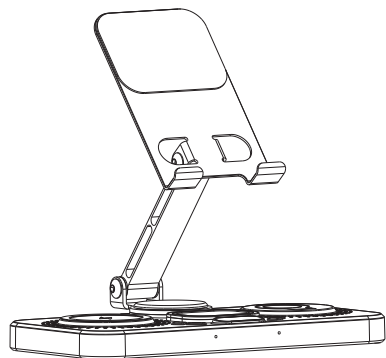
超期维修

产品超过保修期, 客户仍享受保修服务, 但需要缴纳维修工本费, 材料费

三包凭证

	用户信息
	姓名: _____ 电话: _____
	邮箱: _____ 邮编: _____
地址: _____	
销售商信息	
购买商店: _____ 电话: _____	
发票单号: _____ 日期: _____	
地址: _____	

6-IN-1 wireless charging



Y21 is a 6-in-1 rotary wireless charger that can support all wireless charging functions of the mobile phone, Apple Watches 1-9, AirPods 2.3.4.5, and other headphones with wireless charging Type-c output can support IPAD10W wired charging or other electronic devices wired charging.

Charging introduction

Applicable phone: Apple 12.13.14.15 or above model or have none Line charging function of the phone

Applicable headphones: Airpods 2.3.4.5. generation and other wireless charging headphones

Applicable watch: Support Apple 1-9 generation watch wireless charging Type-c output: can support IPAD10W wired charging or other His electronics are wired.

Other functions: With 24-hour clock function and colorful atmosphere light function

Product parameter

Product model: Y21

Input: 9V/3A

Out type-c: 10W

Output: Earphone: 3W

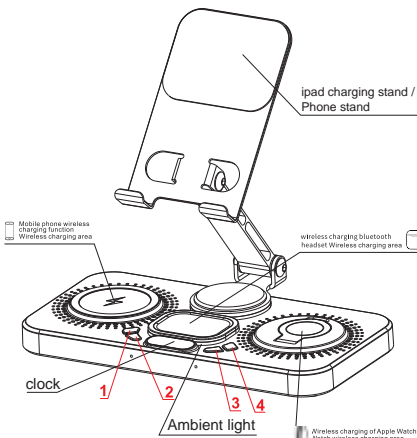
Watch: 2.5W

Phone: 5W/7.5W/10W/15W

Operating frequency: 115-205kHz

Receiving distance: 0-8mm

Conversion efficiency: ≥75%



Clock with atmosphere light button function

1 key short press to adjust the brightness of the clock display, which is 3 gears (brightest) respectively. 2nd gear, 1st gear (darkest), off (default 3rd gear after power on or wake up); Long press to enter the setting, and short press the switching function to switch the sequence. Yes: hours → minutes → exit, press and hold to exit the setting, if it is not 15 seconds. Operation, then exit the setting and return to the normal working mode. Cut off the power supply. When it is powered by battery, it works in low power consumption mode and only lasts for time. Walk around without showing. The value is raised in the state of 2-key setting.

The value is lowered in the 3-key setting state.

4-key atmosphere light 7 colors, click to change a color, Turn off the lights at the eighth.

Indicator module

Standby: The indicator is steady red

Power on: The traffic light blinks twice

Charging: The green light is on

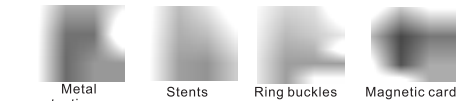
Foreign object detection: The red light blinks

Matters needing attention

1. Please use the adapter with more than 20W power for power supply (QC3.0 or PD20W or more). Otherwise, it may cause unstable charging



2. Do not put metal objects or magnetic materials near the charging area, otherwise it may cause damage or damage Charging not working



3. If the receiving coil or transmitting panel overheat during charging stops charging, please take off the charge Electric products, after cooling, try to charge again.

4. When there is any abnormality, the indicator light will blink, automatic protection

Safety instructions

1. Do not force the power cord to avoid breaking or falling off
2. Please do not disassemble the main engine or put it into fire or water to avoid short circuit and leakage
3. Do not use in severe high temperature, humidity, or corrosive environment to avoid damage to the circuit

Product After-sale Guide

Thank you for purchasing our wireless charger. In order to ensure that you can get reliable after-sales service, Please read the following warranty instructions carefully

The warranty scope

The product can not be used normally in the process of use or failure occurs during normal use After our company confirmed that we can enjoy our after-sales service commitment, the following circumstances are not within the scope of warranty

1. No warranty for accessories
2. Failure caused by improper user operation
3. Manmade damage, self-disassembly,

Extended maintenance

If the product is beyond the warranty period, customers still enjoy the warranty service, but they need to pay the maintenance cost. Cost of raw materials

Three Guarantees Certificate

	User Info
	Name: _____ phone: _____
	mailbox: _____ Postcode: _____
address: _____	
Seller Information	
Buy store: _____ Tel: _____	
Invoice number: _____	
date: _____	
address: _____	

This device complies with Part 15 of the FCC Rules. Operation is subject to the following two conditions: (1) this device may not cause harmful interference, and (2) this device must accept any interference received, including interference that may cause undesired operation

NOTE: This equipment has been tested and found to comply with the limits for a Class B digital device, pursuant to Part 15 of the FCC Rules. These limits are designed to provide reasonable protection against harmful interference in a residential installation. This equipment generates, uses and can radiate radio frequency energy and, if not installed and used in accordance with the instructions, may cause harmful interference to radio communications. However, there is no guarantee that interference will not occur in a particular installation.

If this equipment does cause harmful interference to radio or television reception, which can be determined by turning the equipment off and on, the user is encouraged to try to correct the interference by one or more of the following measures:

- Reorient or relocate the receiving antenna.
- Increase the separation between the equipment and receiver.
- Connect the equipment into an outlet on a circuit different from that to which the receiver is connected.
- Consult the dealer or an experienced radio/TV technician for help.

Warning: changes or modifications not expressly approved by the party responsible for compliance could void the user's authority to operate the equipment

Radiation Exposure Statement

This equipment complies with FCC radiation exposure limits set forth for an uncontrolled environment.

This equipment should be installed and operated with minimum distance 20cm between the radiator and your body.