

User manual

---

**MINI PC**



## **Hello, dear users!**

First of all, thank you for your trust in us, and finally choose and purchase our products. In the vast sea of people, we met and formed a transaction, which gave us the most precious trust, which we are deeply honored and cherish!

If you are satisfied with our products, please share them with your relatives and friends. At the same time, please pay attention to whether there are any activities related to free gifts in the homepage of the purchased products on the sales platform. We sincerely look forward to your participation.

We regard your evaluation as the life of the sustainable development of the enterprise! If you have any questions about our products or need for help, please contact us as soon as possible according to our published telephone, wechat or online customer service, so that we can have the opportunity to provide you with timely and effective help, and then give us a good comment, we will be very grateful for your tolerance and support!



## Notice before use



### Product Precautions

- 1.** This low-power RF motor is a certified product. Without permission, the company, merchants or individuals are not allowed to change the frequency, increase the power or change the design characteristics and functions.
- 2.** The use of low frequency RF motor shall not affect flight safety and interfere with legitimate communications; When interference is found, it should be stopped immediately and improved until no interference can continue to use. Lawful communication means wireless communication at work as required by law. Low frequency radiofrequency motors shall be capable of manual lawful communication or interference by electrical equipment of radiofrequency for industrial, scientific and medical purposes.
- 3.** This product contains motherboard CMOS micro battery, do not replace yourself; If you replace the battery with an incorrect model, it may be dangerous. Please dispose of the replaced battery properly.



### Precautions for Use

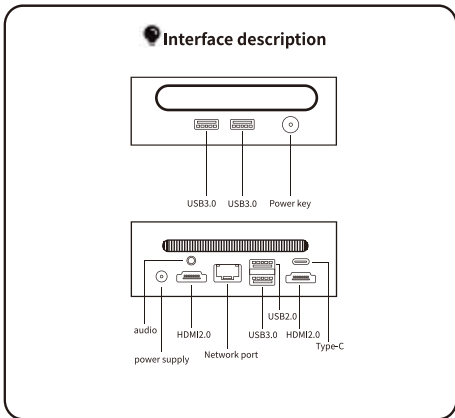
The Company shall not be liable for the loss or deletion of in-flight data caused by unusual software and hardware operation, maintenance or other unexpected circumstances, and shall not be liable for other losses caused by this market.

- 1.** Please backup your important data at any time to avoid loss.
- 2.** Please do not disassemble the machine by yourself, otherwise the warranty rights will be lost.
- 3.** The product user manual and related software are updated at any time without prior notice. In case of any discrepancy between the product user manual and the product user manual, please refer to the actual product.
- 4.** If the wrong charger is used, it may cause explosion danger. Please use the original charger.

- 5.** This product is suitable for the place below 3000 meters above sea level. This product is only suitable for non-tropical areas.
- 6.** If the mini host system exits abnormally or power fails unexpectedly, scan the disk as soon as possible to rectify the error.
- 7.** If the mini host is not used for a long time, switch the main power switch.
- 8.** The ideal working temperature of mini host is 10~35 degrees, and the relative humidity is 30%~80%.
- 9.** Do not turn on and off the mini host frequently. The interval between two startup times should be at least 10 seconds, preferably not less than 60 seconds.
- 10.** Do not put water, food and other liquids on the mini host, and do not pull the HDMI cable and power cord.
- 11.** Pay attention to dust, avoid strong light shining directly on the mini host, and do not get close to strong magnetic field.

## Operating Instructions

1. Connect the device to the display device (such as TV, screen, projector, etc.) through the HDMI cable, and select the "Video input source" of the display device to the connected HDMI input channel.
2. DC power supply: Connect the DC connector of the power cable of the accessory to the device, and directly connect the other end to the socket.
3. Connect a wired or wireless keyboard and mouse with a USB port.
4. Press the power button to start the system.
5. Clear CMOS: Do not connect the power adapter, use the tool to hold down the button in the hole for 3 seconds, BIOS Settings will be restored to the default value.





## Warm Tips

### **How to avoid the 'rogue software' to your Internet troubles?**

1. You must pay attention to some plug-ins in the process of installing some software, if you do not need to use some plug-ins do not select the installation;
2. When browsing some websites, sometimes the dialog box "Do you want to install xxxx" will pop up. Before you are not sure what the source of the software to be installed is, it is best to click "no".

### **How to avoid the 'rogue software' to your Internet troubles?**

1. You must pay attention to some plug-ins in the process of installing some software, if you do not need to use some plug-ins do not select the installation;
2. When browsing some websites, sometimes the dialog box "Do you want to install xxxx" will pop up. Before you are not sure what the source of the software to be installed is, it is best to click "no".

### **To ensure smooth and secure transactions on your network:**

1. Online payment In order to effectively reduce such risks, it is recommended to ensure that you have installed and enabled genuine anti-virus software and Microsoft internet Firewall. It is necessary to periodically check whether the above software has been updated to the latest version.
2. UPDATE the windows operating system, install patches, square foot system vulnerabilities, periodically update the system or timely install patches;
3. Install genuine anti-virus software and ensure that it is regularly upgraded.
4. Log in to the official website and pay attention to the website address to avoid the threat of logging in to the clone website;
5. Install the certificate and set the long and bit password. You are advised to use various installation authentication tools provided by the bank.



### **To prevent thunderstorms from harming your computer:**

Thunderstorm or thunder weather, if you do not close the computer, at the same time unplug the power cord, network cable, and so on often cause motherboard, network adapter, and other devices damage, serious will burn the computer components, bring you greater loss; During thunderstorms or typhoons, please avoid using computers or other electronic devices for safety



## Warranty service mode



### Warranty service mod

Product online technical support services

1. Users can dial the national service hotline
2. Users can add a professional and technical communication group (you can see the relevant group number in the platform or details page) to communicate with other customers about the problems they encounter.
3. Contact the platform customer service, and our online technical service staff will provide technical support for you.



### Product inspection and maintenance services

If the user encounters problems that cannot be solved by the above technical support services, the machine can be expressed to the computer manufacturer's service center, where engineers will carry out testing and repair services for the machine.

1. Please back up the data in the storage device before sending it for repair. We are only responsible for this

Testing and maintenance, the company is not responsible for the loss of data caused by any factors during the repair process, please understand and support!

2. For computers that have exceeded the scope of free maintenance, relevant testing and maintenance fees will be charged. For computers that have exceeded the free warranty period, users who do not agree to repair the computers for some reason after the engineer's testing quotation must pay the testing fees.

Note: No matter how you seek for technical support services, please clearly inform us of the product model, product serial number, platform where the product is purchased, purchase time, and detailed fault symptoms so that engineers can accurately and quickly identify the cause of the fault.

3. Address of the service center: Please contact customer service or sales personnel of the platform to obtain the address.



## **FCC Statement**

This equipment has been tested and found to comply with the limits for a Class B digital device, pursuant to part 15 of the FCC Rules. These limits are designed to provide reasonable protection against harmful interference in a residential installation. This equipment generates, uses and can radiate radio frequency energy and, if not installed and used in accordance with the instructions, may cause harmful interference to radio communications. However, there is no guarantee that interference will not occur in a particular installation.

If this equipment does cause harmful interference to radio or television reception, which can be determined by turning the equipment off and on, the user is encouraged to try to correct the interference by one or more of the following measures:

- Reorient or relocate the receiving antenna.
- Increase the separation between the equipment and receiver.
- Connect the equipment into an outlet on a circuit different from that to which the receiver is connected.
- Consult the dealer or an experienced radio/ TV technician for help.

This device complies with part 15 of the FCC Rules. Operation is subject to the following two conditions: (1) This device may not cause harmful interference, and (2) this device must accept any interference received, including interference that may cause undesired operation.

## **Caution**

Any changes or modifications not expressly approved by the party responsible for compliance could void the user's authority to operate the equipment

## **FCC Radiation Exposure Statement**

This equipment must be installed and operated in accordance with provided instructions and the antenna(s) used for this transmitter must be installed to provide a separation distance of at least 20 cm from all persons and must not be co-located or operating in conjunction with any other antenna or transmitter.

End-users and installers must be provide with antenna installation instructions and transmitter operating conditions for satisfying RF exposure com.