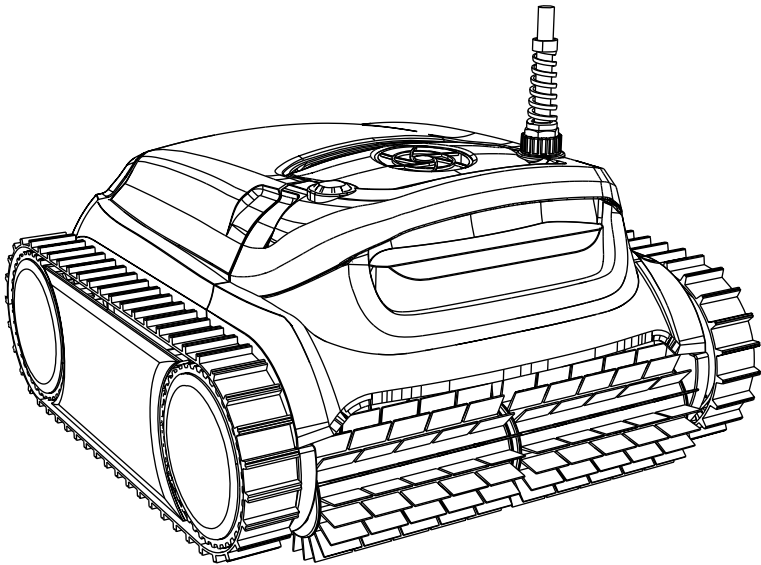


EN



AUTOMATIC SWIMMING POOL CLEANER User Manual

WY350



**READ AND KEEP THESE INSTRUCTIONS FOR FUTURE
REFERENCE**

Thank you for purchasing WYBOTICS Robotic Pool Cleaner. If you have any question or issue, please contact us for customer service.

CONTENTS

Important Safety Instructions.....	01
1. Brief introduction to product	03
2. Packing List	04
3. Schematic diagram of product	05
4. Specifications and parameters	06
5. Instructions for use.....	07
LIMITED WARRANTY.....	15



Important Safety Instructions

1. When the cleaner is placed on shore or is taken out from the pool, please make sure to turn off the power supply, otherwise it will easily cause serious damage to the cleaner.
2. The power cord of the cleaner must be plugged into the socket with leakage protection device. No one is allowed to enter the swimming pool when the cleaner is working, so as to avoid danger and injury.
3. When putting the cleaner into the swimming pool or take it out from the swimming pool, you must hold the handle. Do not pull the cable. Before starting the cleaner every time, exhaust the gas in the machine as much as possible (there is no bubbles or the machine completely sinks to the bottom of the pool), so as to avoid the gas affecting the normal operation of the cleaner.
4. Before starting the cleaner, it must be confirmed that the cable is completely relaxed, so as to avoid cable entanglement during work, which will affect the cleaning effect of the cleaner. In serious cases, it may cause damage to the cleaner.
5. Clean the filter basket in time after each use of the cleaner, so as not to affect the work of the cleaner due to excessive dirt in the filter basket.
6. When the cleaner is not in use, please store the cleaner in a cool and ventilated place indoors. Avoid direct sunlight.
7. When the cleaner is working, the power supply control box should be placed in the shade. Do not place or cover anything on the power supply control box to prevent damage to the internal electrical components due to overheating.

8. Non-professionals shall not disassemble the main machine body of the cleaner and the power supply control box at will, to avoid danger or avoid damage to the cleaner.
9. To prevent accidents, it is recommended that the power supply box should be connected to the fixtures beside the pool with safety ropes before use.
10. It is strictly forbidden to use this machine beyond its operating conditions. Please read this user manual carefully before using the machine.
11. Ensure that the PH value of the water of the swimming pool is 7.0-7.2.
12. It is forbidden to put water treatment chemicals into the machine, to use the machine for chemical distributing. If the machine is damaged for this reason, the manufacturer is not responsible for the warranty.

1. Brief introduction to product

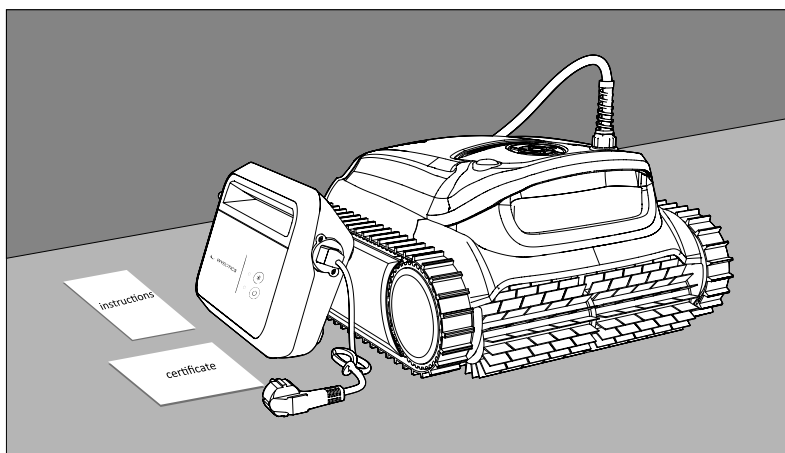
WY350 is a high-end series product, which integrates the most advanced technology of swimming pool cleaning robot, including sensor integration, intelligent path planning, self-adaption to swimming pool, super obstacle-surmounting capacity, high-efficiency dirt suction, remote control and upgrade functions. It is suitable for large/medium swimming pools. The machine has strong climbing function and can work flexibly in swimming pools made of PVC, ceramic tiles, cement and other materials. The machine is equipped with 3-motor drive system, it can easily solve the problem of line winding. The machine is equipped with high-precision gyroscope, infrared, and it adopts multi-sensor integration algorithm. It can provide the optimal path planning according to the shape and size of the swimming pool to achieve efficient and high-quality cleaning effect.

The main machine body is powered by low-voltage DC 28V power supply, it has high safety and reliability.

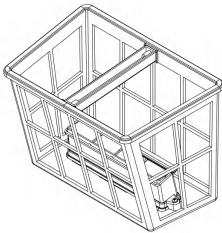
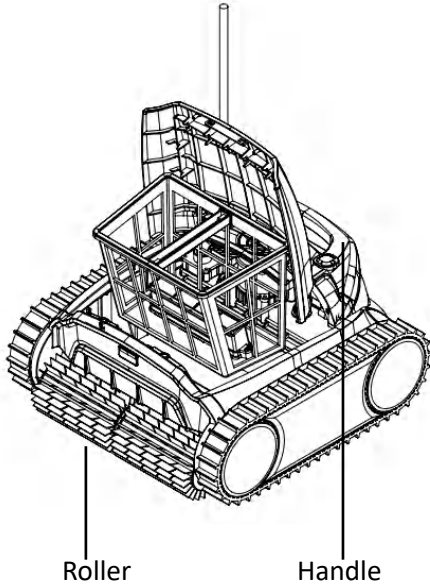
Before using this product, please read the manual carefully so that you can use this machine correctly.

2. Packing List

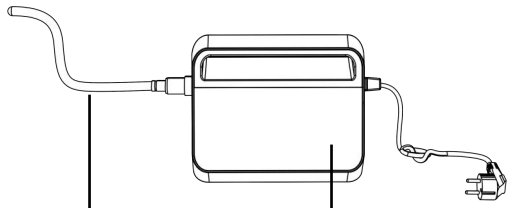
S/N	Name	Specifications	Quantity (pieces)
1	Main machine body of the cleaner	WY350	1
2	Power supply box	Power I 130	1
3	User Manual		1
4	Quick guide manual		1
5	Certificates of conformity		1



3. Schematic diagram of product



Filter basket



Swivel Floating Cord

Power Supply Unit

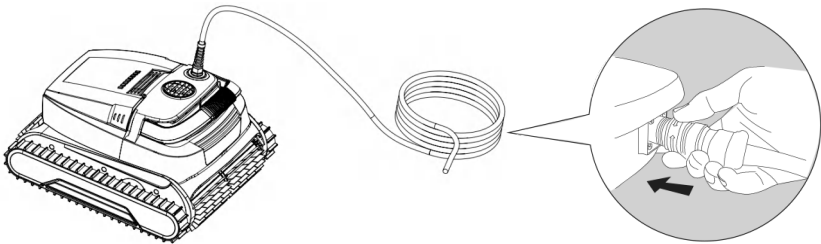
4. Specifications and parameters

1. Model	WY350
2. Rated input voltage	100~240VAC, 50Hz/60Hz
3. Rated output voltage	DC 28V
4. Rated power	100W
5. Working modes	Pool bottom mode/wall mode/whole pool mode/waterline mode
6. Cable length	18m
7. Filtration volume	About 15m ³ /h
8. Filter density	180μm
9. Maximum cleaning area	Up to 1399sq. ft(130m ²)
10. Waterproof level	Cleaner IPX8, power supply box IPX5
11. Pool water temperature	50 °F -95 °F (10~+35°C)
12. Creeping speed	11m/min~16m/min
13. Product size	L460mm*W440mm*H245mm
14. Weight	Main machine body 9.5Kg±0.1Kg
15. Storage condition	41 °F -95 °F (5°C -35°C), RH≤75%

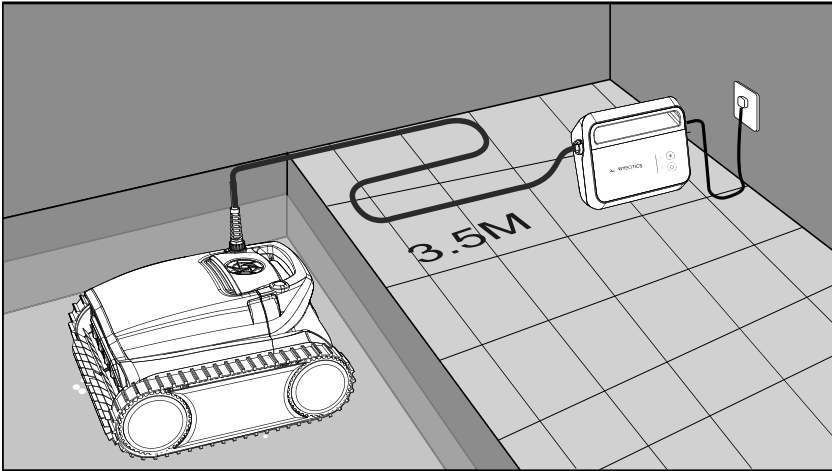
5. Instructions for use

5.1 Setup

- a. Attach the blue cable to the power supply by inserting it with the notch on the connector, lined up to the groove in the socket on the power supply, turn it clockwise.

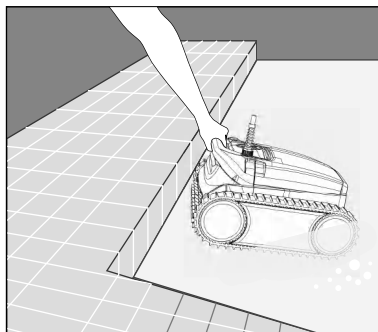


- b. The power supply control box must be placed in a suitable position to ensure that the cleaner can reach every corner of the swimming pool. At the same time, the position of the power supply control box should not be less than 3.5 meters from the edges of the swimming pool.

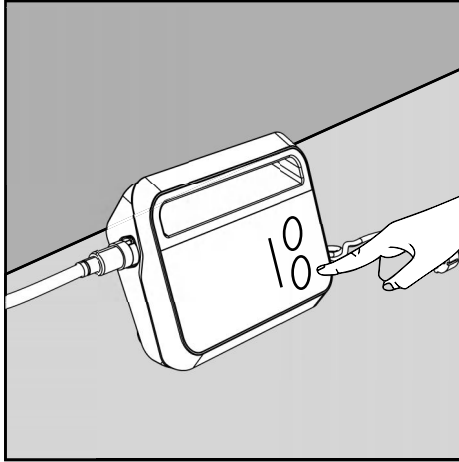


5.2 When putting the cleaner into the swimming pool, the bottom of the cleaner shall face the pool wall

- a. Hold the handle and put the cleaner into the water. And the cleaner will slowly discharge the gas (the gas in the cleaner must be completely discharged, otherwise it will affect the normal operation of the machine). Make the machine naturally sinks to the bottom of the pool.



- b. Turn the power supply on, wait for 15 seconds, the robot will begin working.



5.3 Acquisition of mobile App and connection

5.3.1 Scan the QR code to download the APP



5.3.2 Download the App in app store

1. In case of Android phones, search google play for WYBOT, and download it.
2. In case of iPhone, searches the app store for WYBOT, download it.

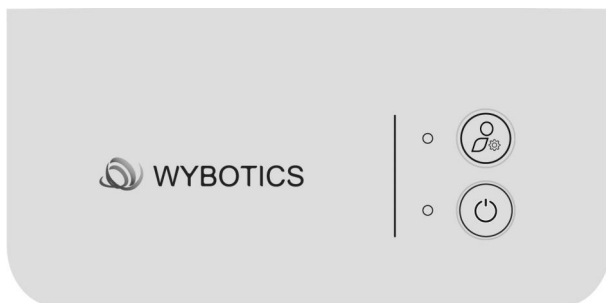
5.3.3 After the connection between the APP and the machine is successful, the APP will give a "Success" prompt

5.3.4 After entering the APP interface, the parameters of the current machine will be displayed, and users can modify the parameters according to their own demands in cleaning

Note:

1. When using App, it needs to obtain Bluetooth use permission and location permission of the mobile phone.
2. App is suitable for ios14 and above, and Android 8.0 and above.
3. To obtain weather information in APP, you need to turn on Location service.

5.4 Switch button and indicator



5.4.1 Power button: press it long: start-up/shutdown

Press it short: (after startup) standby/automatic operation.

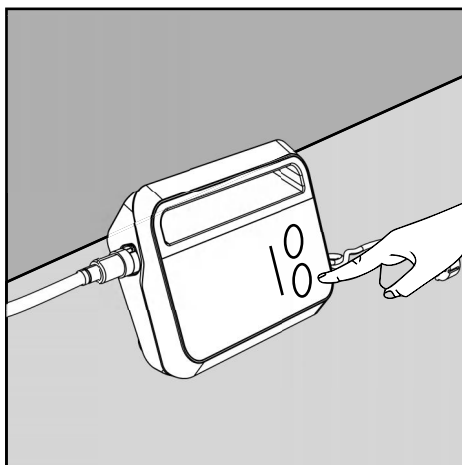
Optional Configuration button: it is used with APP, the default function is WIFI configuration. Press the button long, and the function will take effect. And connect with the Bluetooth according to the user name and password sent by APP.

5.4.2 State of indicator lights

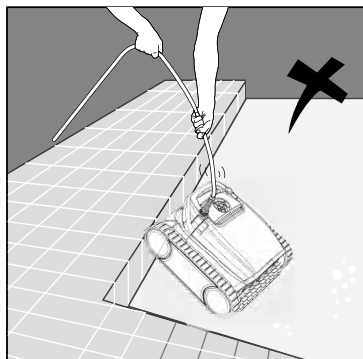
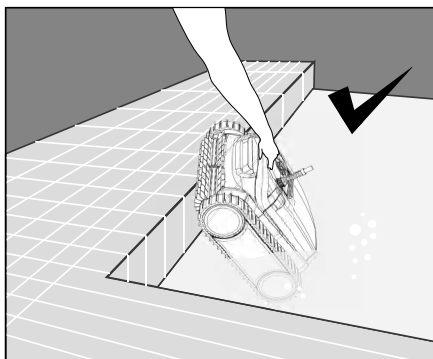
State of indicator lights	Description
Two lights are ON and OFF once at the same time	After the power supply supplies electricity, perform it once
The Configurable indicator light is always on	The Bluetooth connection with the power supply box is successful, and when the indicator light goes out, it indicate that Bluetooth is not connected
The power supply indicator is always on	The power supply box outputs normally and the machine underwater is in running state
The power supply indicator light flashes	The power supply box outputs normally and the underwater machine is in standby state
The Configurable indicator light and the power supply indicator light flash at the same time	Alarm for overload of the power supply box

5.5 Remove the pool cleaner from the water

- a. Turn off the power supply.

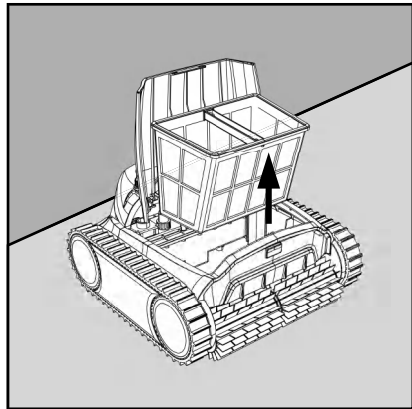
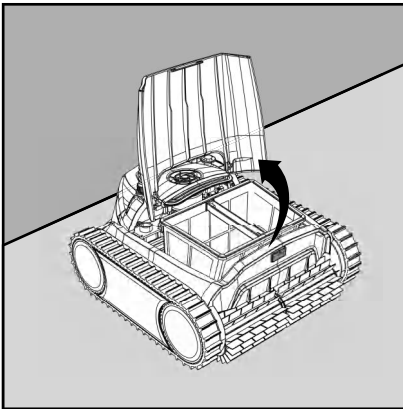
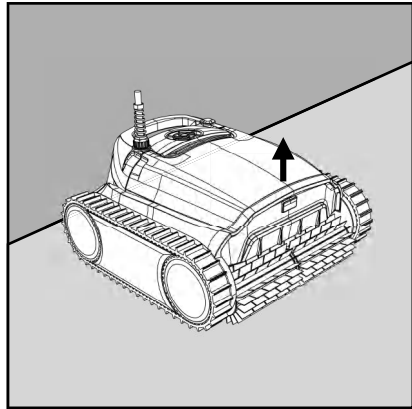
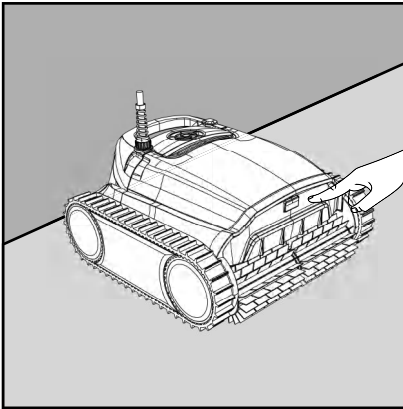


- b. When taking out the cleaner from the pool, you only can hold the handle, do not pull the cable.

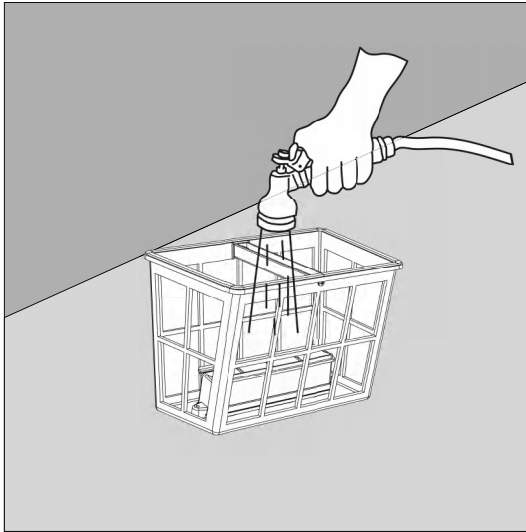


5.5 Clean the filter

- a. After cleaning is completed, take out the cleaner from the swimming pool, press the button at the tail, the upper cover will automatically bounce off, lift the upper cover, take out the filter basket, pour out the sundries inside it.



b. Clean the filter basket.



c. Re-install the filter basket.

Pay attention to the installation position and close the top cover.

LIMITED WARRANTY

WYBOTICS ROBOT, owned by WYBOTICS CO., LTD, makes products at the best quality we can offer. All WYBOTICS products have been inspected against defects in materials and workmanship prior to leaving factory. WYBOTICS is happy to offer warranty for the repair or replacement of pool products for two (2) years on motor and PCB from the date of purchase. The provisions of this Limited Warranty only apply to the original purchaser. Please keep your original sales receipt, as this proof of purchase will be required and must accompany warranty claims to WYBOTICS or its designated agents. This Limited Warranty does not apply without proof of purchase; or should the purchaser modify or repair the product themselves or by unauthorized people; use non-WYBOTICS parts or accessories with the product; use the product in contravention of the manufacturer's instructions; use improper voltage; abuse the product in any way; or through accident or negligence. This Limited Warranty will not cover consequential damages, including claims for normal wear-and-tea or any Act of God outside the control of WYBOTICS. Non-manufacturing defects, such as grasses that may grow through the ground cloth and/or pool liner are examples of which WYBOTICS cannot hold responsible for.

IN NO EVENT SHALL WYBOTICS, ITS AUTHORIZED AGENTS, RELATED ENTITIES, OR EMPLOYEES BE LIABLE TO THE BUYER OR ANY OTHER PARTY FOR DIRECT OR CONSEQUENTIAL DAMAGES. Some states or countries, or other jurisdictions, do not allow the exclusion or limitation of incidental or consequential damages, so the above limitation or exclusion may not apply to you.

This Limited Warranty is not extended to close-outs, factory seconds, or resold products (i.e., garage sales, online auctions, or online retailers not purchased directly from WYBOTICS). Any issue with items purchased from these types of vendors/sellers will need to be addressed through these stores.

FCC Caution:

This device complies with part 15 of the FCC Rules. Operation is subject to the following two conditions:(1) this device may not cause harmful interference, and (2) this device must accept any interference received, including interference that may cause undesired operation.

Any changes or modifications not expressly approved by the party responsible for compliance could void the user's authority to operate the equipment.

NOTE: This equipment has been tested and found to comply with the limits for a Class B digital device, pursuant to Part 15 of the FCC Rules. These limits are designed to provide reasonable protection against harmful interference in a residential installation. This equipment generates, uses and can radiate radio frequency energy and, if not installed and used in accordance with the instructions, may cause harmful interference to radio communications. However, there is no guarantee that interference will not occur in a particular installation.

If this equipment does cause harmful interference to radio or television reception, which can be determined by turning the equipment off and on, the user is encouraged to try to correct the interference by one or more of the following measures:

- Reorient or relocate the receiving antenna.
- Increase the separation between the equipment and receiver.
- Connect the equipment into an outlet on a circuit different from that to which the receiver is connected.
- Consult the dealer or an experienced radio/TV technician for help.

To maintain compliance with FCC's RF Exposure guidelines, This equipment should be installed and operated with minimum distance between 20cm the radiator your body:
Use only the supplied antenna.

