

# Product Specification



规格编号	20220914008
生效日期	2022/9/14

客户名称	Dongguan Jiajiatong Plastic Mould Co., Ltd
产品类型	Apple Watch Coil
辉博雅料号	HBV20220914008- Watch Soft Magnetic Coil 3300 Gauss L=10.5MM
客户料号	

【新版发行, 版本修订】 【本规范含目录共 3页】 【RoHS Compliant Parts】

编制	审核	批准
刘峰丽	肖树芳	朱辉

## Anfu County Hui Minya Electronics Co., Ltd

Factory address: Jiangxi Province Anfu County Xuefu Spring  
Beside Hui Minya Electronics Co., Ltd  
telephone: 13576651594

本承诺书在客户收到30天内, 请务必签章返回, 逾期视为生产时按此承诺书的标准执行。

### 【客户核准】

日期:

承认状态: 完全承认 条件承认 拒绝承认

批准	审核	复检	检查

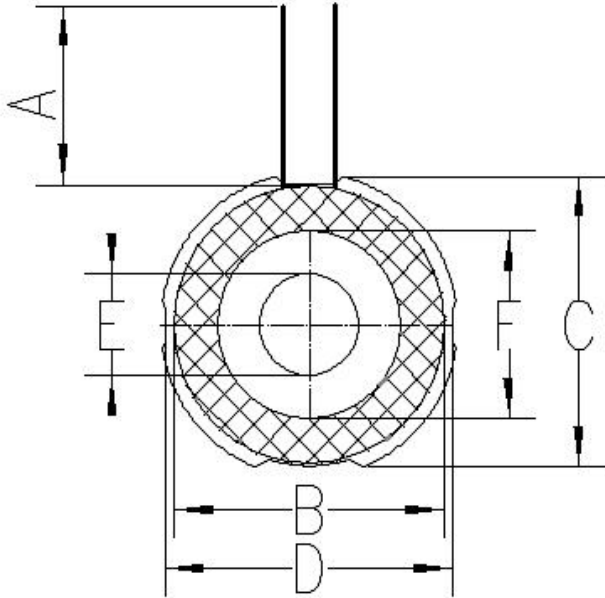
# Product Specification

Customer Name	Dongguan Jiajiatong Plastic Mould Co., Ltd	Customer P/N	
Huimin Ya part number	HBV20220914008- Watch Soft Magnetic Coil 3300 Gauss L=10.5MM	Specification No	20220914008
发行/修订记录			
版本	生效日期	变更内容/原因	核准
01	2022--9-14	新规格发行	
编制		审核	批准
刘峰丽		肖树芳	朱辉

# Product Specification

Customer Name	Dongguan Jiajiatong Plastic Mould Co., Ltd	Customer P/N			
Huimin Ya part number	HBY20220914008- Watch Soft Magnetic Coil 3300 Gauss L=10.5MM	Specification No	20220914008	version	01

**External dimensions**



(单位: mm)

A	10.5 ±1.0
B	20.1 ±1.0
C	22.5 ±0.5
D	24.5 ±1.0
E	7.5 *2.2
F	13.5 ±1.0
I	2.5 ±1.0
(1) Wire diameter: 0.08 * 24P wrapped wire	
(2) Number of coils wound: 14TS	
(3) Does the starting and ending lines intersect?	
(4) The coil and magnetic sheet need to be pasted in the center	
(5) Magnetic backing 19mm round 3M adhesive	

**Electrical characteristics**

parameter	specifications	Test conditions	testing instrument
L0	8.1 ±0.2% μH	100KHz/1V	■TH1816B
Q	>30 min	100KHz/1V	■TH1816B
DCR	<50 mΩ	@ 25°C	■CH-502BC

**Temperature rating**

operate temperature	-40°C~ 125°C
---------------------	--------------

**Bill of Material:**

Serial Number	Product Name	Material specifications	supplier	notes
1	magnetic sheet	24.5 * 22.5 * 2.5 Soft Magnetic		PC95 Manganese Zinc
2	copper wire	0.08*24		Copper coated wire
3	Magnet Gauss	3200-3300 Gauss		Environmentally friendly tape
4	tin	107H		Qiandao Environmental Protection Tin

5	glue	Customized white glue				Environmentally friendly adhesive			
6	glue	<b>3M adhesive</b>				environmental protection			
编制			审核			批准			
刘峰丽			肖树芳			朱辉			