

Antenna Datasheet

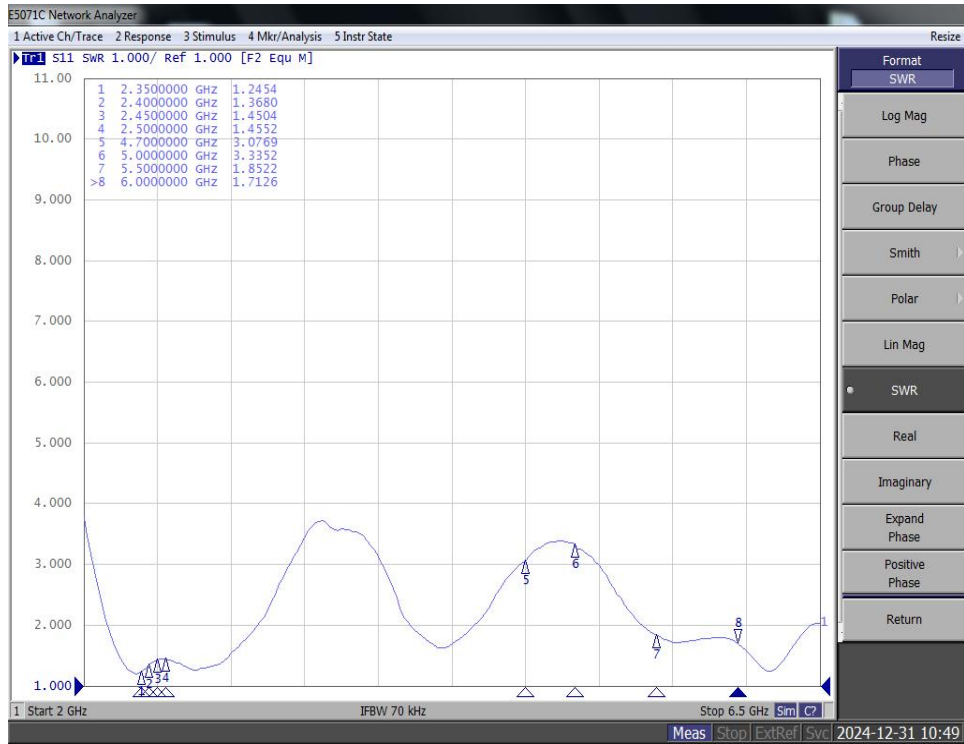
Product Name: WIFI Whip Mount External Dipole Antenna

Key Features:

Frequency Band: 2400–2500 MHz, 5150–5875 MHz

S-Parameter Test---wifi

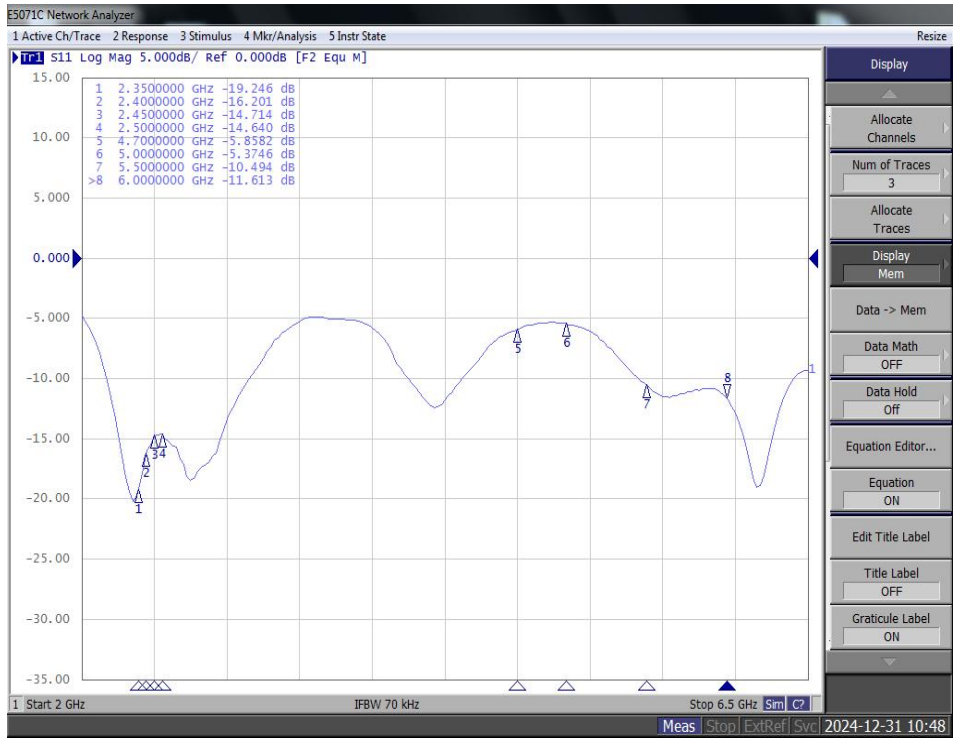
VSWR



VSWR

Frequency (MHz)	2350	2400	2450	2500	4700	5000
Bent	1.2	1.3	1.4	1.4	3	3.3
Frequency (MHz)	5500	6000				
Bent	1.8	1.7				

Return Loss



Return Loss (dB)

Frequency (MHz)	2350	2400	2450	2500	4700	5000
Bent	-19.3	-16.2	-14.7	-14.6	-5.8	-5.4
Frequency (MHz)	5500	6000				
Bent	-10.5	-11				

Efficiency (%)

Frequency (MHz)	2350	2400	2450	2500	4700	5000
Bent	67.3	67.14	66.22	66.53	59.7	49.2
Frequency (MHz)	5500	6000				
Bent	62.5	54.3				

Gain (dB)

Frequency (MHz)	2350	2400	2450	2500	4700	5000
Bent	2.52	2.66	2.33	2.71	1.9	1.16
Frequency (MHz)	5500	6000				
Bent	2.01	1.41				

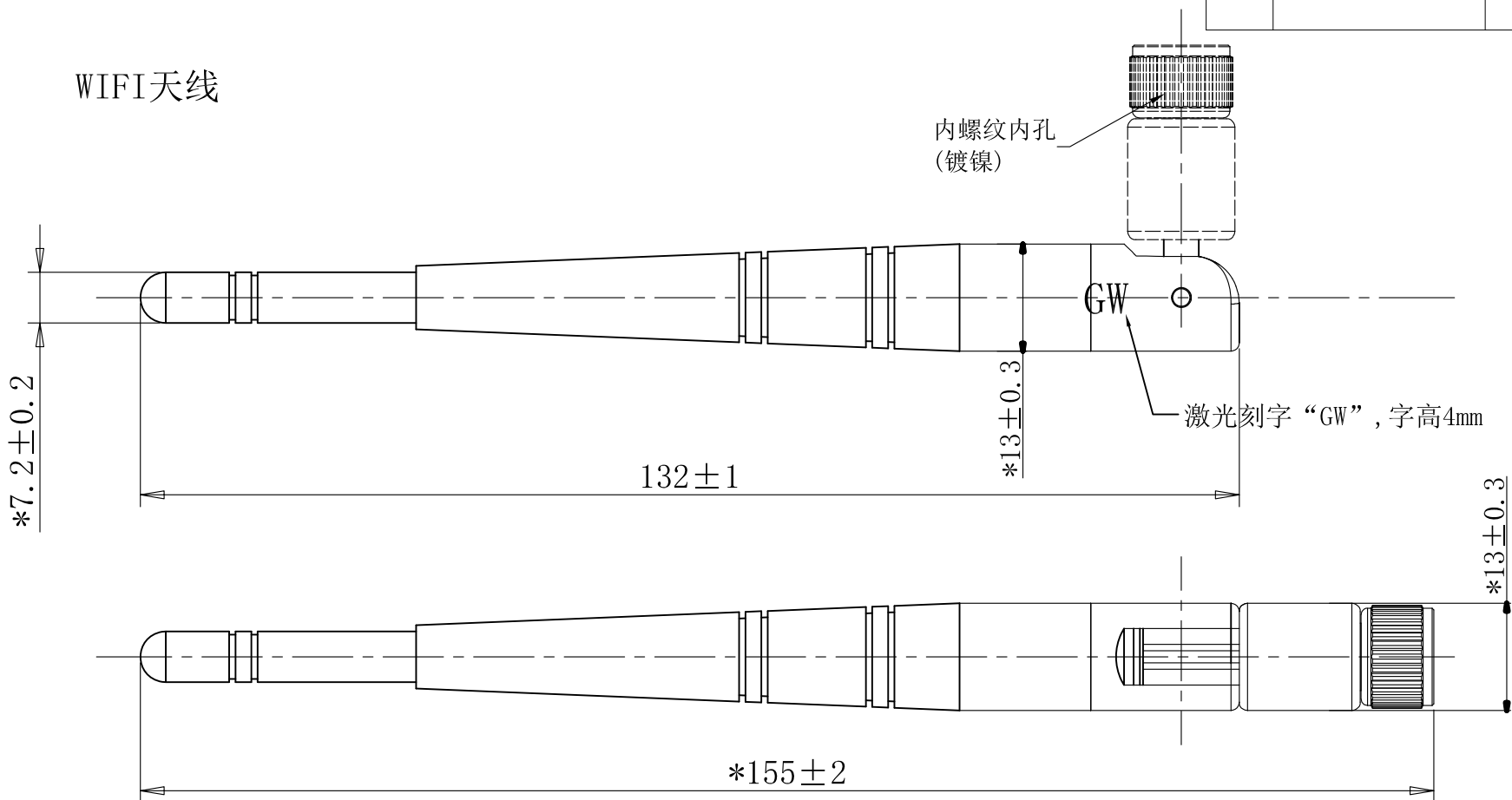
Freq	Efficien cy_dB	Gain	Efficien cy (%)	4890	-2.9	1.13	51.29	5450	-2.14	2.12	61.09
2300	-1.93	2.35	64.12	4900	-2.95	1.09	50.70	5460	-2.02	2.18	62.81
2310	-1.98	2.41	63.39	4910	-3.08	1.08	49.20	5470	-1.93	2.31	64.12
2320	-1.87	2.56	65.01	4920	-3.25	1.02	47.32	5480	-1.99	2.47	63.24
2330	-1.78	2.7	66.37	4930	-3.22	1.13	47.64	5490	-2.11	1.99	61.52
2340	-1.7	2.54	67.61	4940	-3.17	1.32	48.19	5500	-2.04	2.01	62.52
2350	-1.72	2.52	67.30	4950	-3.12	1.41	48.75	5510	-2.22	2.04	59.98
2360	-1.8	2.57	66.07	4960	-3.05	1.27	49.55	5520	-2.15	2.07	60.95
2370	-1.91	2.51	64.42	4970	-3.19	0.93	47.97	5530	-2.1	2.27	61.66
2380	-1.75	2.67	66.83	4980	-3.27	0.92	47.10	5540	-2.1	2.22	61.66
2390	-1.77	2.69	66.53	4990	-3.24	0.95	47.42	5550	-2.12	2.57	61.38
2400	-1.73	2.66	67.14	5000	-3.08	1.16	49.20	5560	-2.16	2.61	60.81
2410	-1.82	2.45	65.77	5010	-3.02	1.09	49.89	5570	-2.18	2.66	60.53
2420	-1.8	2.28	66.07	5020	-3.04	1.26	49.66	5580	-2.12	2.53	61.38
2430	-1.84	2.37	65.46	5030	-3.16	1.41	48.31	5590	-1.78	2.84	66.37
2440	-1.86	2.43	65.16	5040	-3.14	1.55	48.53	5600	-1.93	2.57	64.12
2450	-1.79	2.33	66.22	5050	-3.06	1.53	49.43	5610	-1.93	2.83	64.12
2460	-1.9	2.1	64.57	5060	-2.87	1.51	51.64	5620	-2.08	2.54	61.94
2470	-1.92	2.17	64.27	5070	-3.04	1.56	49.66	5630	-2.02	2.69	62.81
2480	-1.94	2.43	63.97	5080	-3.11	1.68	48.87	5640	-1.89	2.73	64.71
2490	-1.78	2.77	66.37	5090	-3.02	2.09	49.89	5650	-1.64	2.98	68.55
2500	-1.77	2.71	66.53	5100	-2.95	1.52	50.70	5660	-1.72	3	67.30
2510	-1.75	2.53	66.83	5110	-2.97	1.44	50.47	5670	-1.66	3.13	68.23
2520	-1.71	2.5	67.45	5120	-2.98	1.37	50.35	5680	-1.69	2.99	67.76
2530	-1.69	2.65	67.76	5130	-3.17	1.29	48.19	5690	-1.57	2.88	69.66
2540	-1.67	2.82	68.08	5140	-3.24	1.89	47.42	5700	-1.3	3.22	74.13
2550	-1.68	2.79	67.92	5150	-3.27	1.94	47.10	5710	-1.37	3.15	72.95
2560	-1.69	2.55	67.76	5160	-3.25	1.63	47.32	5720	-1.45	3.48	71.61
2570	-1.82	2.3	65.77	5170	-3.17	1.21	48.19	5730	-1.4	3.24	72.44
2580	-1.86	2.32	65.16	5180	-3.31	1.13	46.67	5740	-1.62	3	68.87
2590	-1.94	2.39	63.97	5190	-3.34	1.24	46.34	5750	-1.55	3.07	69.98
2600	-1.94	2.51	63.97	5200	-3.14	1.93	48.53	5760	-1.55	2.95	69.98
4650	-2.2	1.89	60.26	5210	-3.02	1.37	49.89	5770	-1.59	3.36	69.34
4660	-2.33	1.82	58.48	5220	-2.95	1.41	50.70	5780	-1.62	3.29	68.87
4670	-2.28	1.88	59.16	5230	-2.92	1.27	51.05	5790	-1.73	3.12	67.14
4680	-2.18	1.76	60.53	5240	-3.04	1.29	49.66	5800	-1.65	3.16	68.39
4690	-2.29	1.8	59.02	5250	-3.08	1.77	49.20	5810	-1.51	3.25	70.63
4700	-2.24	1.9	59.70	5260	-3.11	1.84	48.87	5820	-1.37	3.47	72.95
4710	-2.29	2.37	59.02	5270	-3.03	1.17	49.77	5830	-1.43	3.82	71.94
4720	-2.43	2.15	57.15	5280	-3.02	1.47	49.89	5840	-1.45	3.39	71.61
4730	-2.46	1.63	56.75	5290	-2.86	1.59	51.76	5850	-1.54	3.26	70.15
4740	-2.34	1.71	58.34	5300	-2.95	1.71	50.70	5860	-1.56	3.36	69.82
4750	-2.33	1.56	58.48	5310	-2.8	1.72	52.48	5870	-1.58	3	69.50
4760	-2.35	1.8	58.21	5320	-2.72	1.64	53.46	5880	-1.67	2.81	68.08
4770	-2.53	1.65	55.85	5330	-2.78	1.28	52.72	5890	-1.74	2.43	66.99
4780	-2.47	1.22	56.62	5340	-2.77	1.35	52.84	5900	-2.11	2.27	61.52
4790	-2.41	1.26	57.41	5350	-2.78	1.17	52.72	5910	-2.39	2.06	57.68
4800	-2.45	1.31	56.89	5360	-2.75	1.6	53.09	5920	-2.16	1.89	60.81
4810	-2.71	1.3	53.58	5370	-2.66	1.89	54.20	5930	-2.22	1.82	59.98
4820	-2.69	1.43	53.83	5380	-2.58	1.62	55.21	5940	-2.33	1.95	58.48
4830	-2.76	1.22	52.97	5390	-2.61	1.67	54.83	5950	-2.48	1.64	56.49
4840	-2.74	1.26	53.21	5400	-2.42	1.83	57.28	5960	-2.54	1.72	55.72
4850	-2.69	1.19	53.83	5410	-2.3	1.79	58.88	5970	-2.59	1.58	55.08
4860	-2.76	1.43	52.97	5420	-2.22	2.32	59.98	5980	-2.55	1.73	55.59
4870	-2.83	1.8	52.12	5430	-2.19	1.95	60.39	5990	-2.59	1.69	55.08
4880	-2.91	1.4	51.17	5440	-2.28	2.03	59.16	6000	-2.65	1.41	54.33



LAB QE OQC IPQC IQC 注塑 冲压 组装

NO.	DESCRIPTION	DESIGE	DATE
A0	初步打样	ZXT	2024. 12. 31

WIFI天线



技术要求:

1. 频率: 2400~2500MHZ, 5150~5850MHZ
2. 驻波比: ≤ 2.0 ;
3. 阻抗: 50Ω ;
4. 带*尺寸为出货重点检验尺寸;
5. 外观需符合检验规范。

频率范围 MHz	2400~2500MHz, 5150~5850MHz
中心频率特性阻抗 Ω	50Ω
增益 dBi	4 dBi
反射损耗 dBi	≤ -9.5
极化方式	垂直极化
输出电压驻波比	垂直 ≤ 2
方向性	全向性
连接方式	SMA
天线本体材料	PC
工作温度	$-30^{\circ}\text{C} \sim +70^{\circ}\text{C}$
保存温度	$-30^{\circ}\text{C} \sim +70^{\circ}\text{C}$



PROJECT NAME: hive			
PRODUCT NAME: BJ0457-WIFI-棒状天线			
APPD:		HT成品码:	B. 1.01.L. 1342
CHKD:		HT半成品码:	NA
DWN:	赵西亭	客户编码:	NA
SCALE:	1:1	PAGE:	1/1
UNIT:	mm	REV:	A0
SIZE:	A4	DRWING NO:	


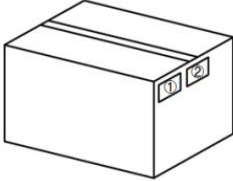
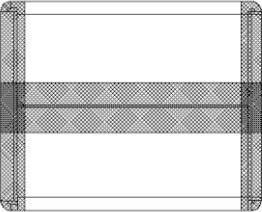
NO TOLERANCE NOTED		
ONE PLSCCE	X.X	± 0.15
TWO PLACE	X.XX	± 0.10
ANGULAR DIM X. °		$\pm 1.0^{\circ}$
HOLE DIA	X.X	± 0.10

THIS DOCUMENT IS PROPERTY OF HAITONG PRECISION TECHNOLOGY.LT IS CAN NOT BE COPIED,UPDATED AND TAKEN OUT COMPANY, UNLESS BE ALLOWED.



一般要求：
general requirements:
1. 图片说明为内箱，出货时包装方式，袋数，单袋数量等
Picture description of inner and outer boxes, packaging method during shipment, number of bags, single bag quantity, etc

2. 备注栏内填写包装所用材料名称，数量等
in the material name, quantity, etc. used for packaging in the remarks column Fill

		包装方式： Packaging method:	整装PE袋+外箱 packaged PE bag+outer box
图1: 大PE袋50 Large PE bag 50	图2: 封箱600PCS Position for Attaching Labels ① Carton Label ② Quality Label	方式 way	数量、尺寸 number、size
参考	参考	PE袋 pe bag	50PCS/袋255*225mm
		外箱 Outer box	370*270*28.5mm
图3. 贴上标签 SealingCartons “工” type sealing cartons		备注：尾数要贴尾数标签。 Note: Tail numbers should be labeled with tail number tags. （图片仅供参考，实际以出货为准） （The pictures are for reference only, actual shipment shall prevail）	
参考	存储条件： 温度：18-28° C 湿度：35%-75%RH Storage conditions: Temperature: 18-28 ° C Humidity: 35% -75% RH 存储在低温、低湿、无腐蚀性气体的环境下；打开包装后请在两周内使用完。 使用期限:6月 Store in a low-temperature, low humidity, and non corrosive gas environment; Please use up within one week after opening the packaging. Usage period: June 图片供参考，以实际量产出货为准。		

签名：林芳

日期：2024/12/31