

140 mm

Bobtot

Quick Setup Guide
K89

5.1 CHANNEL HOME THEATER SYSTEM

Scan the QR code to access how-to videos, the user's manual, and other important information you may need to get the most of your item

215 mm

P1

发行文件

Like our product?
Share your experience with our customers on your page!

Having troubles?
Contact us: support@bobtot.net

What's in the box

- *Subwoofer 1PC
- *Satellite Speakers(Center & FL & FR & SL & SR) 5PCS
- *3.5mm to RCA Audio Stereo Cable 1PC
- *TV ARC Cable 1PC
- *Optical Audio Cable 1PC
- *Remote Control 1PC
- *FM Antenna Cable 1PC
- *User Manual 1PC
- *Mounting Brackets and Screws 1SET

IMPORTANT SAFETY INSTRUCTIONS



TO REDUCE THE RISK OF ELECTRICAL SHOCK, DO NOT REMOVE AMPLIFIER PLATE. NO USER SERVICEABLE PARTS INSIDE. WE RECOMMEND TAKING THE UNIT TO A QUALIFIED SERVICE TECHNICIAN FOR ANY REPAIRS.

Read the following safety instructions before operating your home theater system.

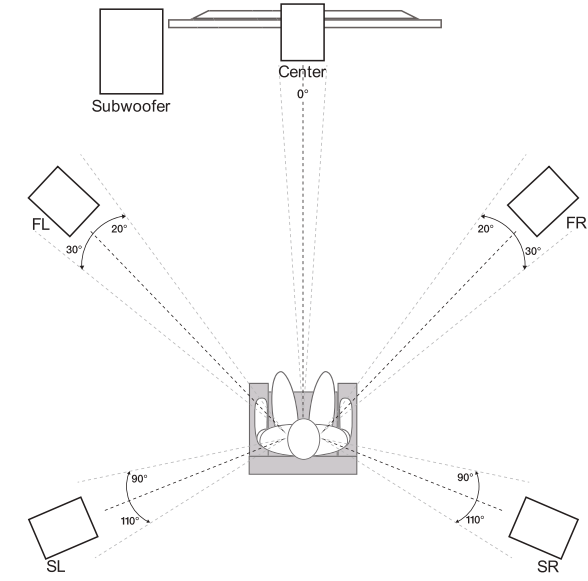
- Do not place these speakers on an unstable surface. The speaker may fall over, causing serious injury to a child or adult and serious damage to the unit.
- Do not use these speakers near water or expose them to rain or moisture.
- The speakers should be situated away from heat sources such as radiators, heat registers, stoves, or other devices that produce heat.
- Please use under specified voltage(120V/60Hz). Any other voltage than the specified voltage may cause fire or electric shock.
- To reduce the risk of electric shock or component damage, unplugged the power before moving your speakers or connecting other components to your device.
- Clean only with a soft dry cloth. Unplug the main unit from the wall outlet before cleaning.

CAUTION: Always use a power outlet that is properly grounded.

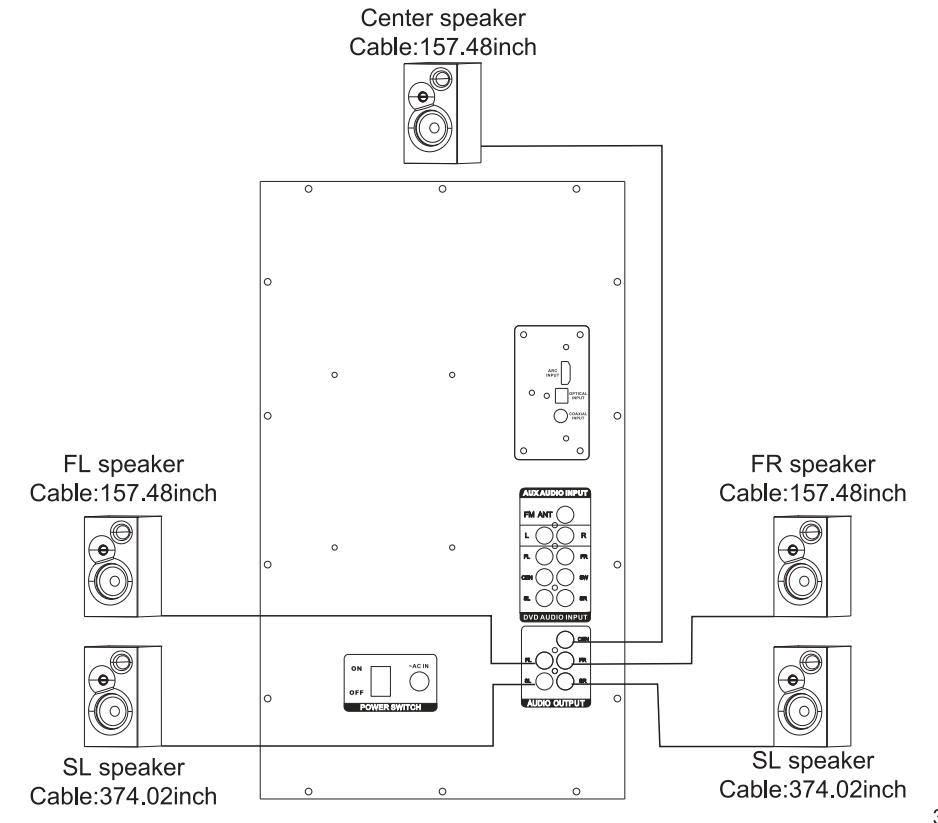
2

P2

BEST PLACEMENT FOR 5.1 Home Theater System



SET UP CENTER & FRONT & REAR SPEAKERS

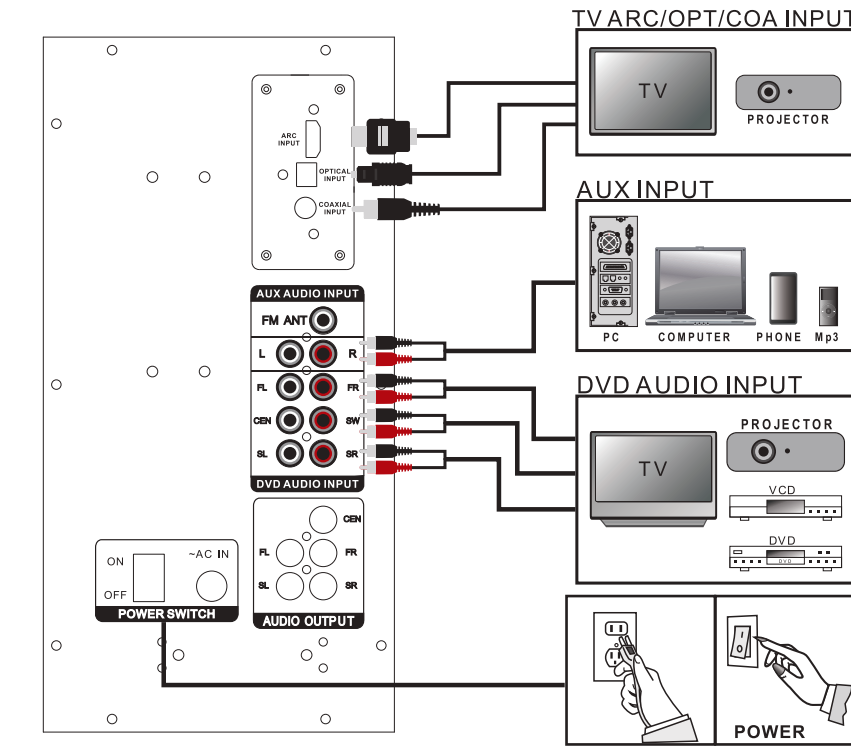


3

P3

发行文件

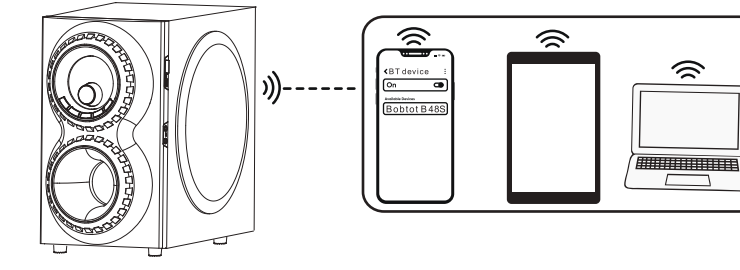
SYSTEMCONNECTION DIAGRAM



Connect the wireless BT

- Make sure the 5 satellite speakers have been plugged into the audio output of the subwoofer and are in the "Power On" status.
- Press the "ST. BY" button on the subwoofer OR press "BT" on the remote to start this system.
- Press the "INPUT" button on the subwoofer to switch mode "BT", which is showing in the LED display of the subwoofer. OR press the "BT" button on the remote.
- Search BT device with name "Bobtot K89" and tap to connect.

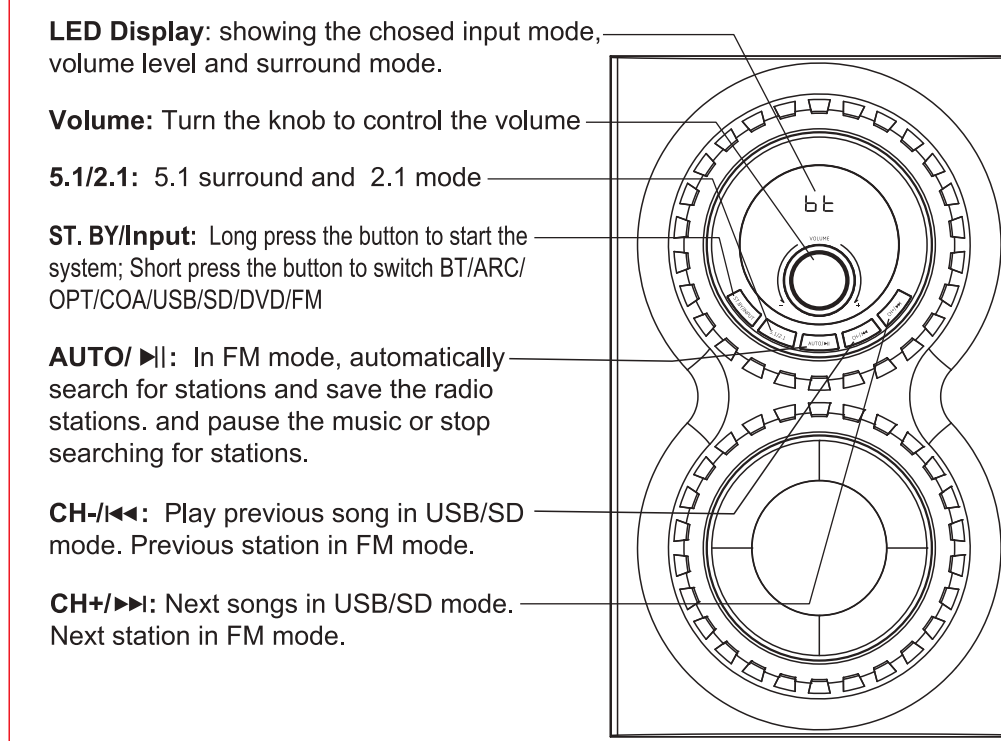
Note: If your BT device is below 2.0 version, please input password "0000" when connecting.



4

P4

FRONT PANEL OF SUBWOOFER



SD/MMC Card Input: Insert your SD/MMC card with Mp3, Mp4 to play automatically. (support 64G)

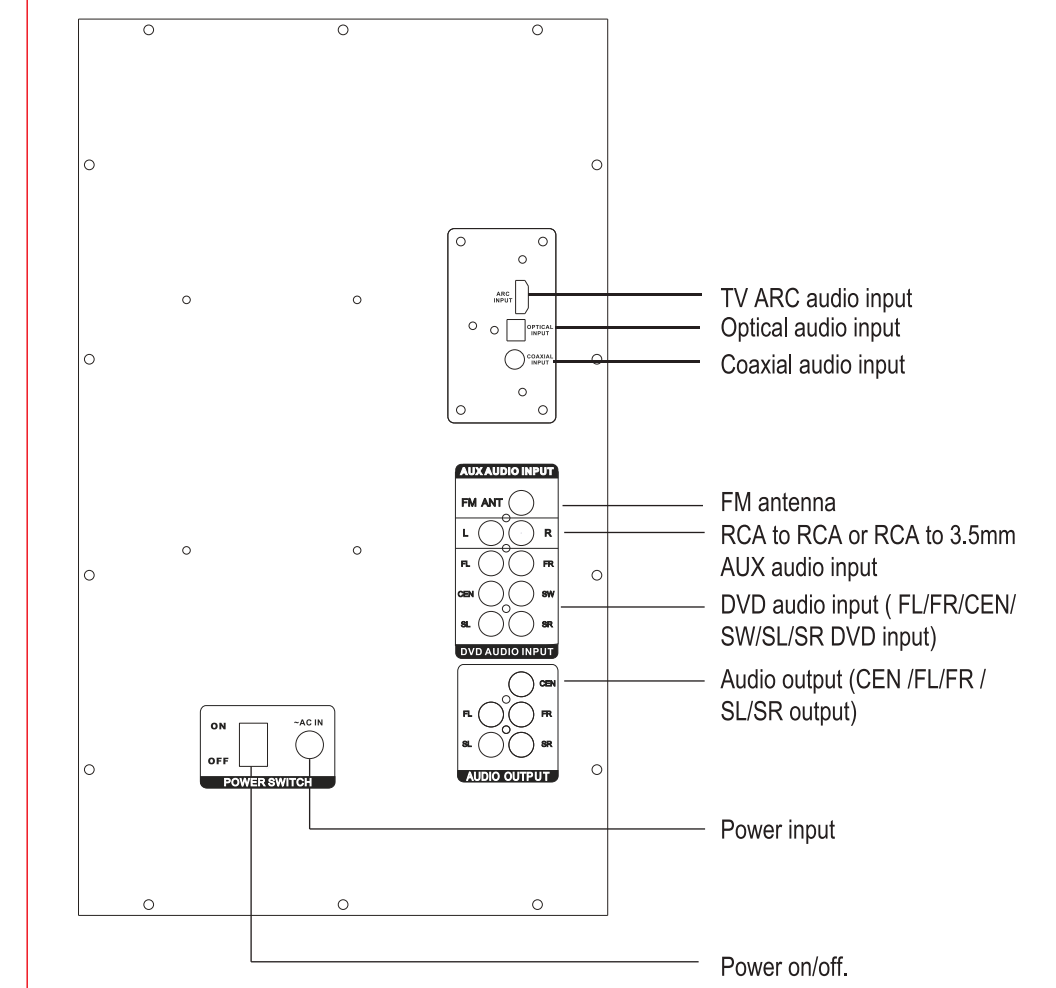
USB input, plug into your USB drive to play automatically. (support 64G)

MIC: Mic 1 & Mic 2 input

5

P5

BACK PANEL OF SUBWOOFER

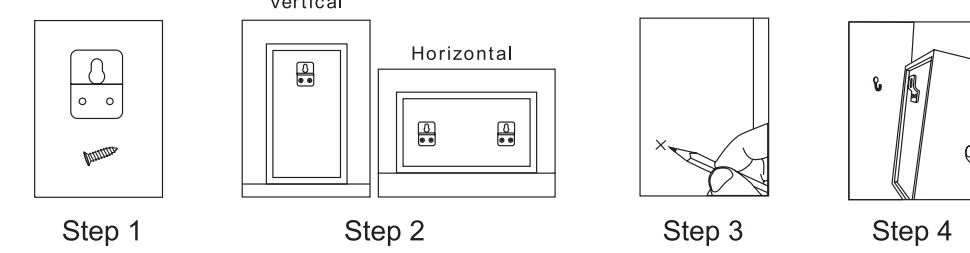


6

P6

MOUNTING INSTRUCTIONS

Mounting brackets and screws (included)
Speaker cable (built-in, included)
Wall hooks (not included)
Screwdriver (not included)



SPECIFICATIONS

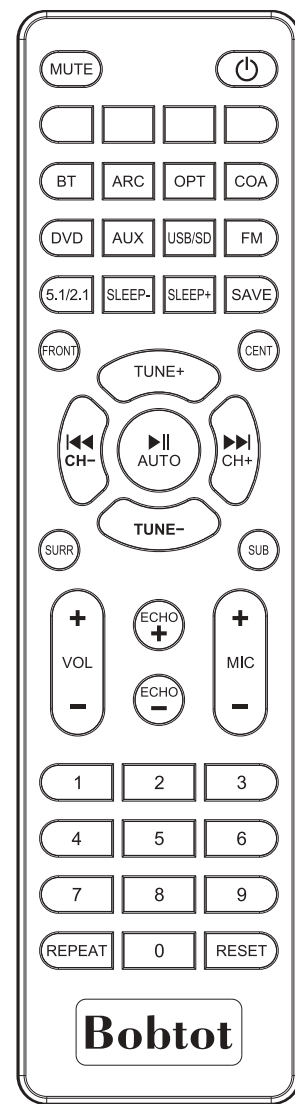
Input voltage: AC100-240V 50/60HZ
Frequency response: 20Hz-20KHZ
System impedance: 12" 4" 5+0.75" 5
Signal to noise ratio: >75dB
Subwoofer dimensions: W270 xH440 x D480mm
Center satellite speaker dimensions: W150xH262xD145mm
Front L/R satellite speaker dimensions: W150xH262xD145mm
Rear L/R satellite speaker dimensions: W150xH262xD145mm
Cable length: Front L/R: 157.48inch, Rear L/R: 374.02inch, Center: 157.48inch
Net weight: 44.53lb(20.2 Kg)

7

P7

REMOTE CONTROL FUNCTIONS

Power / Standby
MUTE: Press "MUTE" to mute all output.
BT: Press "BT" to use BT input mode. The LED Display will blink while searching for a BT device. Pair with "Bobtot K89" in your mobile device BT menu.
ARC/OPT/COA/DVD/AUX/USB/SD/FM:
Press the corresponding mode on the remote control to enter directly.
5.1/2.1: Press "5.1/2.1" to change from 2.1 to 5.1 surround sound.
SLEEP+: Set the sleep time.
SAVE: Press "SAVE" to save FM channels for memory.
TUNE+/-: Tuning the FM channels.
H4: In USB/SD mode, press to play the previous song.
CH- In FM mode, press to go to the previous radio station channel.
II: Short press to Play/Pause in BT/USB/SD mode.
AUTO Long press to search for the FM channels automatically / auto to search for the FM channels in FM mode.
CH+: In FM mode, press to go to the next radio station channel.
CH-/II: In FM mode, press to go to the next radio station channel.
FRONT: Press "FRONT" to select the front speakers, the output level can be adjusted by using the "VOL+/-" buttons.
REAR: Press "REAR" to select the rear satellite speakers, the output level can be adjusted by using the "VOL+/-" buttons.
SUBWOOFER: Press "SUB" to select the subwoofer, the output level can be adjusted by using the "VOL+/-" buttons.
VOL+/-: Adjust the main volume.
MIC+/-: Adjust the volume of microphone when plugging in the microphone. In USB/SD mode(no microphone), press to adjust EQ (1/2/3/4/5/6/7) (POP, ROCK, JAZZ, CLASSIC, COUNTRY).
ECHO+/-: Adjust the reverb when plugging in the microphone. If not plug in the microphone, press "ECHO+/-" to adjust the LED display brightness showing in the front of subwoofer.
99 NUMBER: In USB/SD mode, press the number buttons to select the desired track. In FM mode, press the number buttons to select the desired radio station.
REPEAT: Press to single loop/music/ repeat all songs/ random playback in USB/SD mode.
RESET: Press to default state.



8

P8

Connect your TV

- Plug the **TV ARC / Optical / Coaxial cable** into the audio input on the back of the subwoofer, the other port plugs into the socket of your TV.
- Make sure the 5 satellite speakers have been plugged into the audio output of the subwoofer and are in the "Power On" status.
- Press the "ST. BY" button on the subwoofer or press "BT" on the remote to start this system.
- Press the "INPUT" button on the subwoofer to switch mode "ARC/OPT/COA", which is showing in the LED display of the subwoofer, or press the "ARC/OPT/COA" button on the remote.
- TV Setting- Sound output - select your mode to "TV ARC / Optical / Coaxial"
- TV Setting- Expert Setting - Digital Output Audio Format Setting to "PCM".

Note:
1. For optical connections, please make sure the protective caps at the ends of the optical cable are removed before plugging it in.
2. The coaxial cable is not included.

Other System Connection

- For 5.1 surround sound, insert audio cables from your device into the corresponding DVD speaker sockets at the back of subwoofer. (FL/FR, CEN/SW, SL/SR input)
- For dimensional sound, you can insert the audio cable connected to the AUX port of your device into the back of subwoofer, or insert a USB flash drive into the USB socket at the front of the subwoofer, or insert an SD/MMC card into SD input at the front of subwoofer.
- For clear, stronger FM signal, insert white antenna cord into FM Antenna socket at the back of subwoofer. Press "FM" on the remote control to enter FM mode, and then press "AUTO/II" to search the stations automatically and will save the FM station automatically.
- In FM mode, semi-automatic station - searching, press "TUNE+/-" to select a station you like.
- Support microphone, only plug into the MIC 1 & 2 input and play it. Press "MIC+/-" on the remote to control the mic volume. Press "ECHO+/-" on the remote to adjust the ECHO.

9

P9

Certification

FCC Statement

This device complies with part 15 of the FCC Rules. Operation is subject to the following two conditions:
(1) This device may not cause harmful interference, and
(2) This device must accept any interference received, including interference that may cause undesired operation.

Any Changes or modifications not expressly approved by the party responsible for compliance could void the user's authority to operate the equipment.
Note: This equipment has been tested and found to comply with the limits for a Class B digital device, pursuant to part 15 of the FCC Rules. These limits are designed to provide reasonable protection against harmful interference in a residential installation. This equipment generates uses and can radiate radio frequency energy and, if not installed and used in accordance with the instructions, may cause harmful interference to radio communications. However, there is no guarantee that interference will not occur in a particular installation. If this equipment does cause harmful interference to radio or television reception, which can be determined by turning the equipment off and on, the user is encouraged to try to correct the interference by one or more of the following measures:

- Reorient or relocate the receiving antenna.
- Increase the separation between the equipment and receiver.
- Connect the equipment into an outlet on a circuit different from that to which the receiver is connected.
- Consult the dealer or an experienced radio/TV technician for help.

This equipment complies with FCC radiation exposure limits set forth for an uncontrolled environment.
This equipment should be installed and operated with minimum distance 20cm between the radiator & your body.

10

P10

Need Help ?

Customer Care Guide

At our company, we strive to provide exceptional customer care to every one of our clients. We believe that building strong relationships with our customers is essential to the success of our business. To help us achieve this goal, we have put together the following customer care guide.

Time

We understand that our customers' time is valuable, so we will respond to any inquiries within 24 hours.

Feedback

We know that our customers are the heart of our business so we value your feedback. We encourage you to share your thoughts and ideas with us.

Solutions

If our customers encounter any issues, we will try our best to find a quick and efficient solution that meets your needs. Here at Bobtot, we take customer care very seriously. Our customers are our first priority, and we are committed to providing the highest quality service. If you have any questions or concerns, please don't hesitate to reach out to us. We will be happy to assist you:
Call or Message: +1 (888) 572-1718
Email: support@bobtot.net

Bobtot

bobtot.net

© BOBTOT // Features and specifications are subject to change and/or improvement without notice.

P11

说明: 尺寸: 140x215mm
材质: 128G铜版纸 四色双面印刷 6张装订本

说明: 尺寸: 140x215mm
材质: 128G铜版纸 四色双面印刷 6张装订本

说明: 尺寸: 140x215mm
材质: 128G铜版纸 四色双面印刷 6张装订本